



US00D361315S

United States Patent [19]

[11] Patent Number: **Des. 361,315**

Wedell et al.

[45] Date of Patent: **** Aug. 15, 1995**

[54] **ELECTRICAL SURGE SUPPRESSOR**

D. 305,641	1/1990	De Luca	D13/142
3,018,350	1/1962	Jensen	439/652 X
4,569,567	2/1986	Zucchini	439/651 X
4,688,135	8/1987	Leopold	439/622 X

[75] Inventors: **Mark T. Wedell**, Germantown, Tenn.; **Kevin W. Ponds**, Olive Branch, Miss.; **Debbie M. Booth**, Memphis, Tenn.

Primary Examiner—James M. Gandy
Assistant Examiner—Joel Sincavage
Attorney, Agent, or Firm—Robert M. Rodrick; Thomas & Betts Corp.

[73] Assignee: **Thomas & Betts Corporation**, Memphis, Tenn.

[**] Term: **14 Years**

[57] **CLAIM**

[21] Appl. No.: **14,160**

The ornamental design for an electrical surge suppressor, as shown and described.

[22] Filed: **Oct. 14, 1993**

DESCRIPTION

[52] U.S. Cl. **D13/160; D13/142**

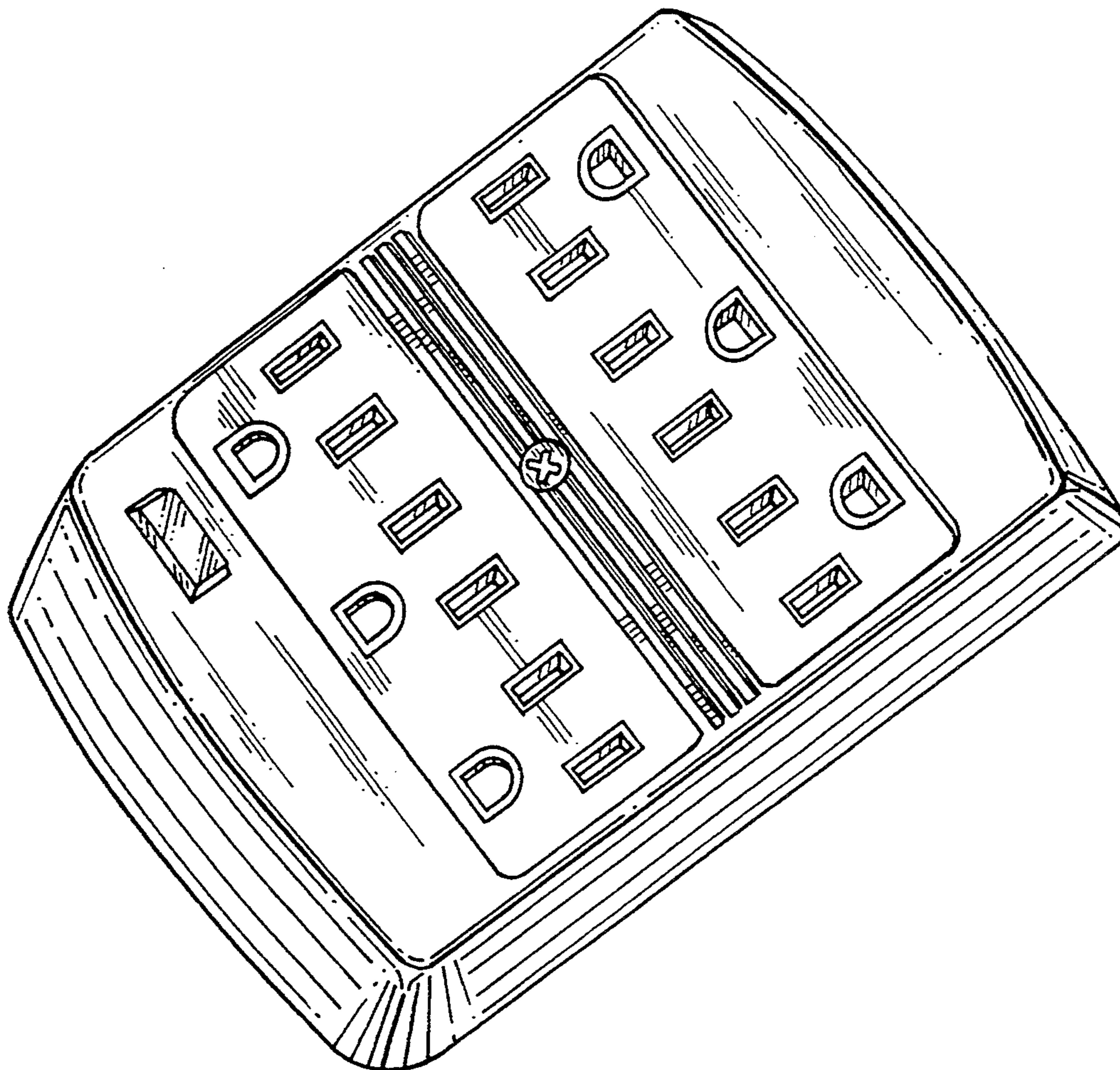
[58] Field of Search **D13/142, 143, 160; 439/650, 651, 652, 502; 361/111, 117, 118, 119**

FIG. 1 is a perspective view of the electrical surge suppressor of my new design; FIGS. 2 and 3 are right and left side plan views of the electrical surge suppressor of FIG. 1; FIGS. 4 and 5 are top and bottom plan views of the electrical surge suppressor of FIG. 1; FIGS. 6 and 7 are front and rear plan views of the electrical surge suppressor of FIG. 1.

[56] **References Cited**

U.S. PATENT DOCUMENTS

D. 284,758	7/1986	Maloney	D13/142
D. 285,788	9/1986	Rapp et al.	D13/142



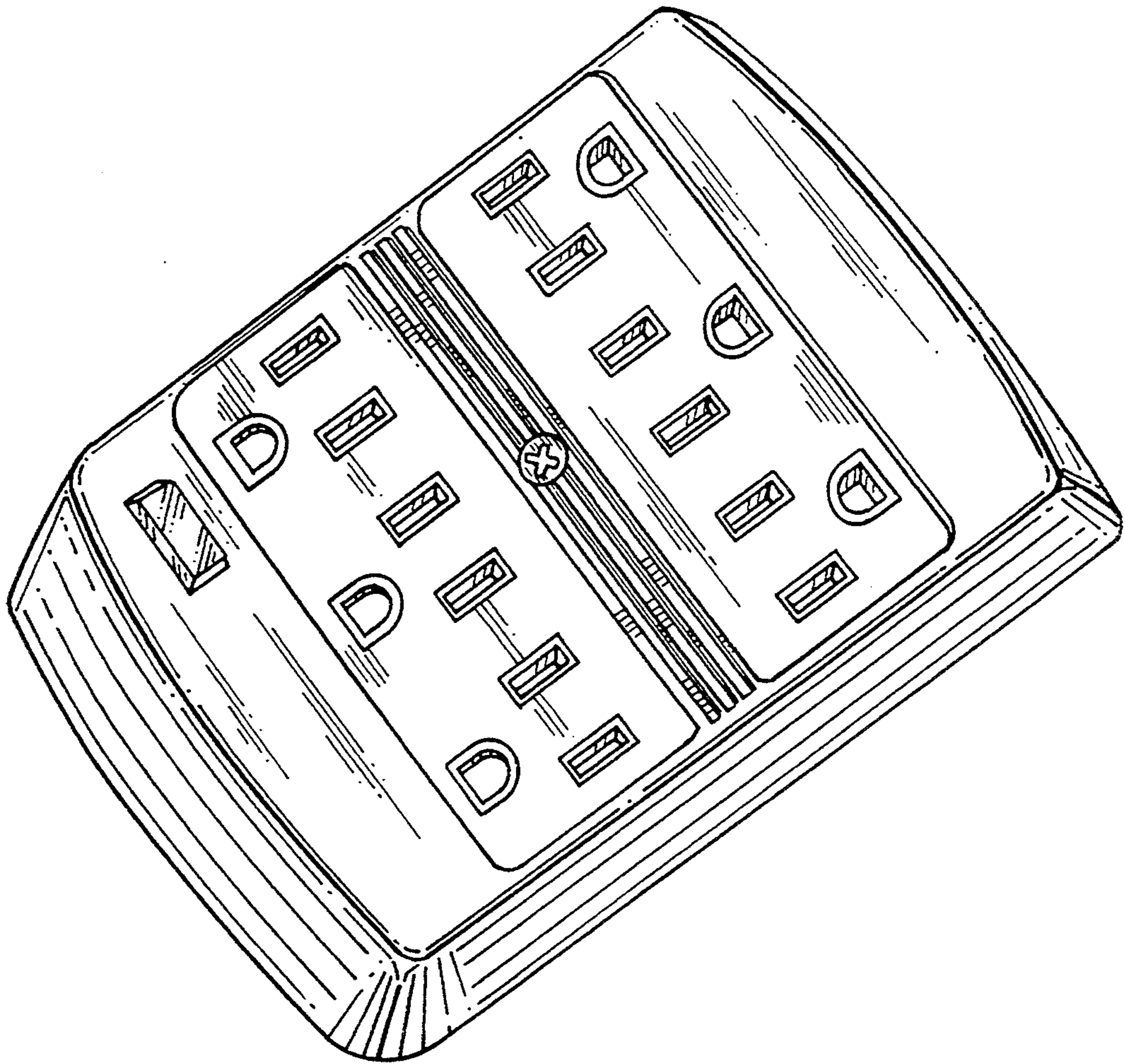


FIG. 1

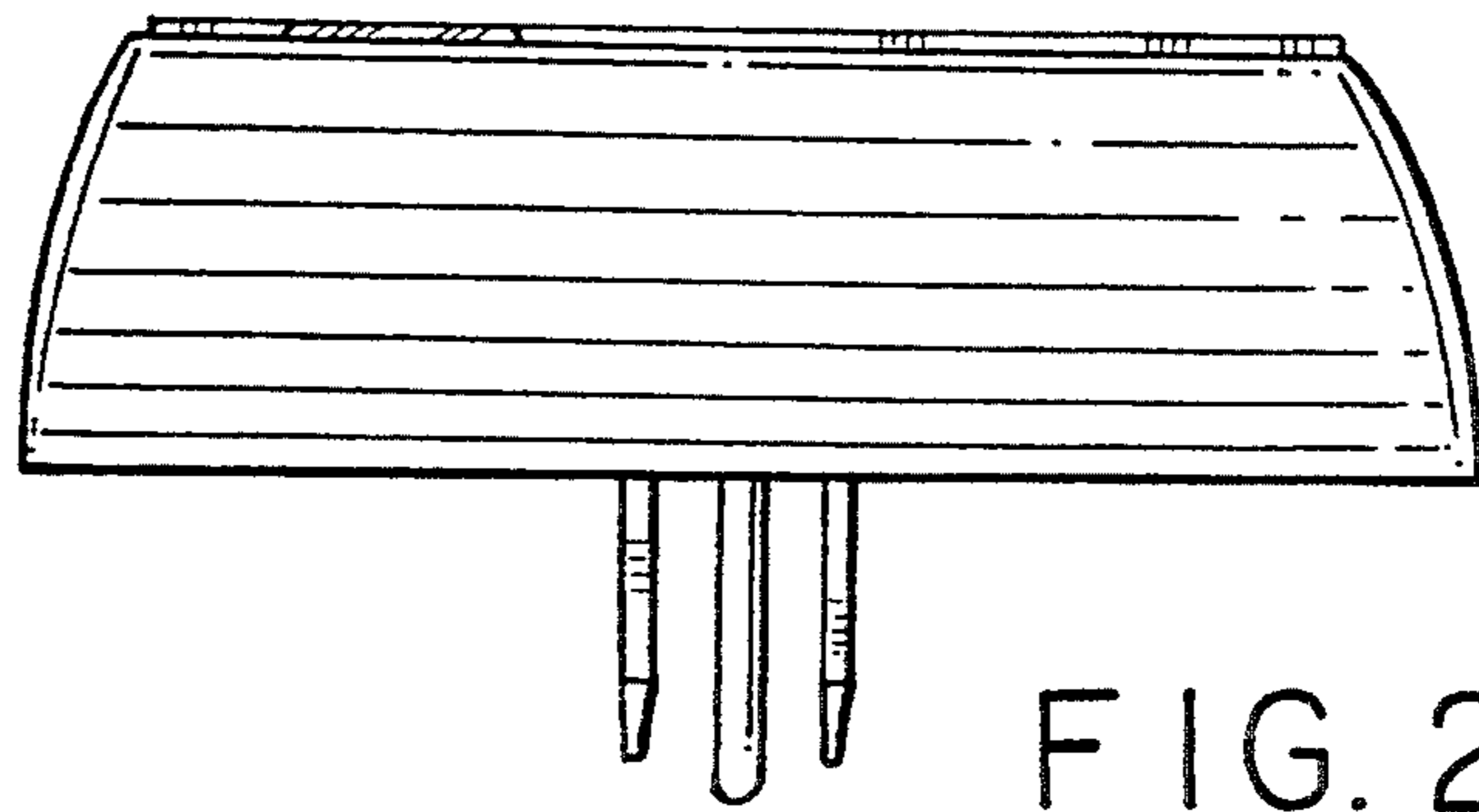


FIG. 2

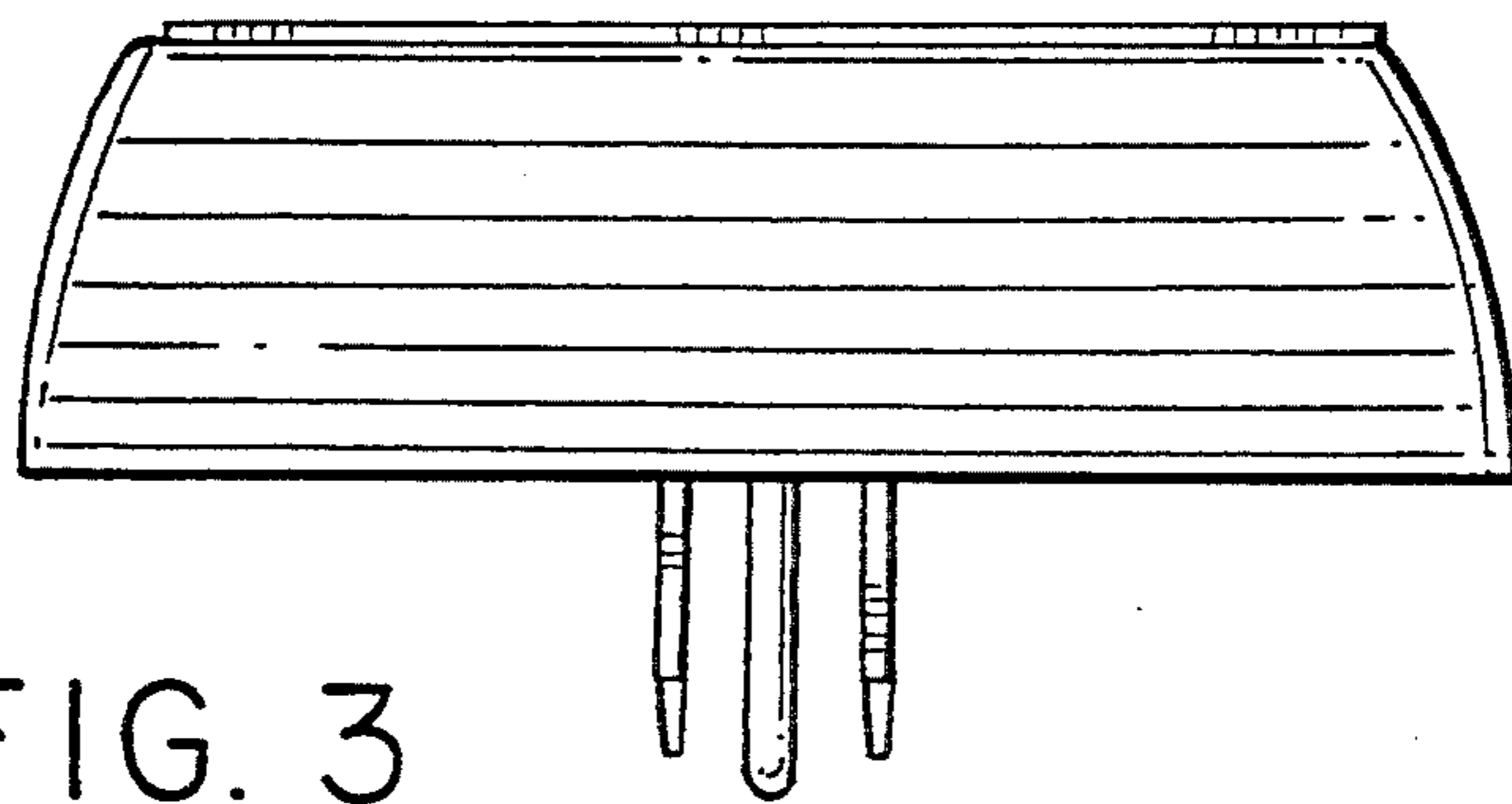


FIG. 3

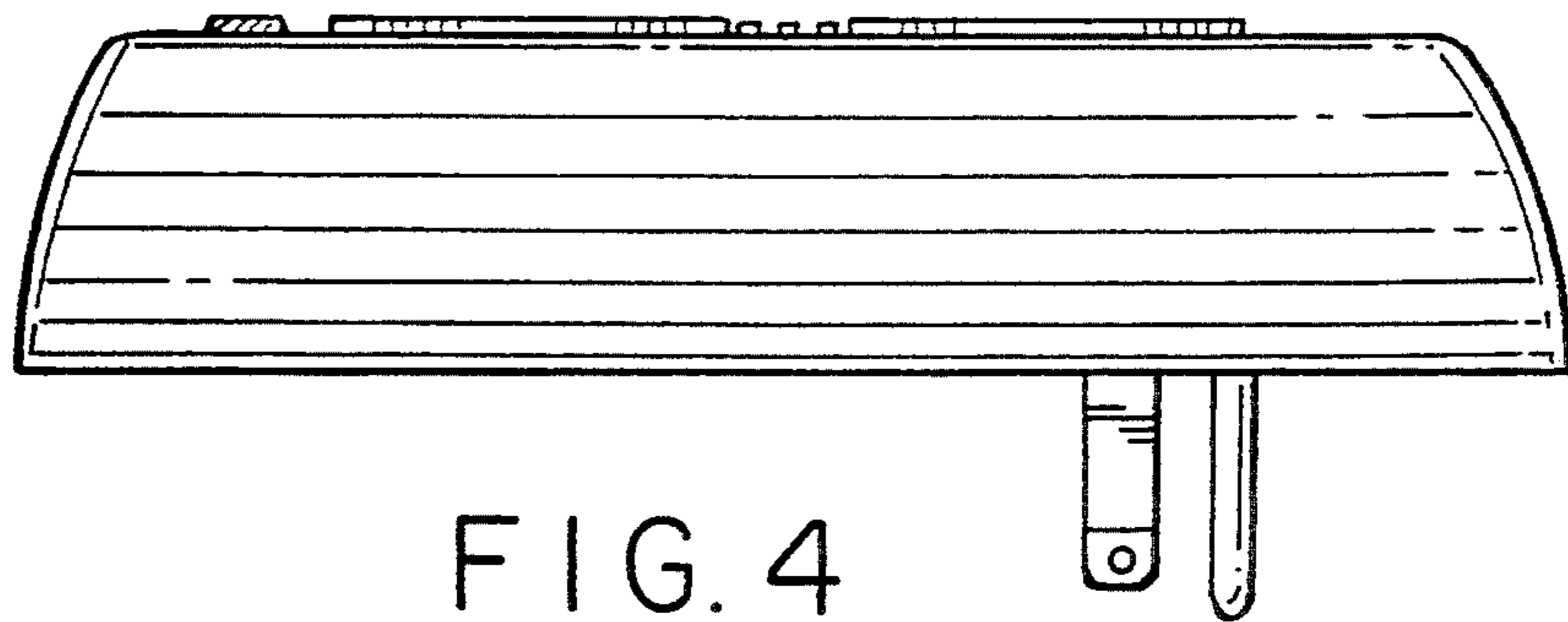


FIG. 4

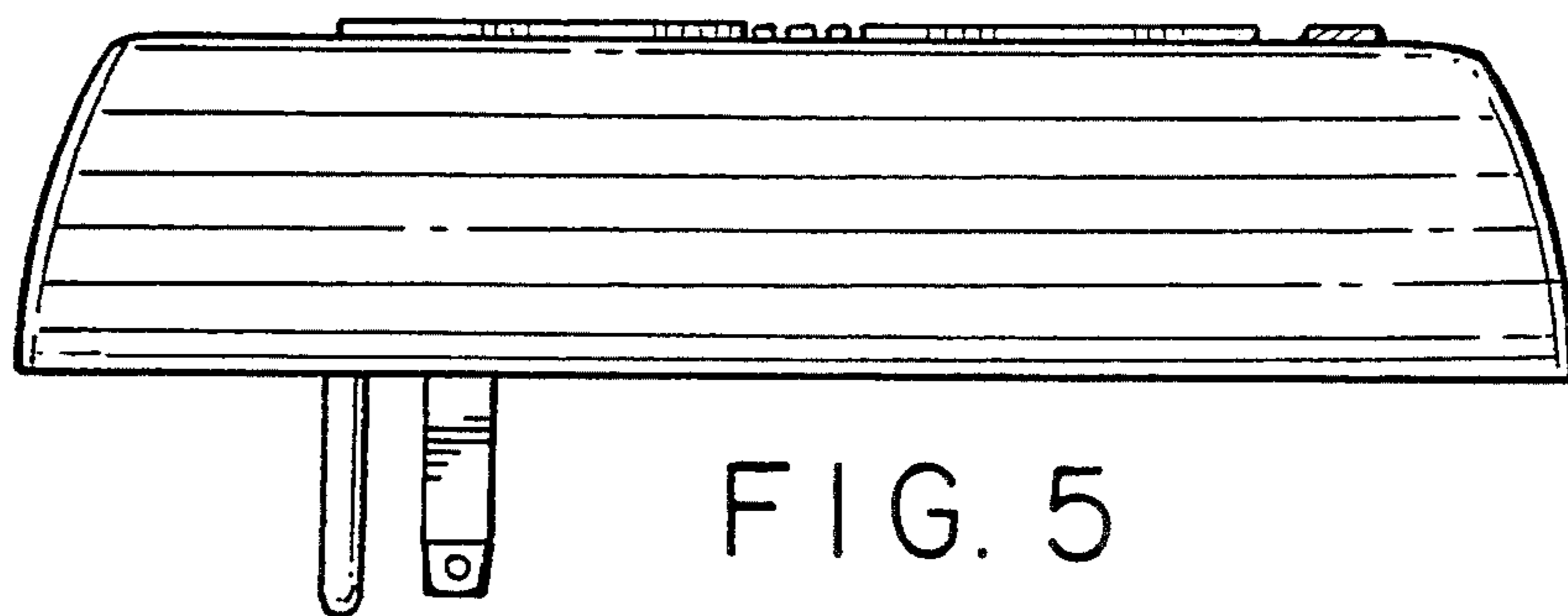


FIG. 5

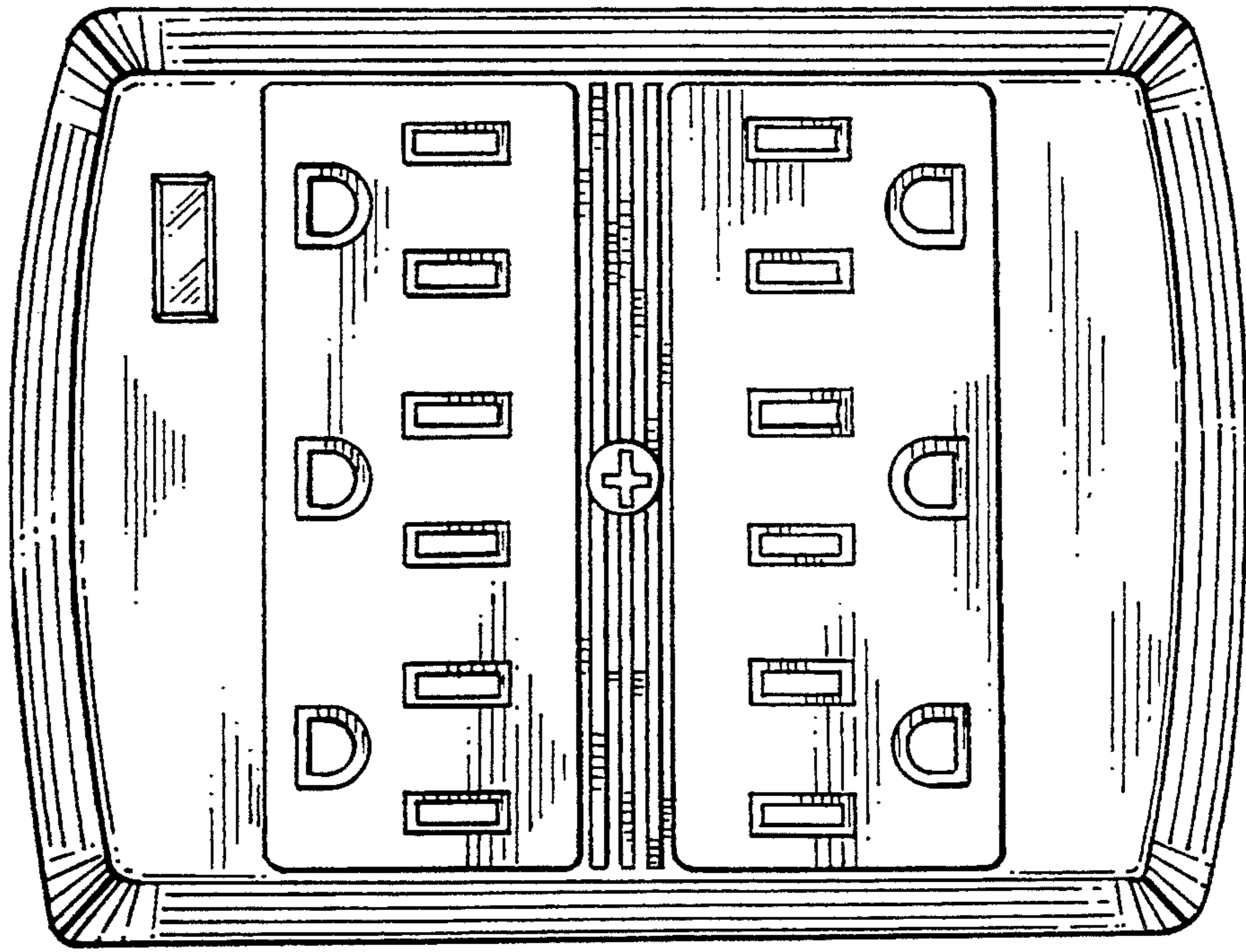


FIG. 6

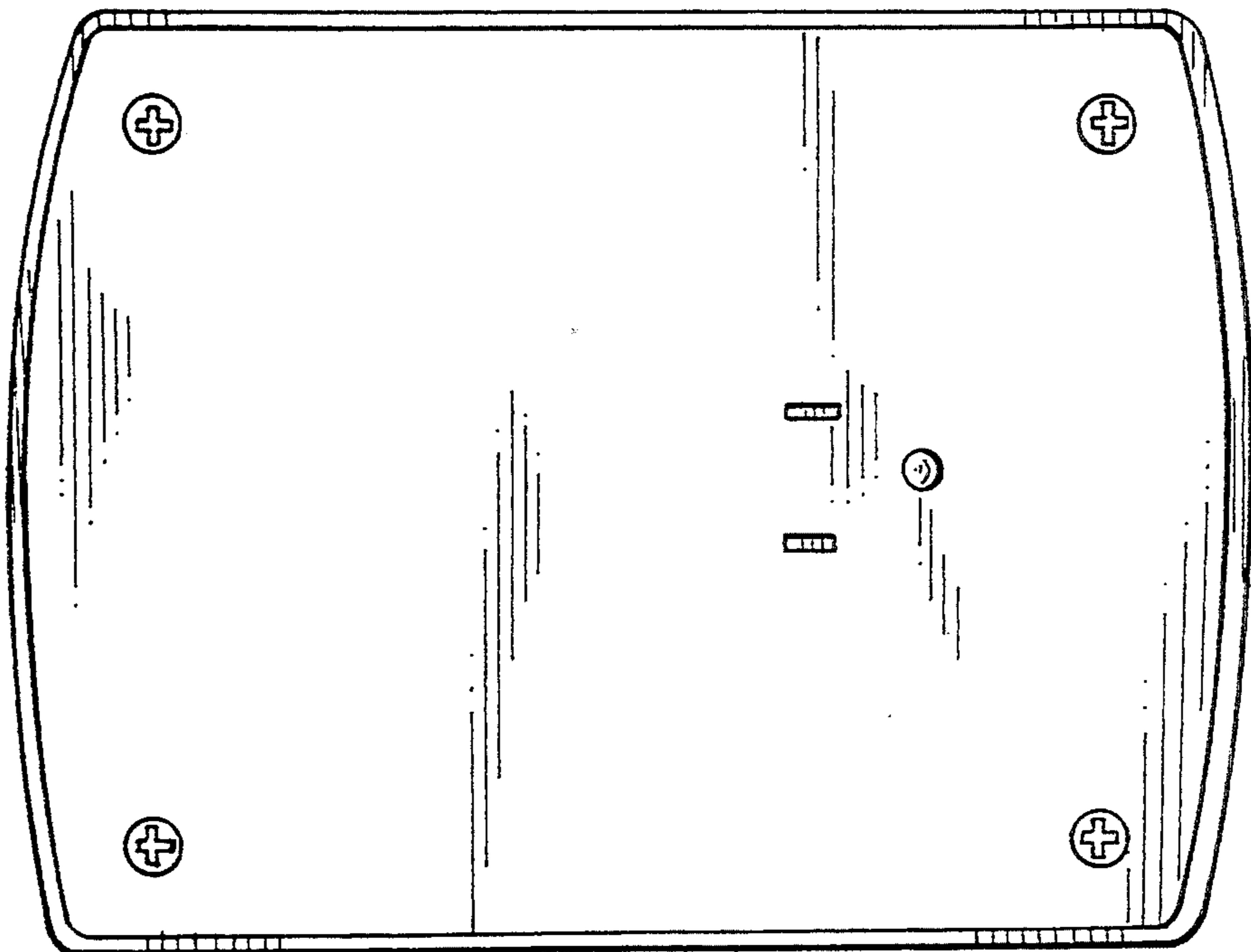


FIG. 7