



US00D361314S

United States Patent [19]

[11] Patent Number: **Des. 361,314**

Ryan

[45] Date of Patent: **** Aug. 15, 1995**

- [54] **POWER SURGE PROTECTOR**
- [75] Inventor: **Barry D. Ryan, Coeur D'Alene, Id.**
- [73] Assignee: **A.C. Data Systems of Idaho, Inc., Hayden Lake, Id.**
- [**] Term: **14 Years**
- [21] Appl. No.: **31,688**
- [22] Filed: **Dec. 2, 1994**
- [52] U.S. Cl. **D13/160**
- [58] Field of Search **D13/160, 182; 361/111, 361/118, 119, 120, 124; 337/28, 29, 34; 379/412**

5,089,929 2/1992 Hilland 361/111
 5,191,605 3/1993 Bower 379/412 X

OTHER PUBLICATIONS

Voltage suppressors on p. 65 of *Electrical Design* 4/30/97.
 P. 11, Square D—Powerlink as Remote Power Switching System QO(B)—AS Circuit Breakers Square-D Product Catalog, 4-93.

Primary Examiner—Joel Sincavage
Attorney, Agent, or Firm—Keith S. Bergman

[57] CLAIM

The ornamental design for power surge protector, shown and described.

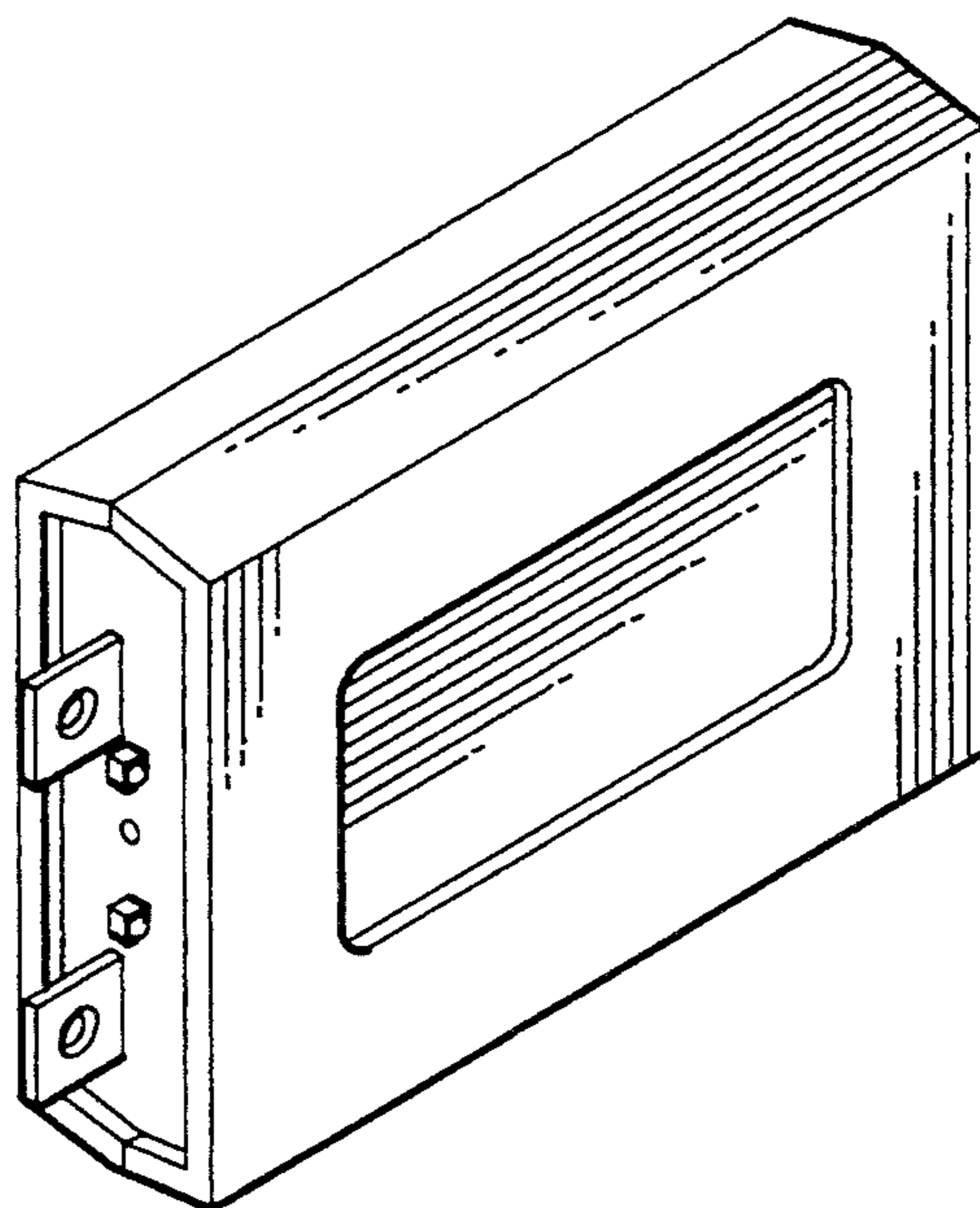
[56] References Cited

U.S. PATENT DOCUMENTS

- D. 108,646 3/1938 LaVallee .
- D. 271,297 11/1983 Johnson D13/24
- D. 288,557 3/1987 DuBois D13/182
- D. 288,801 3/1987 Marshall D13/160
- D. 290,598 6/1987 Jaffe et al. D13/160
- D. 290,836 7/1987 Oesterheld et al. D13/41
- 3,900,767 8/1975 Person D13/160 X
- 4,600,960 7/1986 Clark 361/118 X
- 4,794,485 12/1988 Bennett 361/127

DESCRIPTION

FIG. 1 is an isometric surface view of design for power surge protector;
 FIG. 2 is a front elevational view thereof;
 FIG. 3 is a left side elevational view thereof;
 FIG. 4 is a top view thereof;
 FIG. 5 is a rear elevational view thereof;
 FIG. 6 is a right side elevational view thereof; and,
 FIG. 7 is a bottom view thereof.



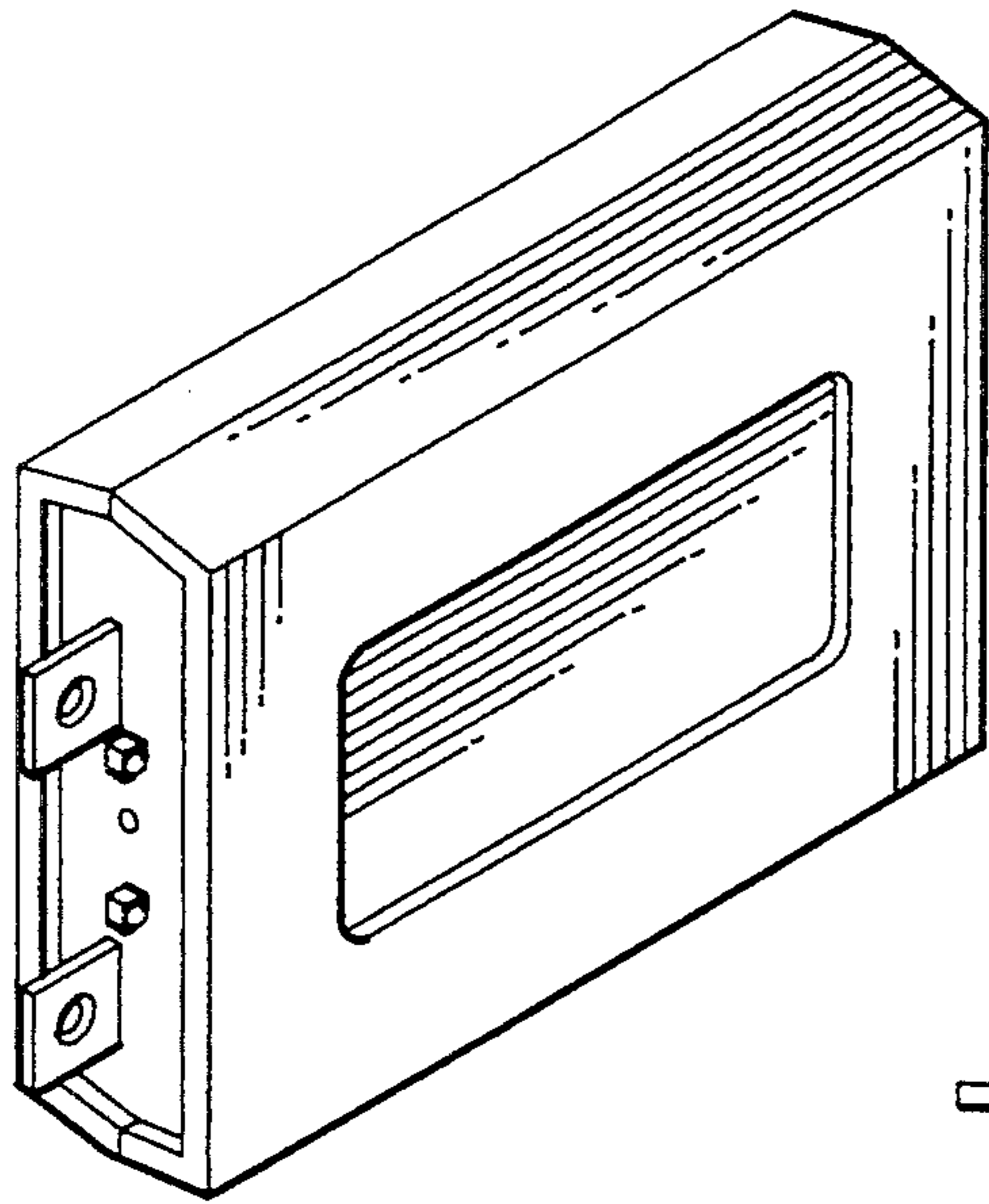


FIG. 1

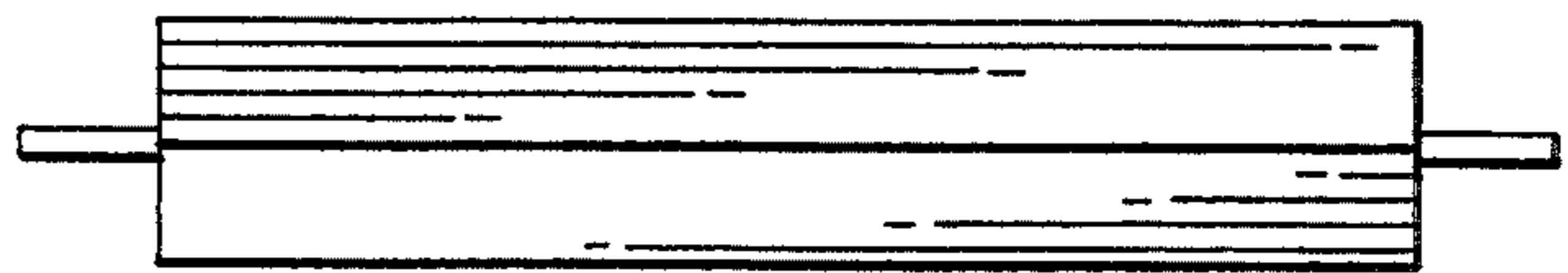


FIG. 4

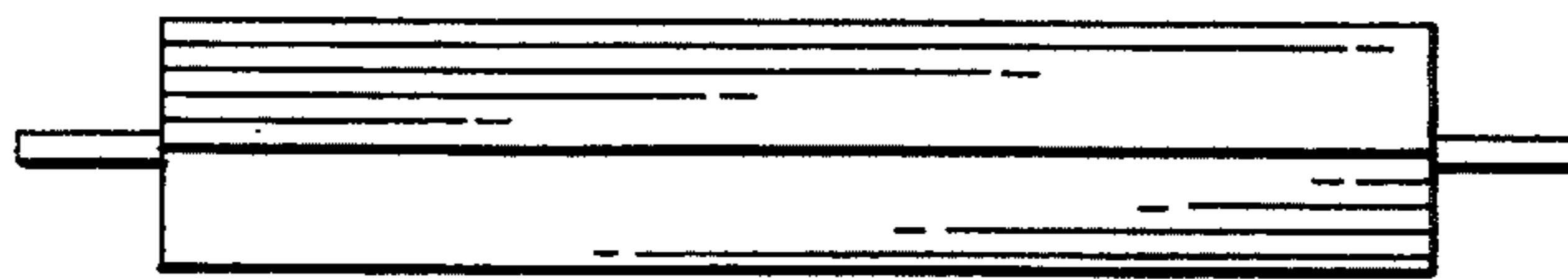


FIG. 7

FIG. 3

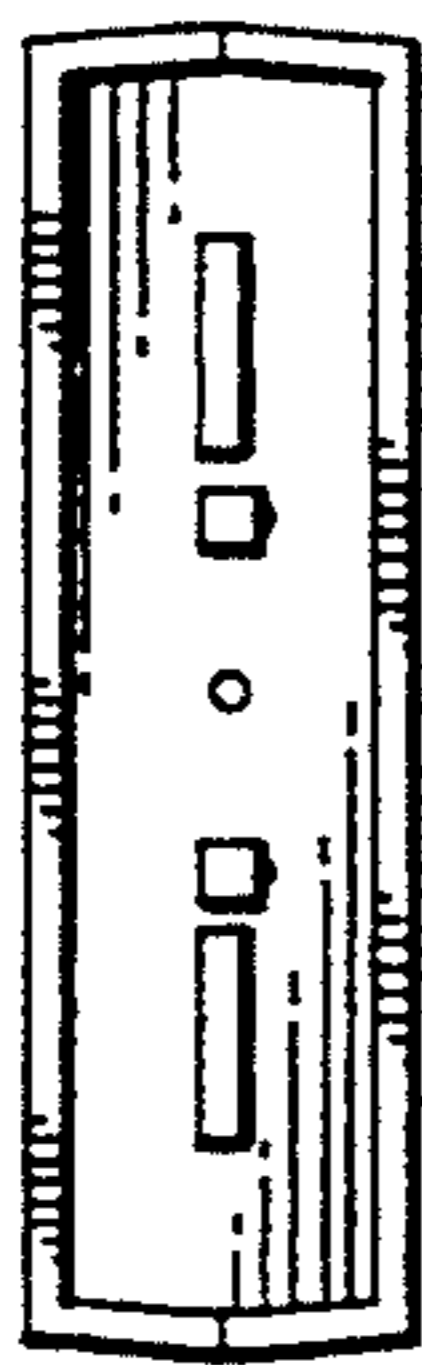


FIG. 2

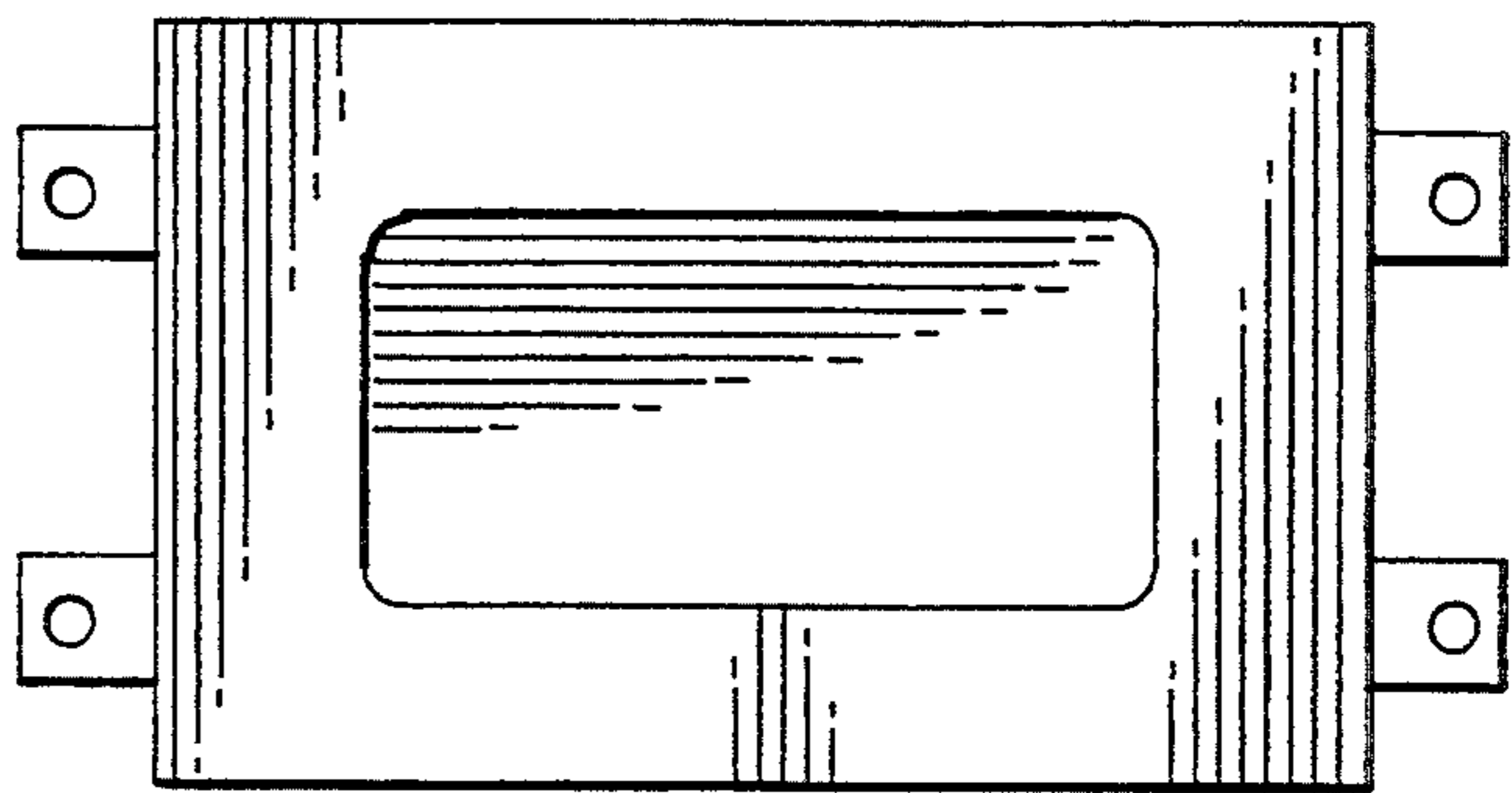


FIG. 5

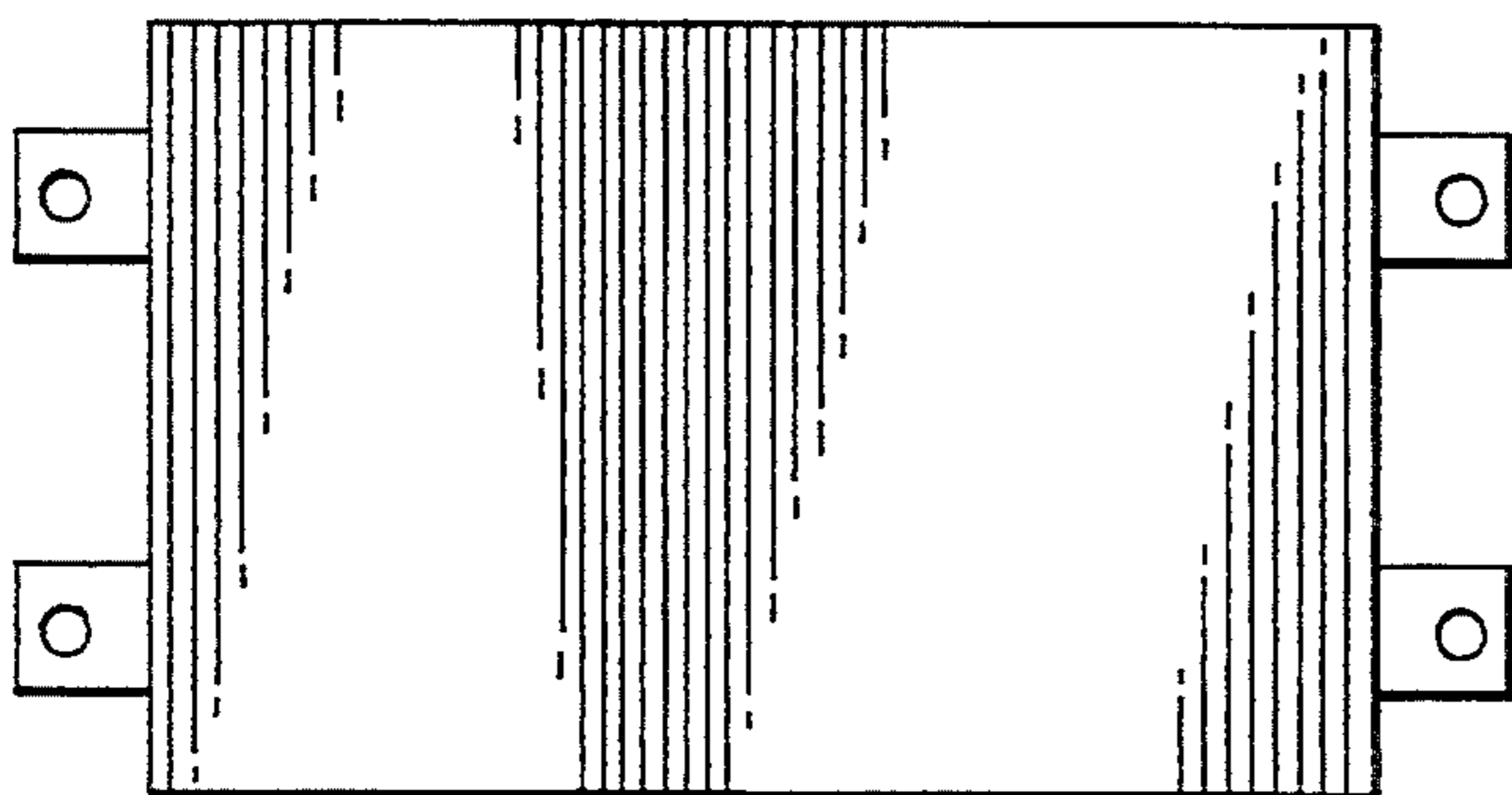


FIG. 6

