



US00D361313S

# United States Patent [19]

[11] Patent Number: **Des. 361,313**

Sai et al.

[45] Date of Patent: **\*\* Aug. 15, 1995**

## [54] ELECTRICAL CONNECTOR

[75] Inventors: **Noriaki Sai**, Yokohama; **Shigeru Isohata**, Machida; **Yasuyoshi Fukao**; **Toshiyuki Sekimori**, both of Toyota, all of Japan

[73] Assignees: **The Whitaker Corporation**, Wilmington, Del.; **Toyota Motor Corporation**, Aichi, Japan

[\*\*] Term: **14 Years**

[21] Appl. No.: **20,087**

[22] Filed: **Mar. 18, 1994**

### [30] Foreign Application Priority Data

Sep. 20, 1993 [JP] Japan ..... 5-28083

[52] U.S. Cl. .... **D13/146**; D13/156

[58] Field of Search ..... D13/146, 154, 155, 156; 439/34, 35, 142, 144, 381, 503, 519, 521, 571, 573, 638

### [56] References Cited

#### U.S. PATENT DOCUMENTS

|            |        |                 |       |           |
|------------|--------|-----------------|-------|-----------|
| D. 329,840 | 9/1992 | Nociar          | ..... | D13/146   |
| D. 344,490 | 2/1994 | Nociar          | ..... | D13/146   |
| 3,315,131  | 4/1967 | Klimak et al.   | ..... | 439/573 X |
| 4,037,907  | 7/1977 | Klimek et al.   | ..... | 439/142   |
| 4,072,381  | 2/1978 | Burkhart et al. | ..... | 439/503 X |
| 4,138,187  | 2/1979 | Brygger         | ..... | 439/142   |
| 4,245,875  | 1/1981 | Shaffer et al.  | ..... | 439/144   |

#### FOREIGN PATENT DOCUMENTS

286697 10/1988 European Pat. Off. .... 439/571

## OTHER PUBLICATIONS

Arktite NR receptacle shown in Cooper Industries publication ASP227 Apr. 1984, ©1984.

AMP Germany product catalog, *Weatherproof Connection for Special Application*, Jul. 1991, pp. 1-10.

Primary Examiner—Joel Sincavage

Attorney, Agent, or Firm—Adrian J. LaRue; Mary K. Van Atten

## [57] CLAIM

The ornamental design for electrical connector, as shown and described.

## DESCRIPTION

FIG. 1 is a side elevational view of the electrical connector;

FIG. 2 is a bottom plan view thereof;

FIG. 3 is a side elevational view thereof opposite to FIG. 1;

FIG. 4 is a view looking from the left side of FIG. 1;

FIG. 5 is a view looking from the right side of FIG. 1;

FIG. 6 is a top plan view of FIG. 1;

FIG. 7 is a perspective view thereof;

FIG. 8 is a view similar to FIG. 1 with hinged cover in an open position;

FIG. 9 is a bottom plan view of FIG. 8;

FIG. 10 is a view looking from the left of FIG. 8;

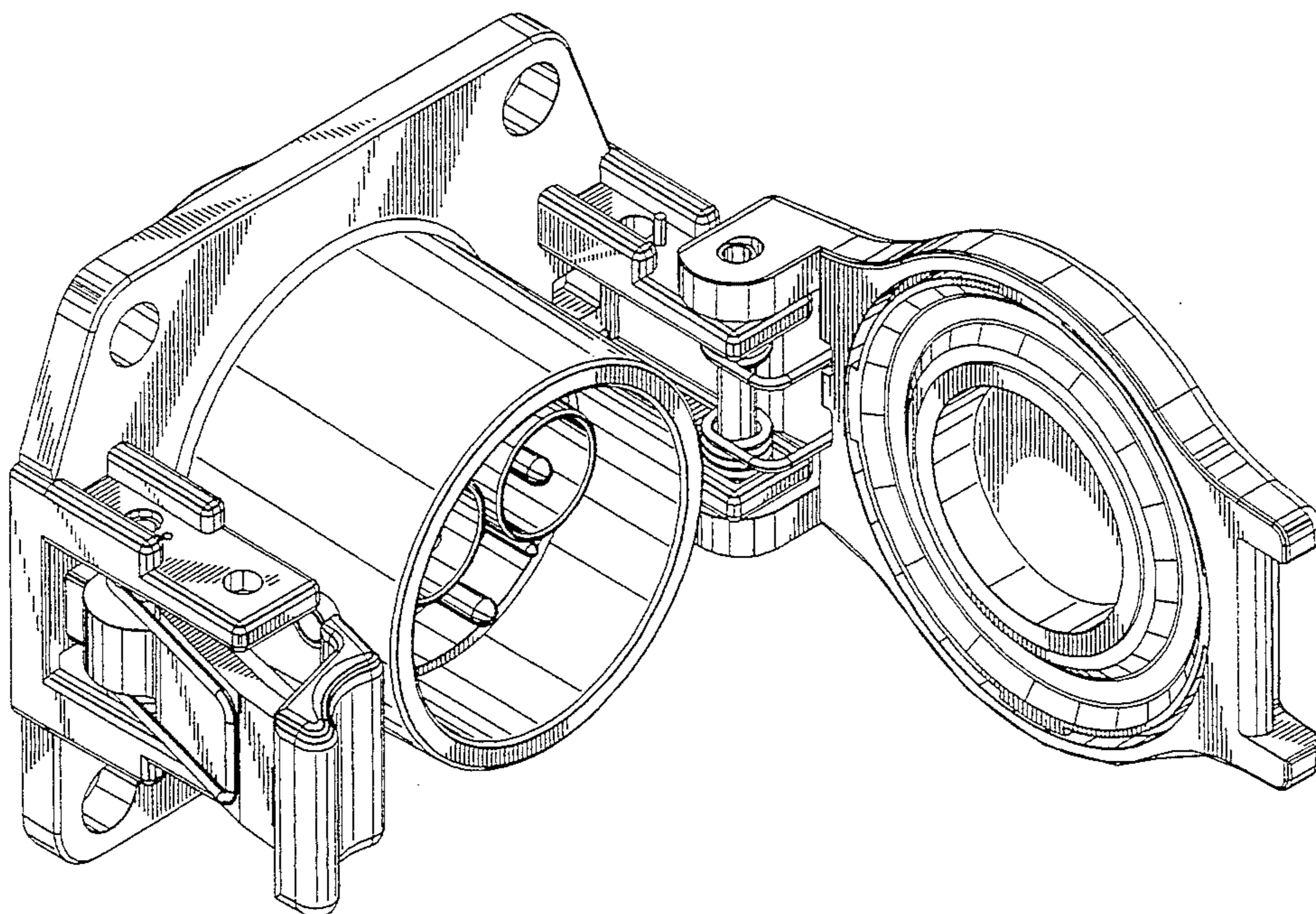
FIG. 11 is a view looking from the right of FIG. 8;

FIG. 12 is a view similar to FIG. 3 with the cover member open;

FIG. 13 is a view similar to FIG. 6 with the cover member open;

FIG. 14 is a view similar to FIG. 7 with the cover member open; and,

FIG. 15 is a cross sectional view along line 15—15 of FIG. 2.



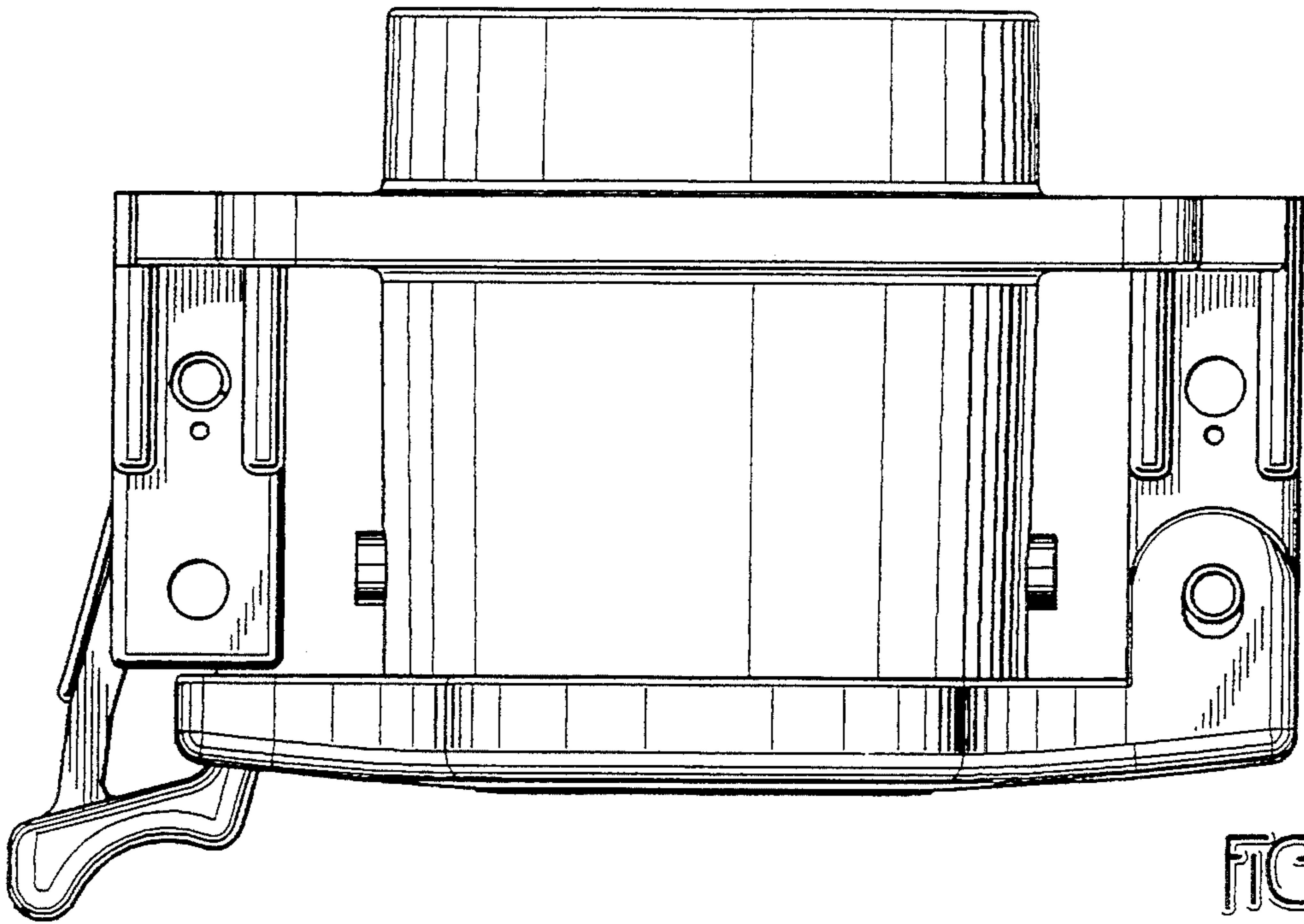
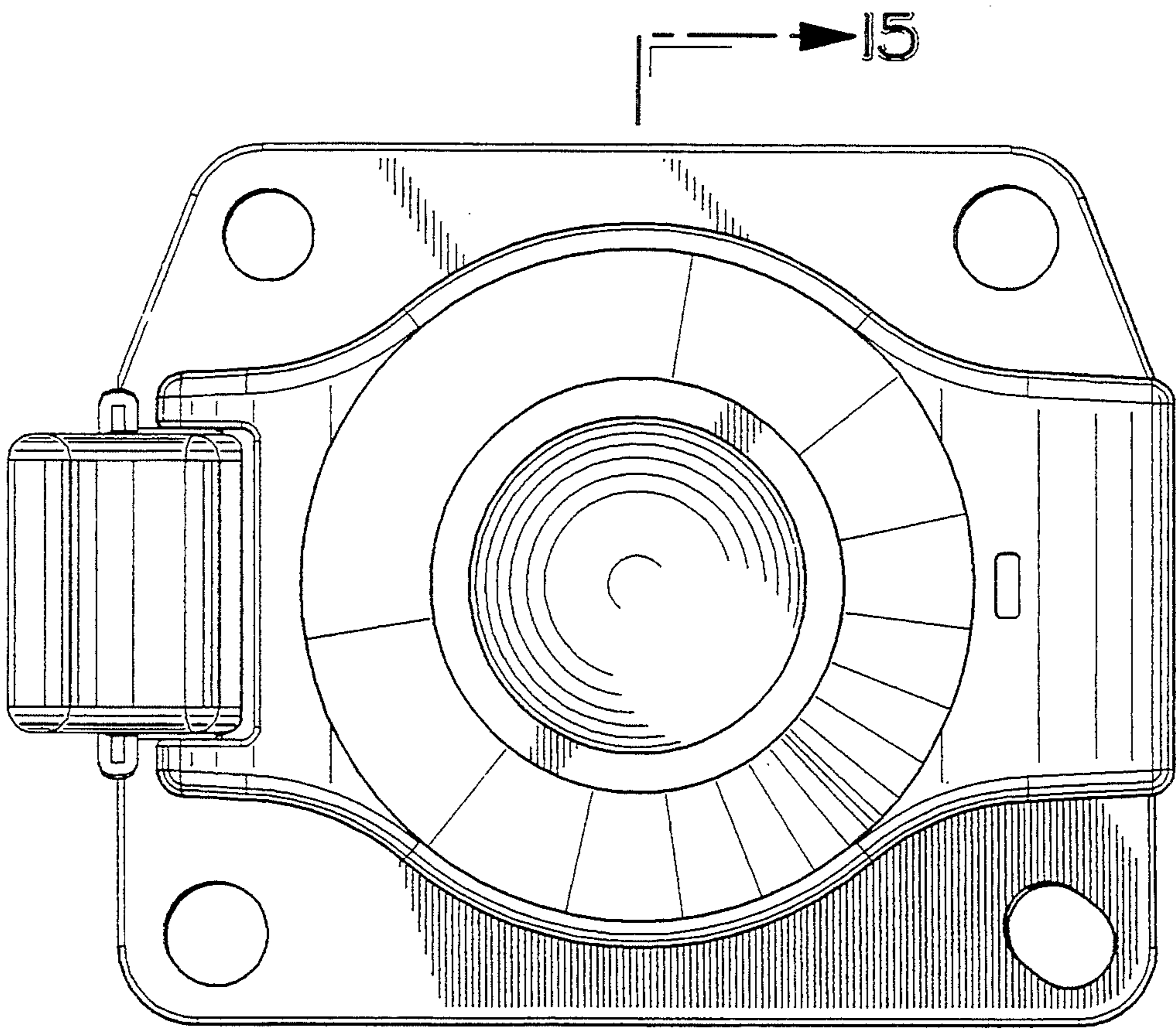


FIG. 1



15

15

FIG. 2

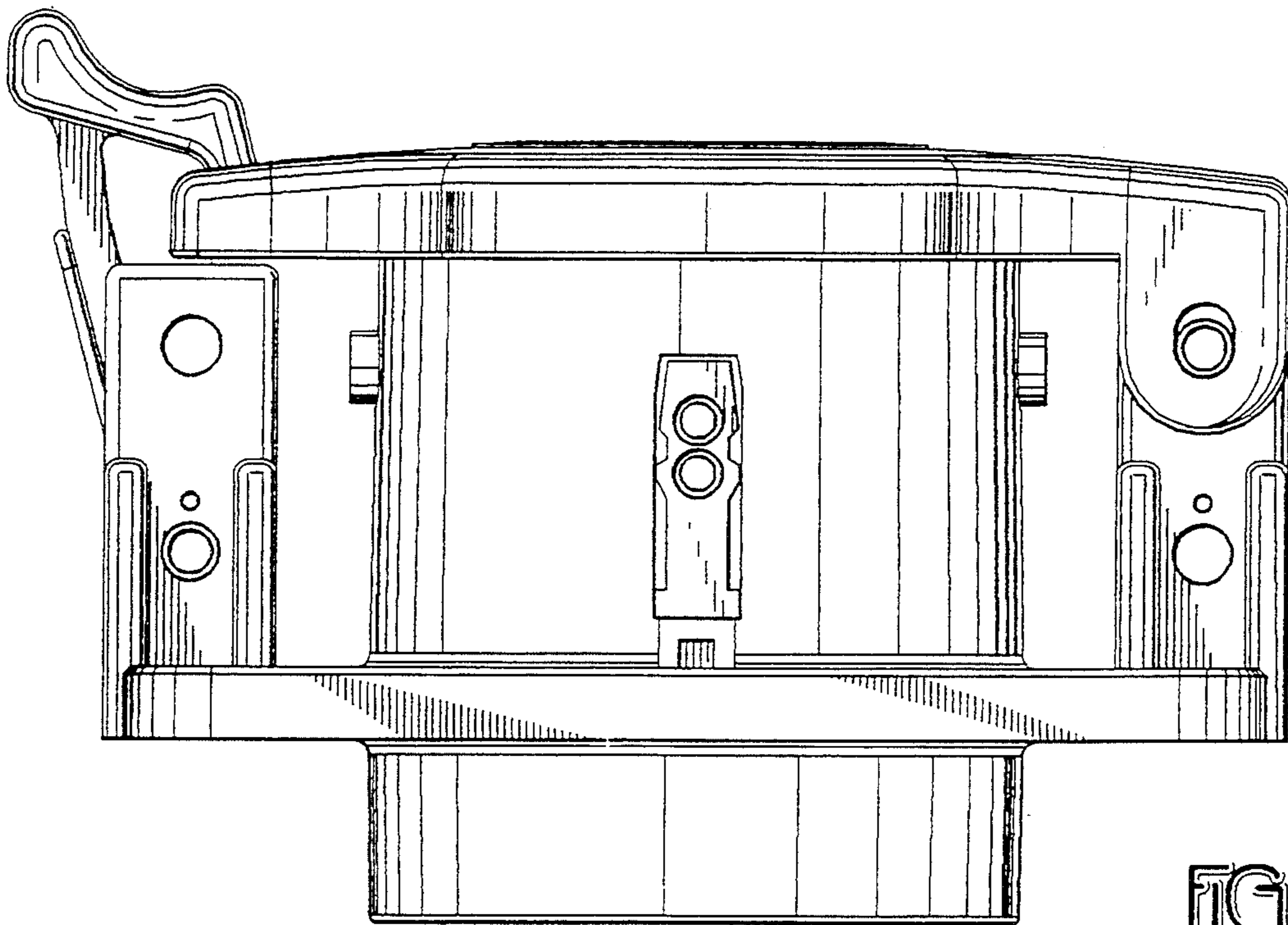


FIG. 3

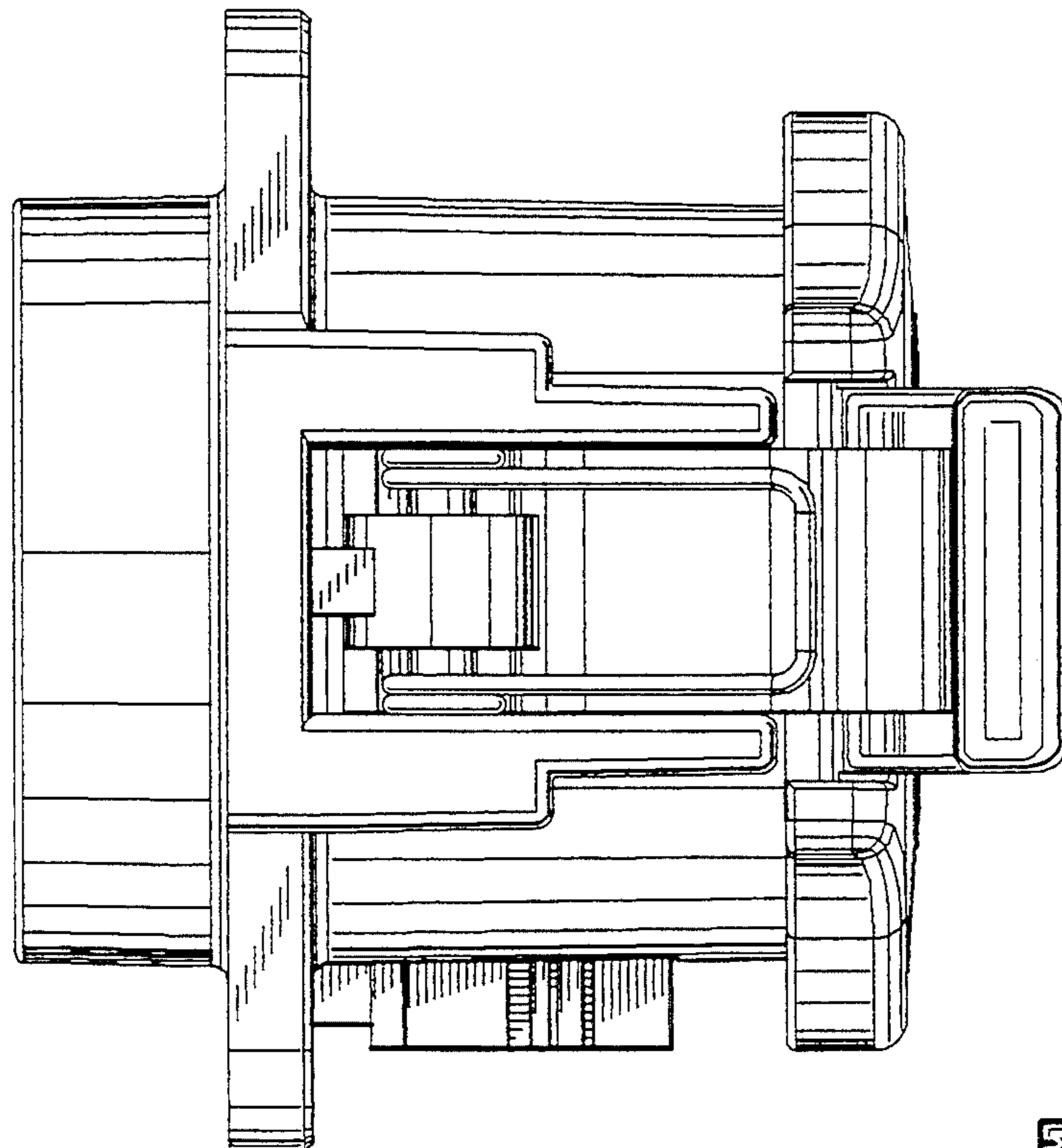


FIG. 4

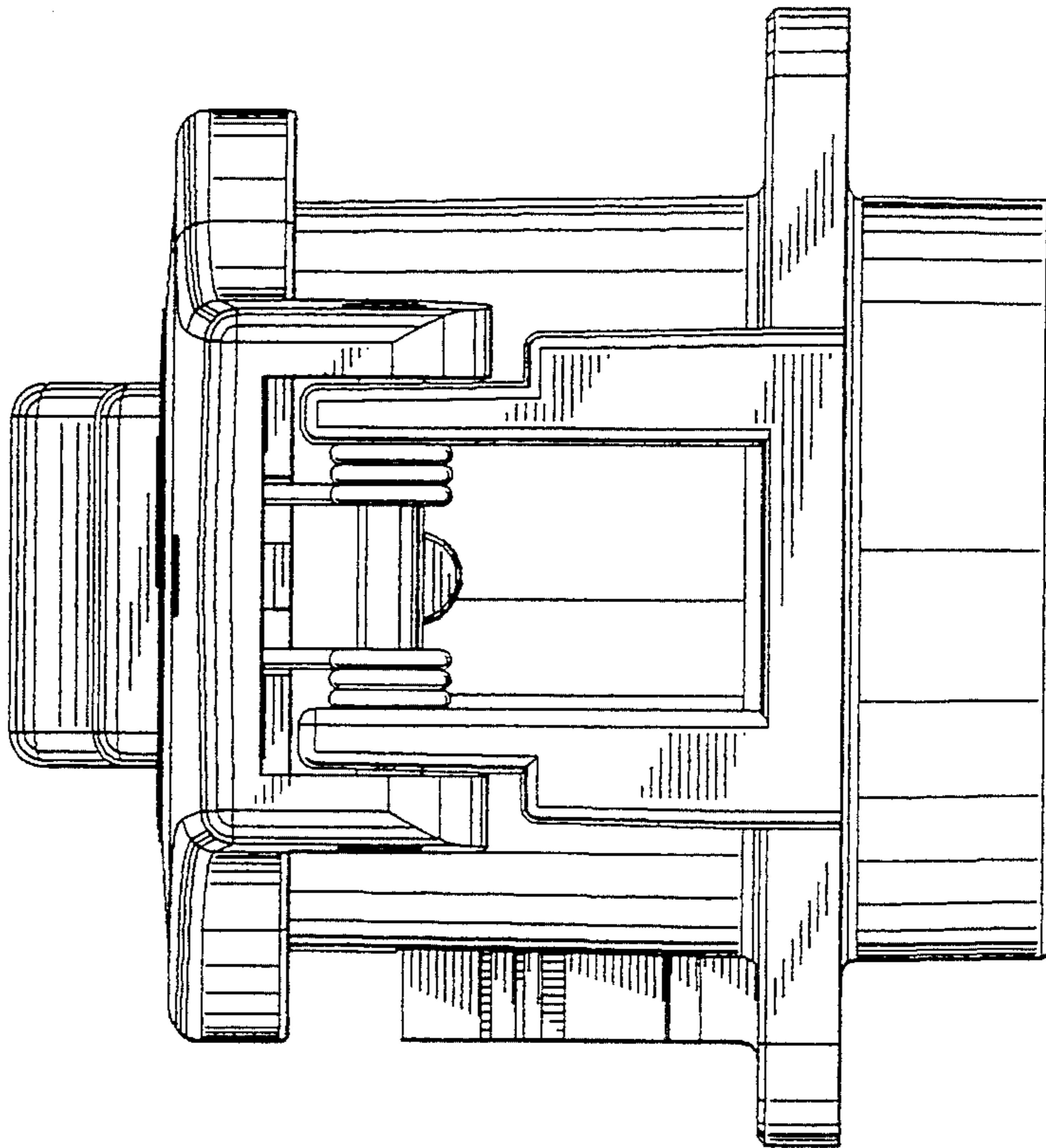


FIG. 5

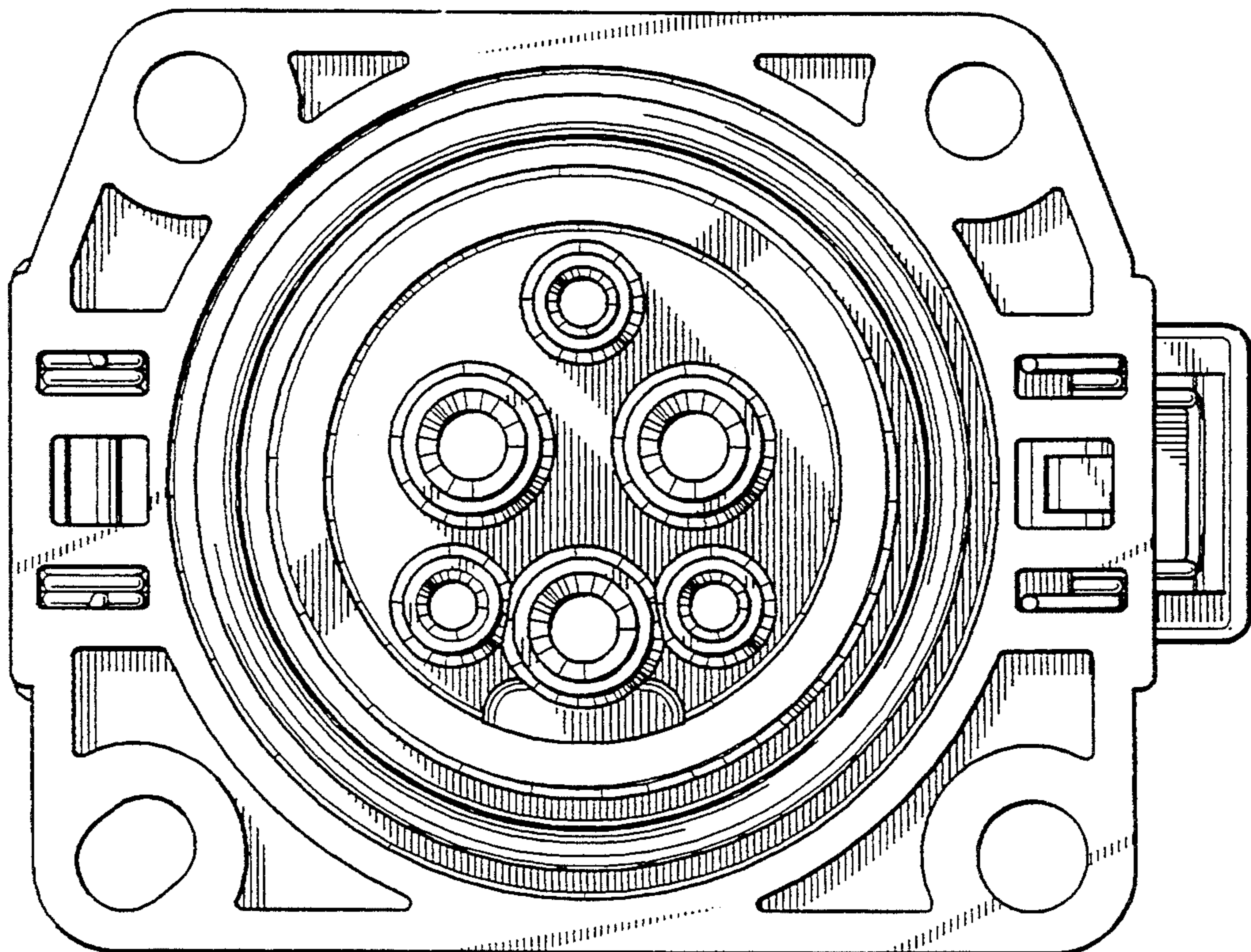


FIG. 6

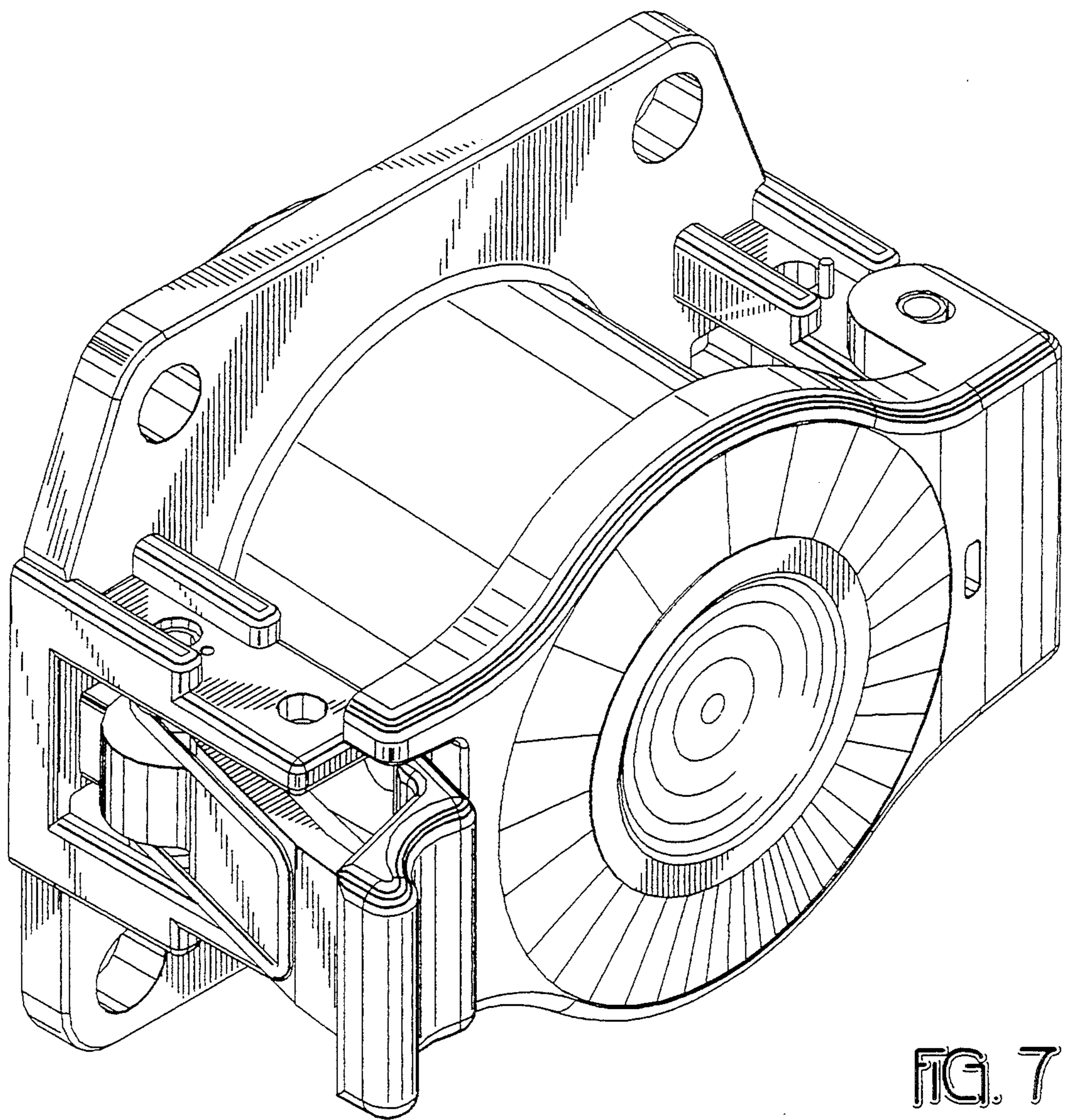


FIG. 7

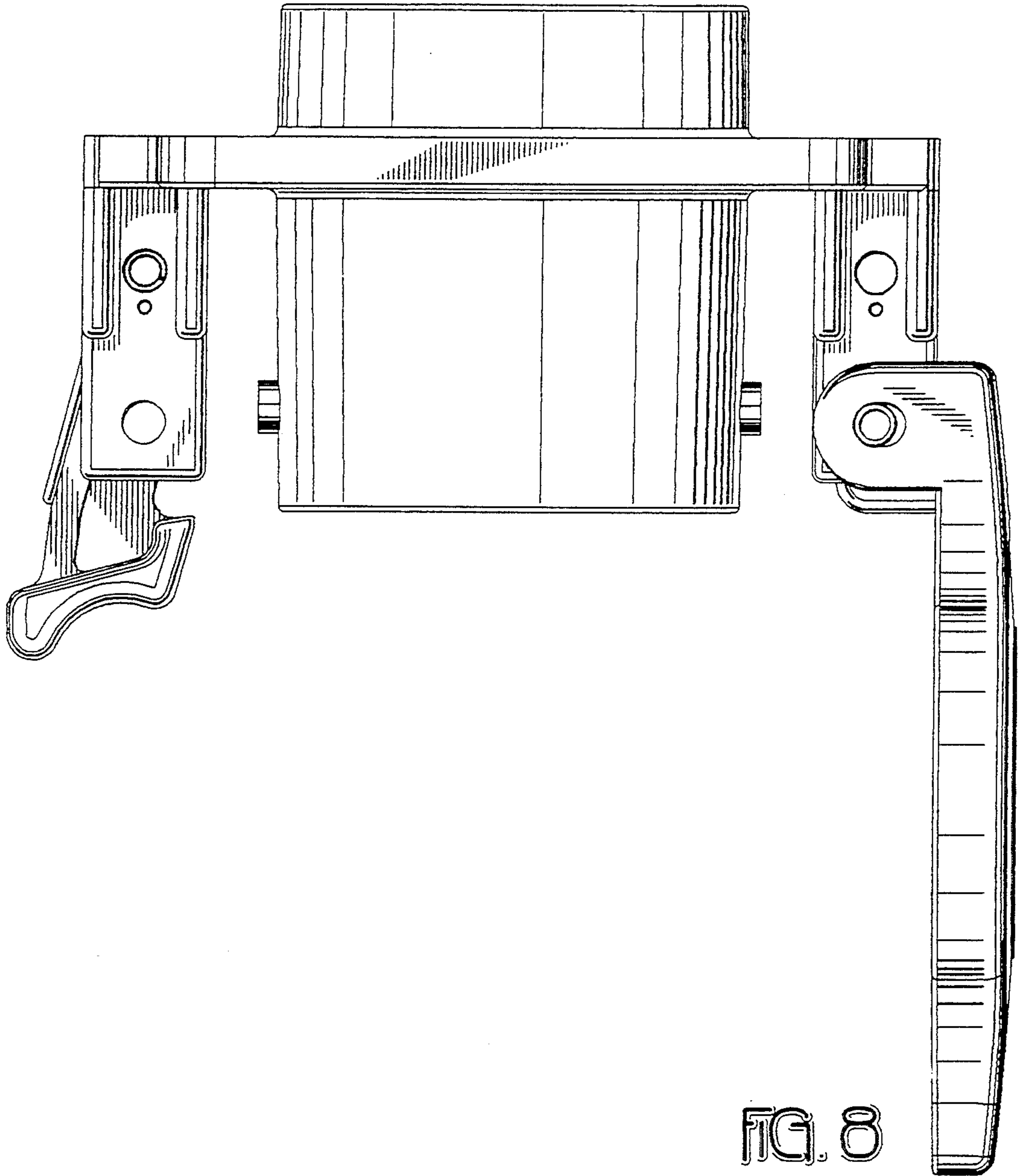


FIG. 8

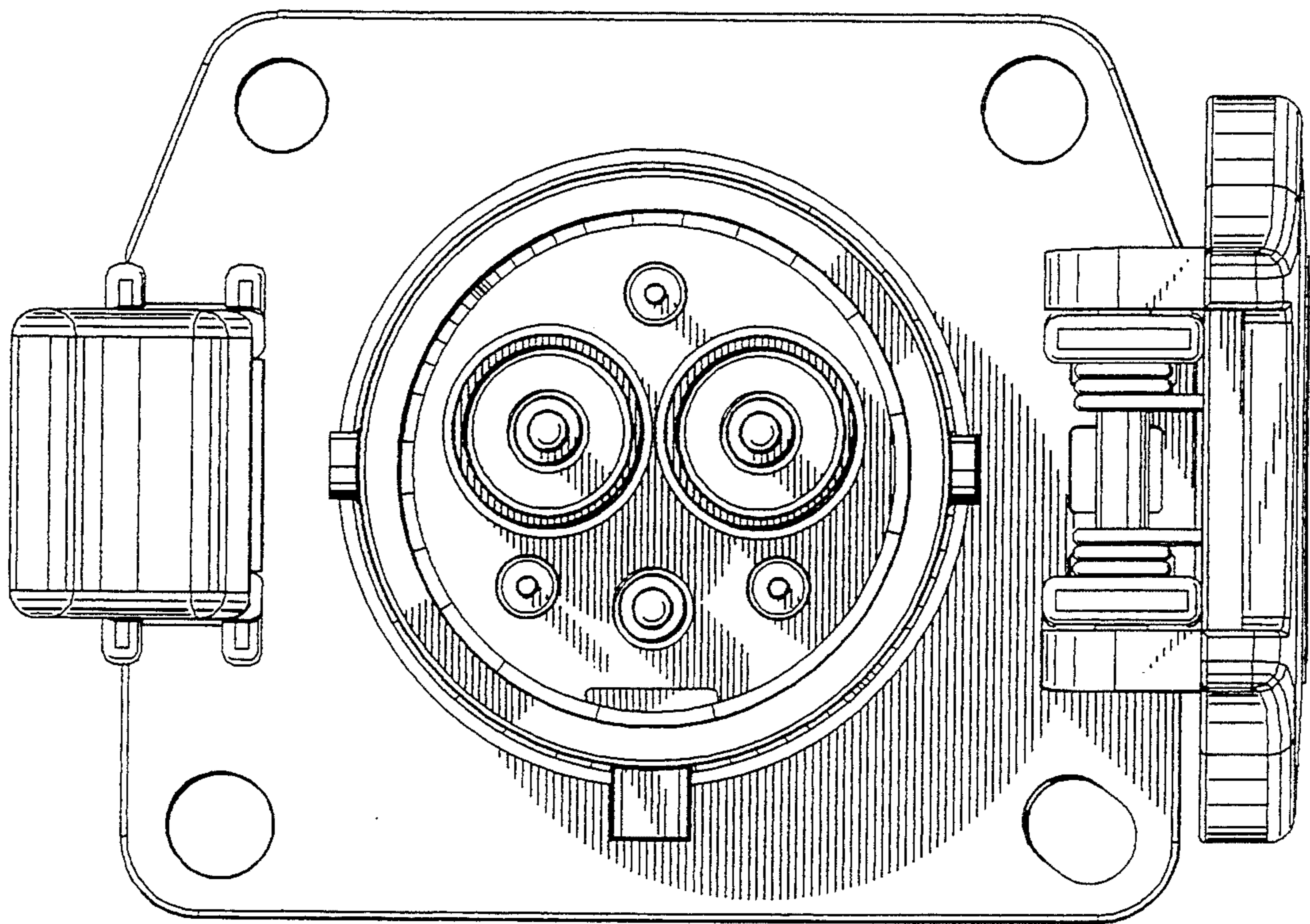
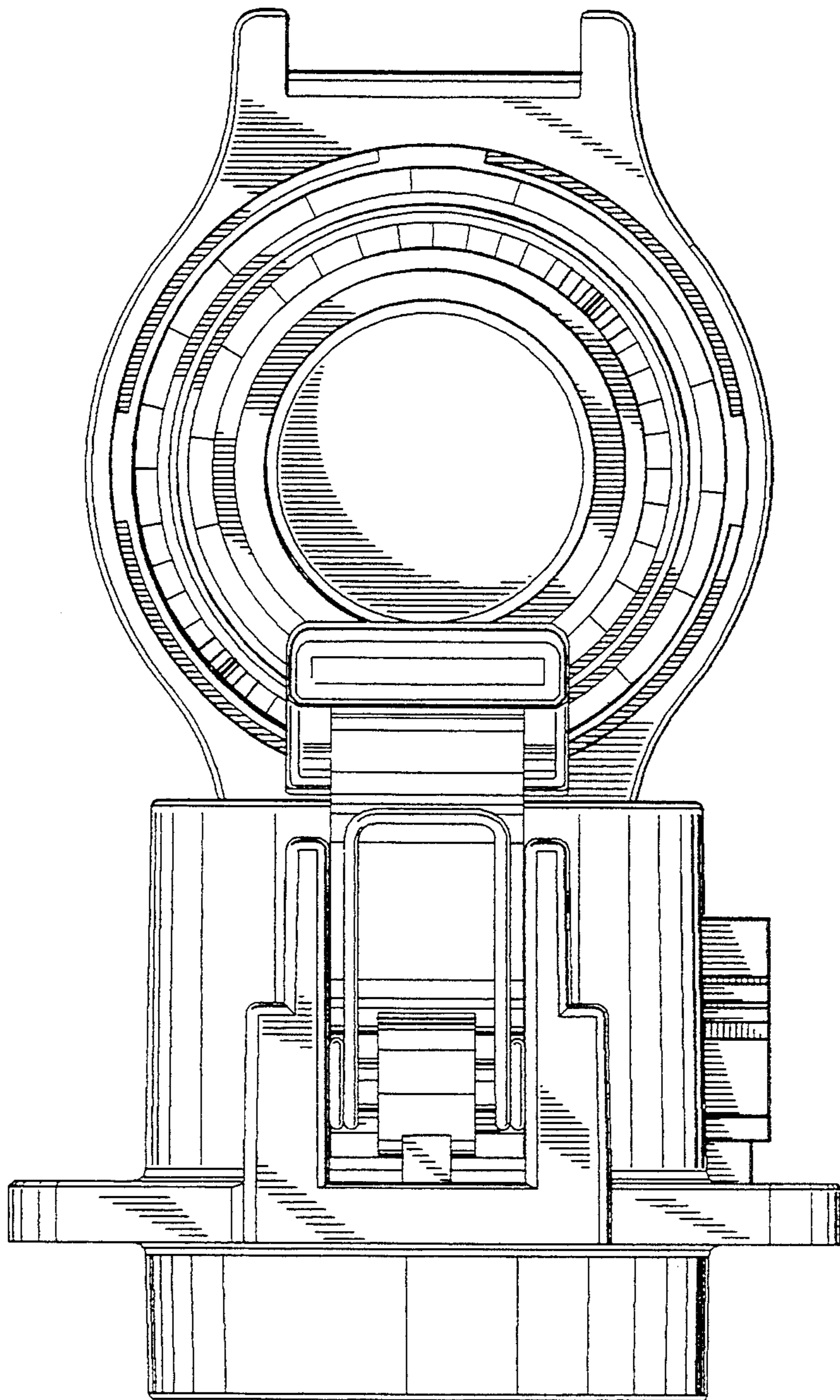


FIG. 9

FIG. 10





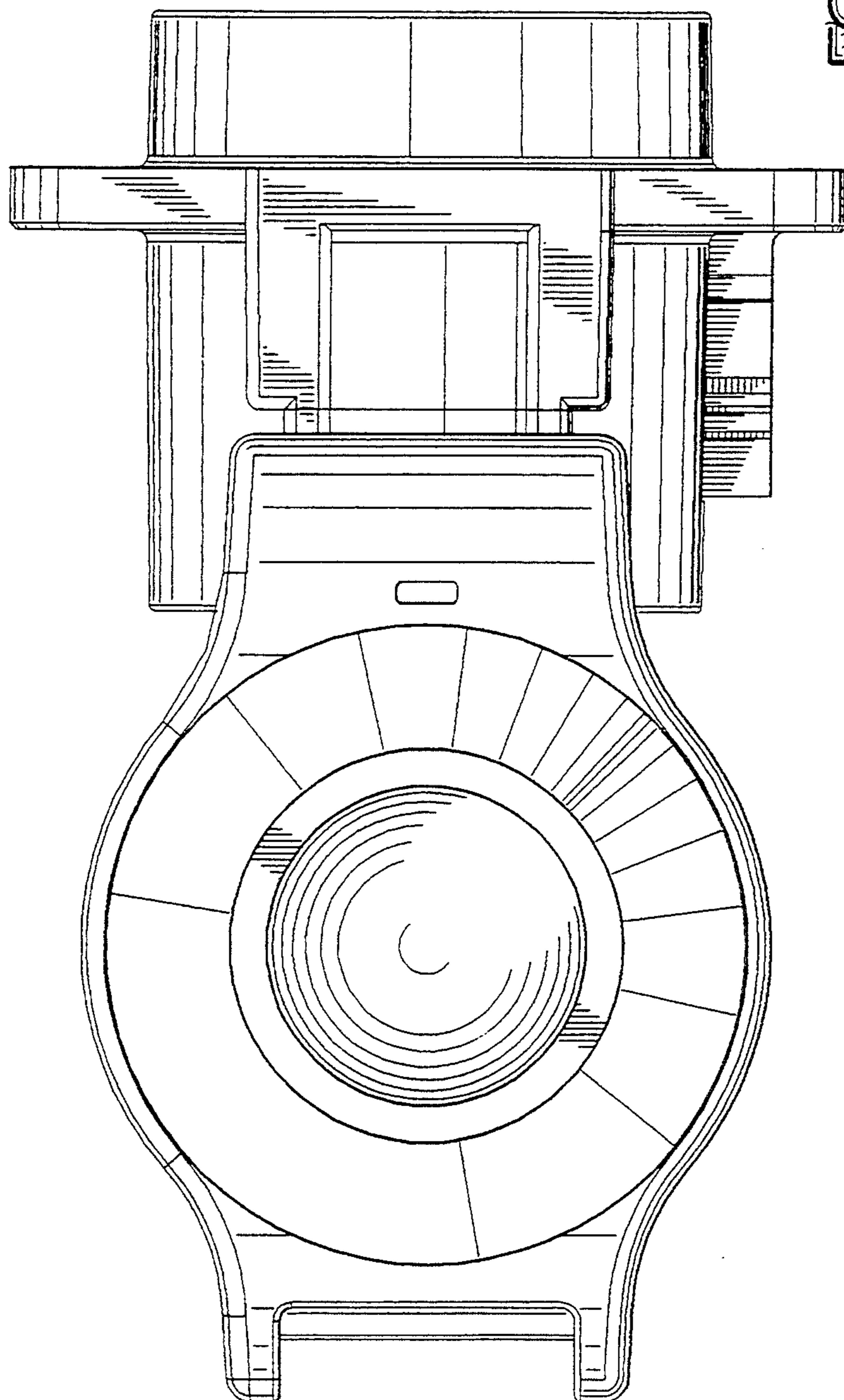


FIG. 11

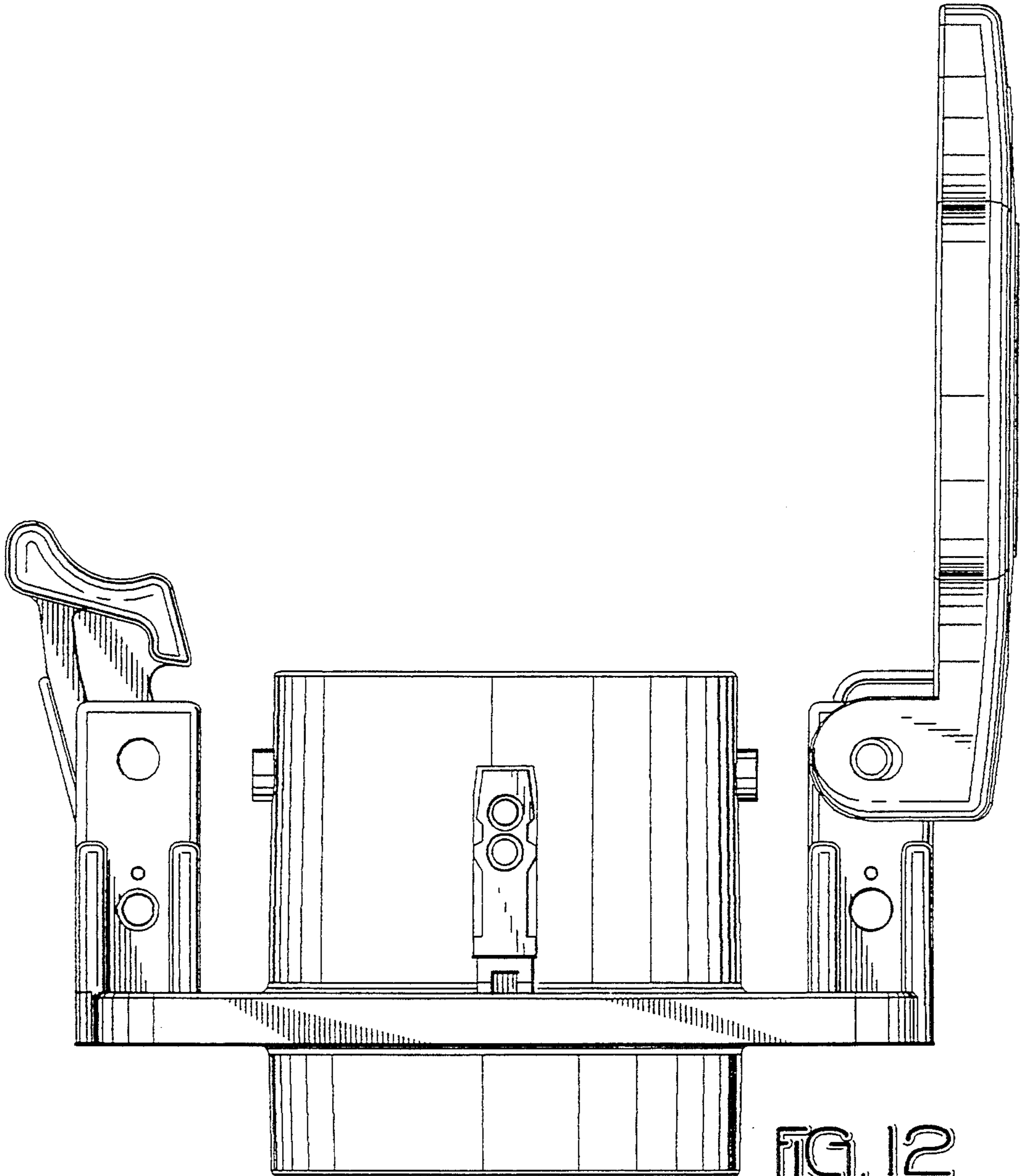


FIG. 12

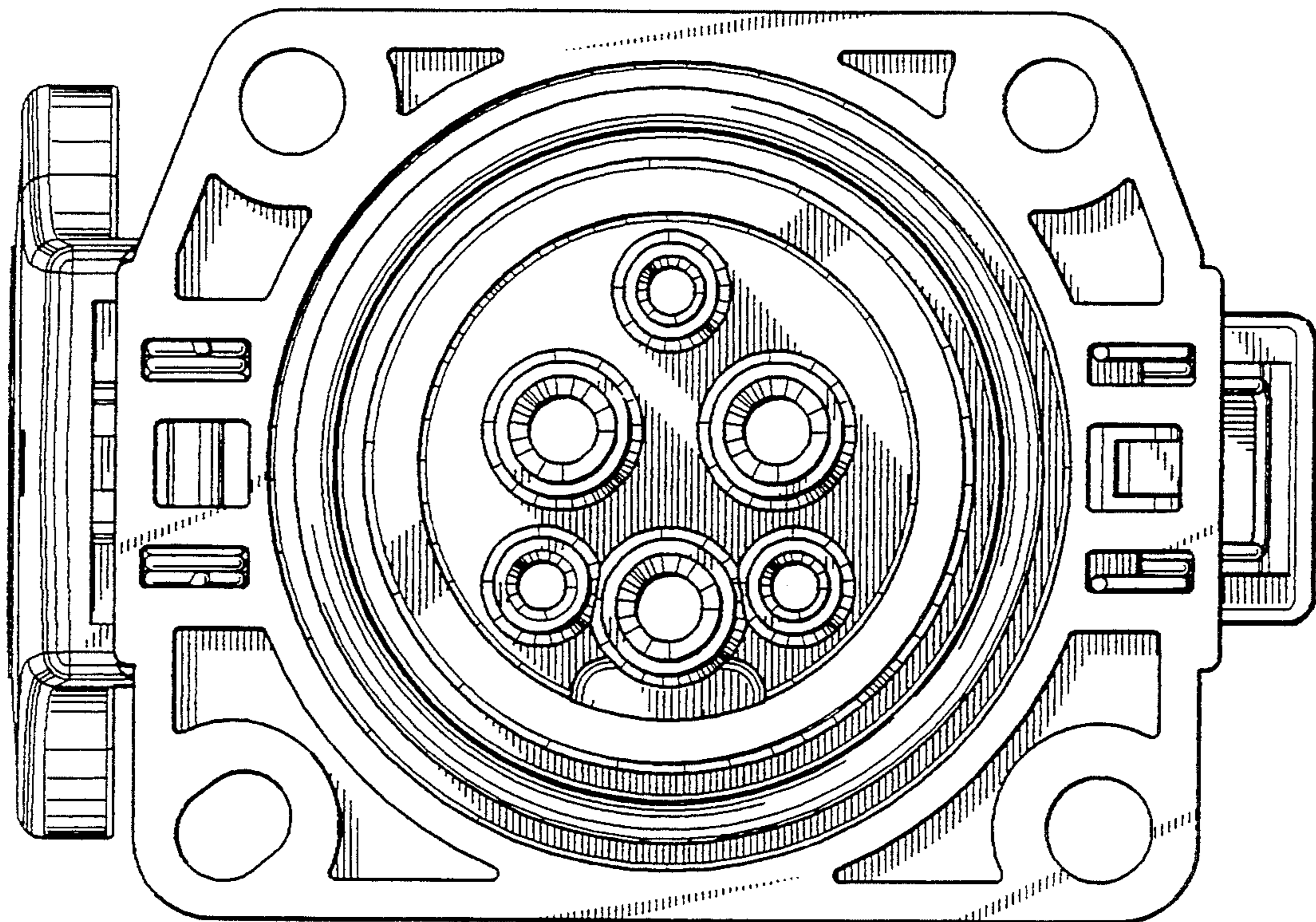


FIG. 13

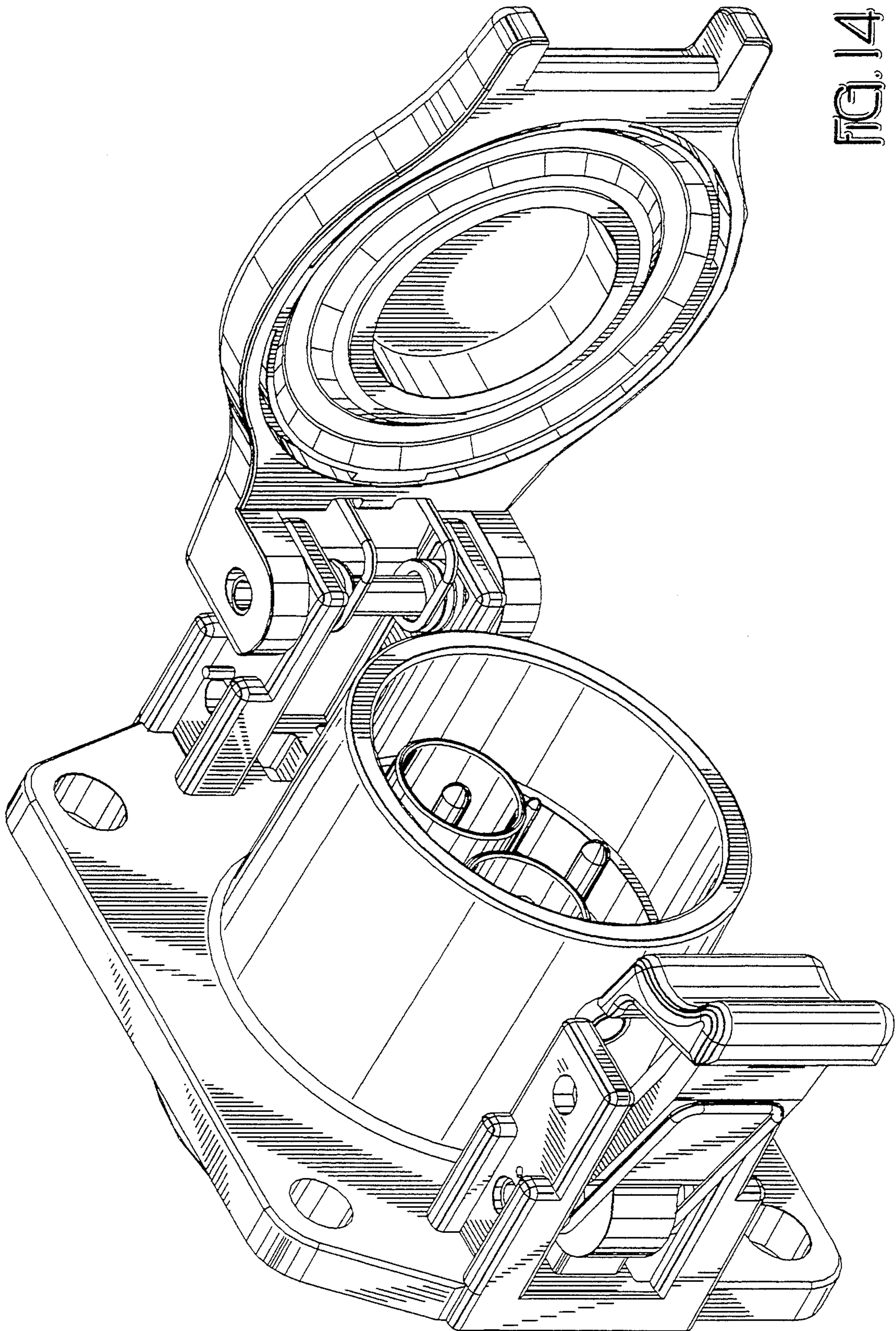


FIG. 14

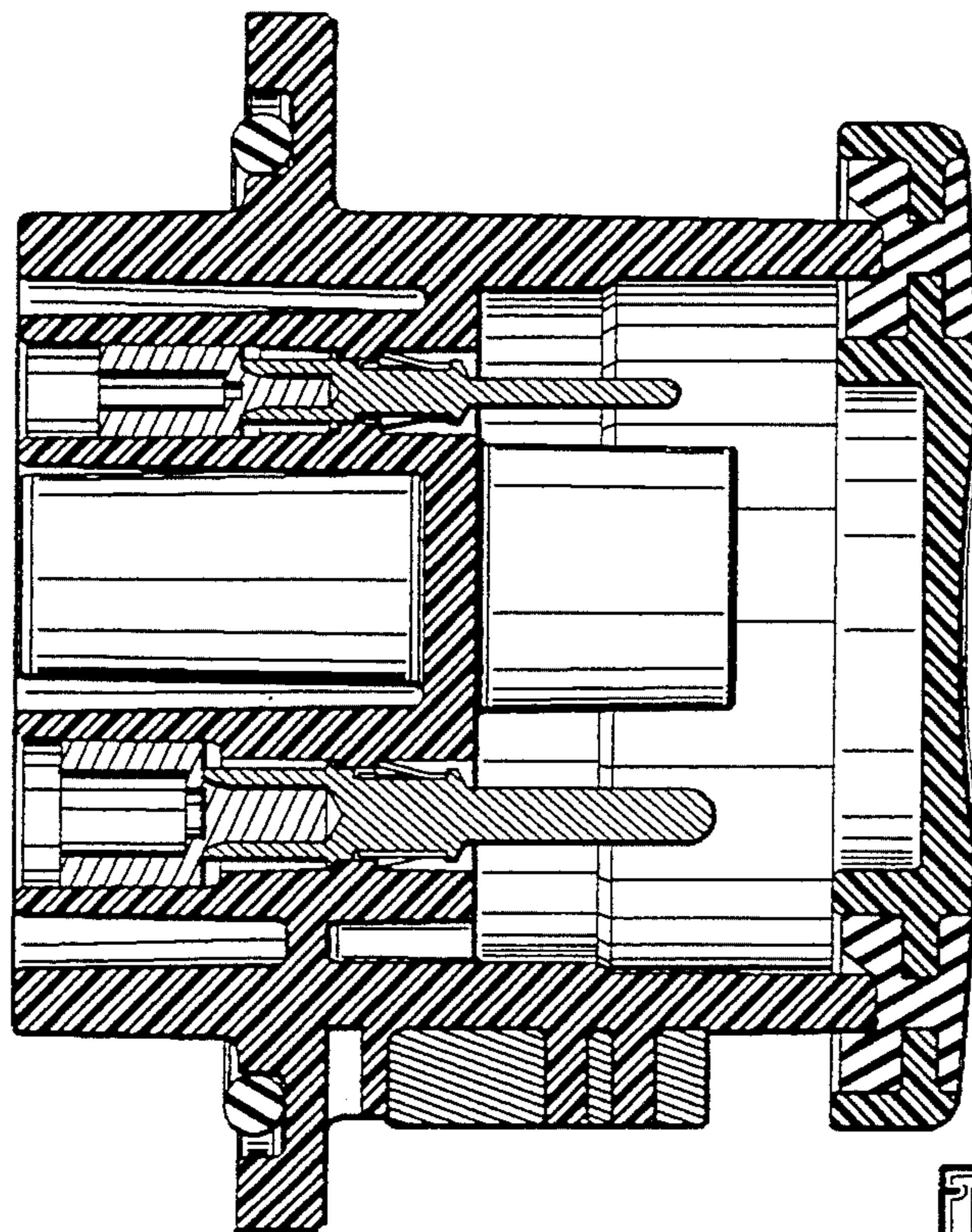


FIG. 15