



US00D361312S

United States Patent [19]

Chen

[11] Patent Number: **Des. 361,312**

[45] Date of Patent: **** Aug. 15, 1995**

[54] **ELECTRICAL CONNECTOR FOR AN EXTENSION LINE**

[76] Inventor: **Wen J. Chen**, No. 16, Dong Hwu St., Shih Hyy Jenn, Taipei, Taiwan

[**] Term: **14 Years**

[21] Appl. No.: **27,031**

[22] Filed: **Aug. 11, 1994**

[52] U.S. Cl. **D13/139**

[58] Field of Search **D13/137, 139, 140, 141, D13/143; D26/26; 439/369, 597, 628, 654, 694**

[56] **References Cited**

U.S. PATENT DOCUMENTS

- D. 345,225 3/1994 Ancona et al. D26/26
- D. 346,229 4/1994 Ancona et al. D26/26
- D. 346,360 4/1994 Kiegler D13/143

- 1,918,126 7/1933 Peterson D13/140 X
- 2,311,820 2/1943 Ebbitt 439/694
- 4,946,396 8/1990 Saitoh 439/628 X

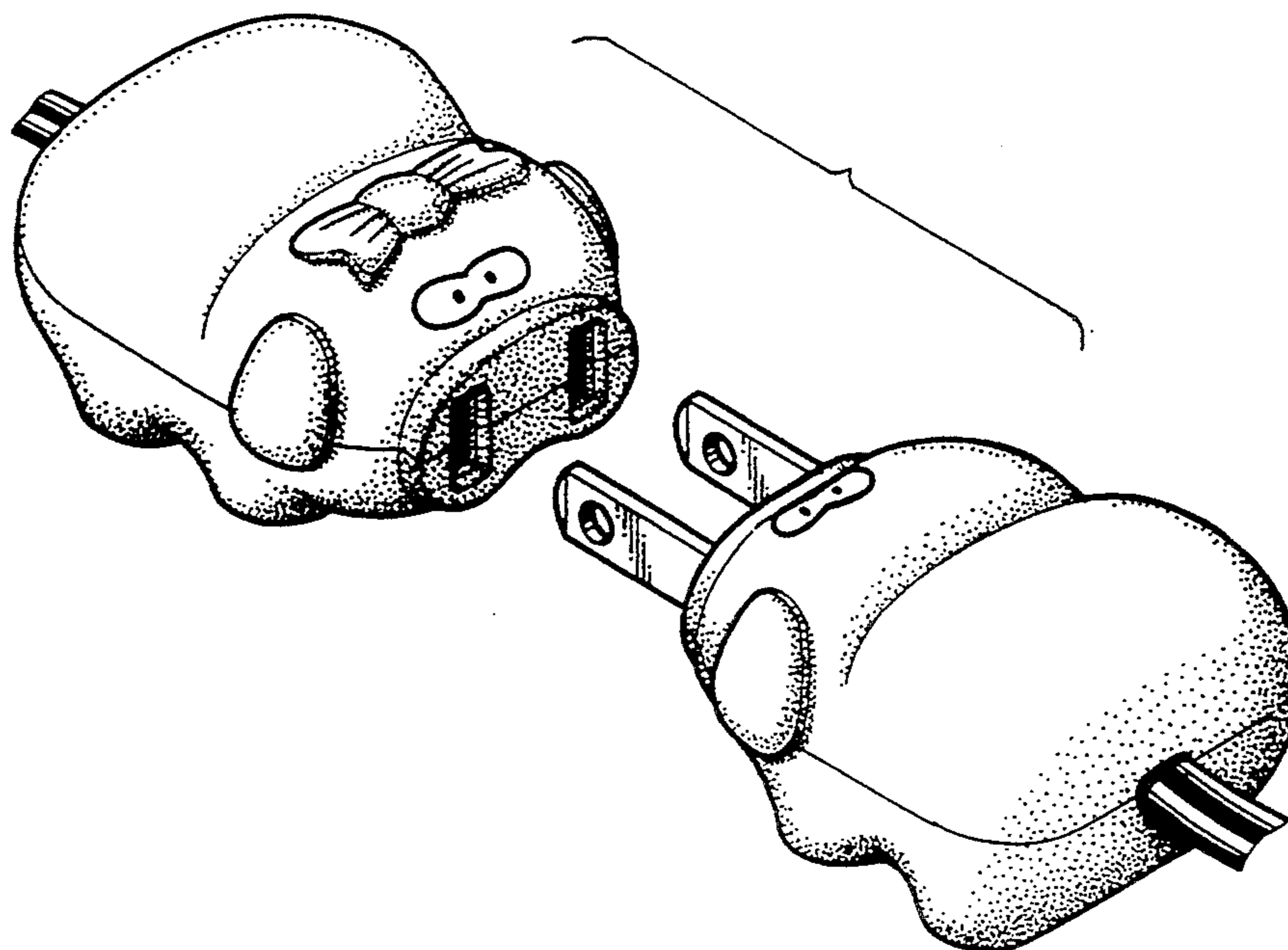
Primary Examiner—Joel Sincavage
Attorney, Agent, or Firm—Pro-Techtor International

[57] **CLAIM**

The ornamental design for a electrical connector for an extension line, as shown.

DESCRIPTION

FIG. 1 is a front view of the present design; FIG. 2 is a back view of the design; FIG. 3 is a left side view of the design; FIG. 4 is a right side view of the design; FIG. 5 is a top view of the design; FIG. 6 is a bottom view of the design; FIG. 7 is a stereographic view of the design; and, FIG. 8 is a stereographic view of the design.



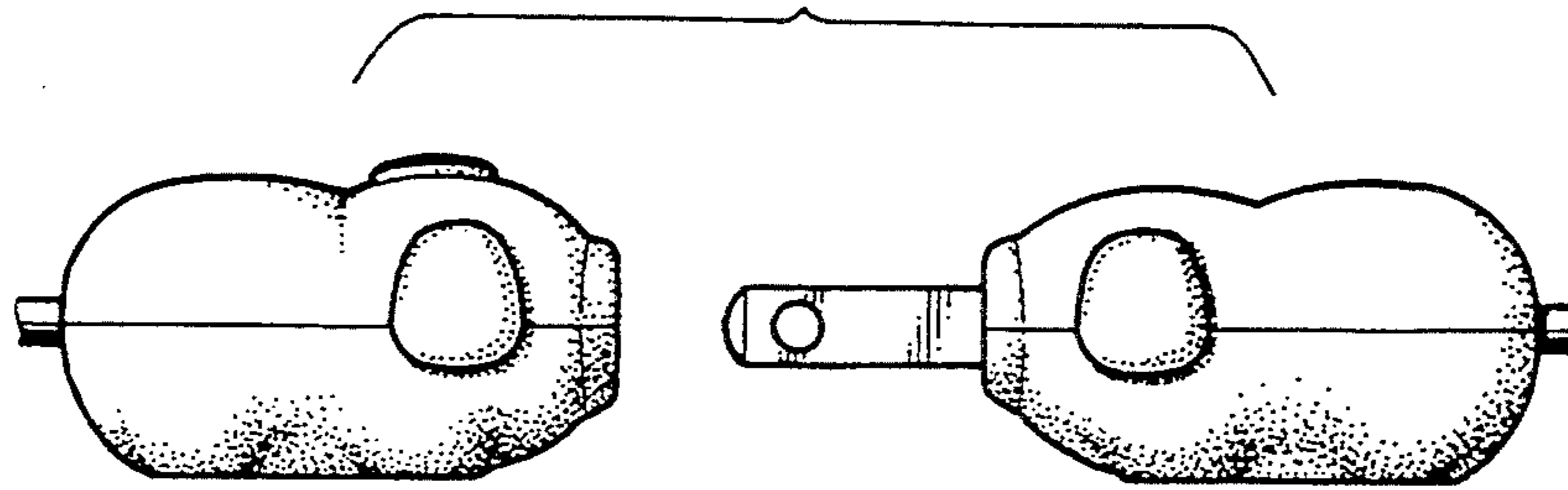


Fig. 1

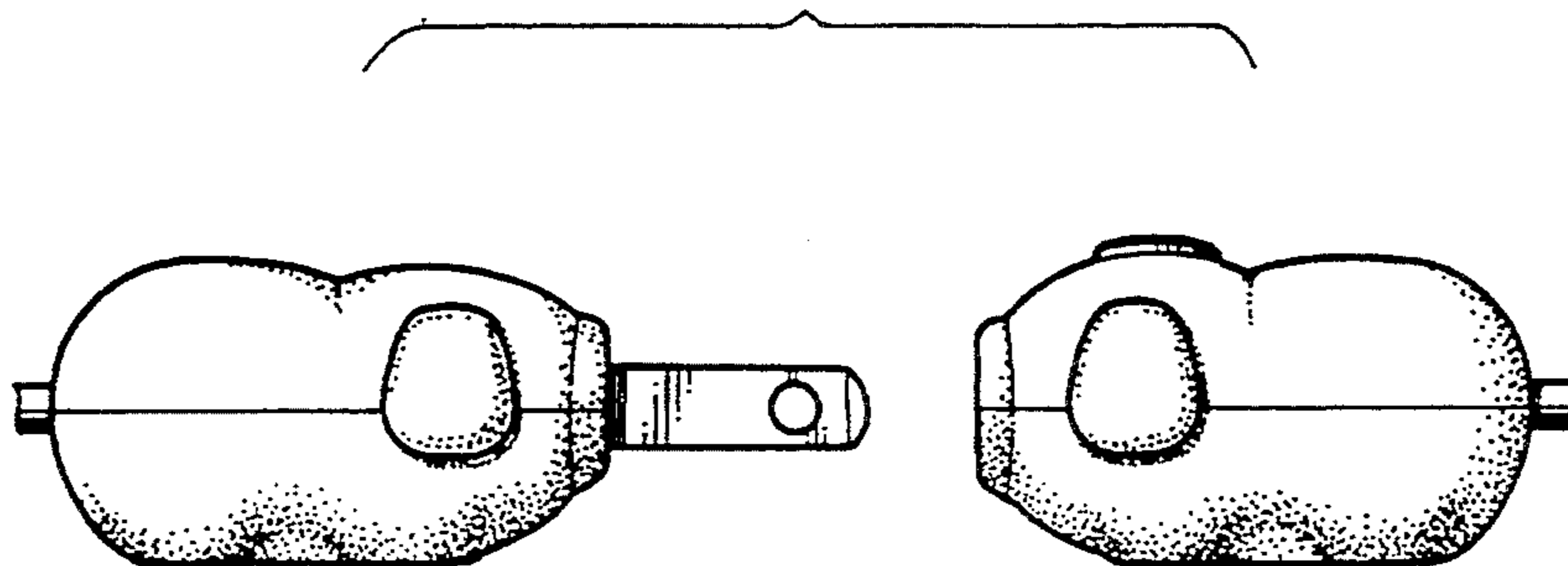


Fig. 2

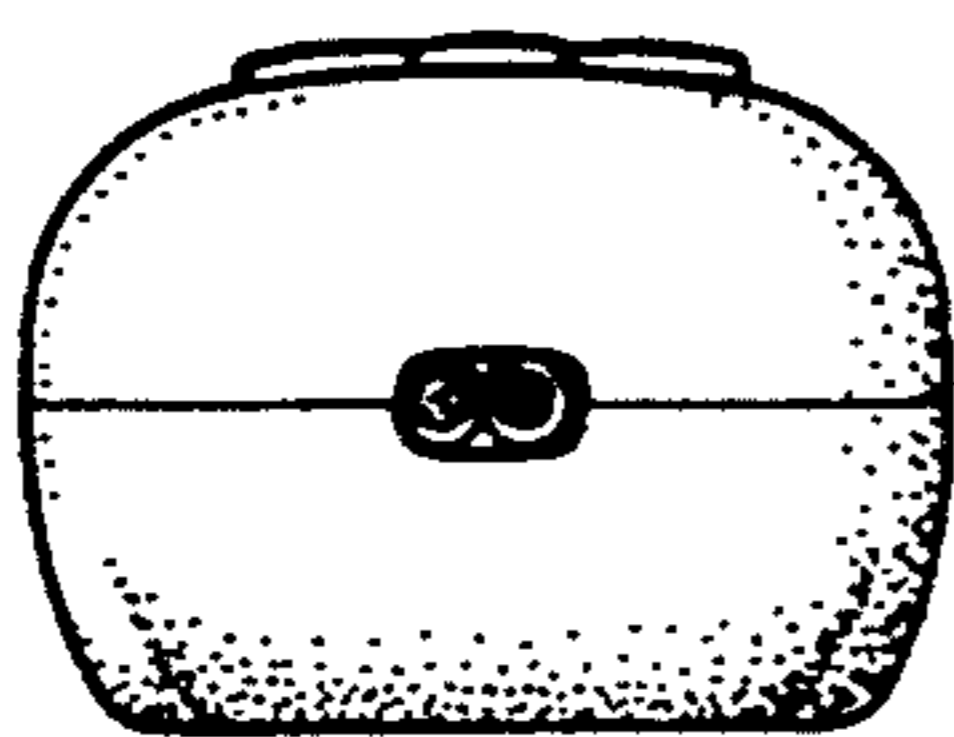


Fig. 3

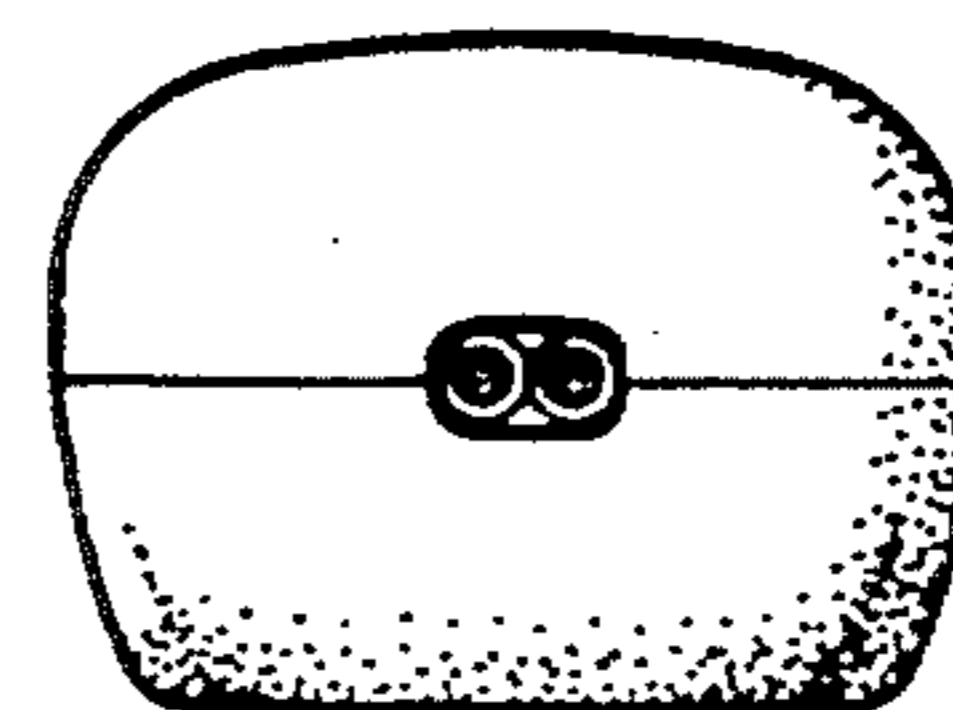


Fig. 4

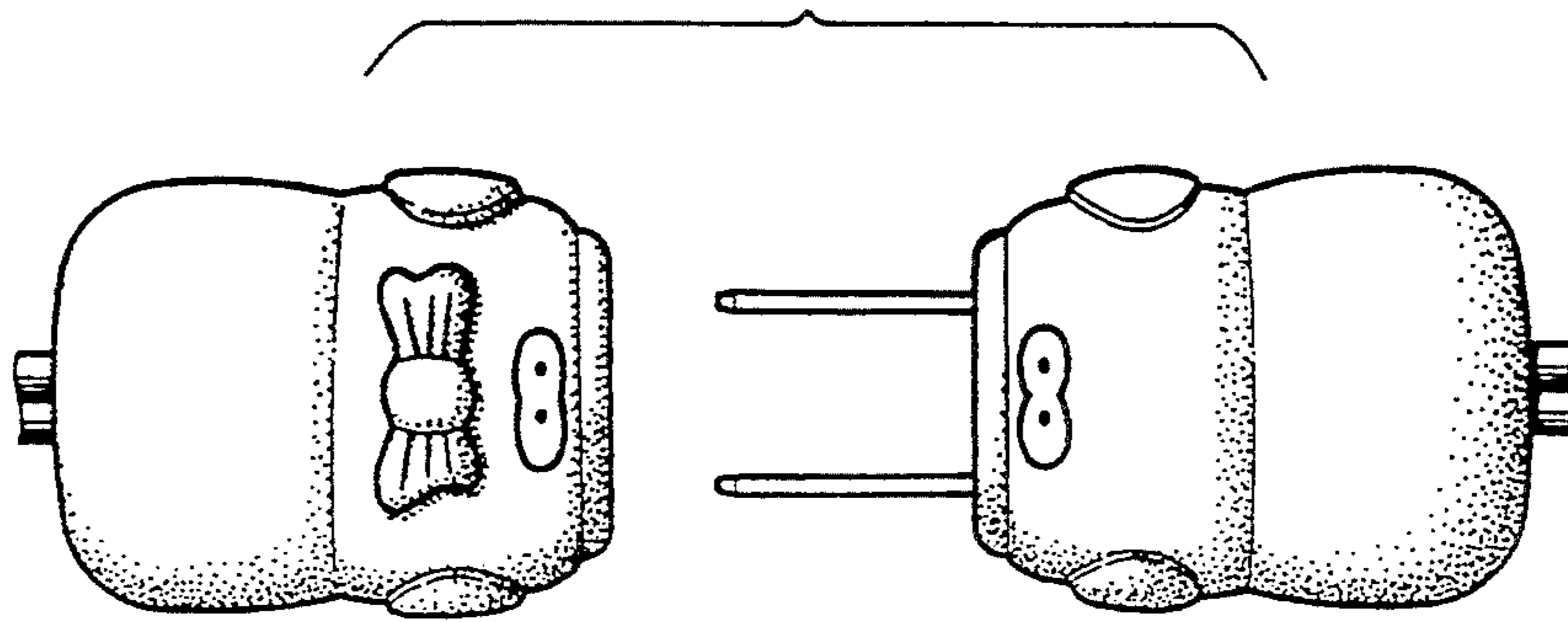


Fig. 5

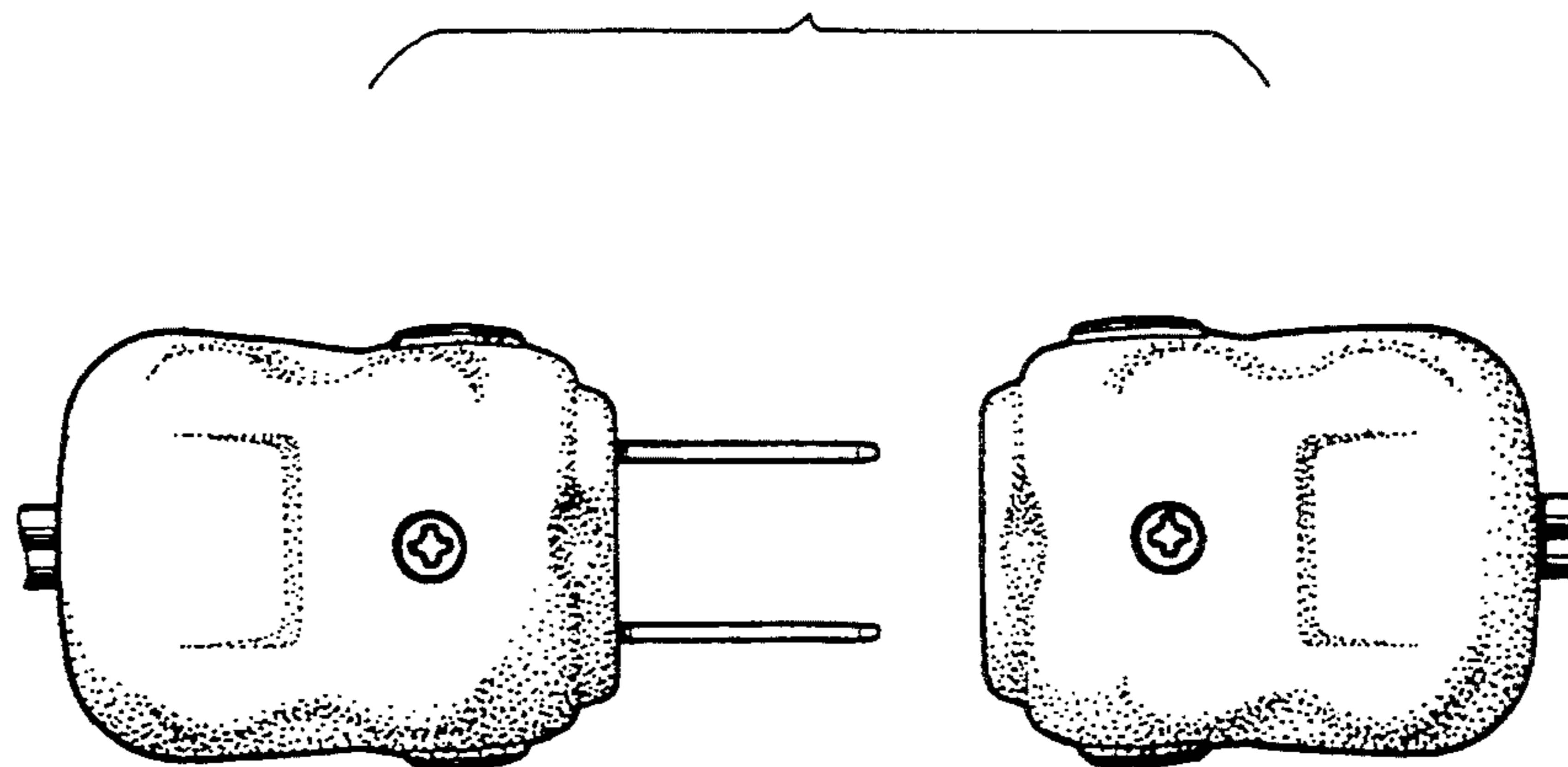


Fig. 6

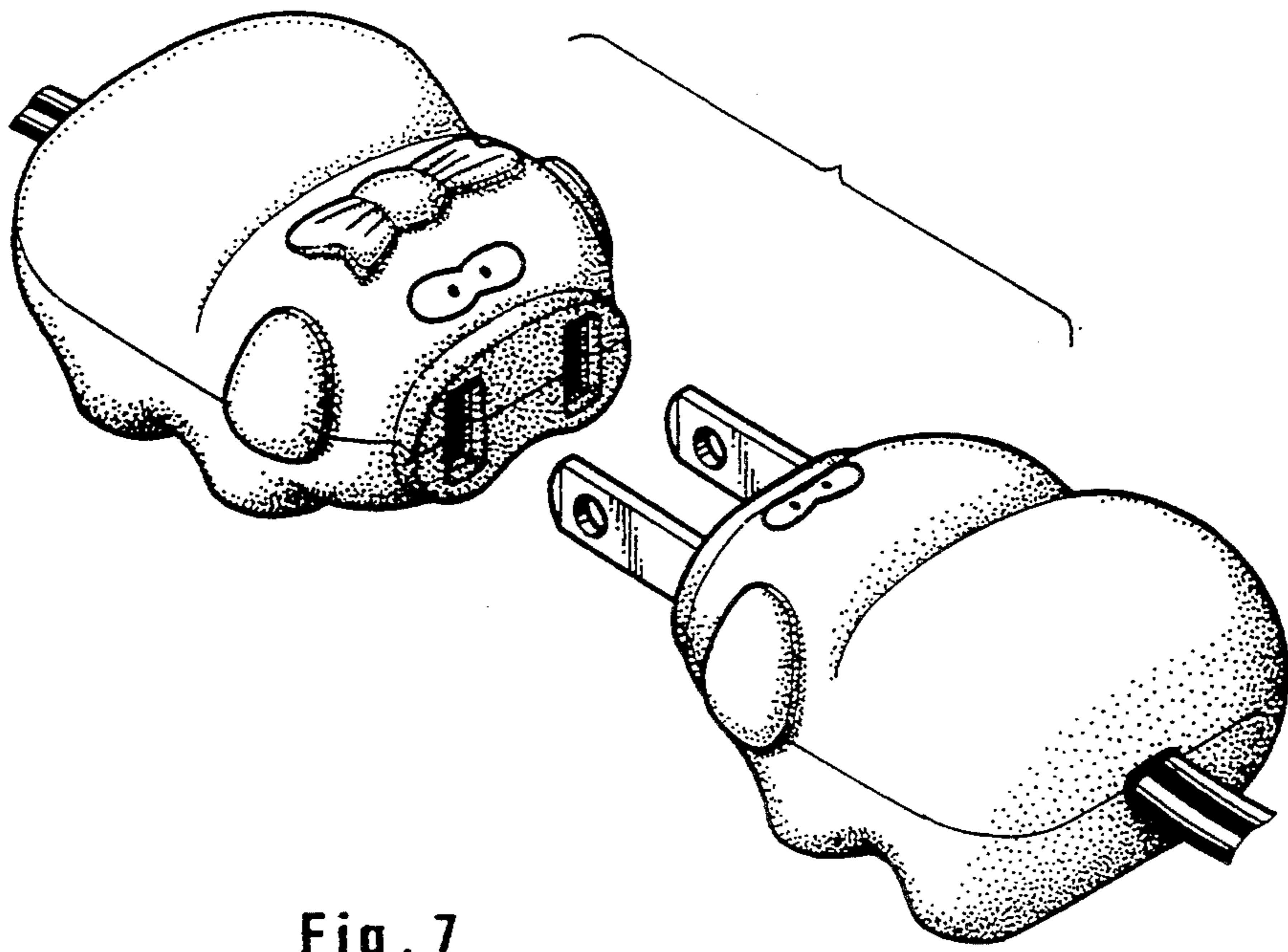


Fig. 7

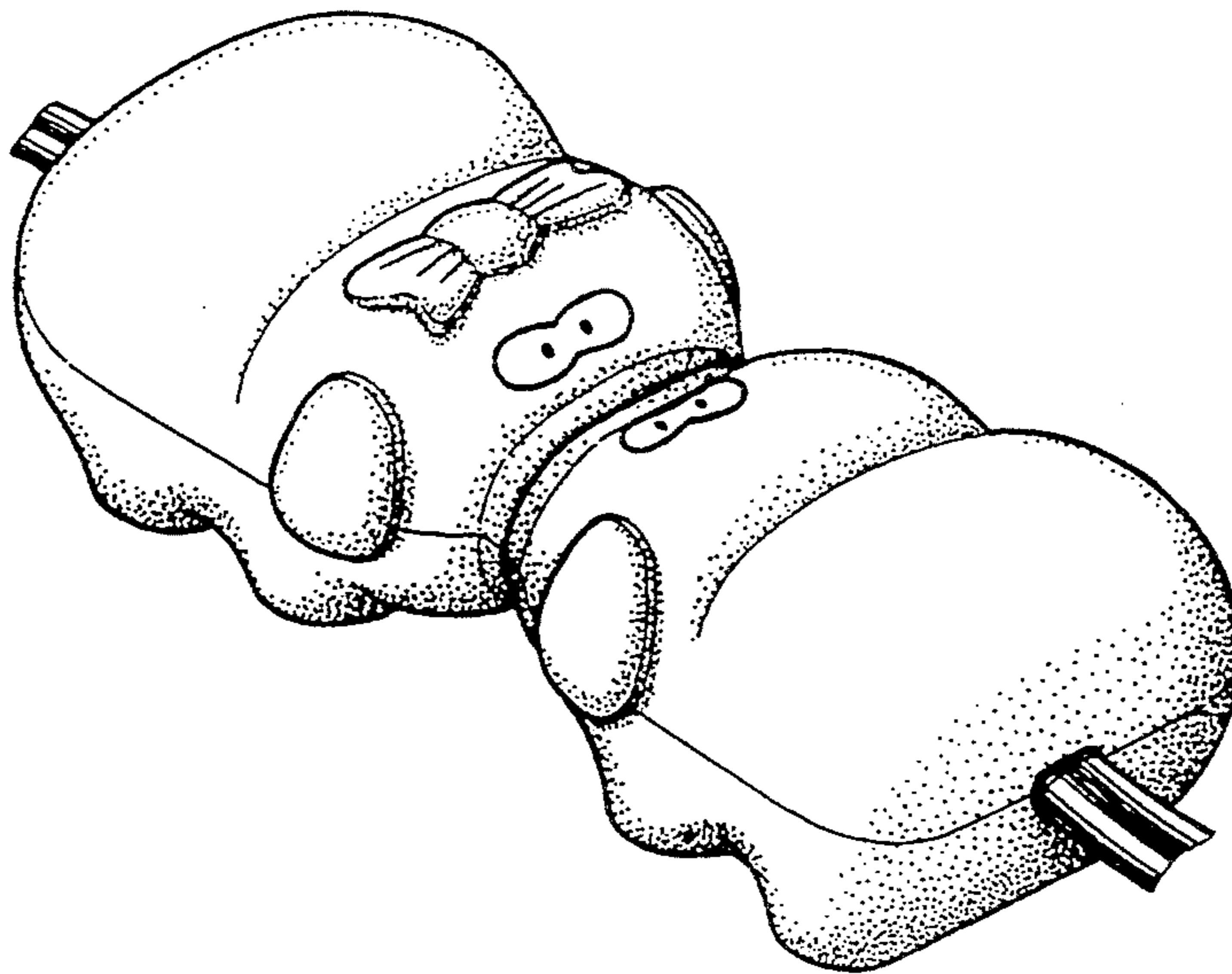


Fig. 8