



US00D361288S

# United States Patent [19]

[11] Patent Number: **Des. 361,288**

Chandwick et al.

[45] Date of Patent: **\*\* Aug. 15, 1995**

[54] **HANDHELD TELEVISION MONITORING INSTRUMENT**

[75] Inventors: **Paul H. Chandwick**, Beaverton; **Scott R. Ketterer**, Hillsboro, both of Oreg.; **Thor R. Culverhouse**, Kirkland, Wash.; **Robert C. Proebstel**, Aloha, Oreg.

[73] Assignee: **Tektronix, Inc.**, Wilsonville, Oreg.

[\*\*] Term: **14 Years**

[21] Appl. No.: **20,097**

[22] Filed: **Mar. 18, 1994**

[52] U.S. Cl. .... **D10/78**

[58] Field of Search ..... **D10/78; 324/76.19; 250/332; 342/179, 351; 364/485; 378/102, 103, 104, 106, 110, 111, 114, 136, 138; 367/17, 25, 26**

[56] **References Cited**

**U.S. PATENT DOCUMENTS**

D. 287,830	1/1987	Schwan	.....	D10/57
D. 293,907	1/1988	Matsuo	.....	D14/81
D. 306,581	3/1990	Kautz	.....	D14/126
D. 311,531	10/1990	Saeki et al.	.....	D14/126
D. 313,563	1/1991	Mieczkowski et al.	.....	D10/78
D. 327,226	6/1992	Kim	.....	D10/78
D. 328,439	8/1992	Ormand et al.	.....	D10/75

D. 330,171	10/1992	Wilson et al.	.....	D10/81
D. 331,200	11/1992	Garcia-Victoria	.....	D10/65
D. 331,711	12/1992	Cervas	.....	D10/78
D. 332,227	1/1993	Kaneko et al.	.....	D10/46
D. 336,619	6/1993	Dushane et al.	.....	D10/28
D. 339,537	9/1993	Willnauer et al.	.....	D10/78
D. 339,994	10/1993	Rohmann	.....	D10/78
5,077,771	12/1991	Skillicorn et al.	.....	378/102

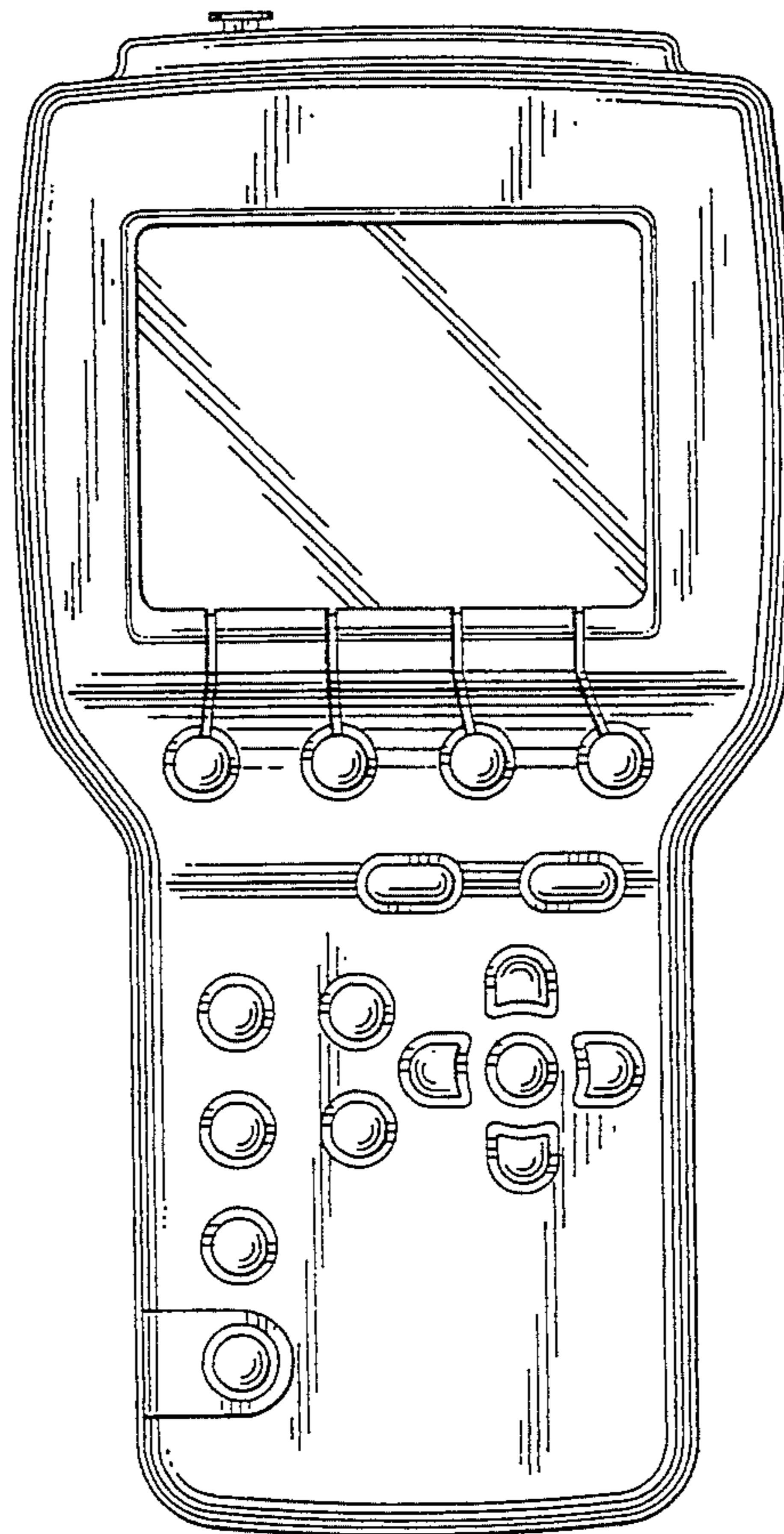
*Primary Examiner*—Antoine Duval Davis  
*Attorney, Agent, or Firm*—Francis I. Gray

[57] **CLAIM**

The ornamental design for a handheld television monitoring instrument, as shown.

**DESCRIPTION**

FIG. 1 is a front plan view of a handheld television monitoring instrument according to the present invention; FIG. 2 is a rear plan view of the handheld television monitoring instrument; FIG. 3 is a top plan view of the handheld television monitoring instrument; FIG. 4 is a bottom plan view of the handheld television monitoring instrument; FIG. 5 is a left side plan view of the handheld television monitoring instrument; and, FIG. 6 is a right side plan view of the handheld television monitoring instrument.



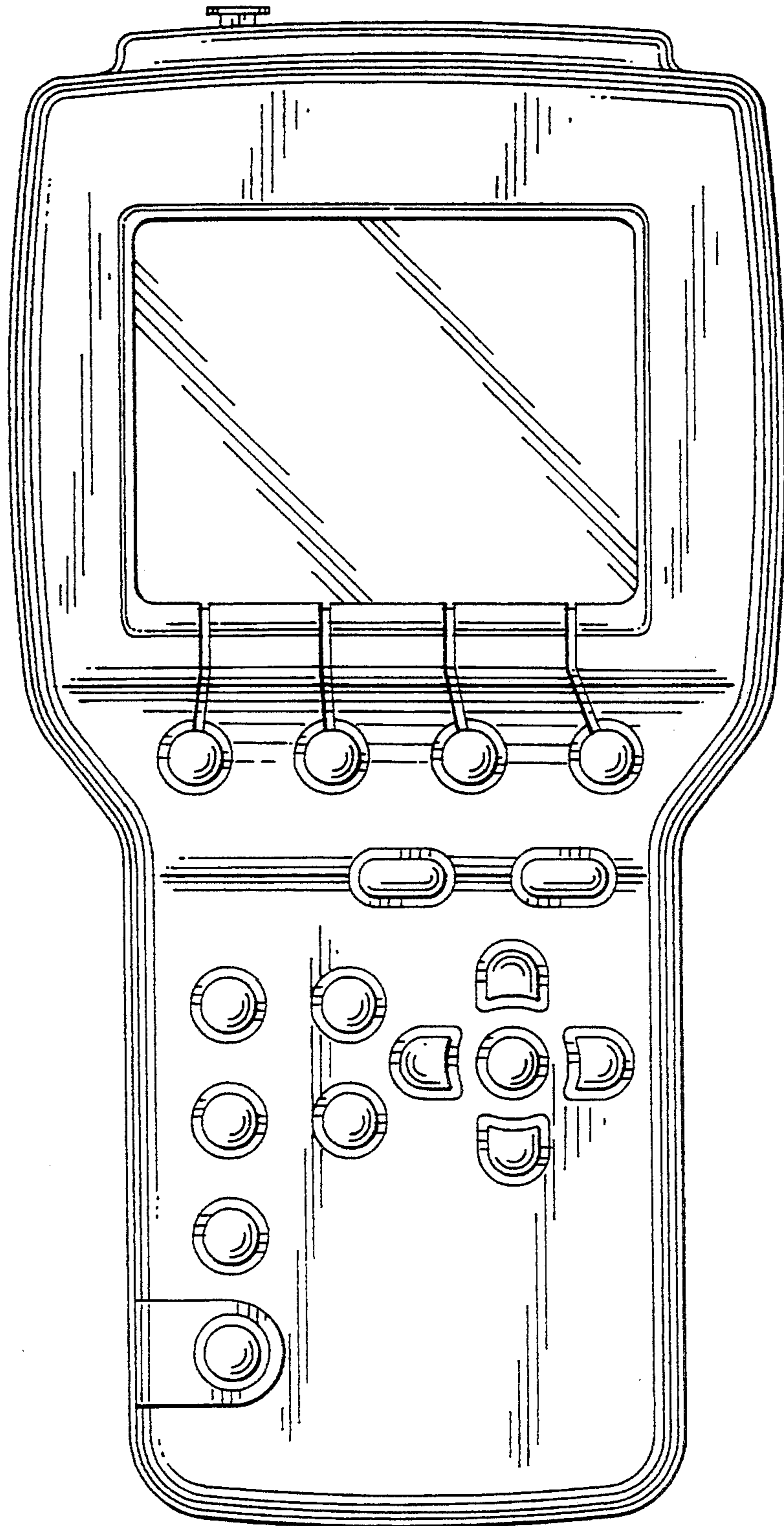


Fig.1

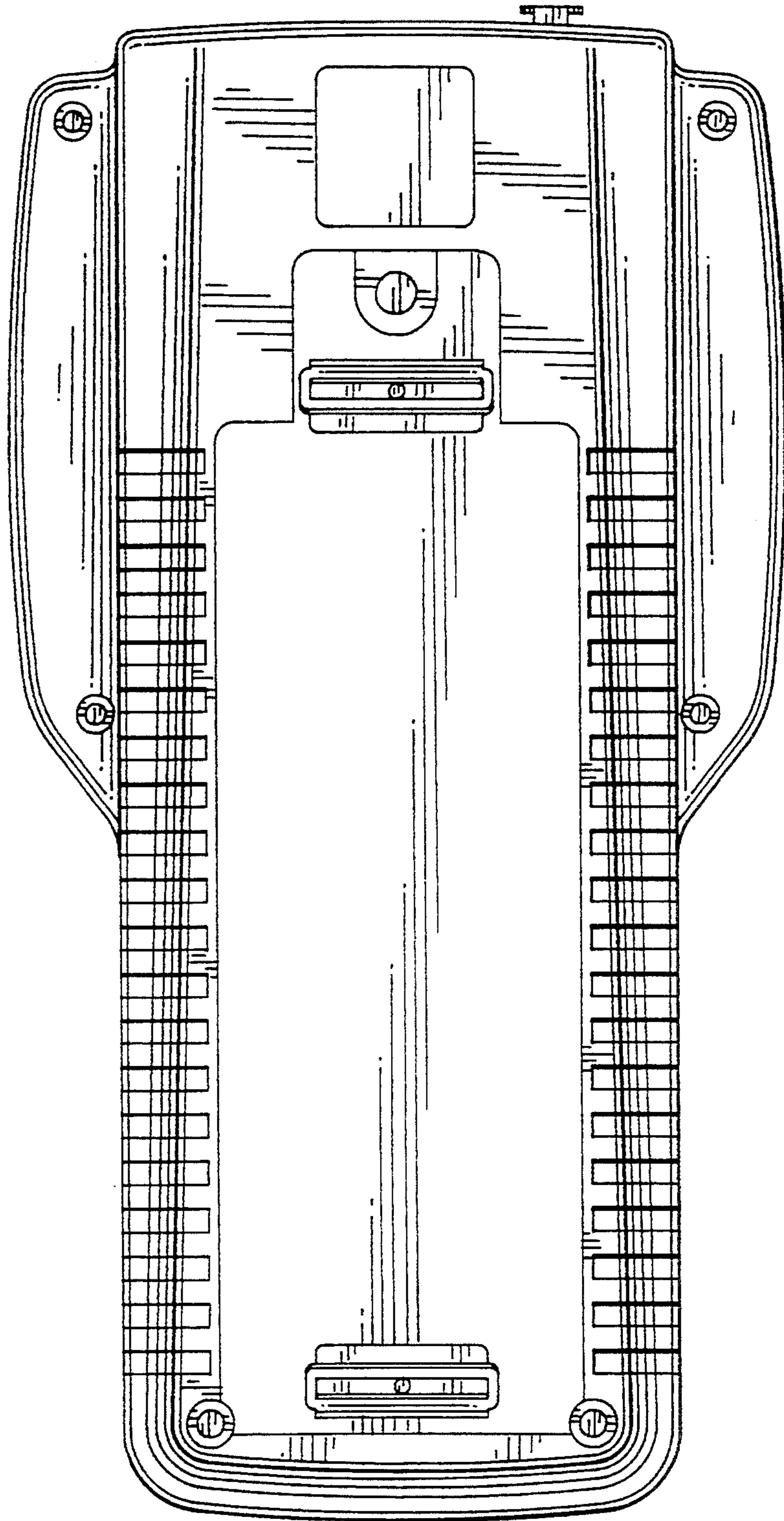


Fig.2

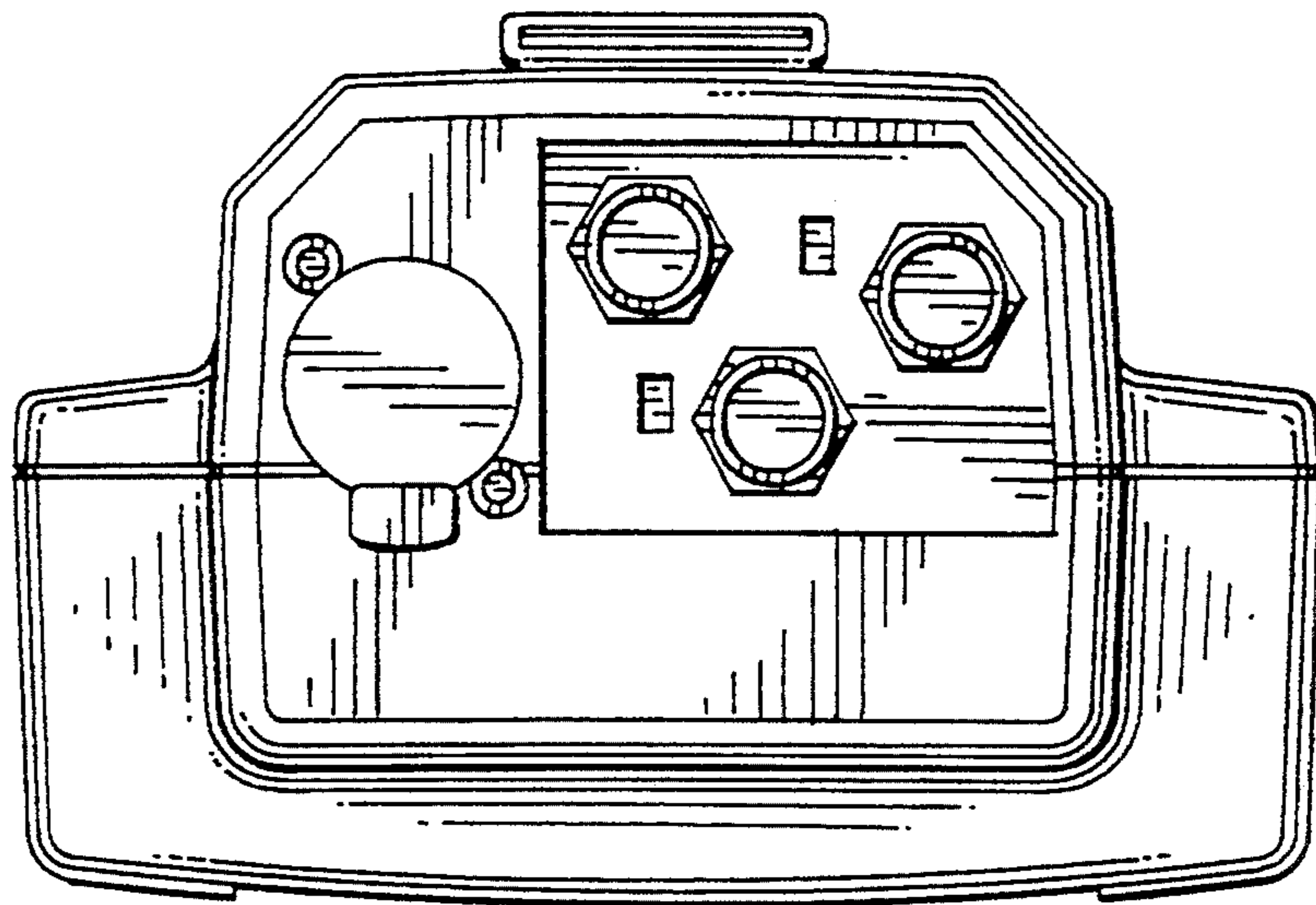


Fig.3

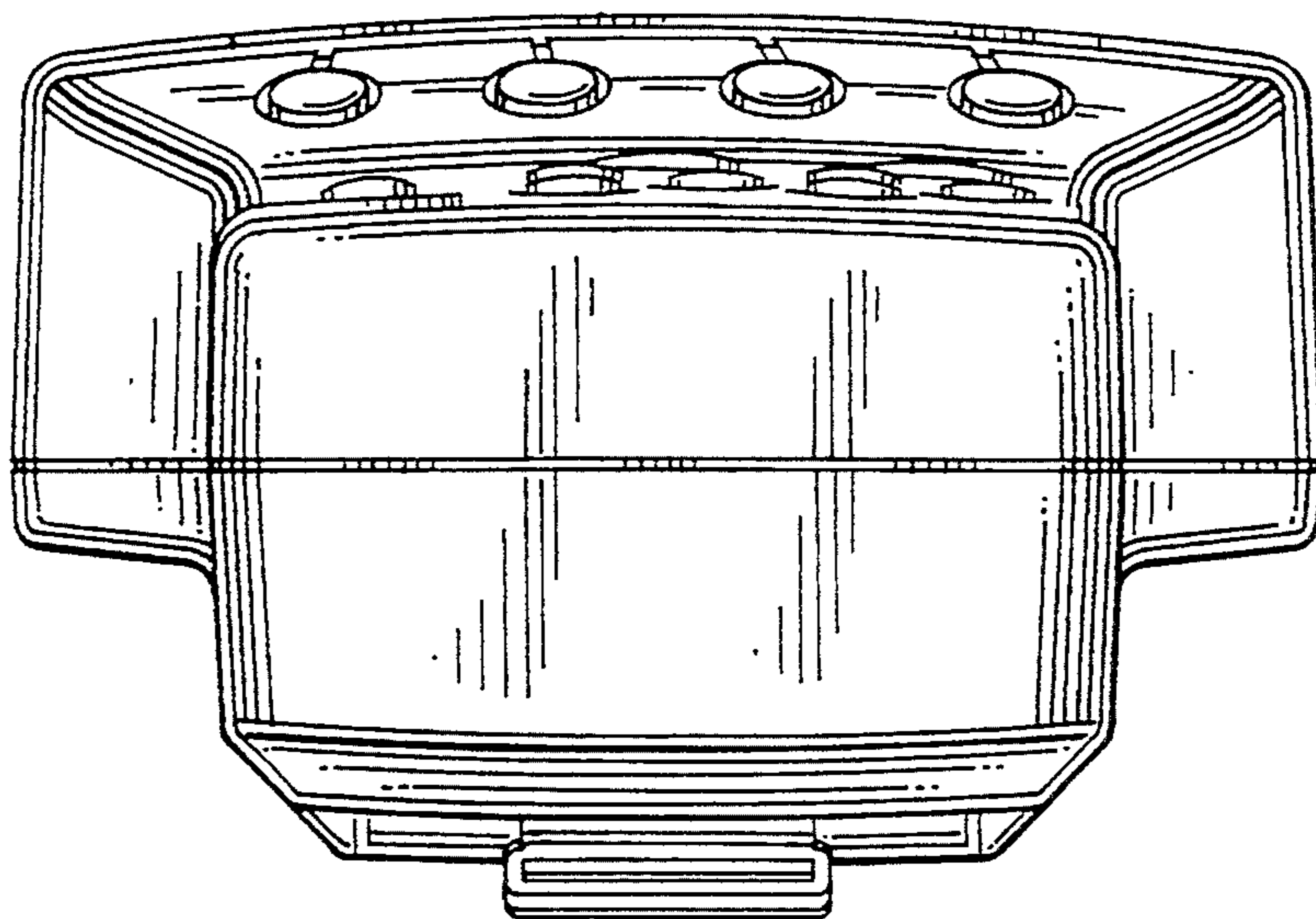


Fig.4

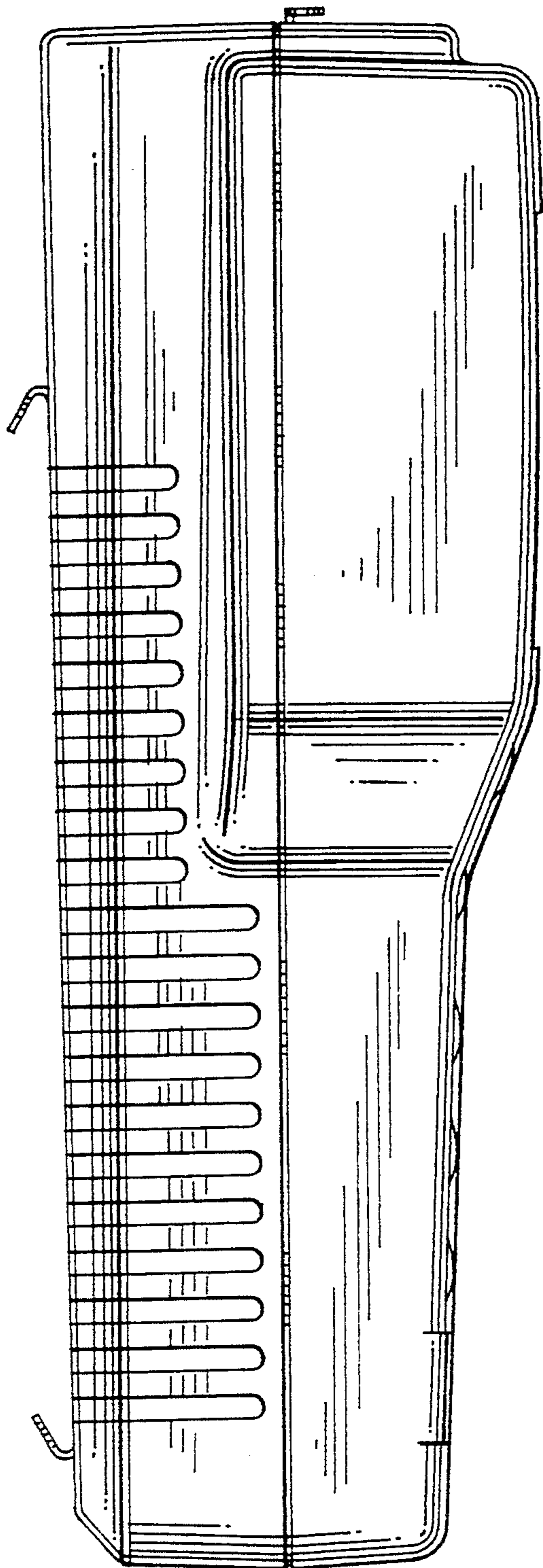


Fig.5

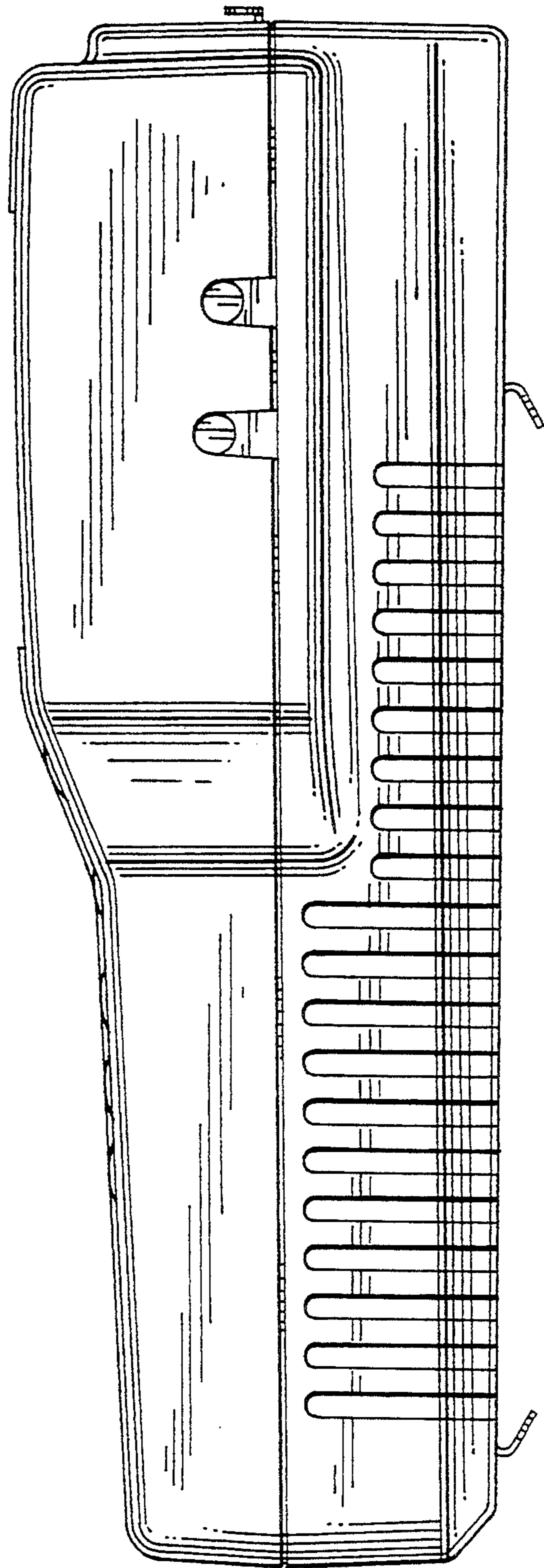


Fig.6