



US00D361273S

United States Patent [19] Maple

[11] Patent Number: Des. 361,273

[45] Date of Patent: ** Aug. 15, 1995

[54] **OUTDOOR INSTRUMENT HOUSING**

[75] Inventor: **Wade A. F. Maple**, Sherrills Ford, N.C.

[73] Assignee: **The Little Tikes Company**, Hudson, Ohio

[**] Term: **14 Years**

[21] Appl. No.: **8,821**

[22] Filed: **May 27, 1993**

[52] U.S. Cl. **D10/1; D10/22; D10/57**

[58] Field of Search **D10/1-40, D10/122-132, 50-53, 57; 368/10, 11, 285, 276-277**

[56] **References Cited**

U.S. PATENT DOCUMENTS

- D. 30,399 3/1899 Perouze D10/1 X
- D. 103,929 4/1937 Planner D10/126 X
- D. 295,964 5/1988 Woodward D10/22

OTHER PUBLICATIONS

Hong Kong Enterprise—Jan. 1986—p. 193 clocks (3) at top-right & (3) at bottom-left.

Hong Kong Enterprise—Jun. 1990—p. 180—clock at center-left.

Pp. 7 & 8, Clock Thermometer, Opus Inc., P.O. Box 525, Bellingham, Mass. 02019. Publication Date 1991. Sell Sheet, Clock & Thermometer; MM Industries, P.O. Box 60127, Pasadena, Calif. 91106. It is believed that the product depicted herein has been on sale for more than one (1) year prior to the application date of this instant application.

P. 3, Clock; Best Products, Address Unknown. Publication Date Jul., 1993.

Primary Examiner—Nelson C. Holtje

Attorney, Agent, or Firm—Richard B. O'Planick; Lisa B. Riedesel

[57] **CLAIM**

The ornamental design for an outdoor instrument housing, as shown and described.

DESCRIPTION

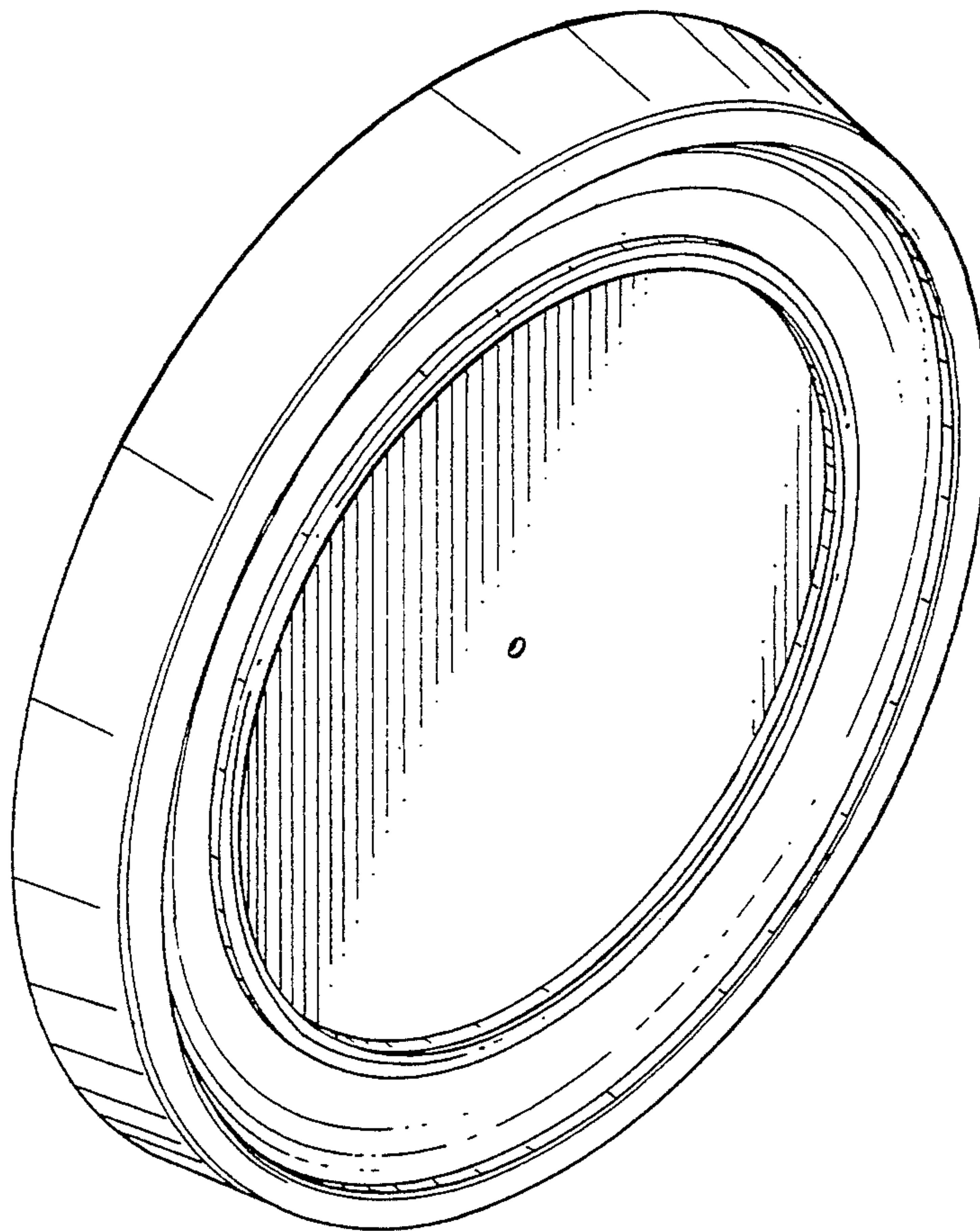
FIG. 1 is a top left front perspective view of an outdoor instrument housing showing my new design;

FIG. 2 is a top plan view thereof, the bottom and side plan views being a mirror image;

FIG. 3 is a front elevational view thereof;

FIG. 4 is a rear elevational view thereof; and,

FIG. 5 is a cross-sectional view thereof taken along line 5—5 of FIG. 3.



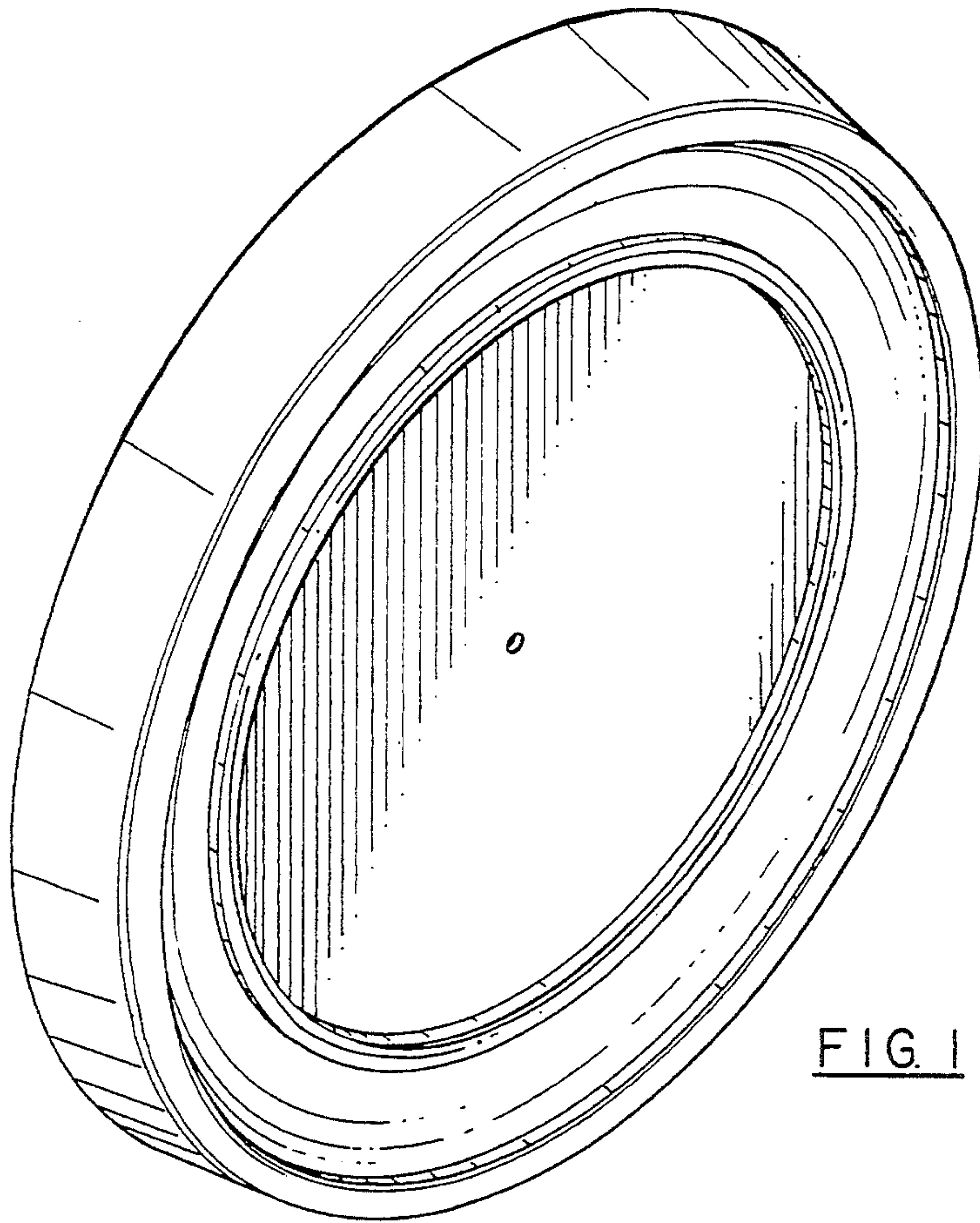


FIG. 1

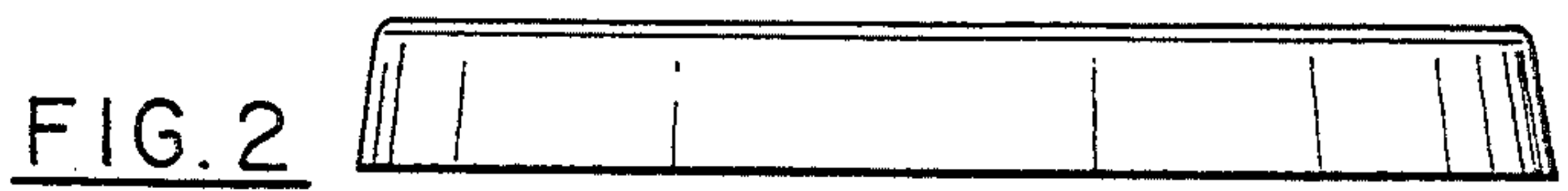


FIG. 2

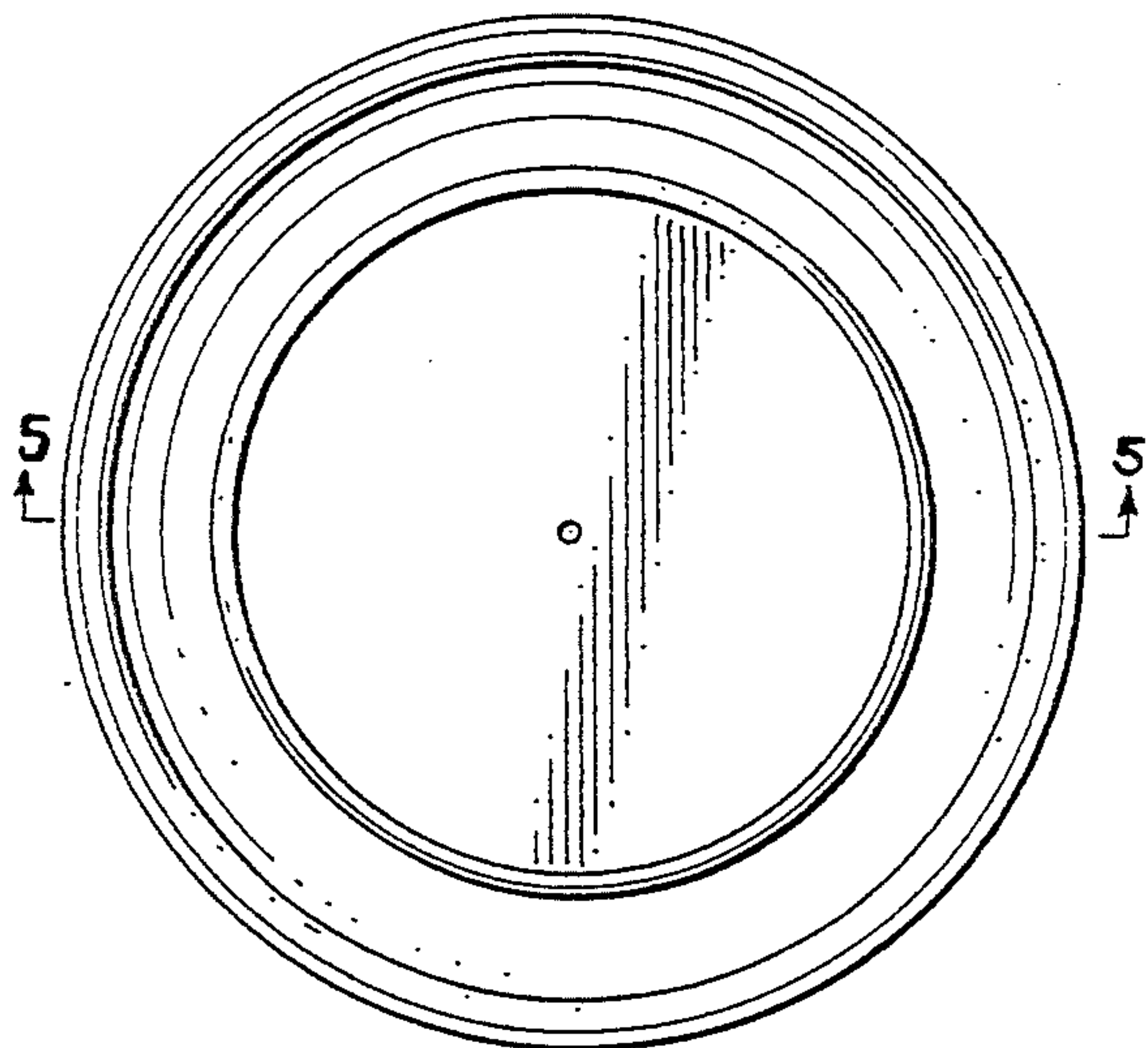


FIG. 3

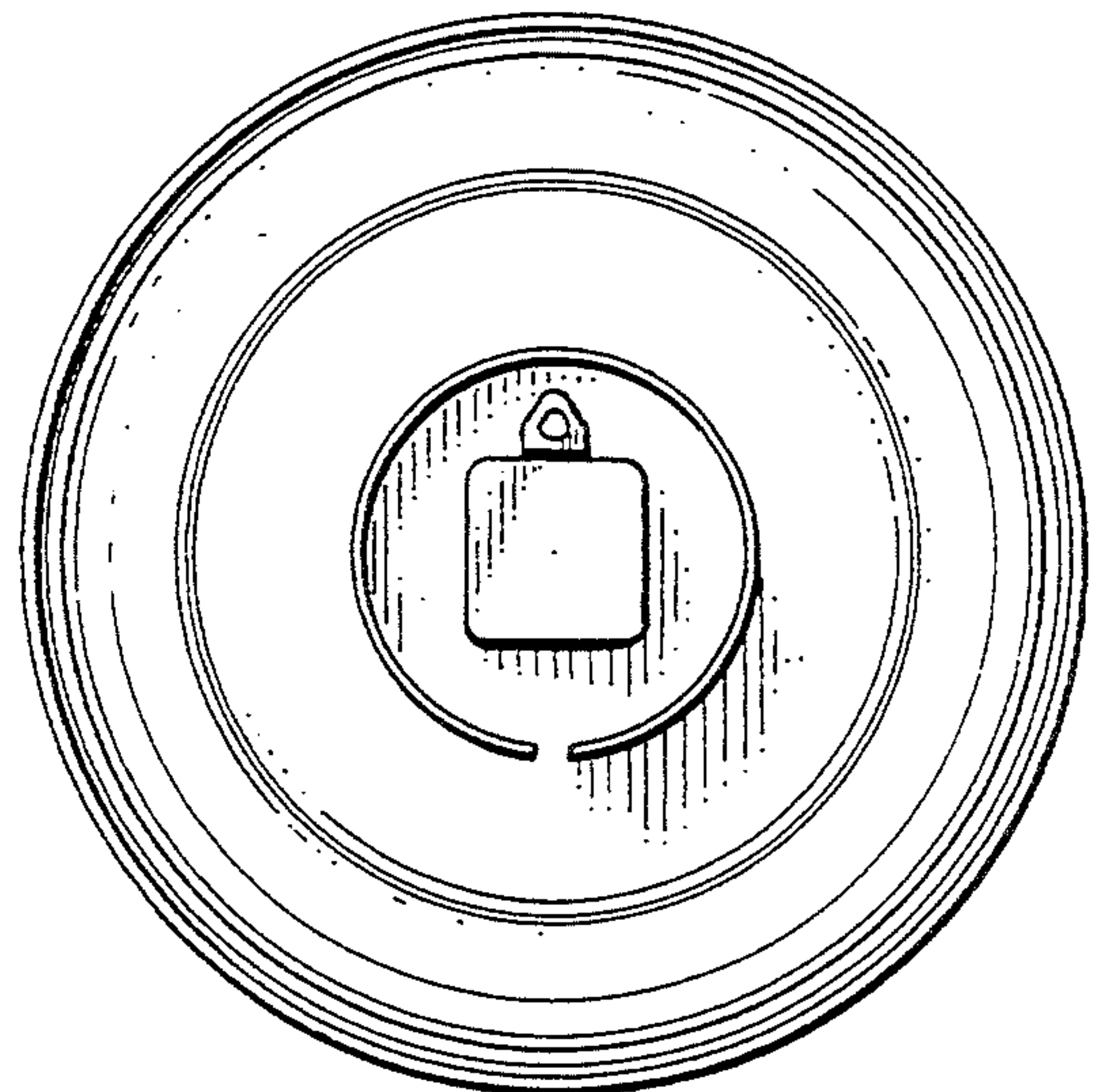


FIG. 4

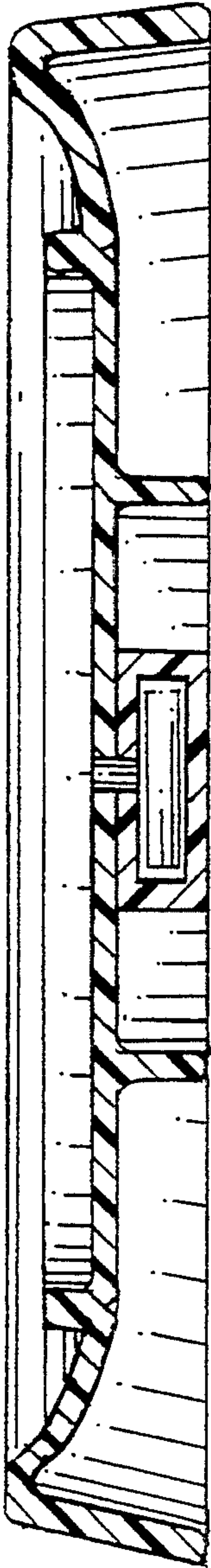


FIG. 5