



US00D361272S

# United States Patent [19]

[11] Patent Number: **Des. 361,272**

Craft et al.

[45] Date of Patent: **\*\* Aug. 15, 1995**

[54] **CUTTING BOARD AND STRAINER**

[75] Inventors: **Charles W. Craft**, Apple Creek;  
**Mitchell L. Wilgus**, Akron, both of Ohio

[73] Assignee: **Rubbermaid Incorporated**, Wooster, Ohio

[\*\*] Term: **14 Years**

[21] Appl. No.: **13,248**

[22] Filed: **Sep. 22, 1993**

[52] U.S. Cl. .... **D7/698; D7/667**

[58] Field of Search ..... **D7/698, 667; D32/55, D32/56; 269/289 R, 291, 302.1, 303, 315, 900**

[56] **References Cited**

**U.S. PATENT DOCUMENTS**

D. 244,827	6/1977	Nevai	.....	D32/55
D. 254,529	3/1980	Arnoff	.....	D7/667
D. 268,878	5/1983	Taylor	.....	D32/55
1,389,908	9/1921	Shults et al.	.....	D32/55

**OTHER PUBLICATIONS**

Cut'n Clean Cutting Board, food basket & colander Flyer from Star Crest of California.

Label, Colander w/cutting Board; Flair, Holland. Publication Date 1990.

Sell Sheet, Colander/Cutting Board; Transco Housewares, A Div. of Laich Industries, 13225 Lakewood Heights Blvd., Cleveland, Ohio 44107-6289. It is believed that the product depicted herein has been on sale

for more than one (1) year prior to the application of this instant application.

Sell Sheet, In-Sink Dish Drainer; Heller Industries, Address Unknown. It is believed that the product depicted herein has been on sale for more than one (1) year prior to the application date of this instant application. P. 14, Oversink Colander/Cutting Board; Rubbermaid Party Plan, Inc., Chillicothe, Ohio. Publication Date 1980.

P. 3, Mini Drainer; Rubbermaid Incorporated, 1147 Akron Road, Wooster, Ohio 44691. Publication Date 1981.

*Primary Examiner*—Alan P. Douglas

*Assistant Examiner*—Caron D. Veynar

*Attorney, Agent, or Firm*—Richard B. O'Planick; Lisa B. Riedesel

[57] **CLAIM**

The ornamental design for a cutting board and strainer, as shown and described.

**DESCRIPTION**

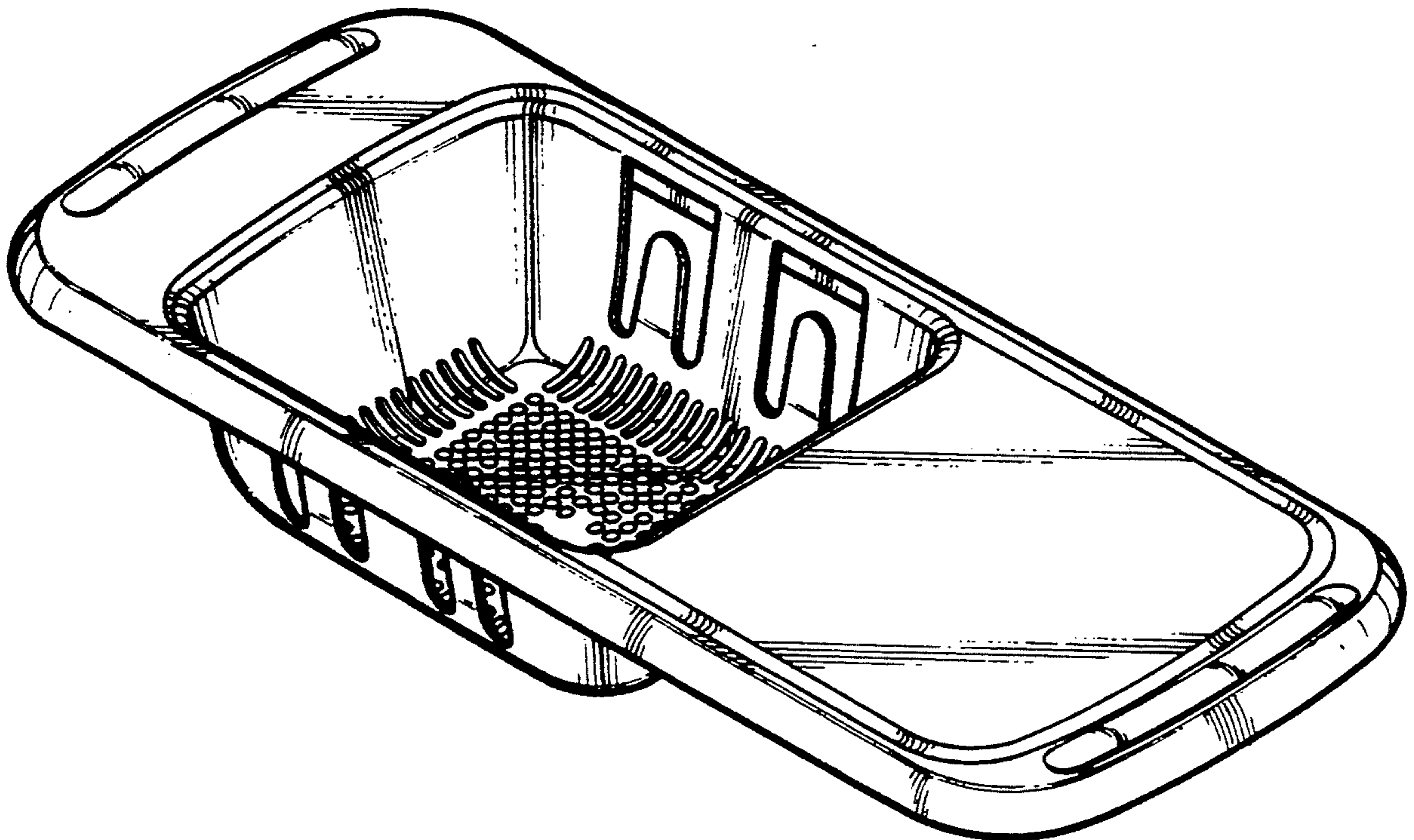
FIG. 1 is a top right front perspective view of a cutting board and strainer showing our new design;

FIG. 2 is a top plan view thereof;

FIG. 3 is a bottom plan view thereof;

FIG. 4 is a front elevational view thereof; the rear elevational view being a mirror image; and,

FIG. 5 is a right side elevational view thereof; the left side elevational view being a mirror image.



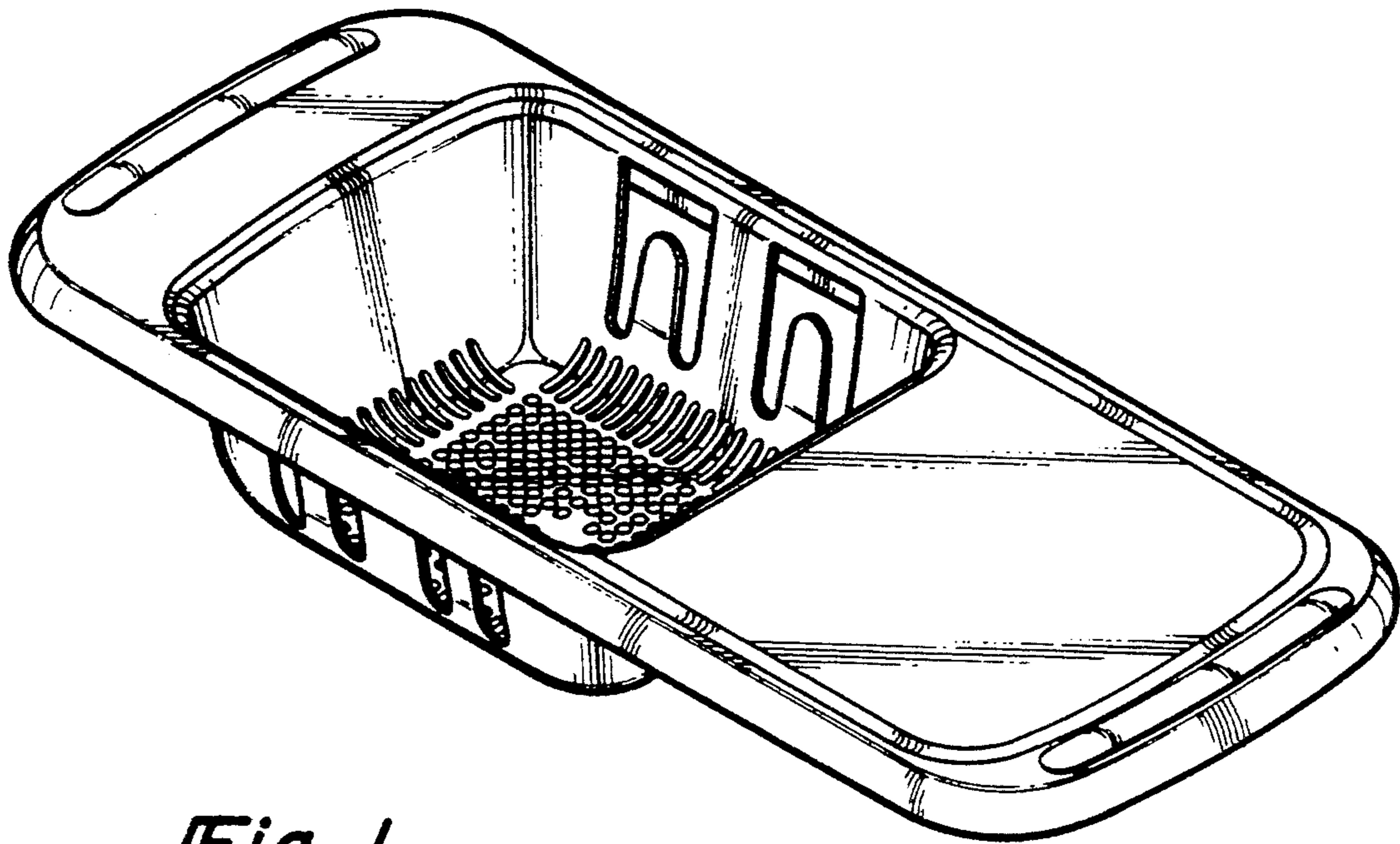


Fig-1

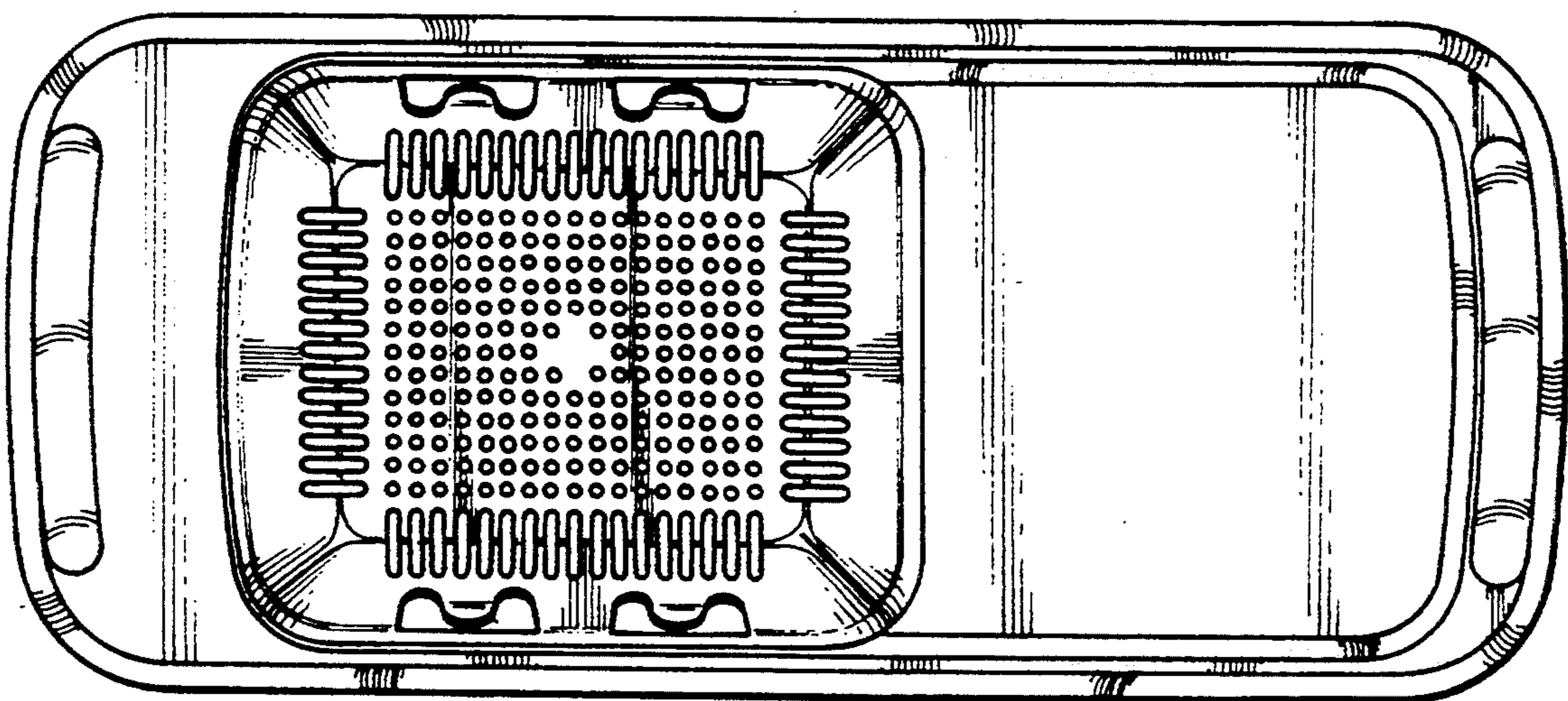


Fig-2

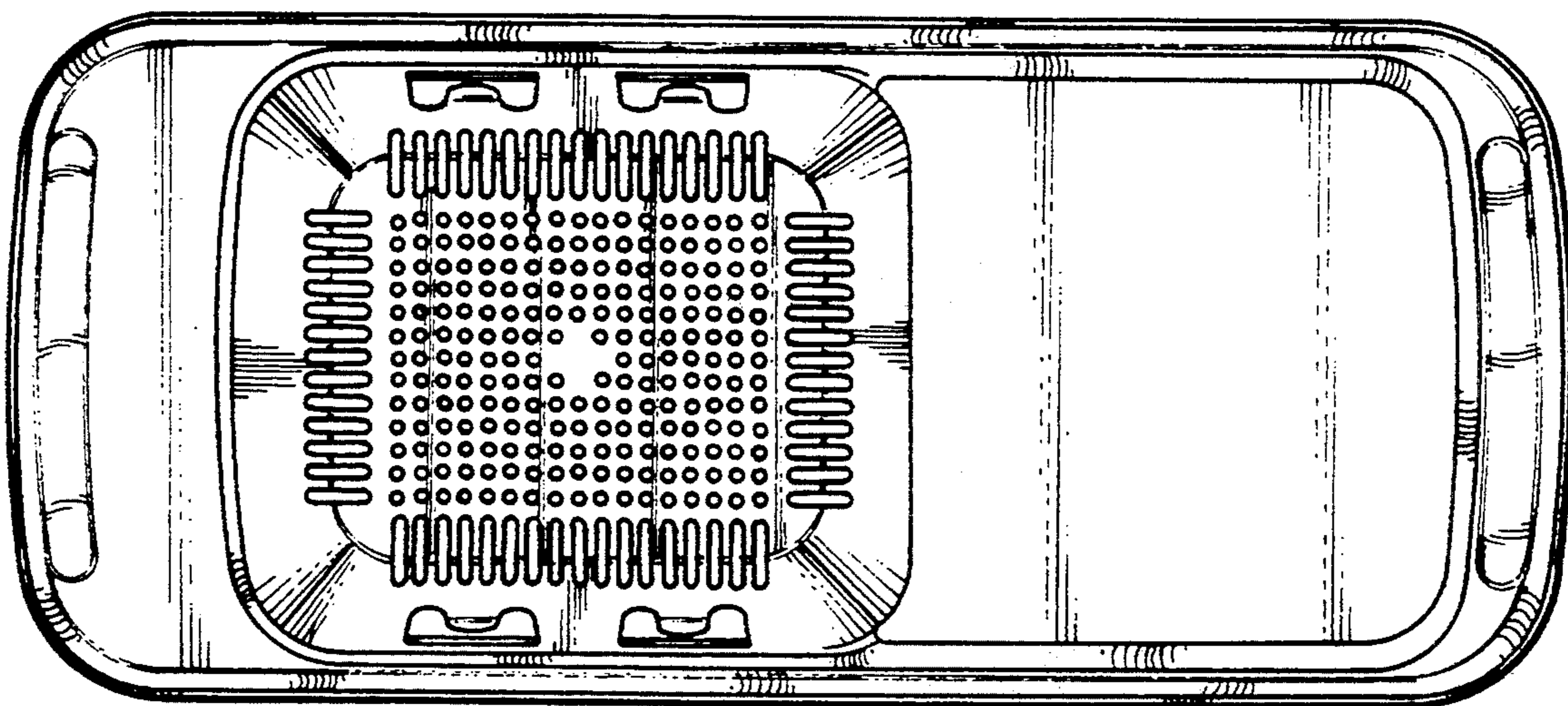


Fig-3

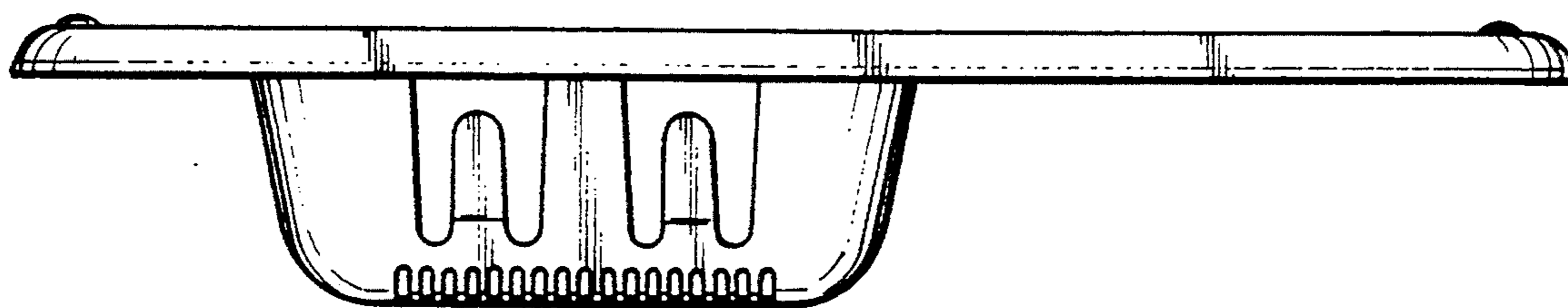


Fig-4

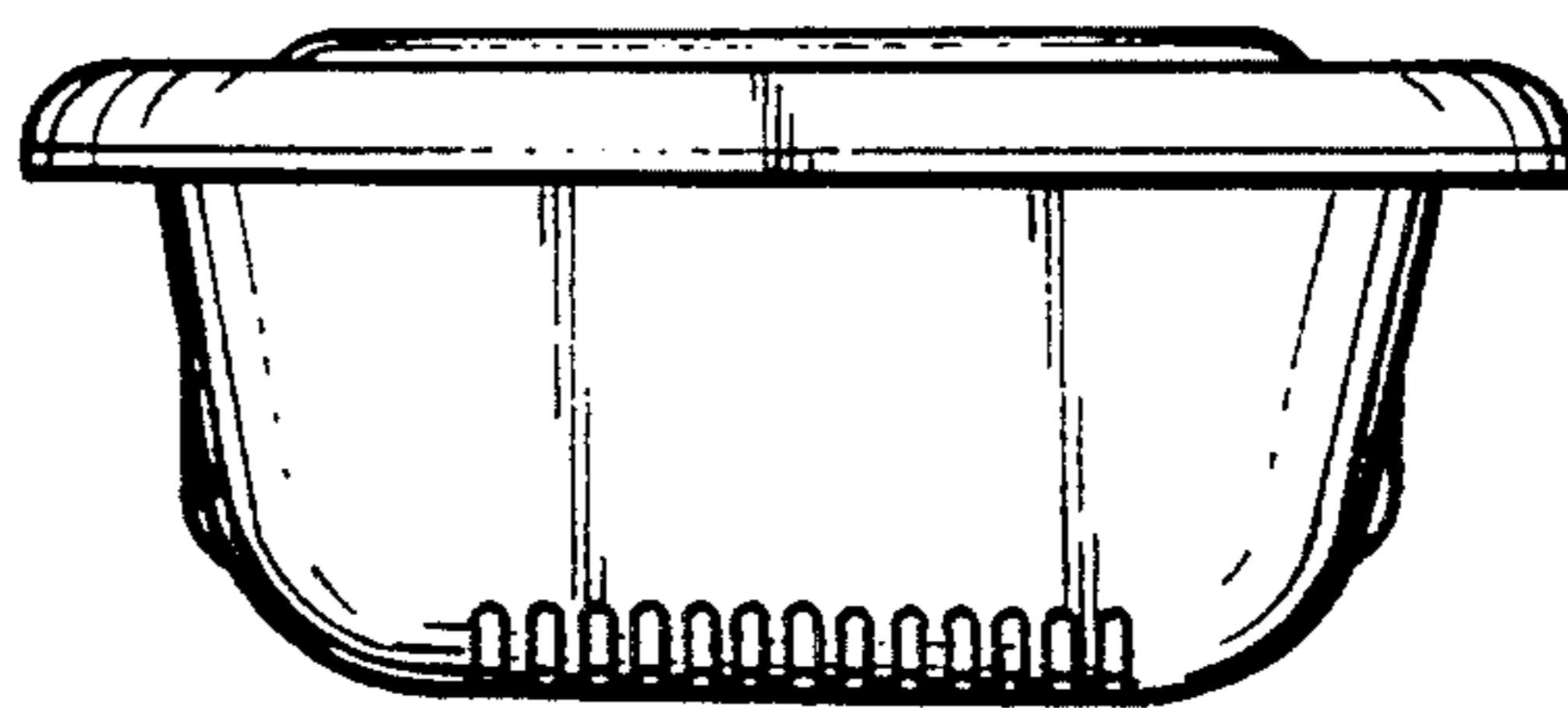


Fig-5