



US00D361266S

United States Patent [19]

[11] Patent Number: **Des. 361,266**

Zuber

[45] Date of Patent: **** Aug. 15, 1995**

[54] **INK JET REFILL DISPENSING TIP WITH CAPTIVE ENCLOSURE**

5,000,236	3/1991	Jemison	220/375
5,044,512	9/1991	Giancaspro et al.	215/306
5,090,583	2/1992	Hoffman et al.	220/265
5,295,601	3/1994	Bostelman	220/375
5,333,755	8/1994	Wang et al.	222/566

[75] Inventor: **Harold Zuber**, Union, N.J.

[73] Assignee: **Beres Industries, Inc.**, Lakewood, N.J.

[**] Term: **14 Years**

[21] Appl. No.: **13,171**

[22] Filed: **Sep. 3, 1993**

[52] U.S. Cl. **D9/440; D9/445; D9/446**

[58] Field of Search **D8/70; D9/434-436, D9/439, 444, 446-447, 449-450, 452, 454; D18/12, 43; 215/296, 306-307, 364; 220/265, 375; 222/566**

[56] **References Cited**

U.S. PATENT DOCUMENTS

D. 264,941	6/1982	Stock	D9/447
646,018	3/1900	Cook, Jr.	215/307
884,761	4/1908	Richard	D9/447 X
2,887,240	5/1959	Deussen	222/566
4,126,167	11/1978	Smith et al.	220/375

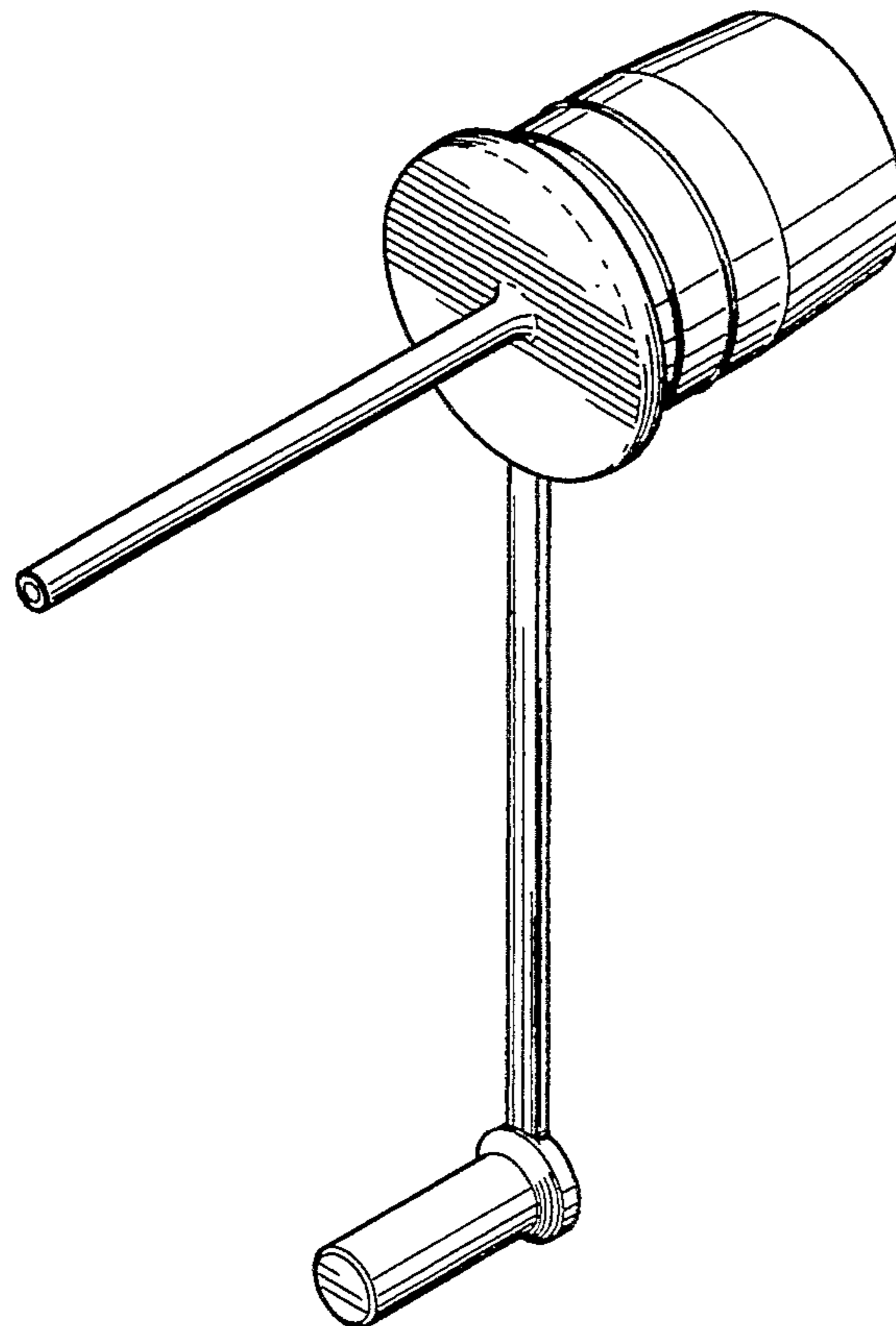
Primary Examiner—Alan P. Douglas
Assistant Examiner—R. Spear
Attorney, Agent, or Firm—Sperry, Zoda & Kane

[57] **CLAIM**

The ornamental design for a ink jet refill dispensing tip with captive enclosure, as shown and described.

DESCRIPTION

FIG. 1 is a front perspective view embodying my new design;
FIG. 2 is a top plan view;
FIG. 3 is a front elevational view, the opposite side elevational view being a mirror image thereof;
FIG. 4 is a bottom plan view;
FIG. 5 is an end elevational view;
FIG. 6 is a side cross-sectional view of the embodiment shown in FIG. 2 along lines 6—6; and,
FIG. 7 is a side cross-sectional view shown with the tip cover assembled.



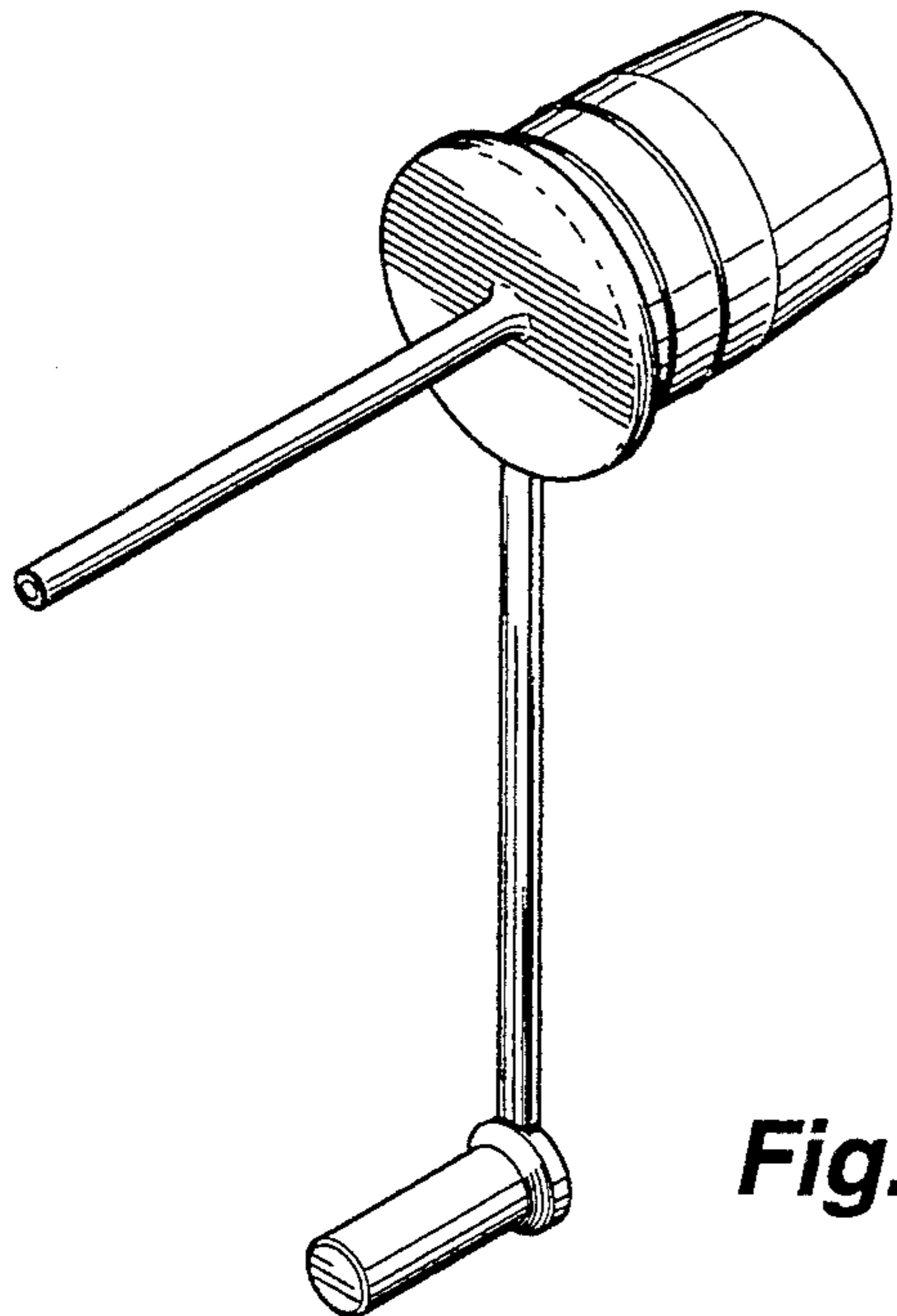


Fig. 1

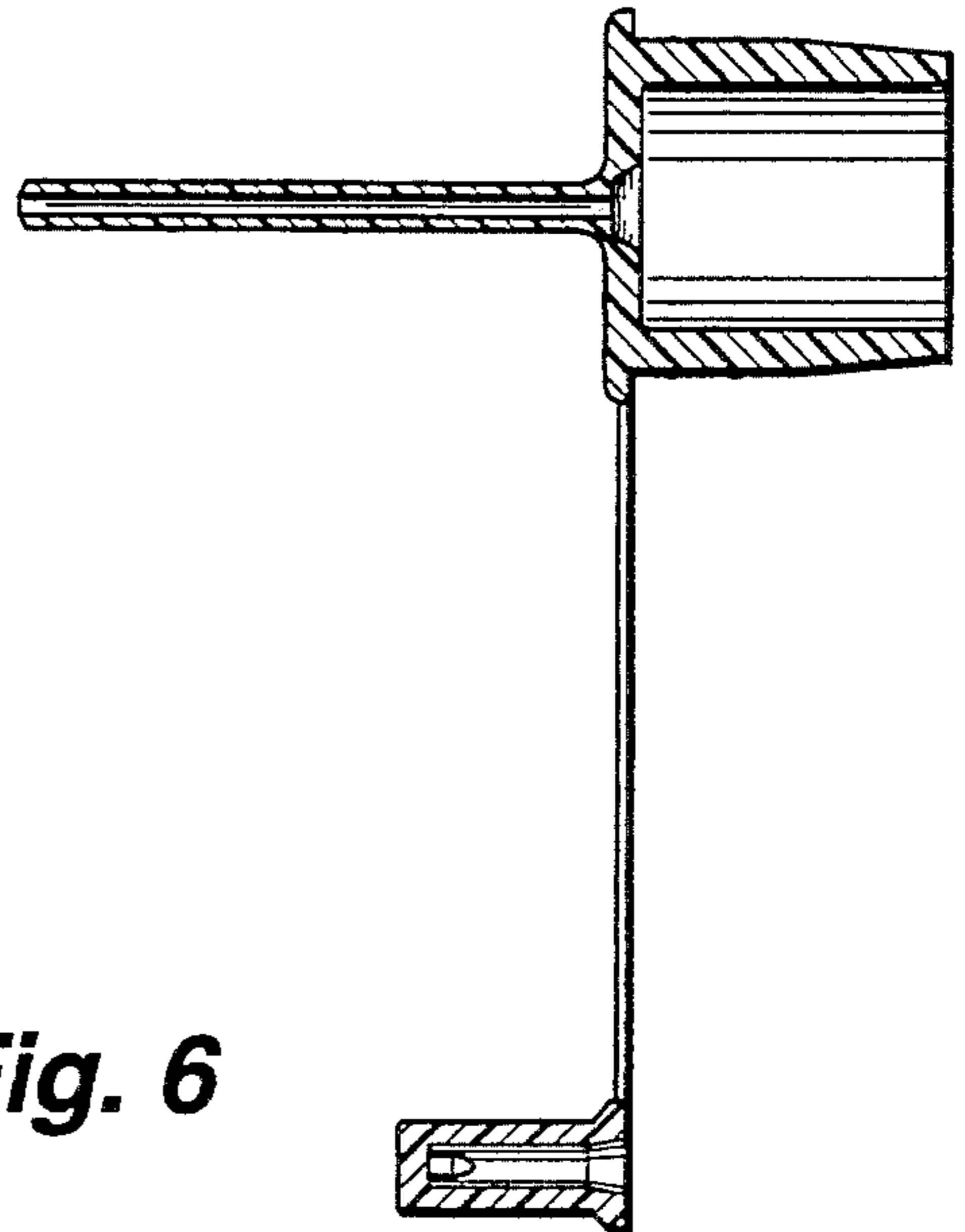


Fig. 6

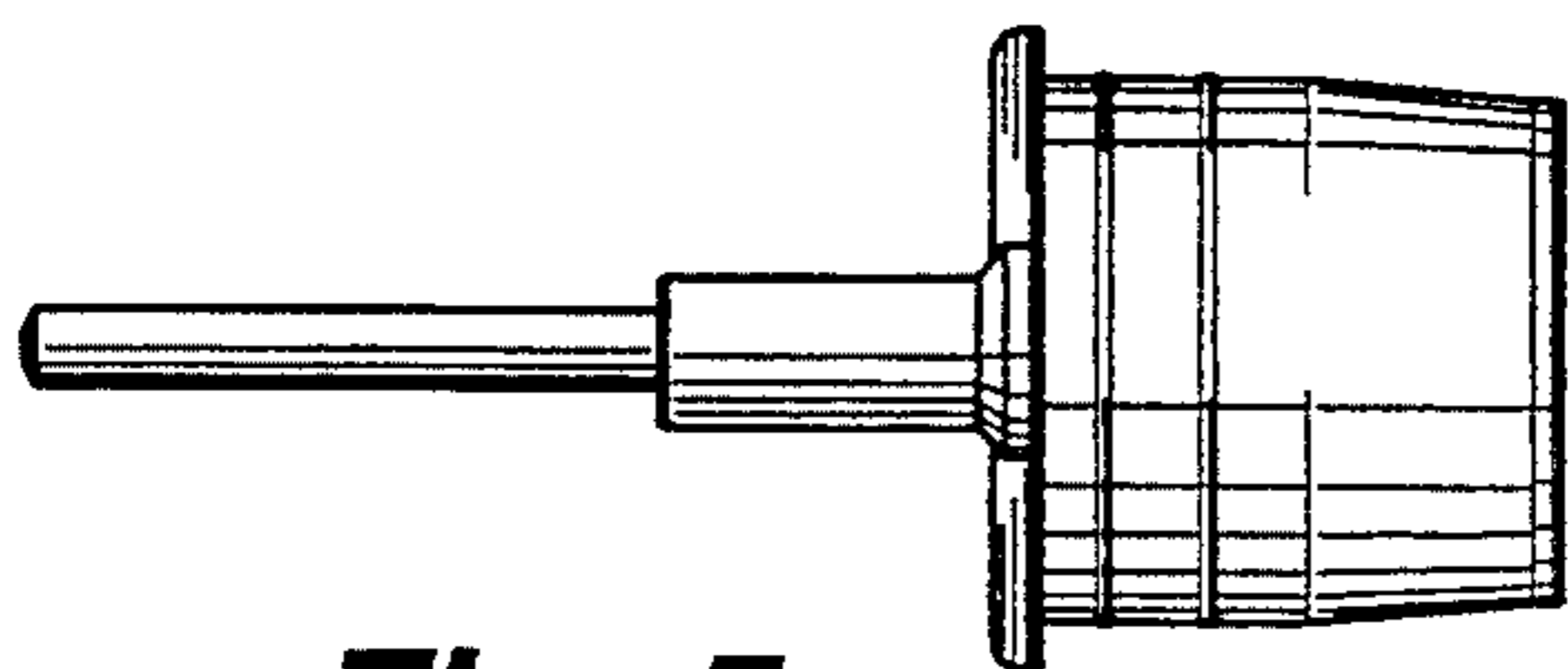


Fig. 5

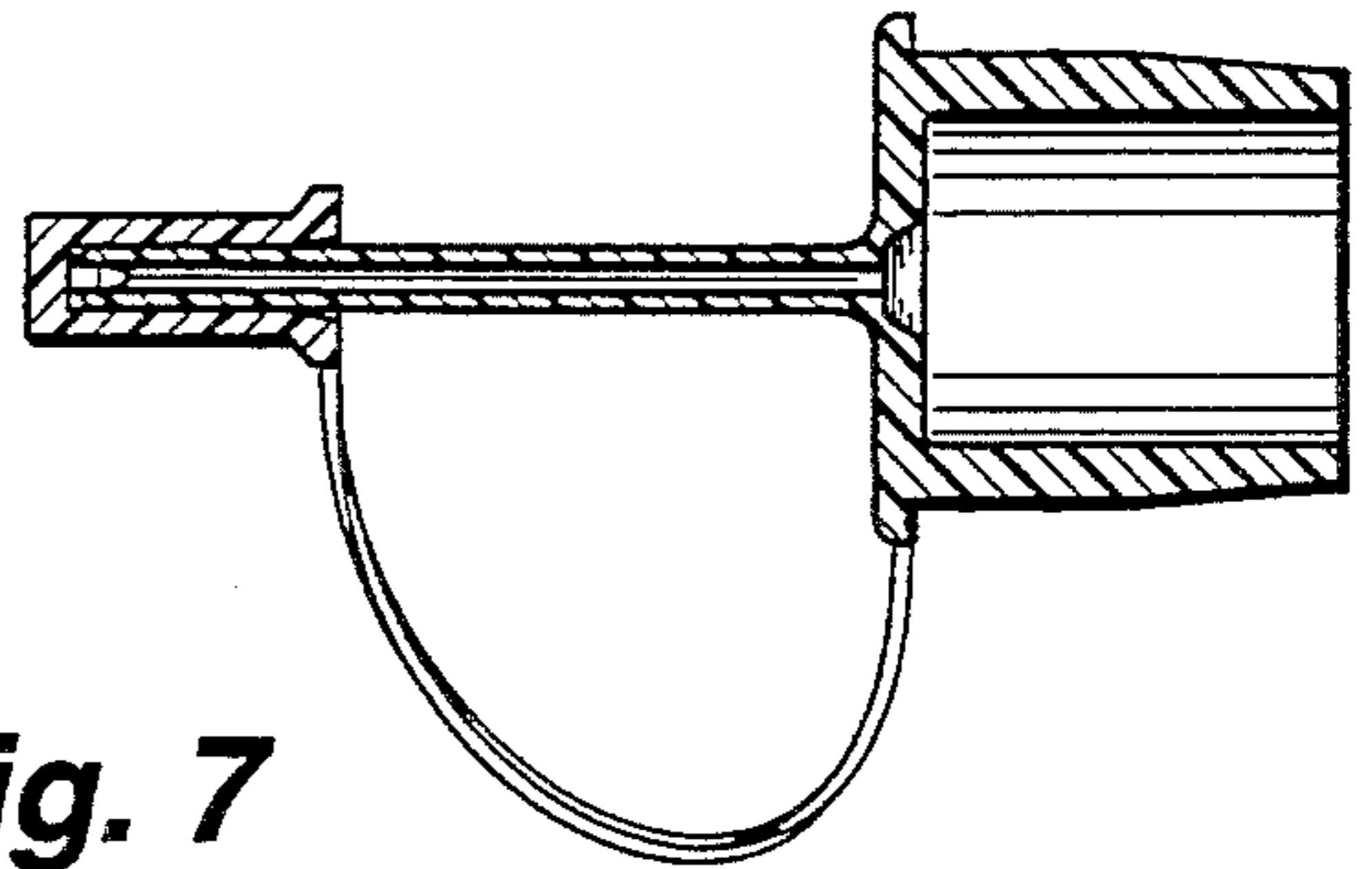


Fig. 7

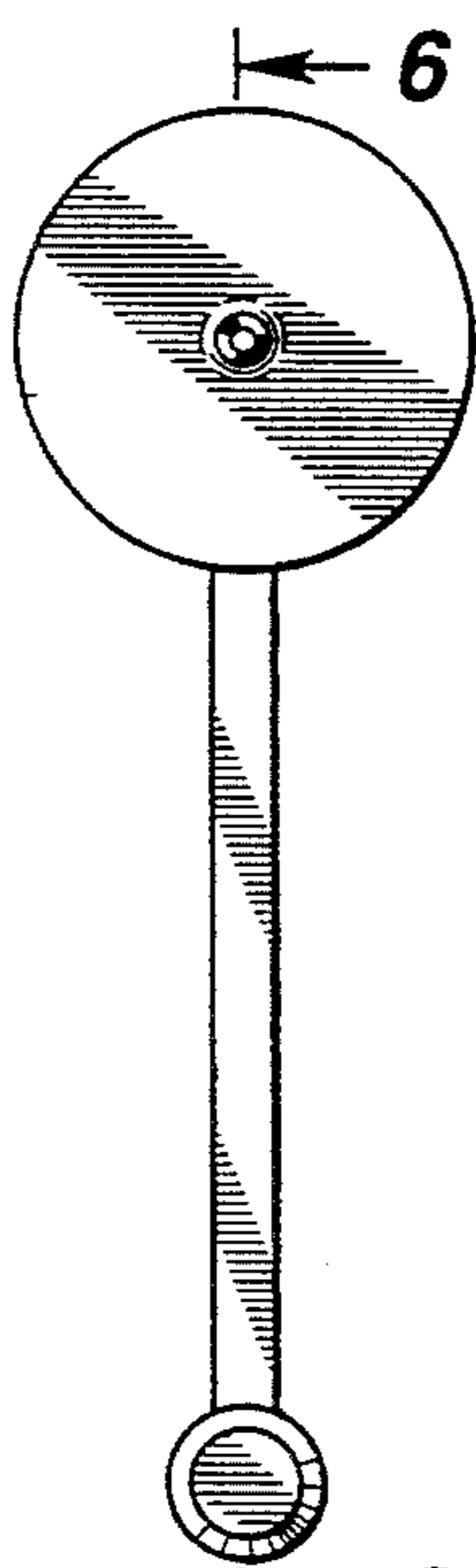


Fig. 2

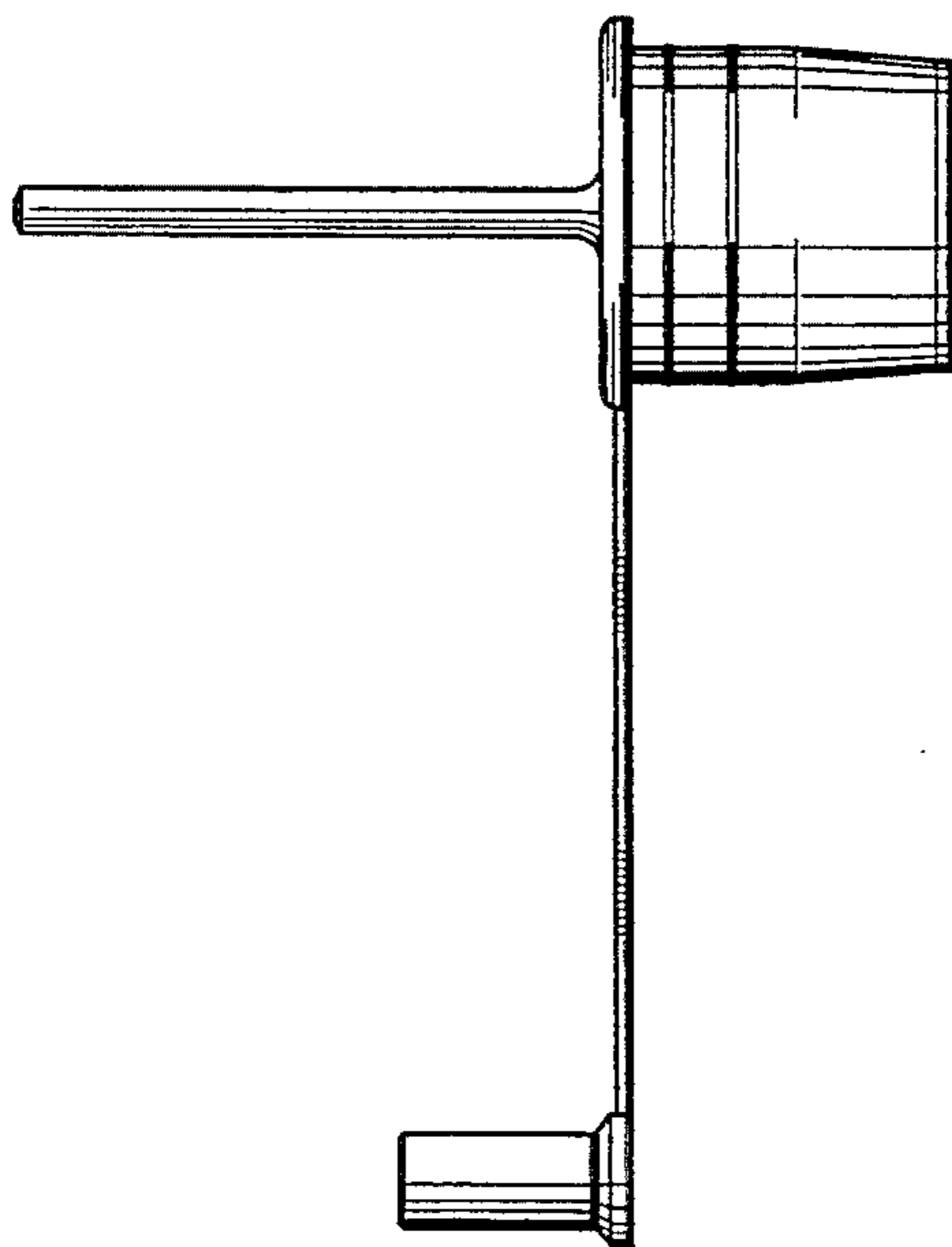


Fig. 3

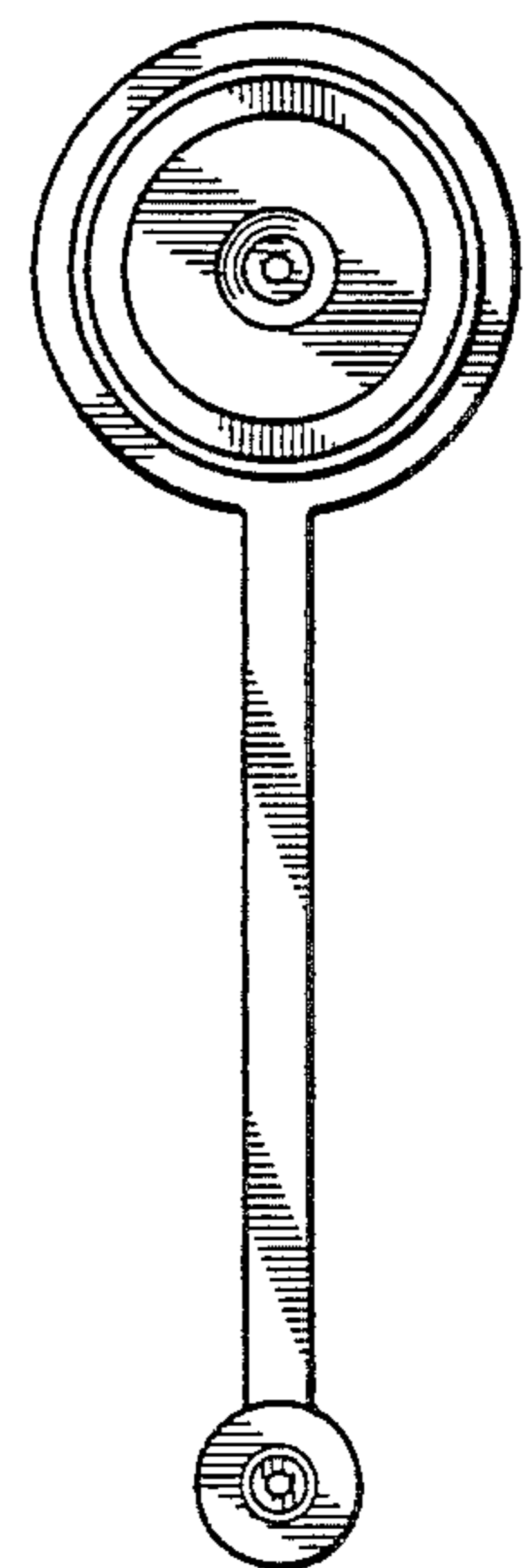


Fig. 4