



US00D361261S

United States Patent [19]

[11] Patent Number: **Des. 361,261**

Amburgey et al.

[45] Date of Patent: **** Aug. 15, 1995**

[54] **SUSPENSION BAND**

[75] Inventors: **James D. Amburgey, Richardson;**
Peter C. Hill, Dallas, both of Tex.

[73] Assignee: **Today's Kids, Inc., Booneville, Ark.**

[**] Term: **14 Years**

[21] Appl. No.: **4,458**

[22] Filed: **Feb. 5, 1993**

[52] U.S. Cl. **D8/499; D21/191**

[58] Field of Search **D8/499; D21/66, 68-70,**
D21/191, 197; 267/69, 153; 472/103.95;
384/125, 200; 482/129

2,971,758 2/1961 Zimmers .
2,978,245 4/1961 Rempel .
3,093,356 6/1963 Buyalos, Jr. .
3,155,390 11/1964 Moore et al. .
3,180,640 4/1965 Lawrence .
3,220,726 11/1965 Koller et al. .
B14,072,309 3/1984 Wilson .
4,093,208 6/1978 Tomalinas, Jr. .
4,492,375 1/1985 Connelly .
4,582,320 4/1986 Shaw .
4,618,144 10/1986 Gibson .
4,749,286 6/1988 White 384/125
4,852,874 8/1989 Sleichter, III et al. .
4,913,419 4/1990 McAuliffe .
4,943,046 7/1990 Beltzig .
5,135,216 8/1992 Bingham et al. .
5,242,353 9/1993 Cole et al. 482/130

[56] **References Cited**
U.S. PATENT DOCUMENTS

D. 165,491 12/1951 Spangler .
D. 192,927 5/1962 Ernst .
D. 216,517 1/1970 Dorn .
D. 256,606 8/1980 Hoggard .
D. 275,975 10/1984 Ciganko .
D. 280,224 8/1985 Wilson .
D. 290,474 6/1987 Tepper .
D. 315,936 4/1991 Wilson et al. D21/191
2,364,081 12/1944 Lambert .
2,554,045 5/1951 Minor, Jr. .
2,756,051 7/1956 Shone .
2,770,291 11/1956 Forman .
2,862,710 12/1958 Lewis .
2,882,050 4/1959 Deady .
2,915,312 12/1959 Barthel .
2,921,789 1/1960 Skinner, Sr. .
2,937,691 5/1960 Horgan .

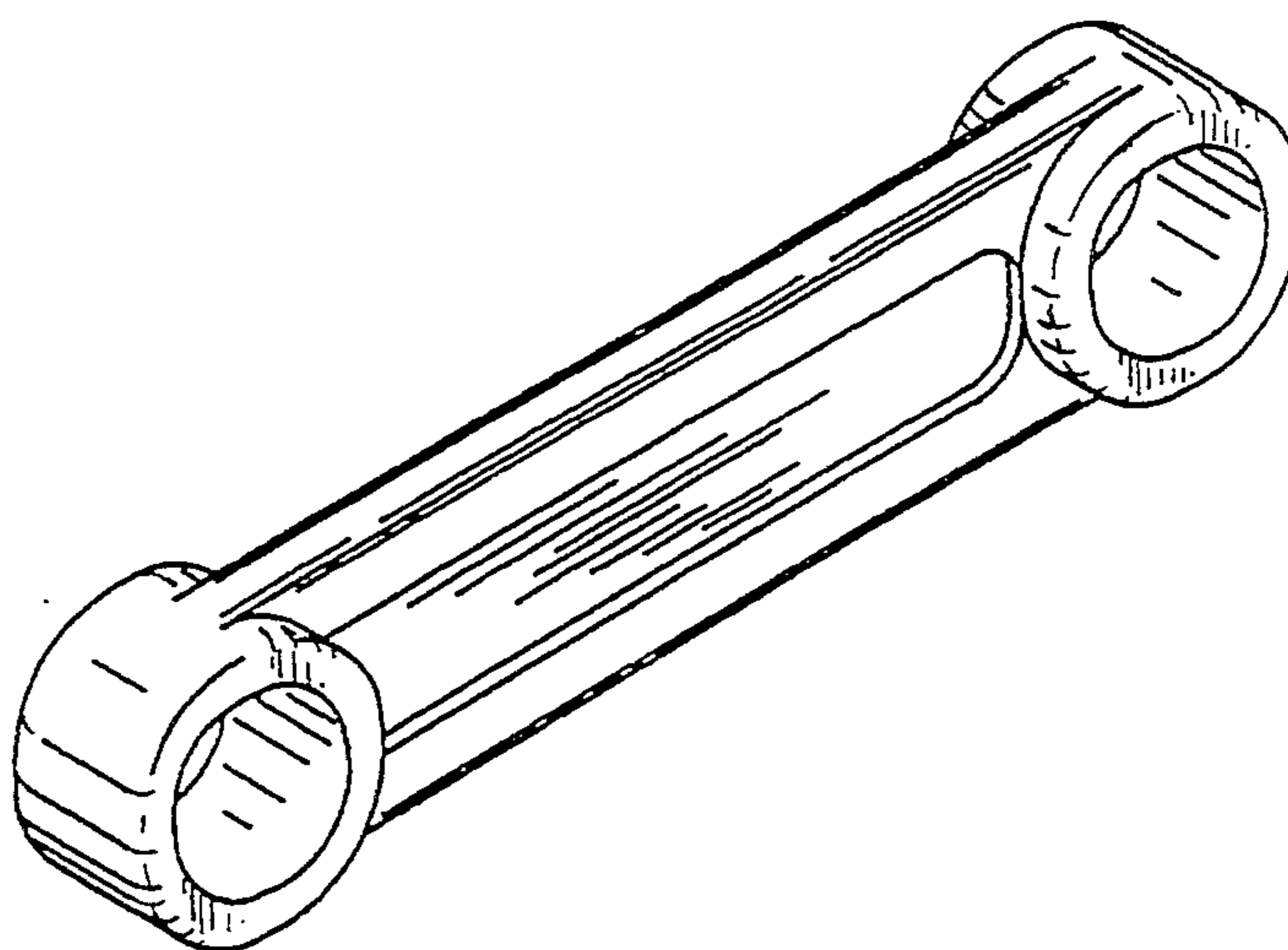
Primary Examiner—B. J. Bullock
Attorney, Agent, or Firm—Kirpatrick & Lockhart

[57] **CLAIM**

The ornamental design for suspension band, as shown and described.

DESCRIPTION

FIG. 1 is a perspective view of a suspension band showing my new design;
FIG. 2 is an enlarged top plan view thereof, the bottom view thereof being the same;
FIG. 3 is an enlarged side elevational view thereof, the opposite side view thereof being the same;
FIG. 4 is an enlarged elevational view thereof, the opposite end elevational view thereof being the same; and,
FIG. 5 is a cross sectional view taken in the direction at the arrows on line V—V of FIG. 3.



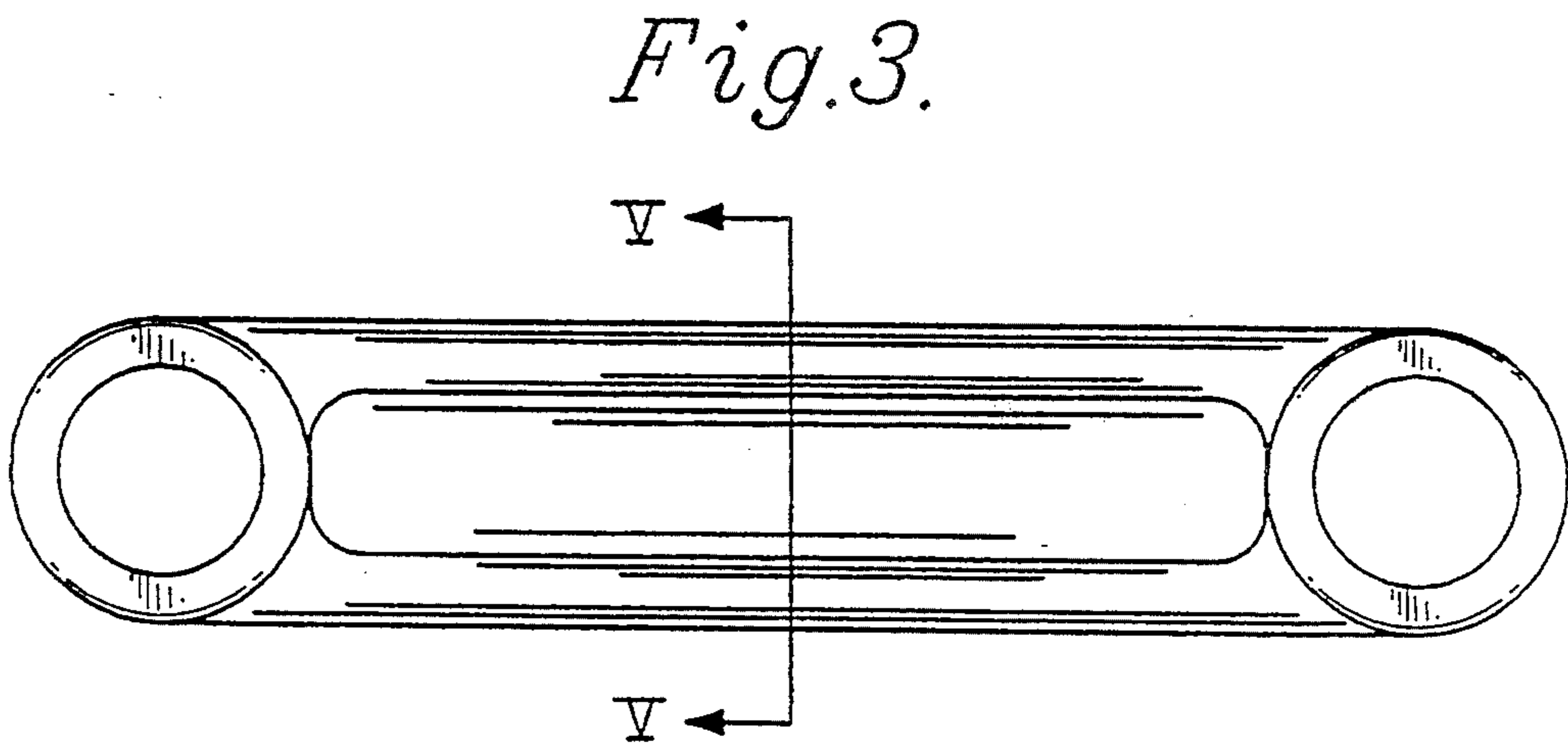
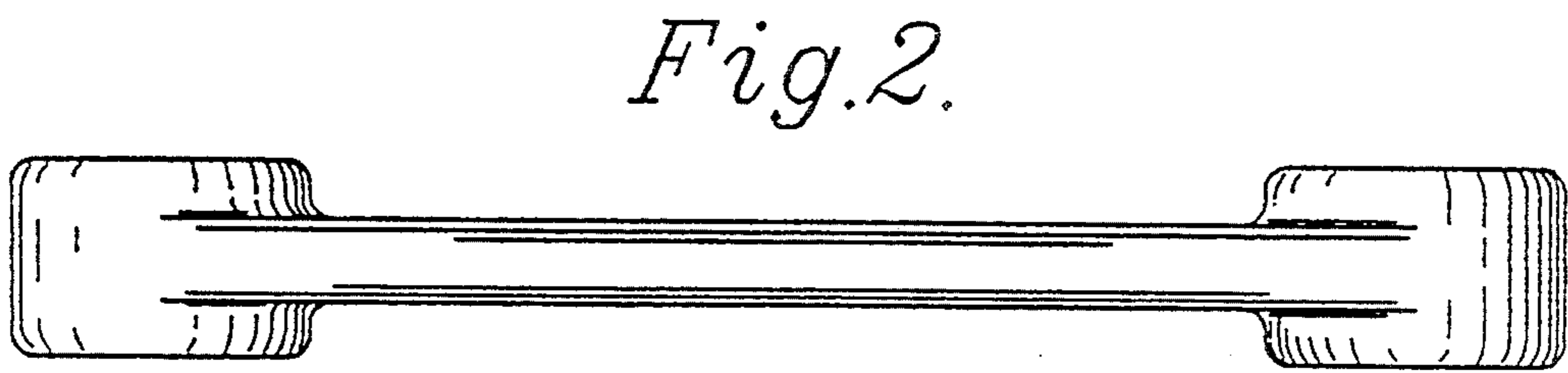
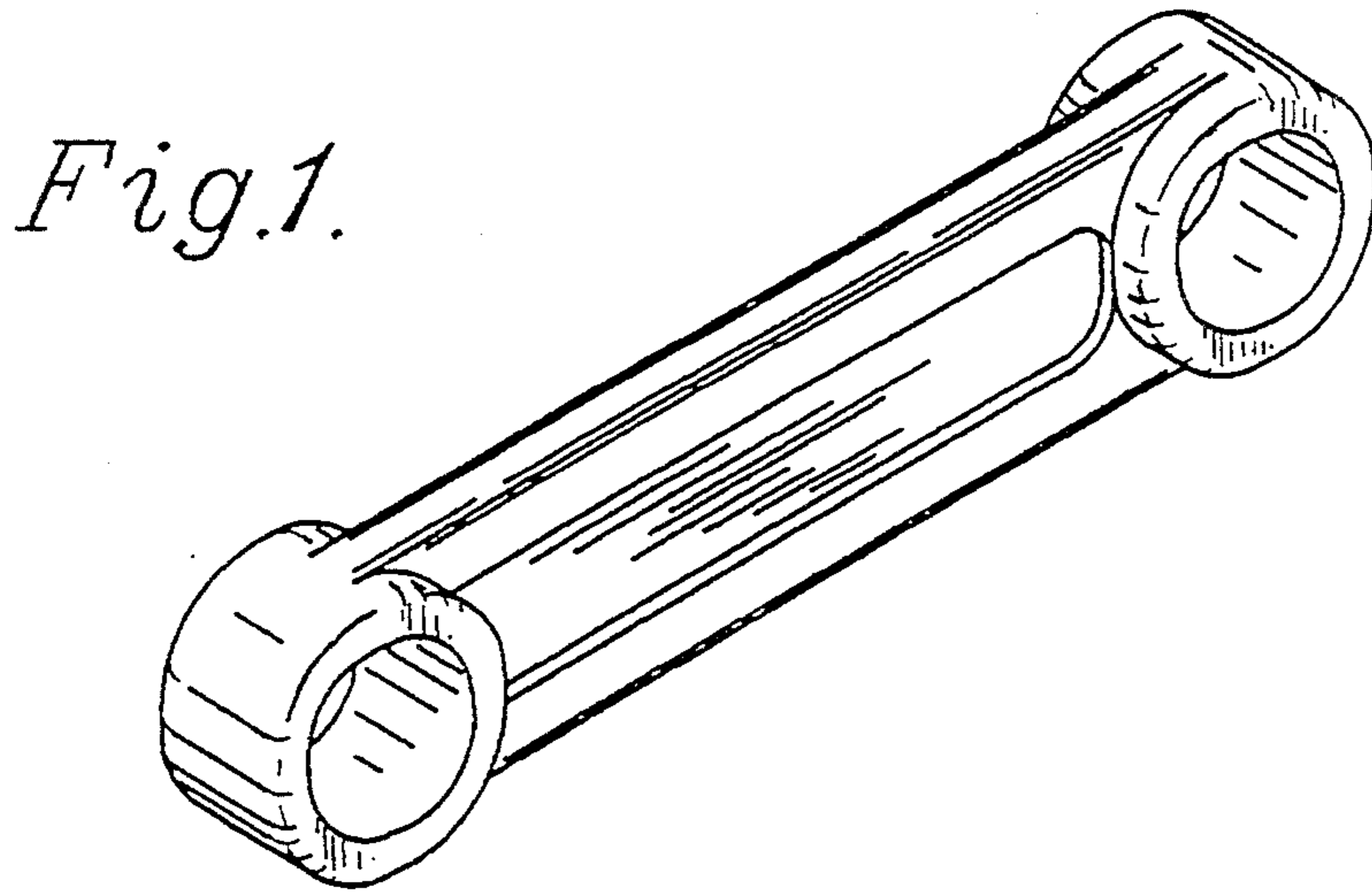


Fig.4.

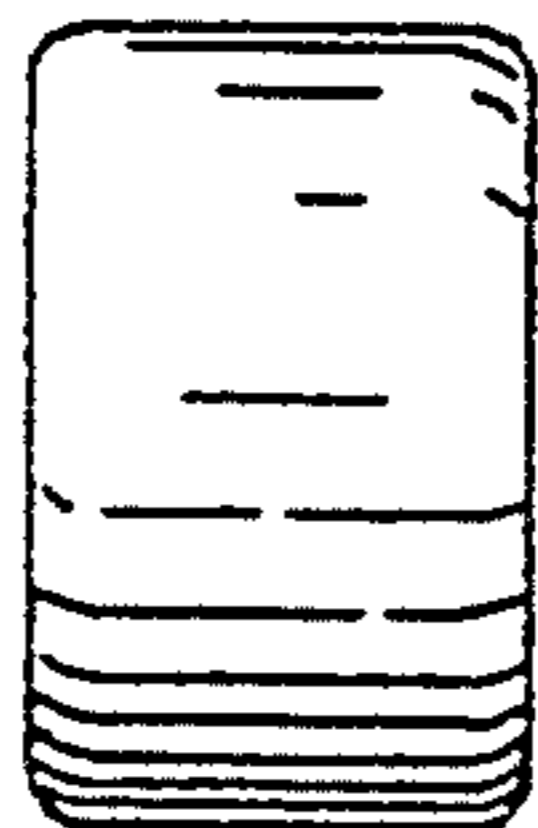


Fig.5.

