



US00D361258S

# United States Patent [19]

[11] Patent Number: Des. 361,258

Helman

[45] Date of Patent: \*\* Aug. 15, 1995

[54] WHEELCHAIR BACK PANEL SUPPORT BRACKET

[75] Inventor: Donald L. Helman, Fresno, Calif.

[73] Assignee: Cozy Craft, Inc., Clovis, Calif.

[\*\*] Term: 14 Years

[21] Appl. No.: 9,975

[22] Filed: Jun. 28, 1993

[52] U.S. Cl. .... D8/354

[58] Field of Search ..... D8/354, 349, 394-396; 248/74.1-74.4, 49, 62-63

[56] **References Cited**

**U.S. PATENT DOCUMENTS**

- 3,376,004 4/1968 Goldman ..... 248/74.3
- 3,515,363 6/1970 Fisher ..... 248/74.3 X

*Primary Examiner*—A. Hugo Word

*Assistant Examiner*—Holly Baynham  
*Attorney, Agent, or Firm*—Flehr, Hohbach, Test, Albritton & Herbert

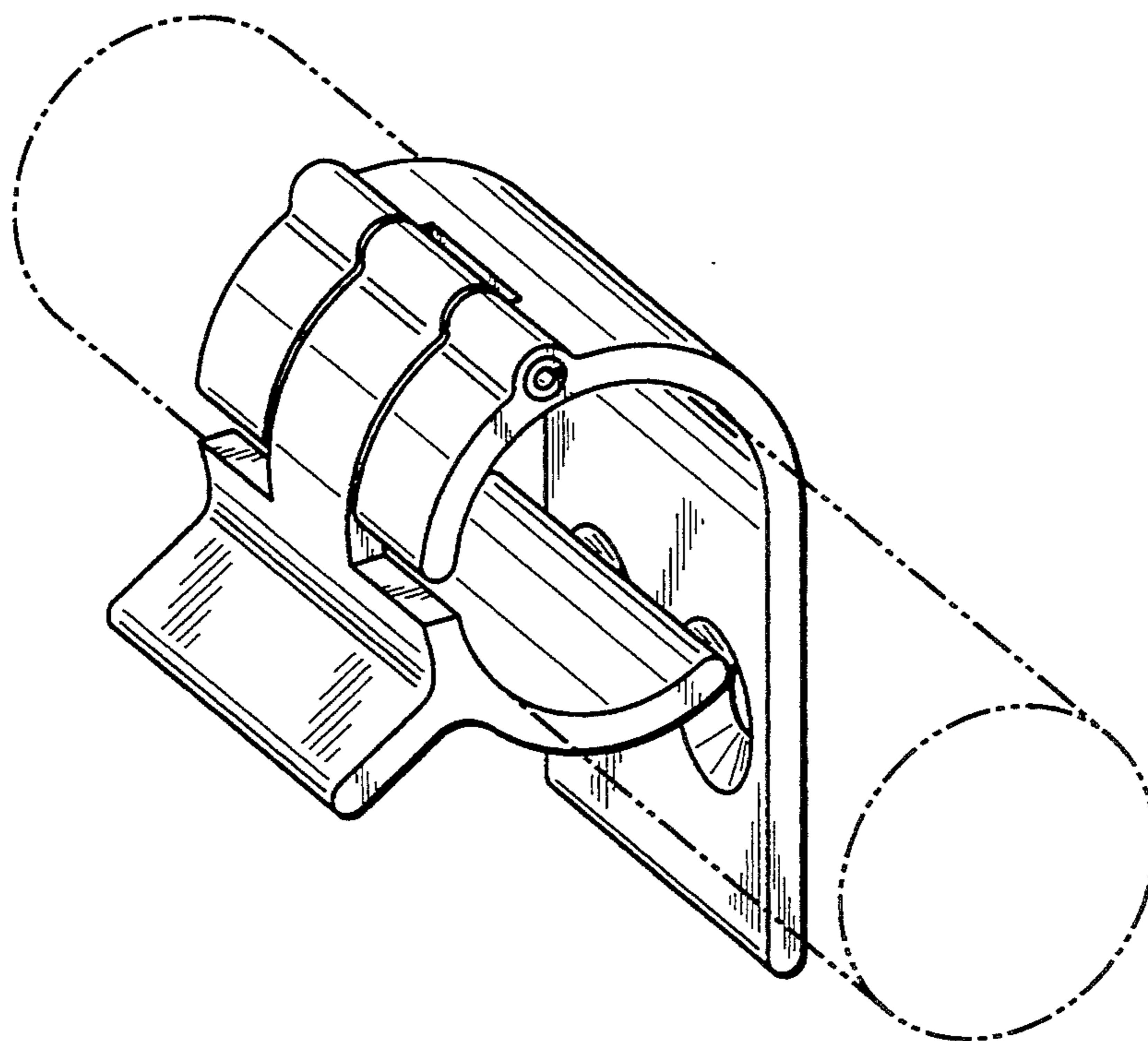
[57] **CLAIM**

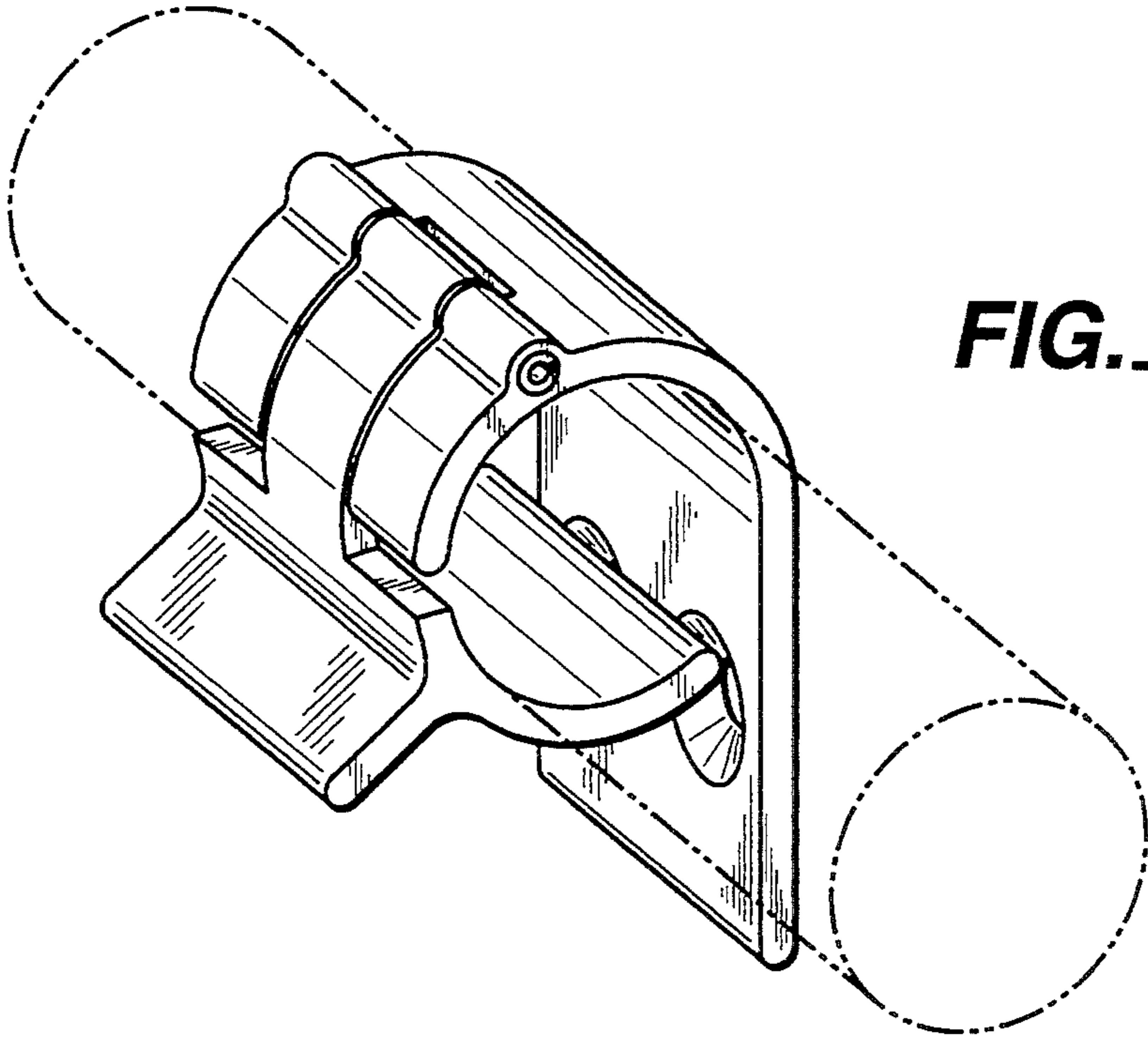
The ornamental design for a wheelchair back panel support bracket, as shown and described.

**DESCRIPTION**

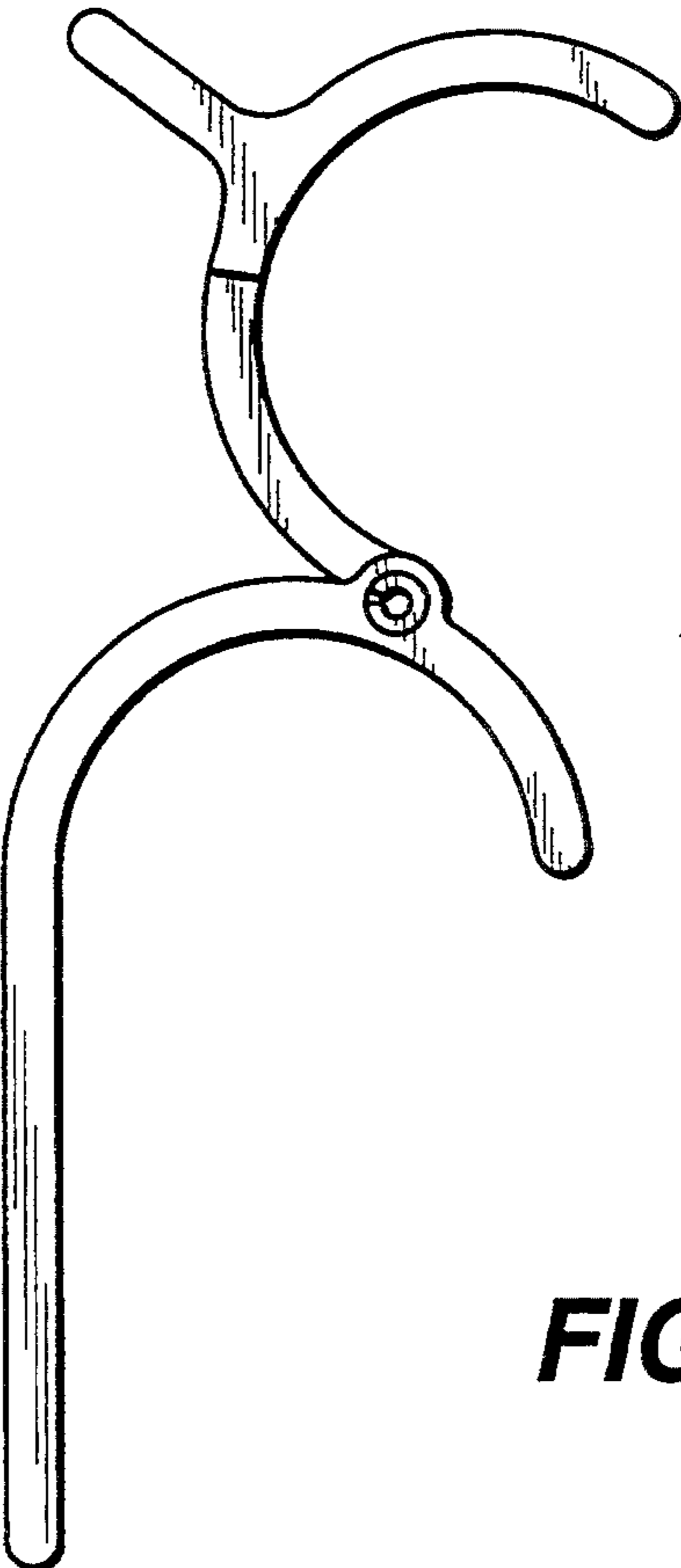
FIG. 1 is a top perspective view showing my new design with the cylindrical member shown in broken lines being for illustrative purposes only and forming no part of the design;

FIG. 2 is an end elevation view of one end thereof; FIG. 3 is an end elevation view of the other end thereof; FIG. 4 is a side elevation view of one side thereof; FIG. 5 is a side elevation view of the other side thereof; FIG. 6 is a top plan view thereof; FIG. 7 is a bottom plan view thereof; and, FIG. 8 is an end elevation view corresponding to FIG. 2 with the clamp member in a moved position.

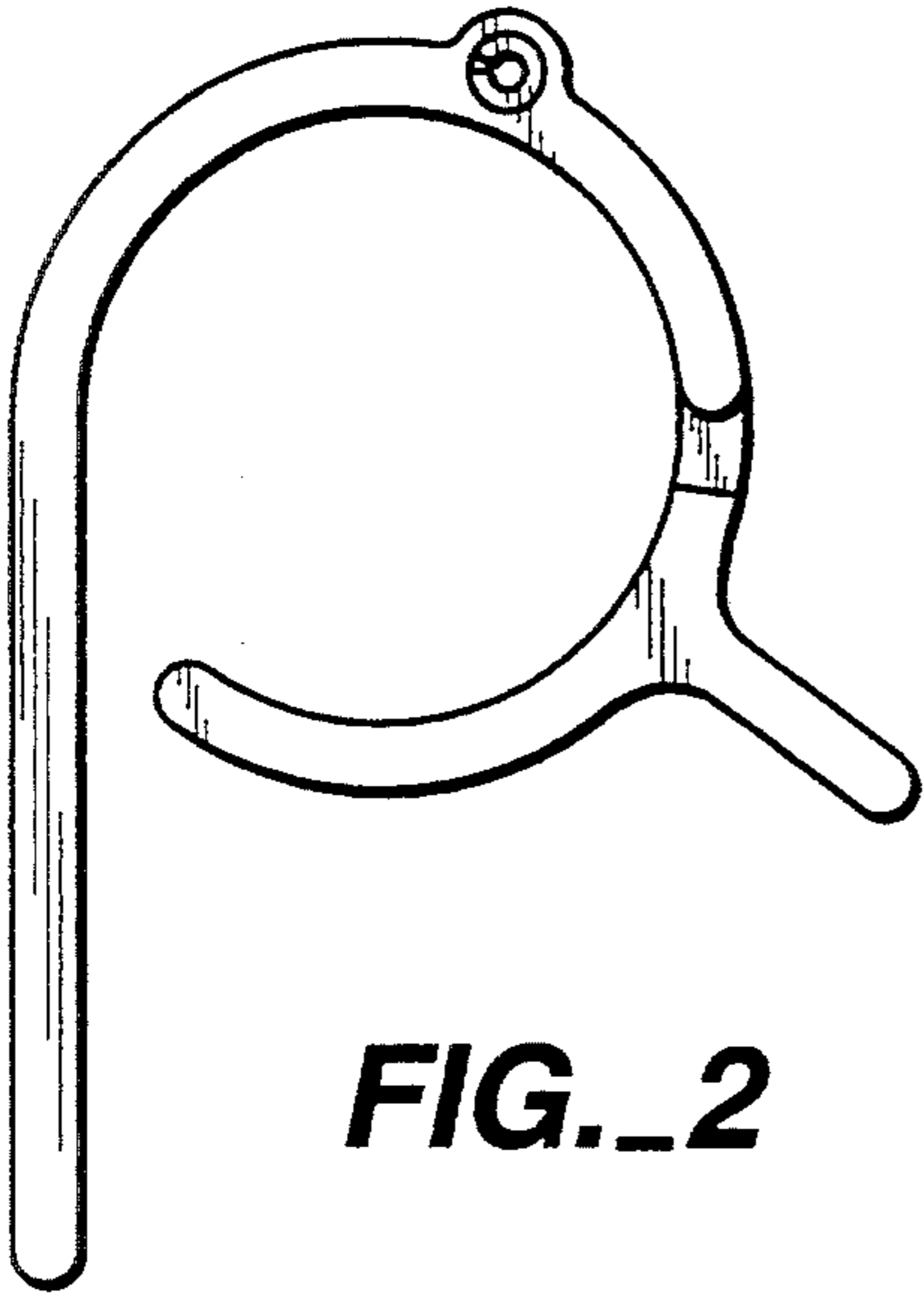




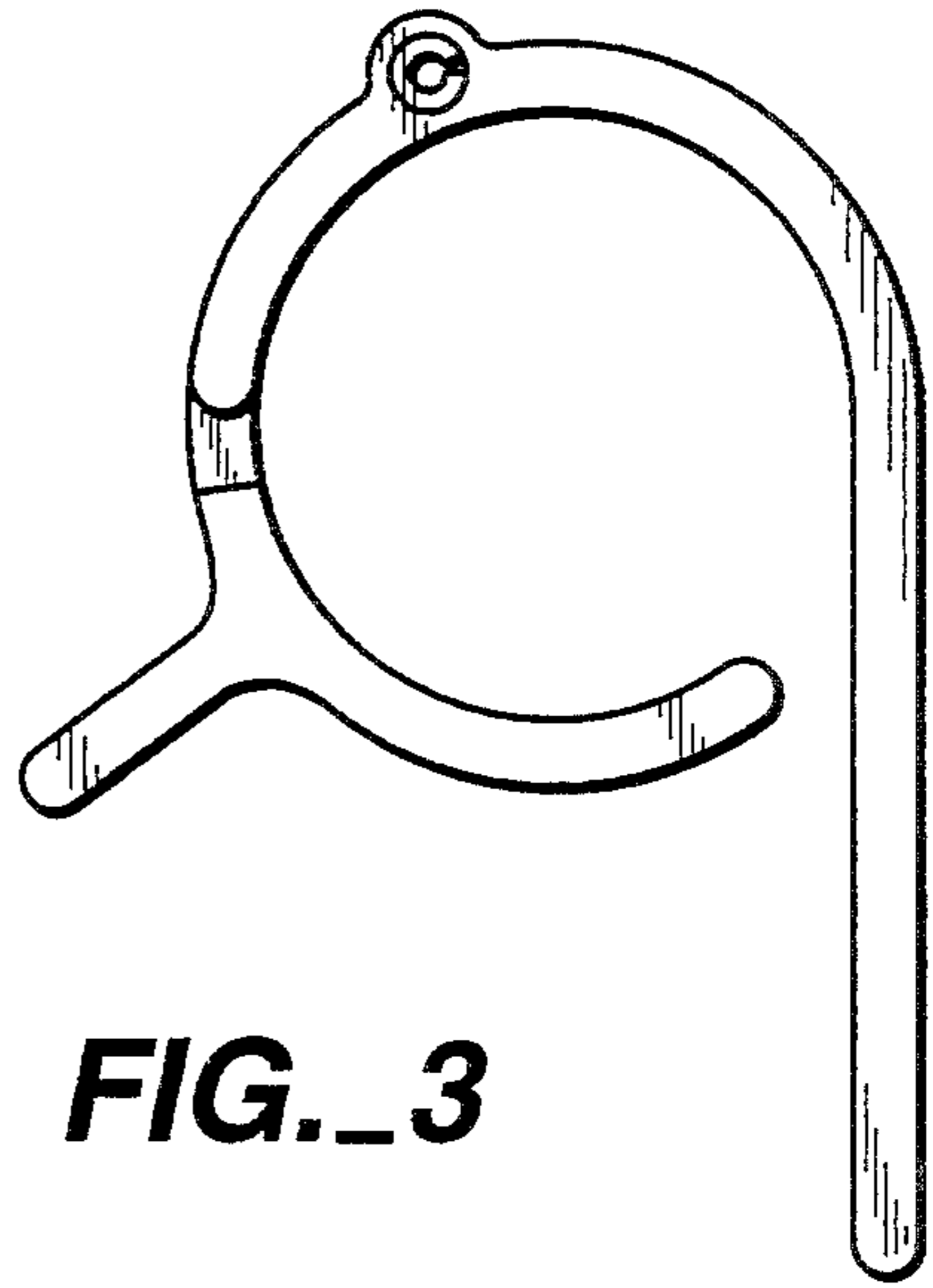
**FIG. 1**



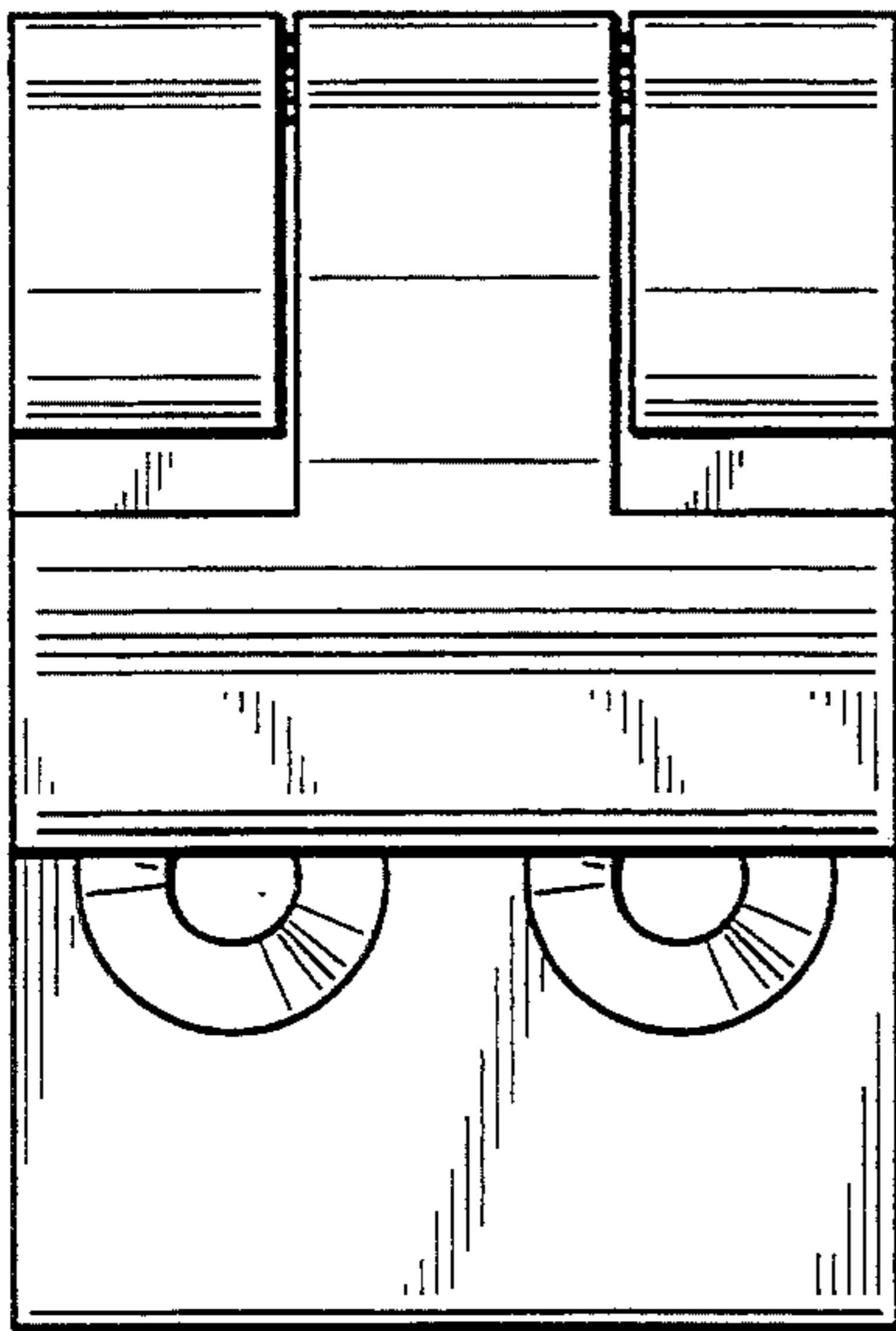
**FIG. 8**



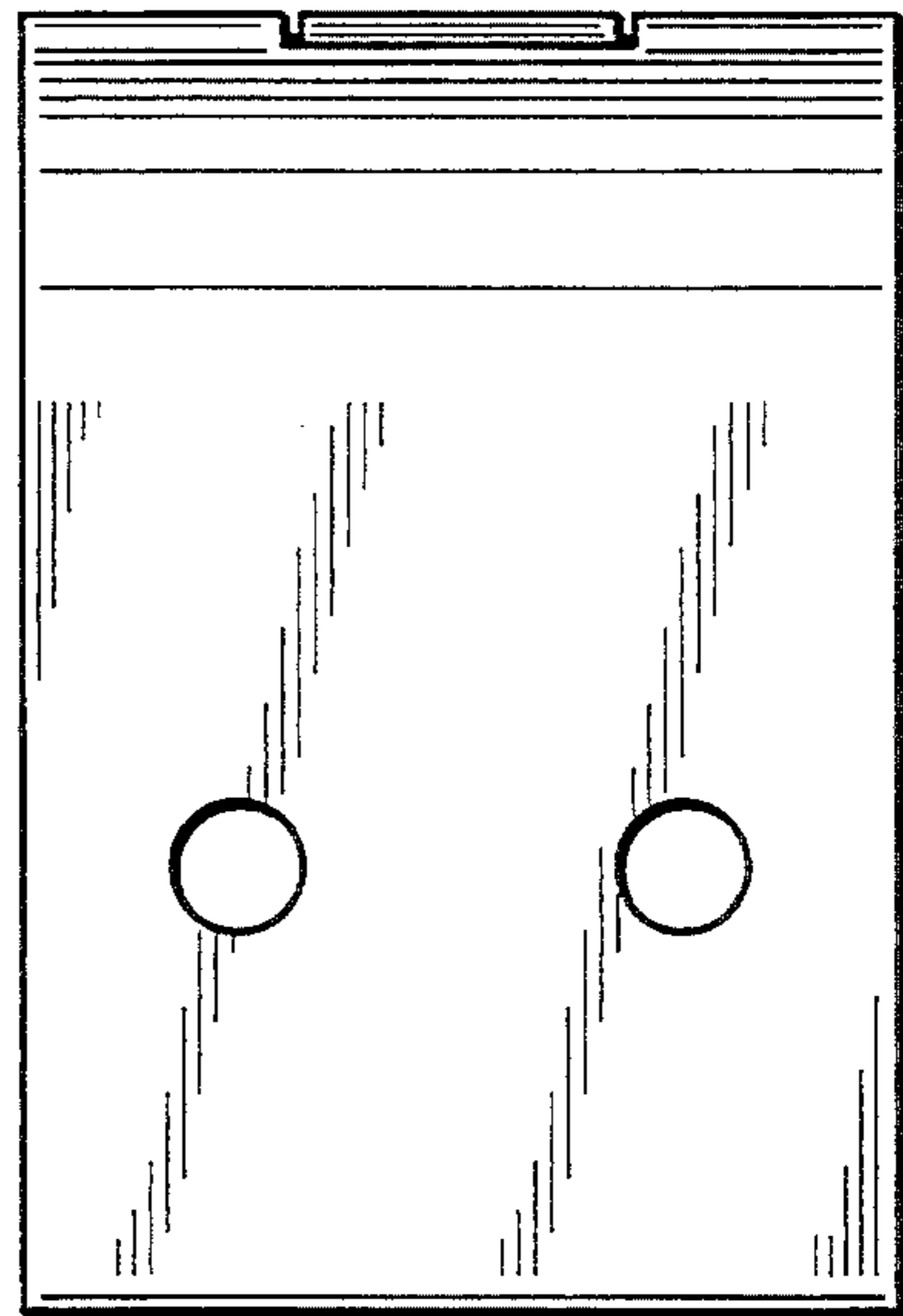
**FIG.\_2**



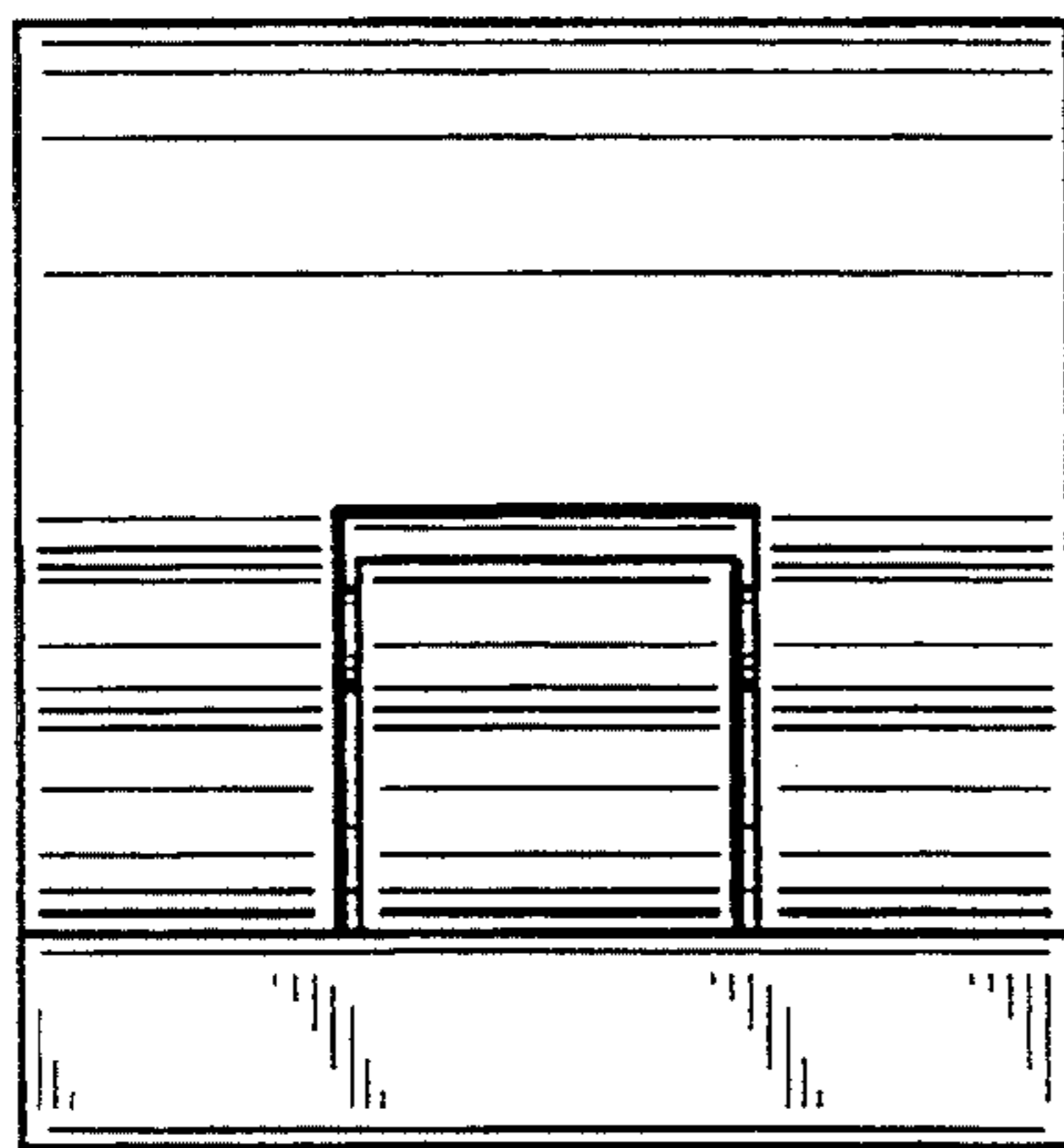
**FIG.\_3**



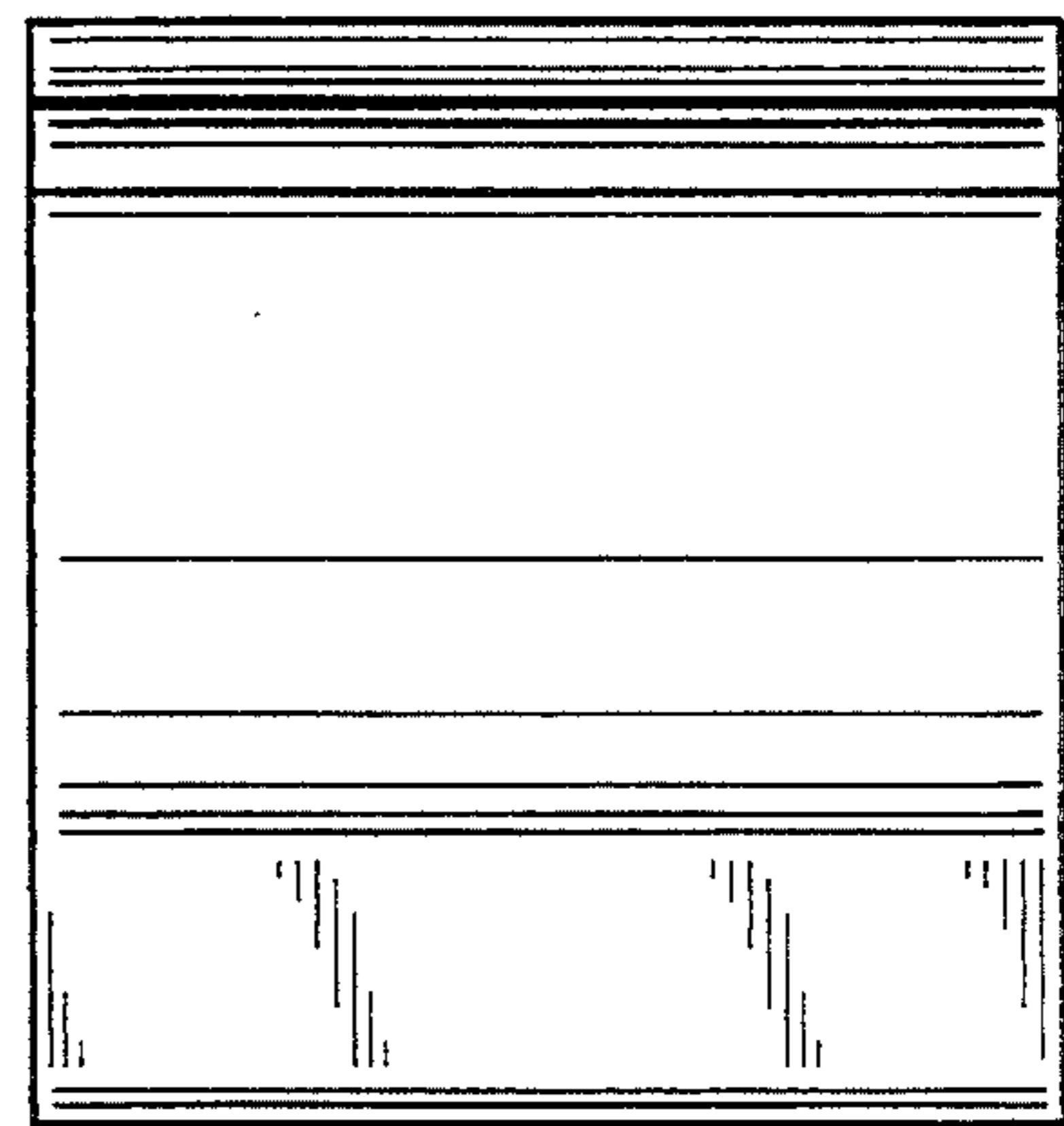
**FIG.\_4**



**FIG.\_5**



**FIG.\_6**



**FIG.\_7**