



US00D361252S

United States Patent [19]

[11] Patent Number: **Des. 361,252**

De Neergaard et al.

[45] Date of Patent: **** Aug. 15, 1995**

[54] **ELECTRIC HAMMER**
[75] Inventors: **André De Neergaard; Claude Ronjon,**
both of Valence, France

D. 242,427 11/1976 Wilsgaard D8/69
D. 333,767 3/1993 Sasaki et al. D8/69
D. 343,345 1/1994 Ogawa et al. D8/69
D. 349,029 7/1994 Matsunaga et al. D8/69

[73] Assignee: **Societe De Prospection et
D'Inventions Techniques SPIT,**
Bourg-Les-Valence, France

Primary Examiner—Alan P. Douglas
Assistant Examiner—Jeffrey H. Musgrove
Attorney, Agent, or Firm—Foley & Lardner

[**] Term: **14 Years**

[57] CLAIM

[21] Appl. No.: **20,574**

The ornamental design for an electric hammer, as shown and described.

[22] Filed: **Mar. 29, 1994**

DESCRIPTION

[30] Foreign Application Priority Data

Sep. 29, 1993 [FR] France 93 4969

[52] U.S. Cl. **D8/69**

[58] Field of Search D8/61, 69; 173/170,
173/48, 49, 104; 81/57.13, 57.14, 57

FIG. 1 is a left side view of an electric hammer showing my new design;
FIG. 2 is a right side view thereof;
FIG. 3 is a front view thereof;
FIG. 4 is a rear view thereof;
FIG. 5 is a top view thereof;
FIG. 6 is a bottom view thereof; and,
FIG. 7 is an enlarged detail of the left side view thereof.

[56] References Cited

U.S. PATENT DOCUMENTS

D. 197,667 3/1964 Gubbins D8/69

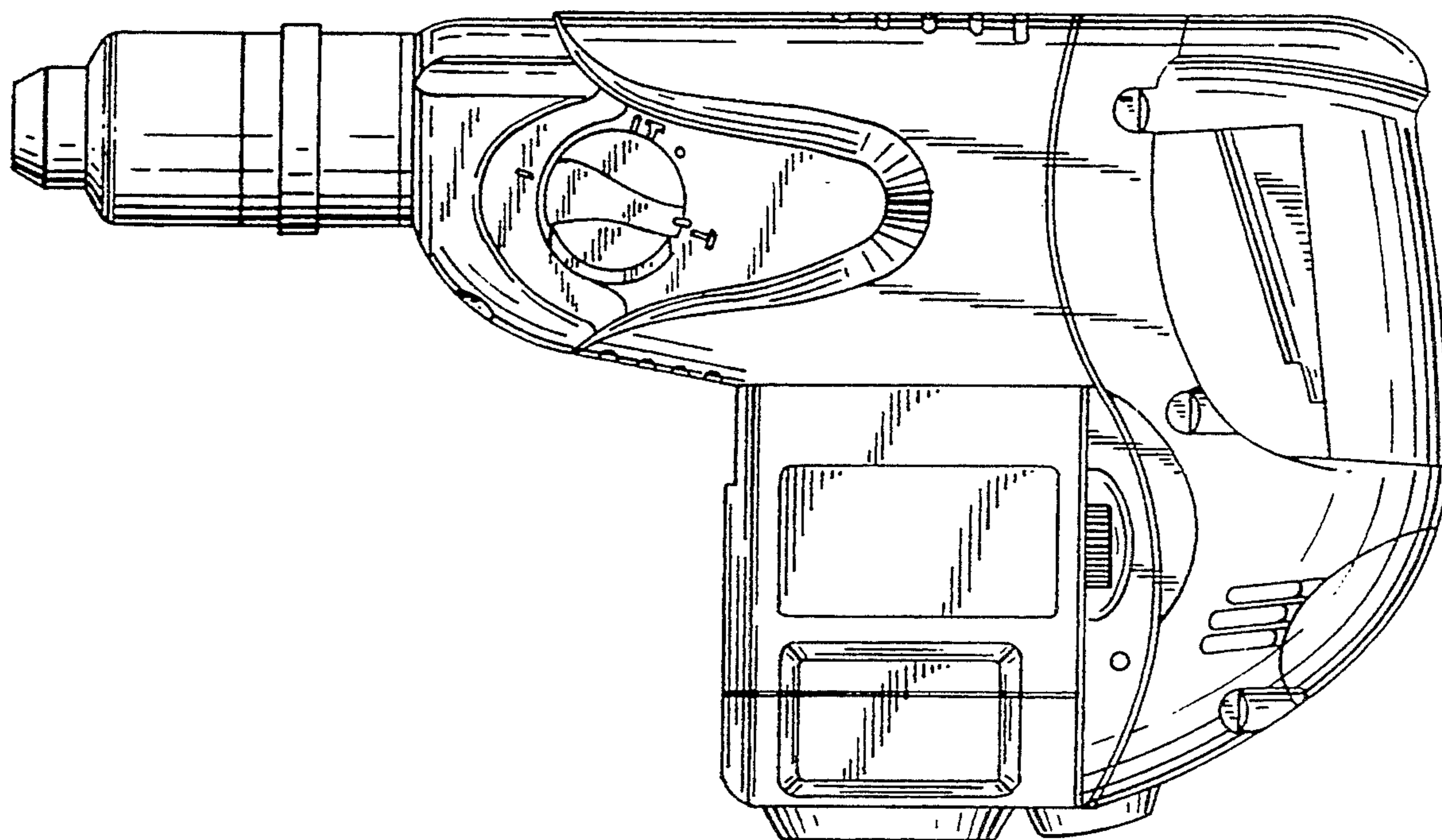


FIG. 1

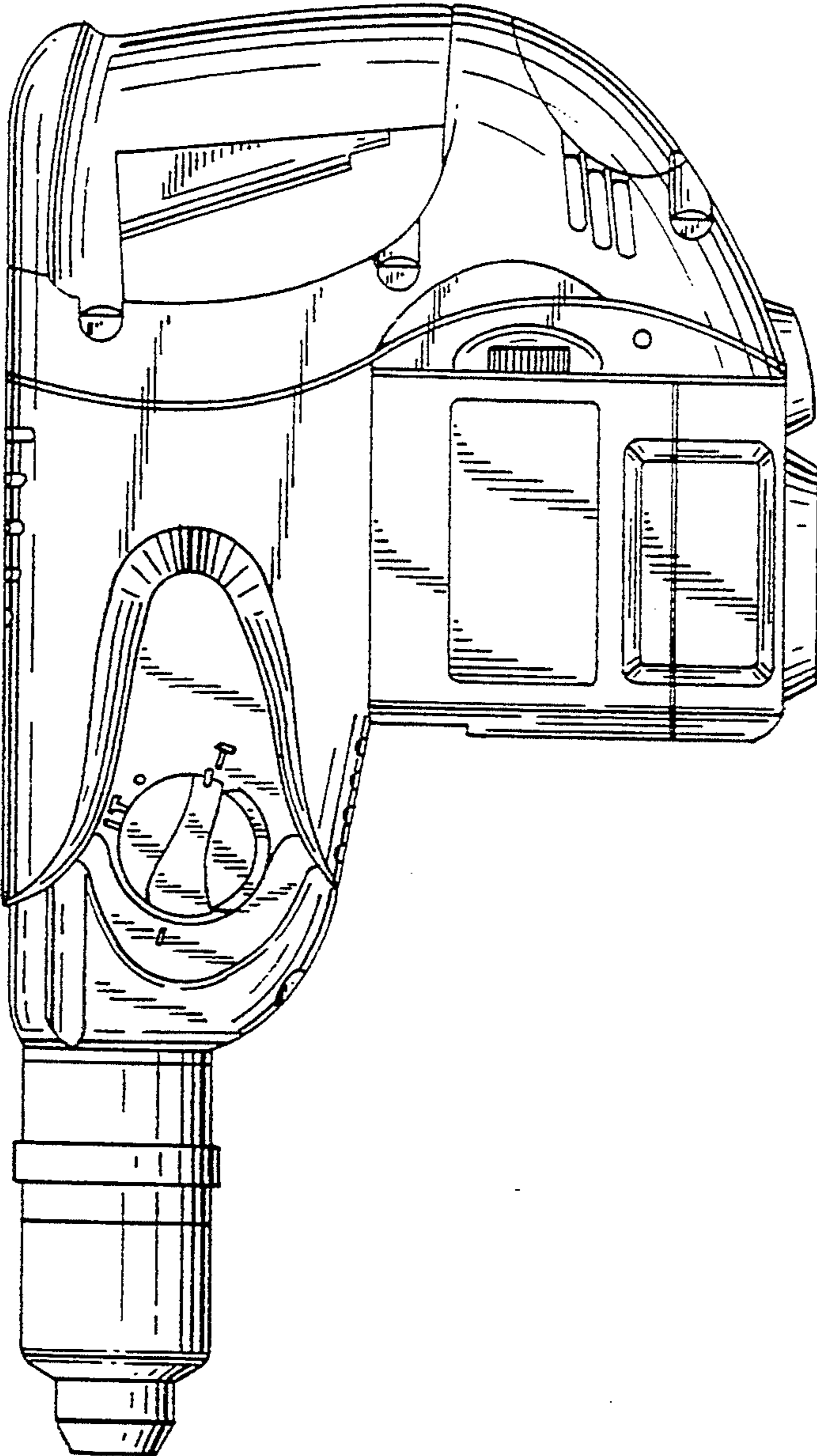


FIG. 2

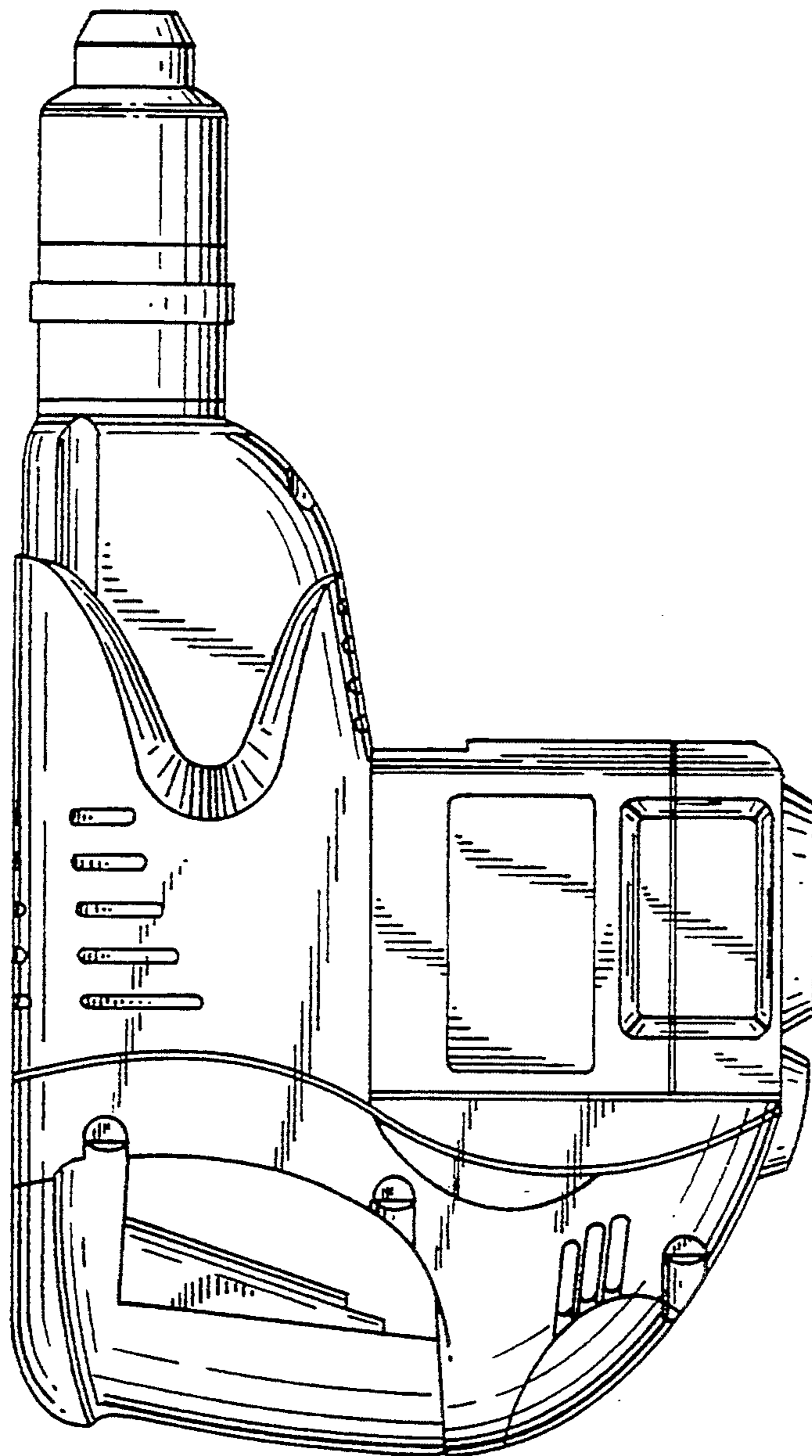


FIG. 3

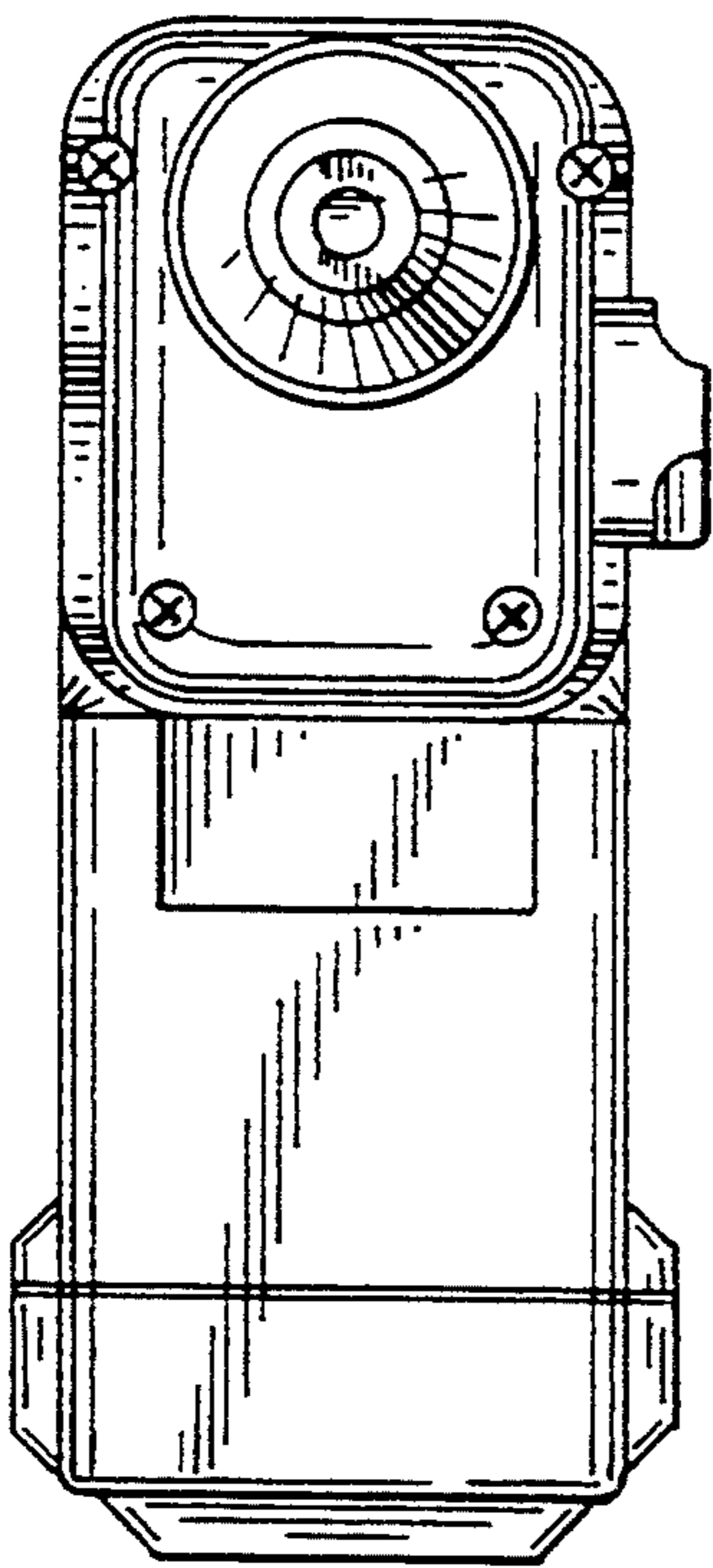


FIG. 4

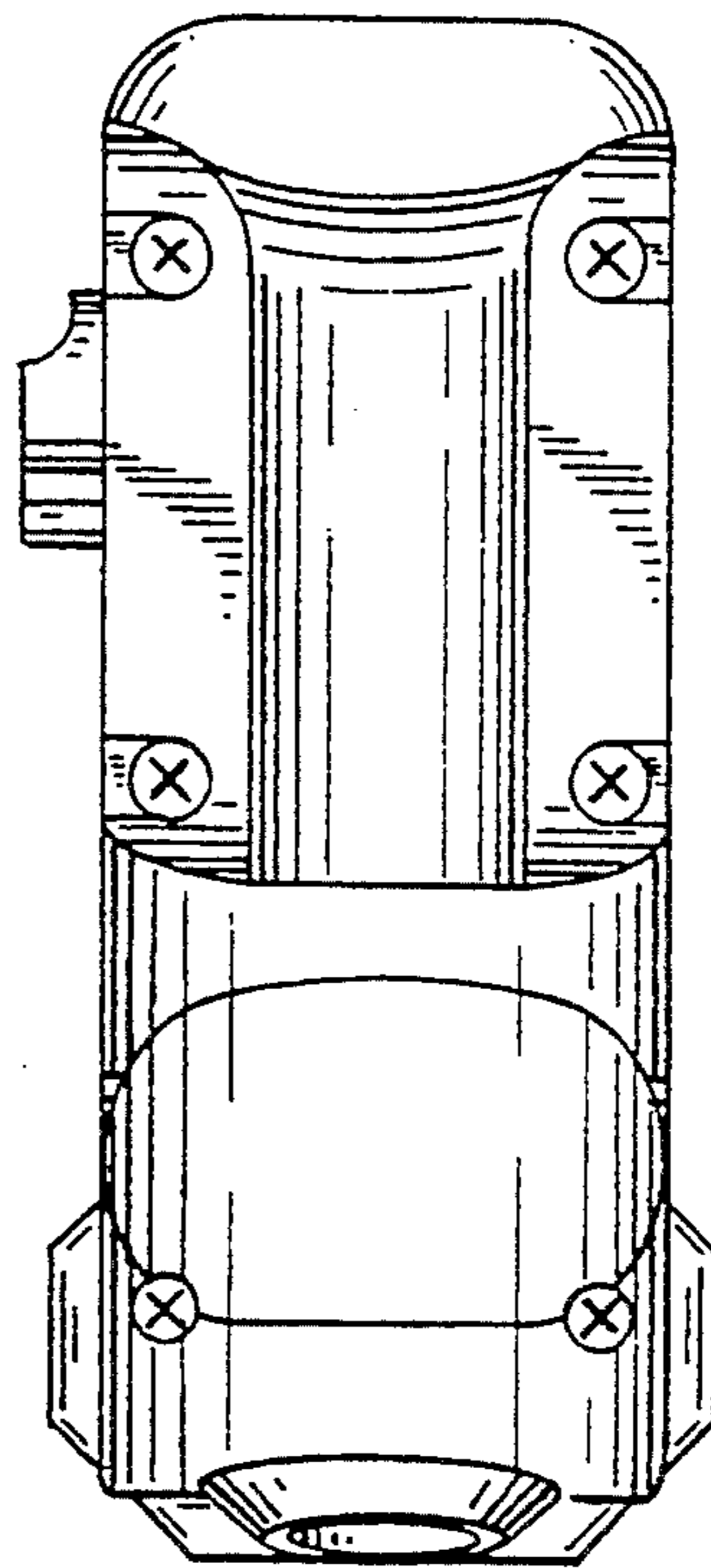


FIG. 5

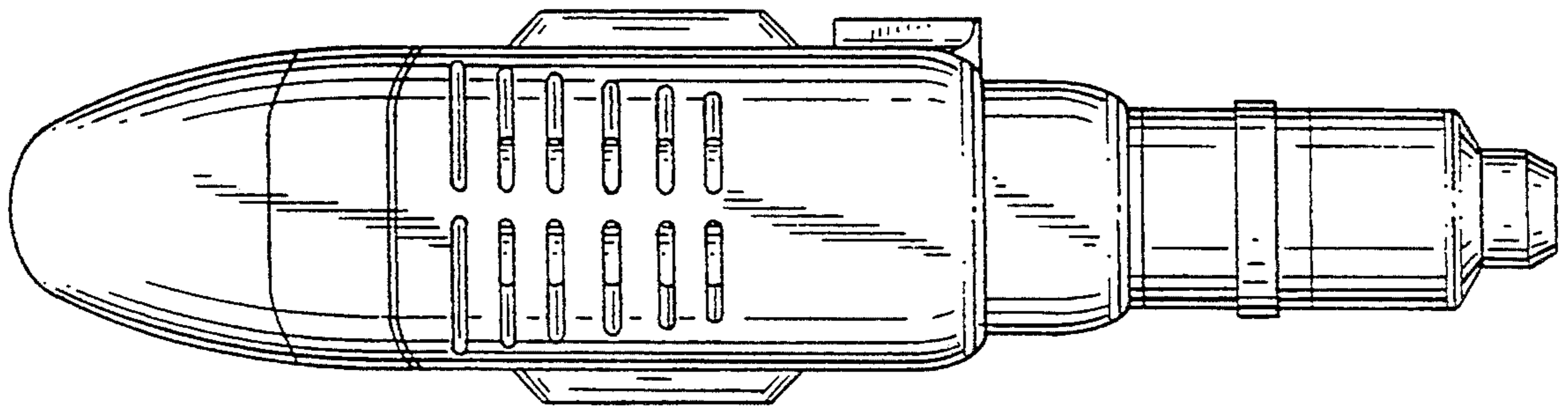


FIG. 6

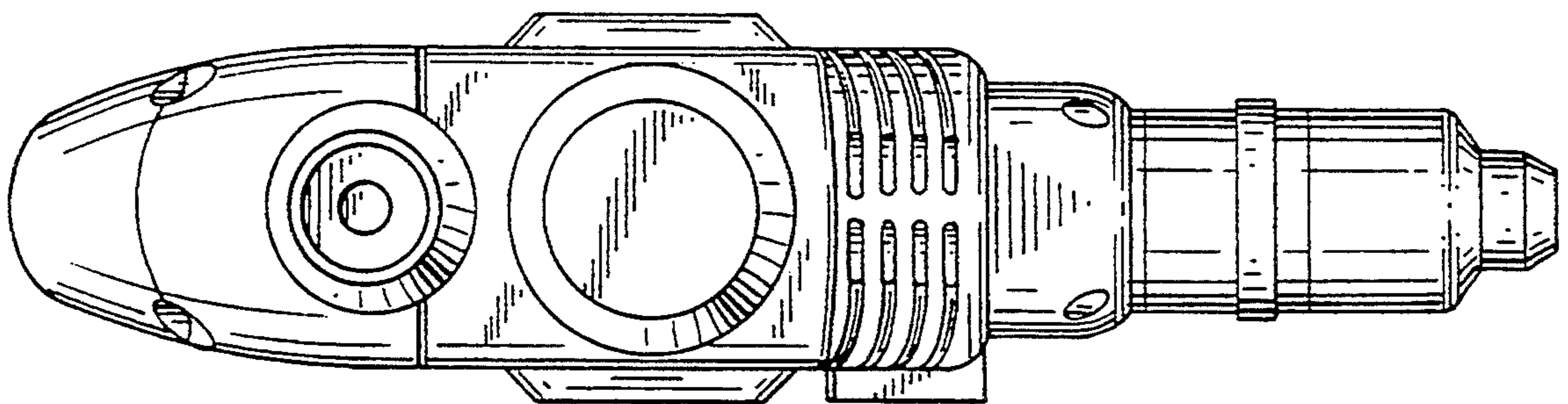


FIG. 7

