



US00D361251S

# United States Patent [19] Griffin

[11] Patent Number: **Des. 361,251**

[45] Date of Patent: **\*\* Aug. 15, 1995**

[54] CHAIN SAW

[75] Inventor: **John Griffin**, Phoenix, Ariz.

[73] Assignee: **McCulloch Corporation**, Tucson, Ariz.

[\*\*] Term: **14 Years**

[21] Appl. No.: **21,494**

[22] Filed: **Apr. 19, 1994**

[52] U.S. Cl. .... **D8/65**

[58] Field of Search ..... **D8/61, 65; 30/381, 382, 30/383, 386, 384**

4,202,096	5/1980	Nagashima	30/381
4,602,656	7/1986	Nagashima et al.	137/590
4,615,398	10/1986	Nagashima	173/162 H
4,654,970	4/1987	Nagashima	30/383
4,785,539	11/1988	Nagashima	30/381
4,796,360	1/1989	Fischer et al.	30/384
4,903,410	2/1990	Wieninger et al.	30/387
4,939,842	7/1990	Rebhan	30/386
5,070,618	12/1991	Edlund	30/386
5,099,580	3/1992	Stegall et al.	30/383
5,271,157	12/1993	Wieninger et al.	30/387

*Primary Examiner*—Alan P. Douglas  
*Assistant Examiner*—Jeffrey H. Musgrove  
*Attorney, Agent, or Firm*—Marshall, O'Toole, Gerstein, Murray & Borun

[56] **References Cited**

**U.S. PATENT DOCUMENTS**

D. 203,099	11/1965	Budd et al.	
D. 213,939	4/1969	Burkett et al.	D93/3
D. 223,600	5/1972	Averitt	D8/65
D. 238,103	12/1975	Tuggle	
D. 256,584	8/1980	Tuggle et al.	D15/1
D. 272,310	1/1984	Dynie et al.	D8/65
D. 273,456	4/1984	McDougall et al.	D8/65
D. 295,713	5/1988	Nagashima	D8/65
D. 302,931	8/1989	Nakajima et al.	D8/65
D. 303,207	9/1989	Nakajima	D8/65
D. 320,728	10/1991	Arvidsson	D8/65
D. 348,192	6/1994	Griffin	D8/65
D. 350,680	9/1994	Berfield	D8/65

[57] **CLAIM**

The ornamental design for a chain saw, as shown and described.

**DESCRIPTION**

FIG. 1 is a right side elevational view thereof;  
FIG. 2 is a left side elevational view thereof;  
FIG. 3 is a plan view thereof;  
FIG. 4 is a front elevational view thereof;  
FIG. 5 is a rear elevational view thereof; and,  
FIG. 6 is a bottom elevational view thereof.  
The broken line showing of the bar is for illustrative purposes only and forms no part of the claimed design.

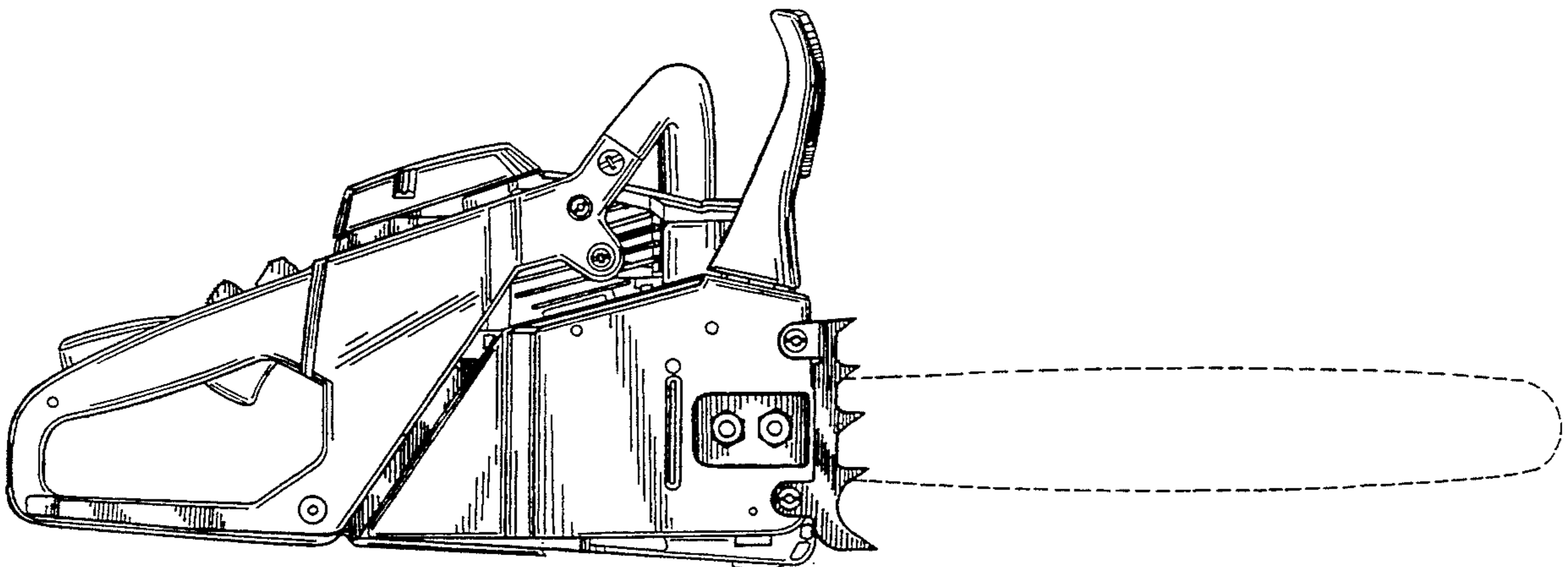


FIG. 1

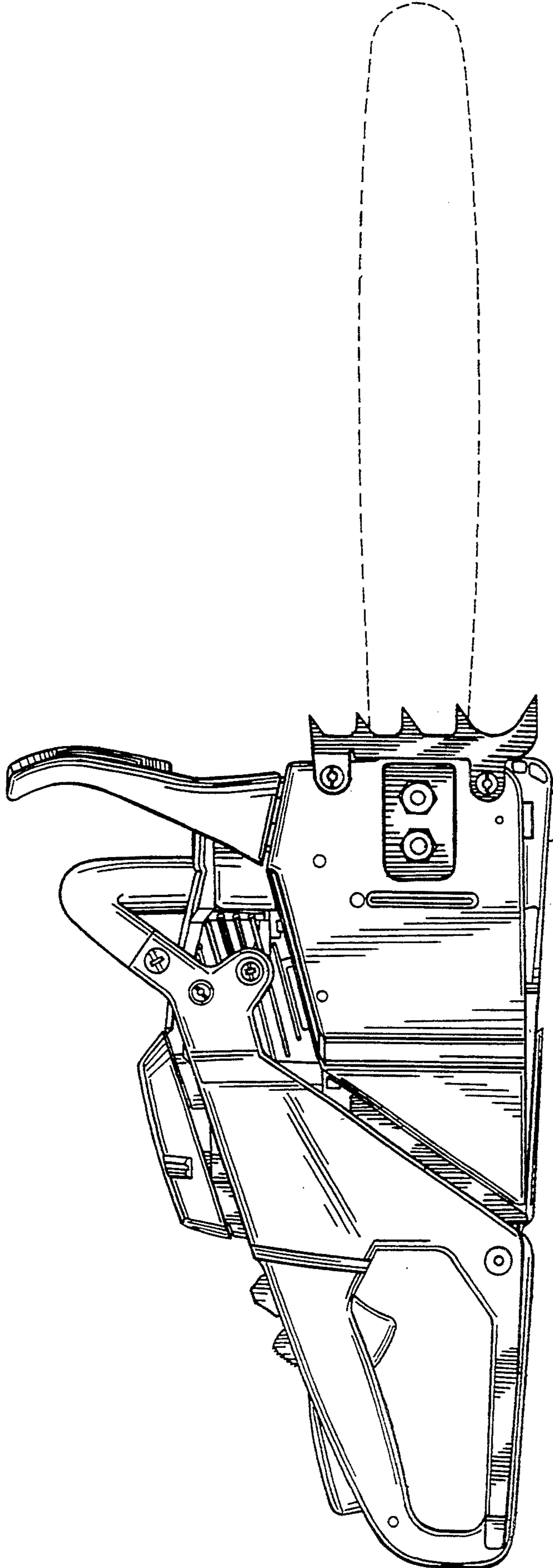


FIG. 2

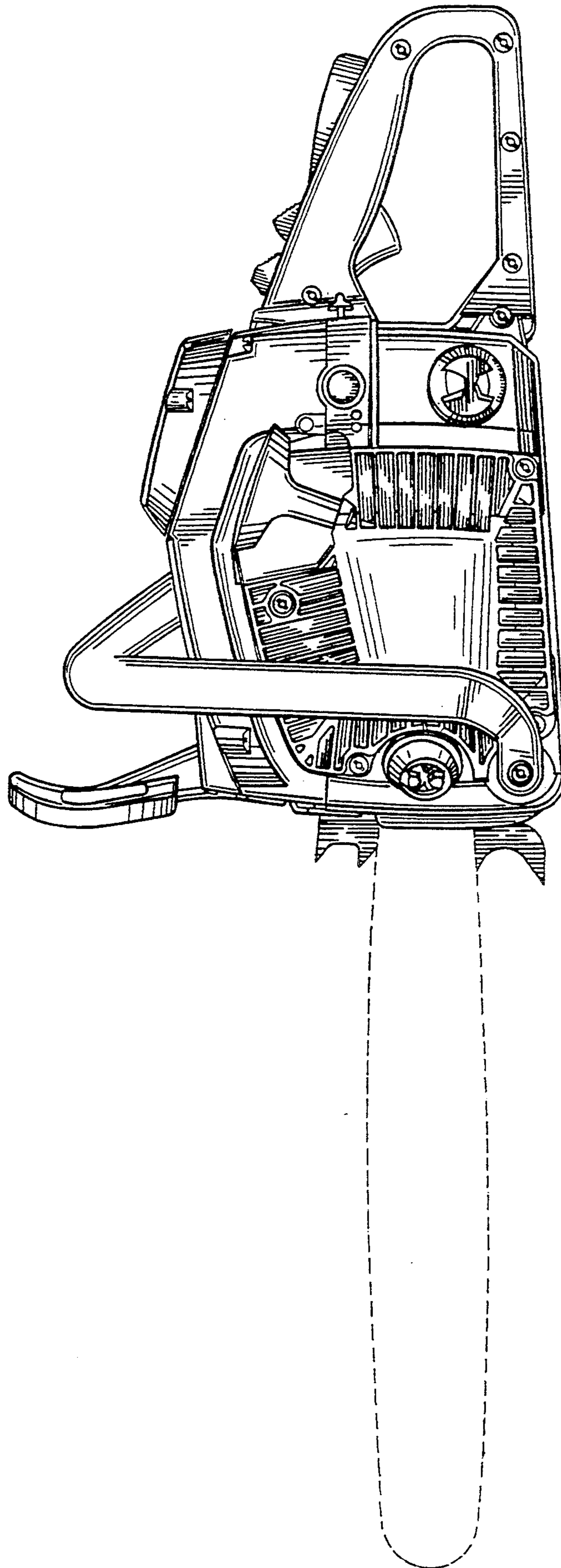
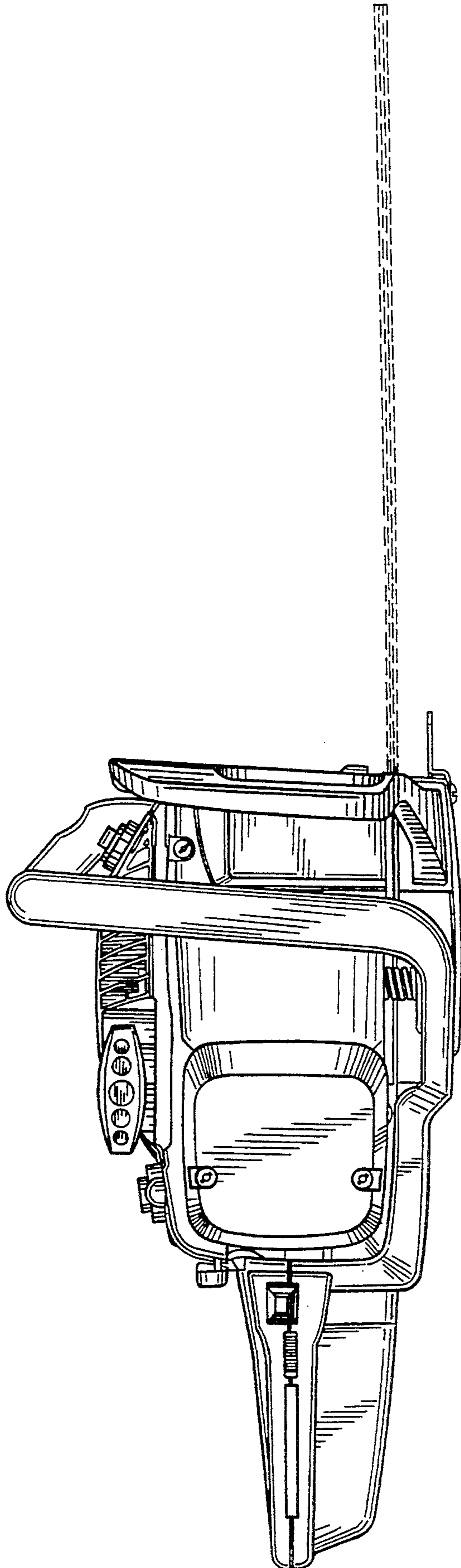


FIG. 3



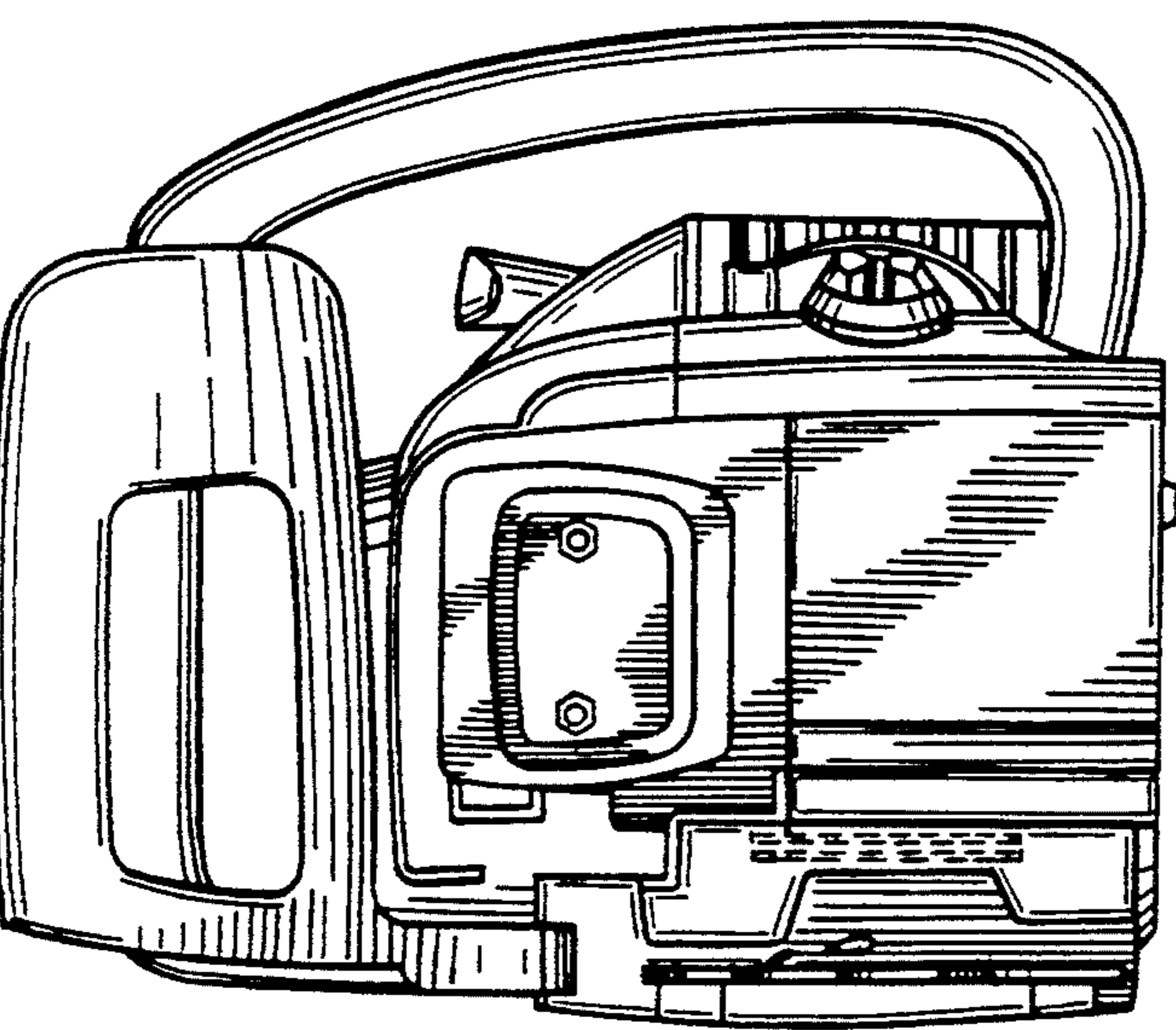


FIG. 5

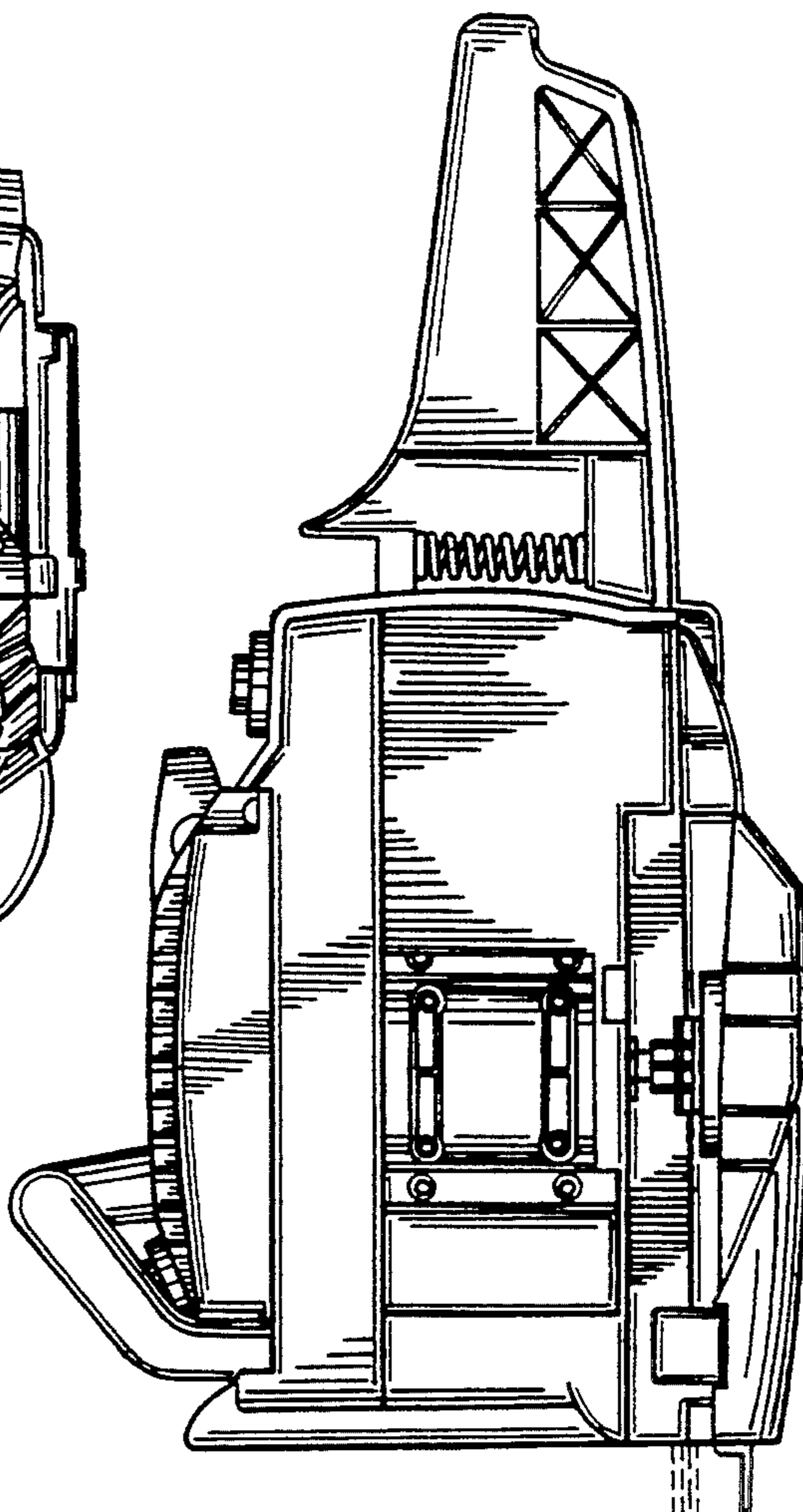
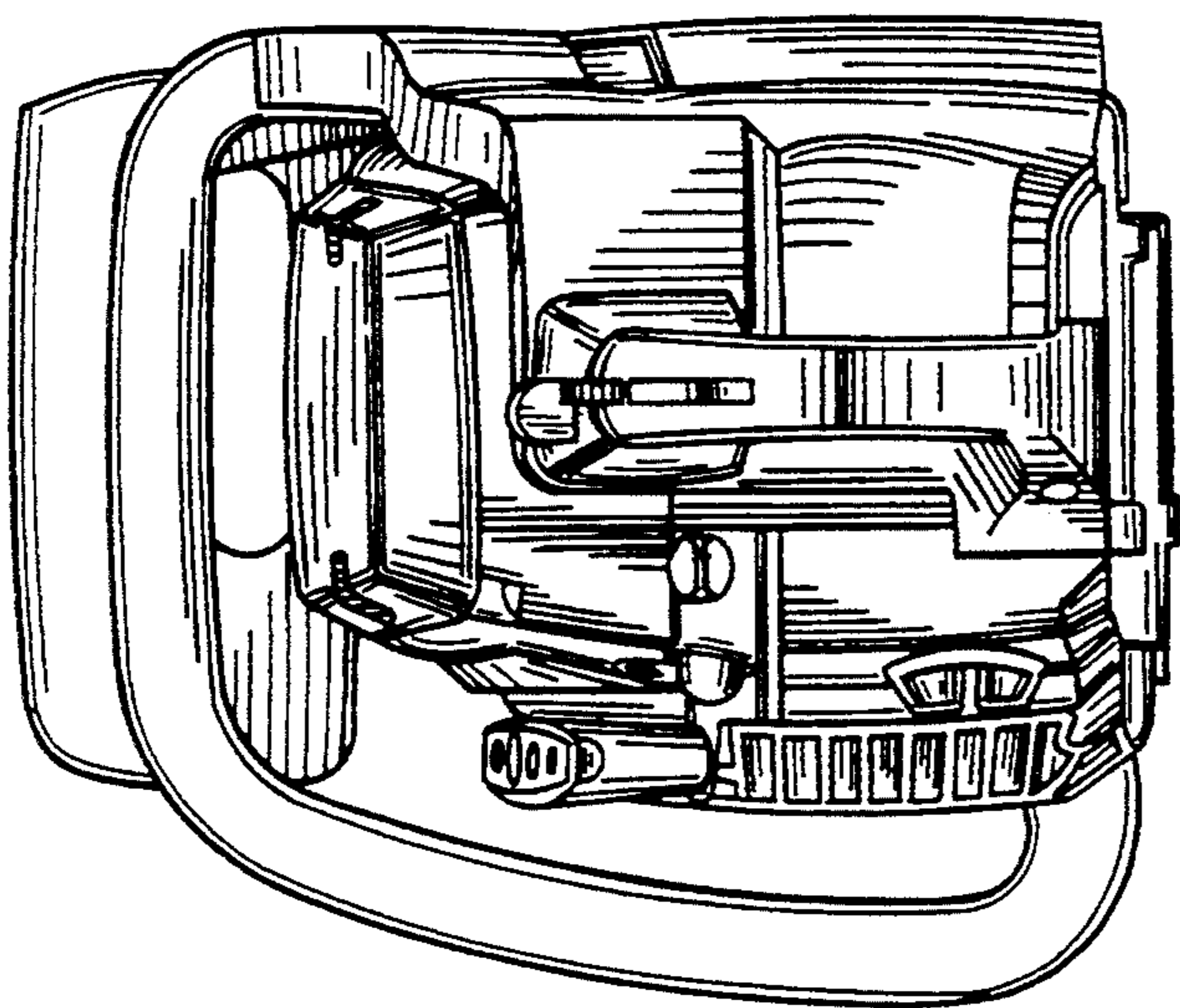


FIG. 6