



US00D361248S

United States Patent [19]

[11] Patent Number: **Des. 361,248**

Harper et al.

[45] Date of Patent: **** Aug. 15, 1995**

[54] POST PULLER

[76] Inventors: **Randall L. Harper**, 421 N. 20th St.;
Miechel C. Geddes, 4309 Vandaveer Rd., both of Billings, Mont. 59101

[**] Term: **14 Years**

[21] Appl. No.: **22,703**

[22] Filed: **May 2, 1994**

[52] U.S. Cl. **D8/51; D8/88**

[58] Field of Search **D8/51, 14, 88, 89;**
254/30, 31, 131, 132, 133

[56] **References Cited**

U.S. PATENT DOCUMENTS

D. 312,196 11/1990 Norona D8/88
2,532,533 12/1950 Baldwin et al. 254/31

4,161,310 7/1978 Parker 254/30
4,726,565 2/1988 Keller 254/30
4,738,433 4/1988 Hoff 254/30
5,022,632 6/1991 Beideck 254/30
5,186,437 2/1993 Scott 254/30

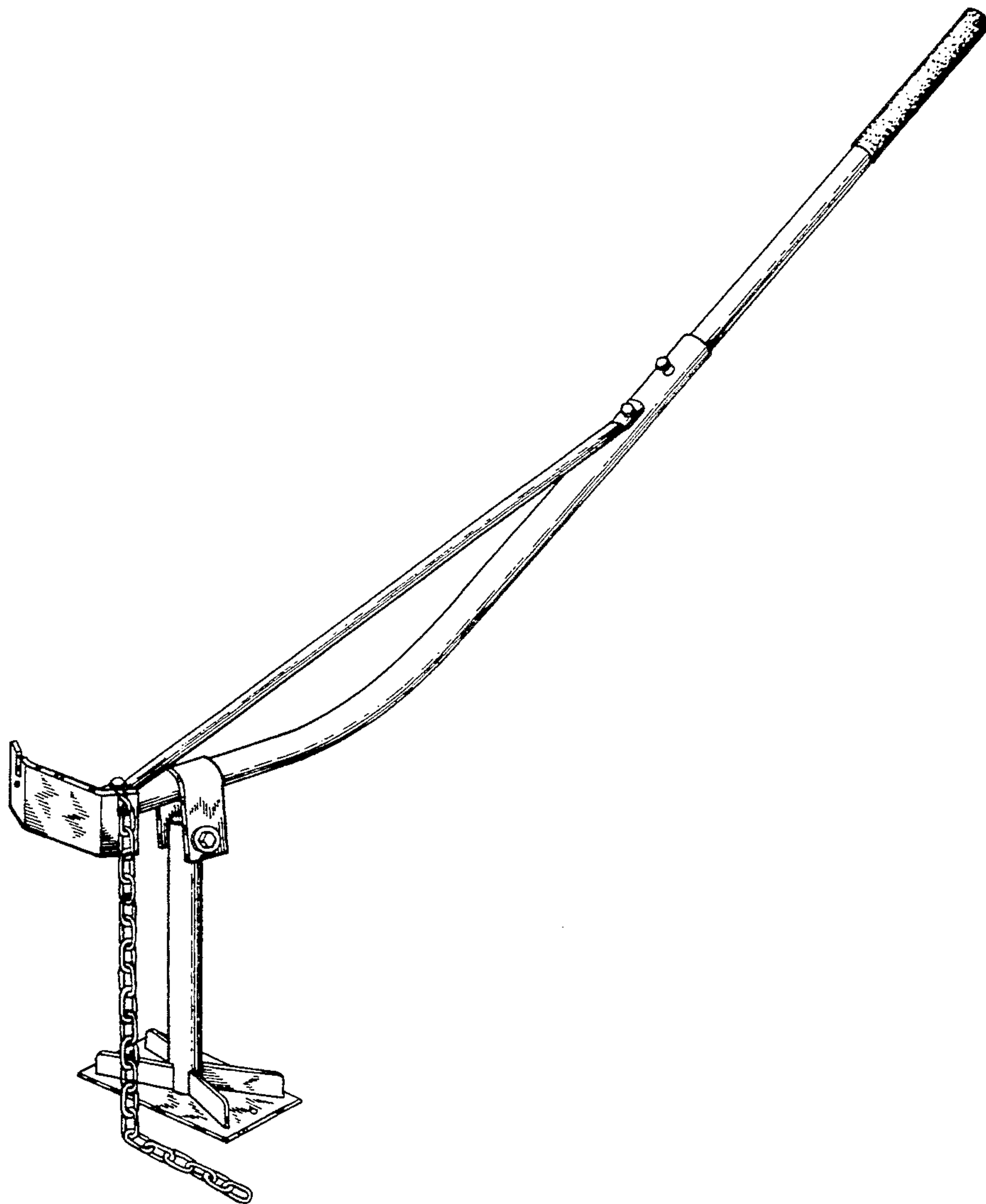
Primary Examiner—Theodore M. Shooman
Assistant Examiner—Philip Hyder

[57] **CLAIM**

The ornamental design for a post puller, as shown.

DESCRIPTION

FIG. 1 is a perspective view of a post puller showing our new design;
FIG. 2 is a side elevation taken from the right of FIG. 1;
FIG. 3 is a front elevation view thereof;
FIG. 4 is a rear elevation view thereof; and,
FIG. 5 is a top plan view.



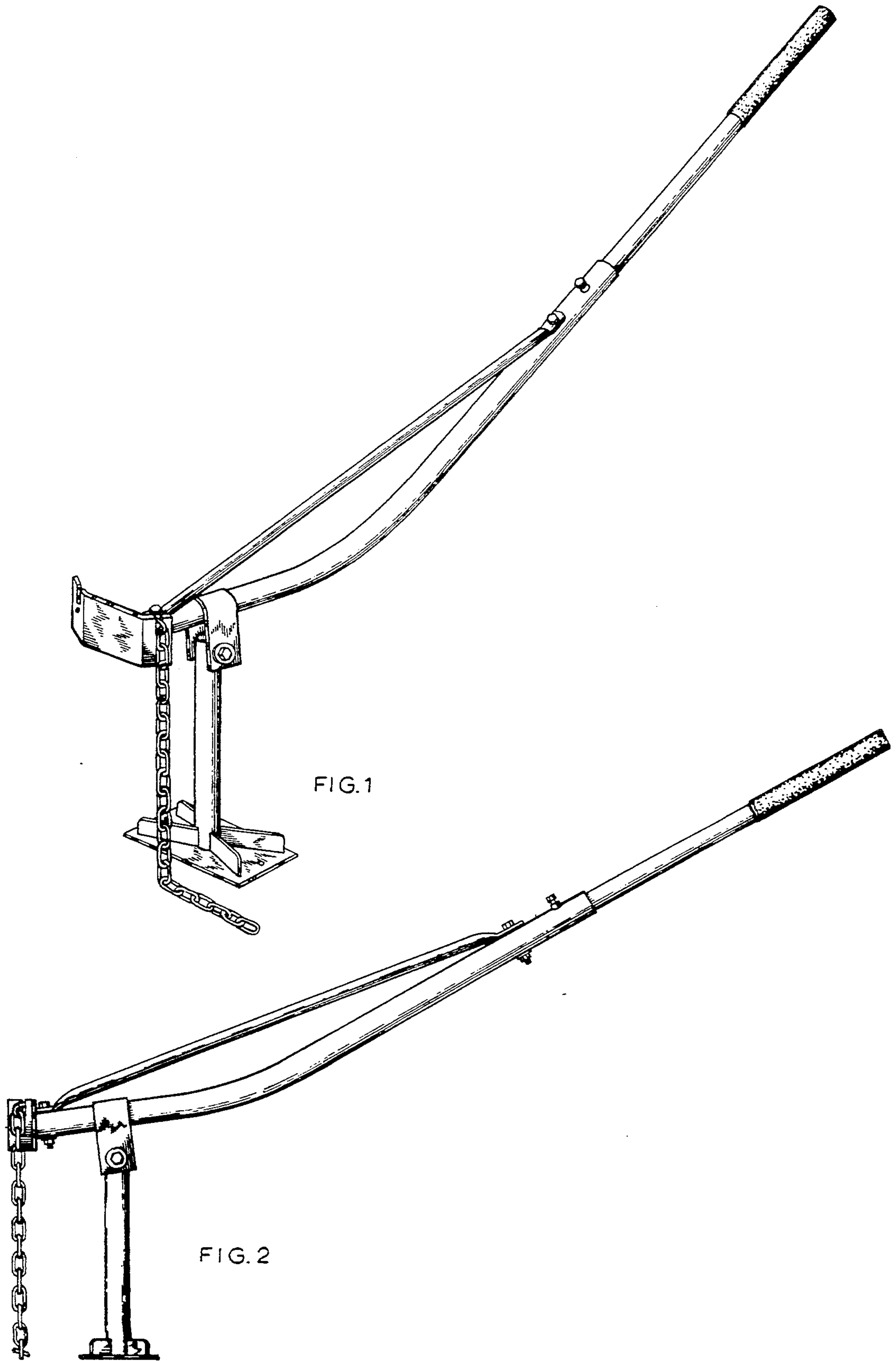


FIG. 1

FIG. 2

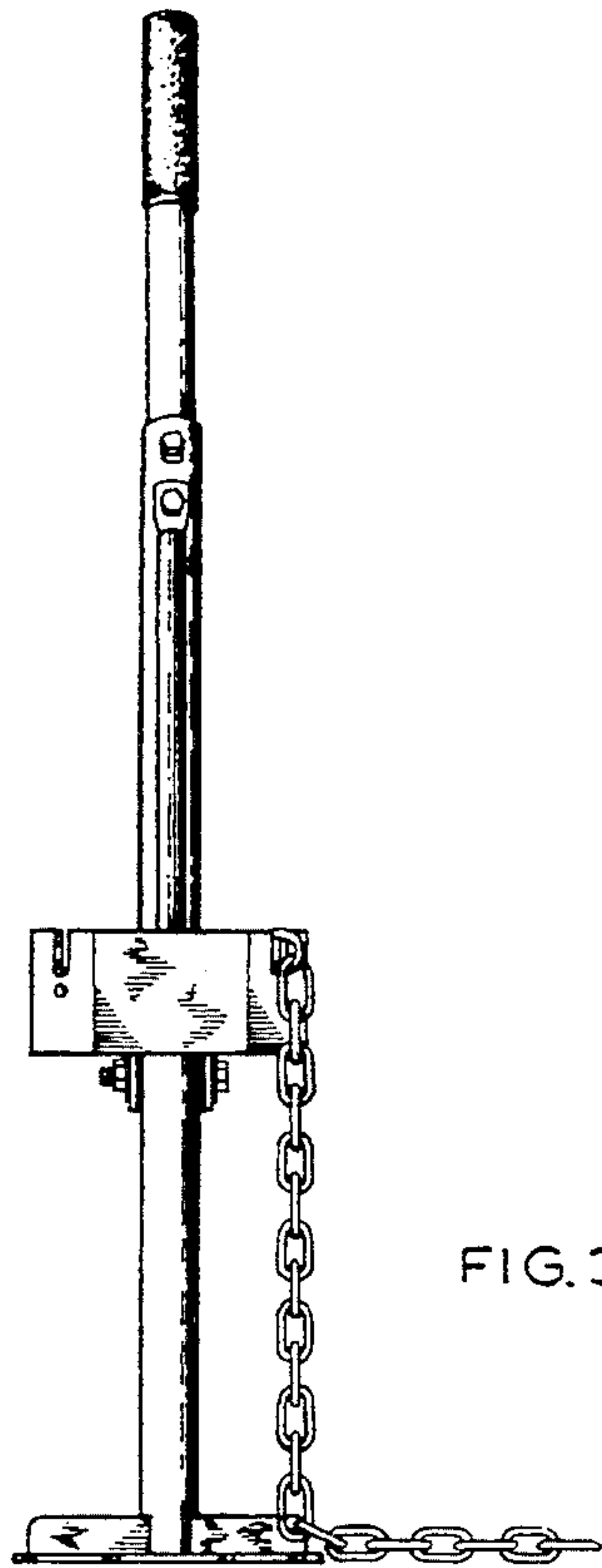


FIG. 3

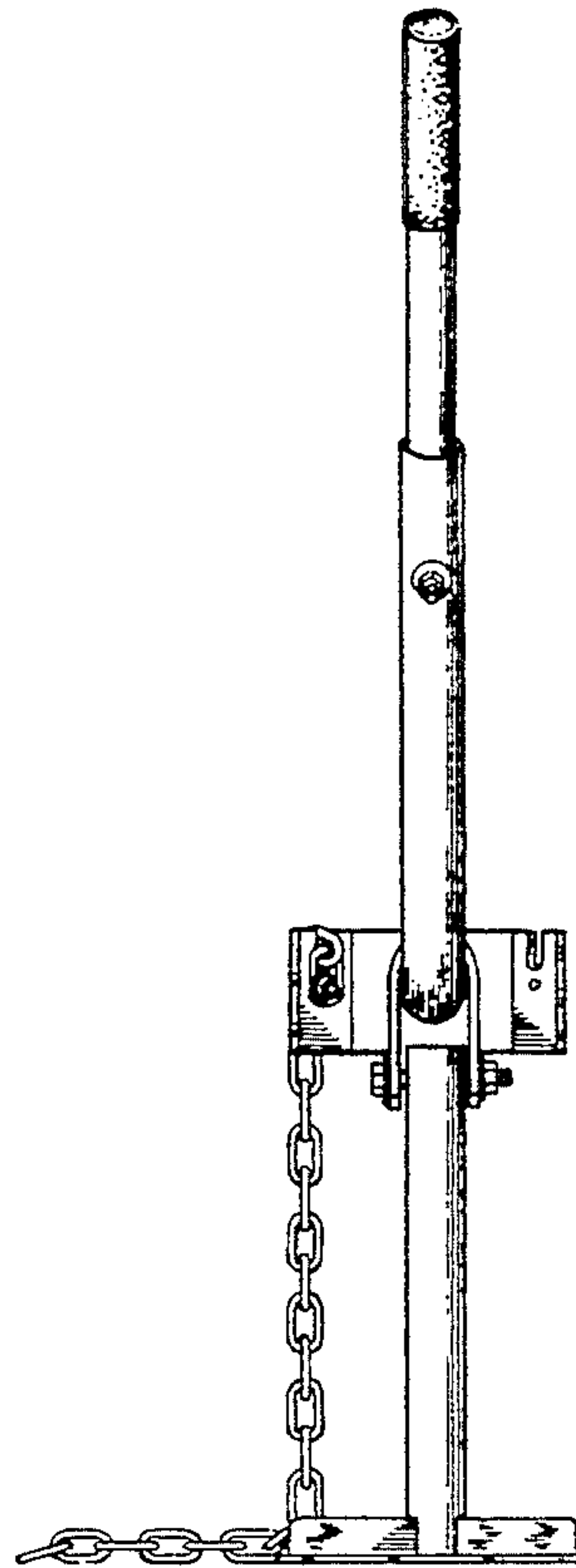


FIG. 4

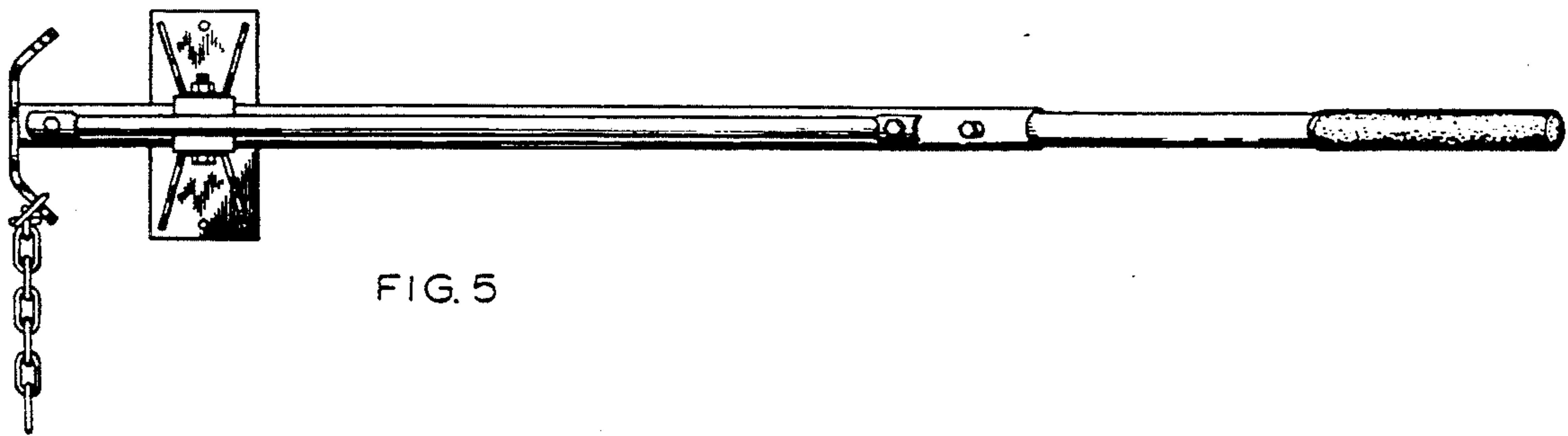


FIG. 5