



US00D361247S

United States Patent [19]

[11] Patent Number: **Des. 361,247**

Snetting et al.

[45] Date of Patent: **** Aug. 15, 1995**

[54] POWERED CAULKER

[75] Inventors: **Mark E. Snetting; Steven A. Anderson**, both of Eden Prairie; **Paul A. Piloni**, Minneapolis, all of Minn.

[73] Assignee: **Wagner Spray Tech Corporation**, Minneapolis, Minn.

[**] Term: **14 Years**

[21] Appl. No.: **25,858**

[22] Filed: **Jul. 18, 1994**

[52] U.S. Cl. **D8/14.1**

[58] Field of Search **D8/14.1; 222/325, 326, 222/327, 333, 339, 153, 63, 46; 425/376 R**

[56] References Cited

U.S. PATENT DOCUMENTS

D. 263,635	3/1982	Wendt	D8/14.1
D. 290,681	7/1987	Pudwill	D8/14.1
D. 328,555	8/1992	Keller	D8/14.1
4,171,072	10/1979	Davis, Jr.	D8/14.1 X
4,260,076	4/1981	Bergman	222/46
4,335,834	1/1982	Zepkin	222/63
4,583,934	4/1986	Hata	425/376 R
4,615,469	10/1986	Kishi	222/327
4,669,636	6/1987	Miyata	222/153
4,986,454	1/1991	Riley	222/327

FOREIGN PATENT DOCUMENTS

74301276 3/1985 Taiwan .
74302325 4/1985 .

OTHER PUBLICATIONS

Article 909 ASSE Powered Caulking Gun Operating Instructions (Best available copy) 2 pages. Dated more than 1 year prior to a filing date.

AEG Rechargeable variable speed Cordless Caulking Gun EZ581 Operating Instructions 7 sheets, (10 original pages + cover + parts list + exploded view. Dated more than 1 year prior to filing date.

Primary Examiner—Alan P. Douglas
Assistant Examiner—Jeffrey H. Musgrove
Attorney, Agent, or Firm—Faegre & Benson

[57] CLAIM

The ornamental design for a powered caulk, as shown and described.

DESCRIPTION

FIG. 1 is a right side elevational view of a powered caulk showing my new design, the opposite side being a mirror image;

FIG. 2 is a top plan view thereof;

FIG. 3 is a bottom plan view thereof;

FIG. 4 is a rear elevational view thereof; and,

FIG. 5 is a front elevation view thereof.

The broken line showing of the holder and tip is for illustrative purposes only and forms no part of the claimed design.

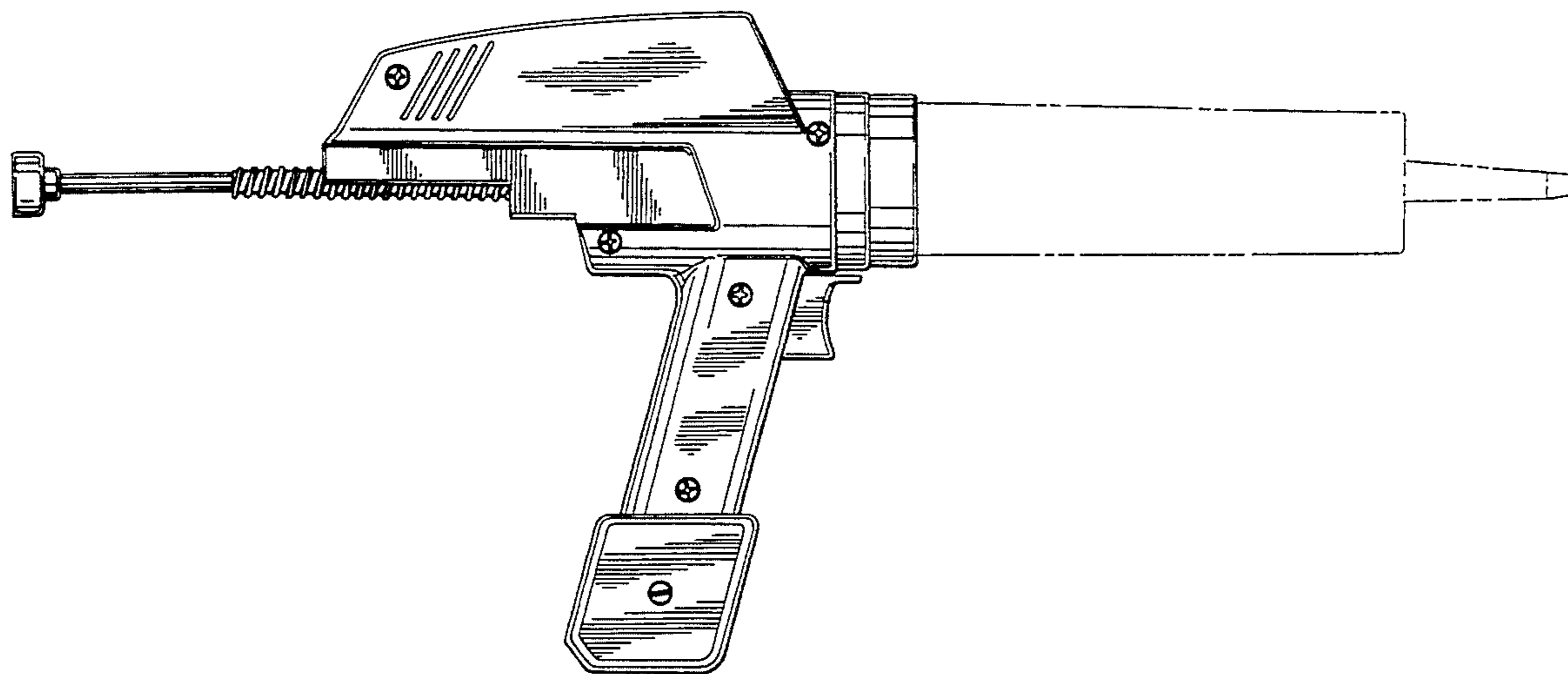


Fig. 1

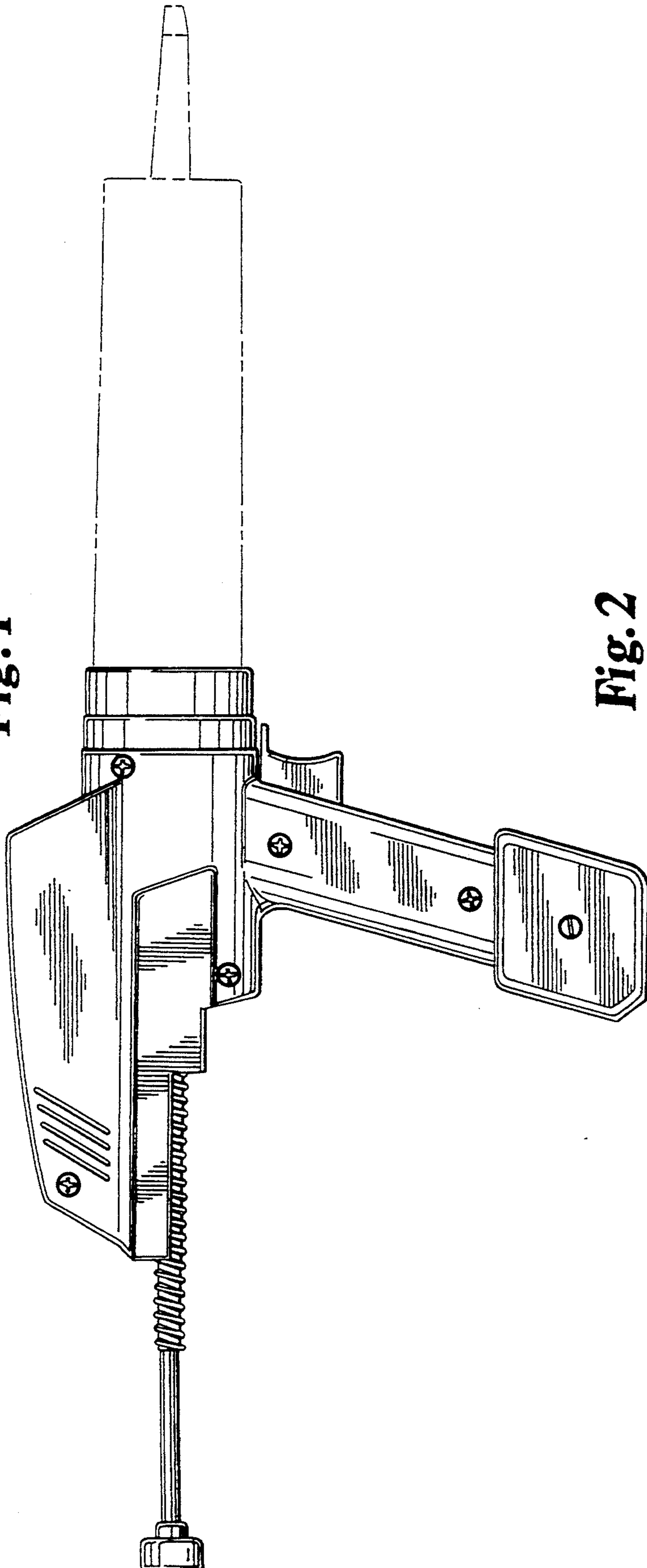


Fig. 2

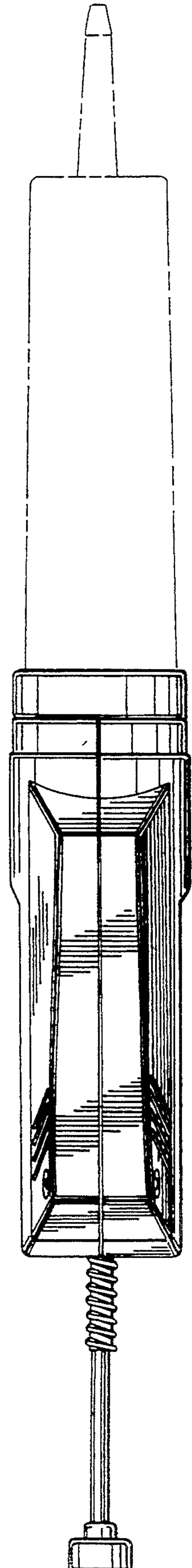


Fig. 3

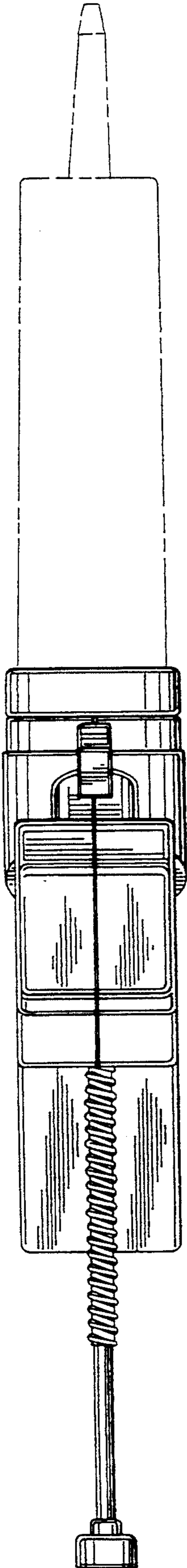


Fig. 4

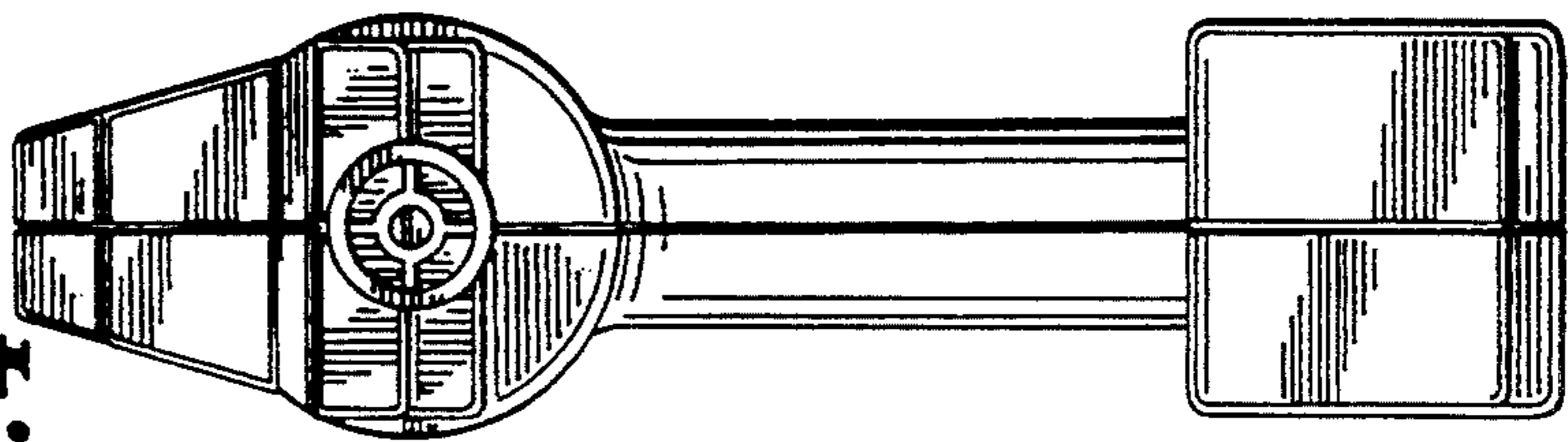


Fig. 5

