



US00D361245S

United States Patent [19]

[11] Patent Number: **Des. 361,245**

Altergott

[45] Date of Patent: **** Aug. 15, 1995**

[54] **RAKE**

[76] Inventor: **Henry Altergott**, 4853 Montrose Ave., Chicago, Ill. 60641

[**] Term: **14 Years**

[21] Appl. No.: **25,763**

[22] Filed: **Jul. 11, 1994**

[52] U.S. Cl. **D8/13**

[58] Field of Search **D8/13; 56/400.01, 400.04, 56/400.21**

[56] **References Cited**

U.S. PATENT DOCUMENTS

D. 248,612 7/1978 Oas **D8/13**

Primary Examiner—A. Hugo Word

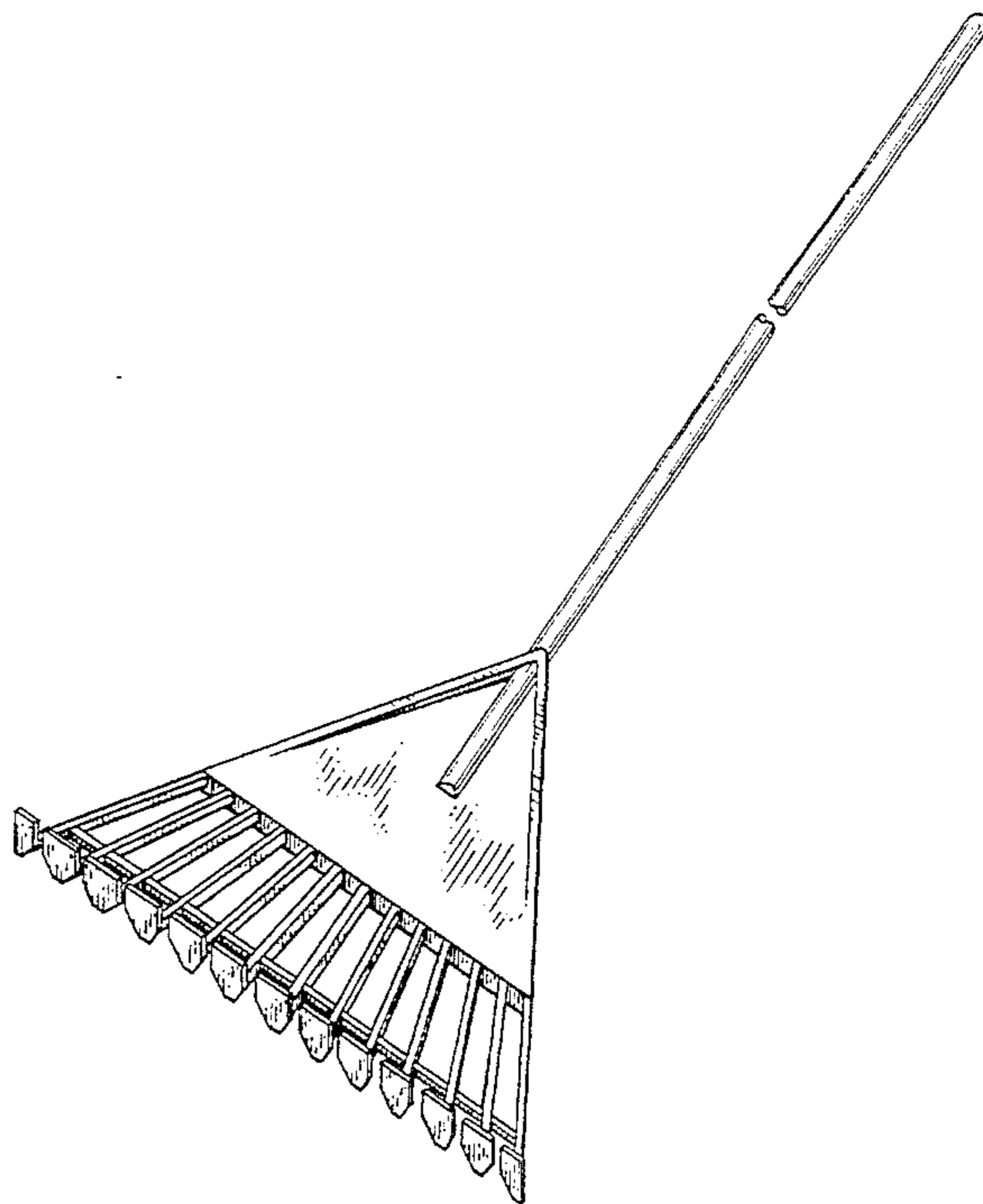
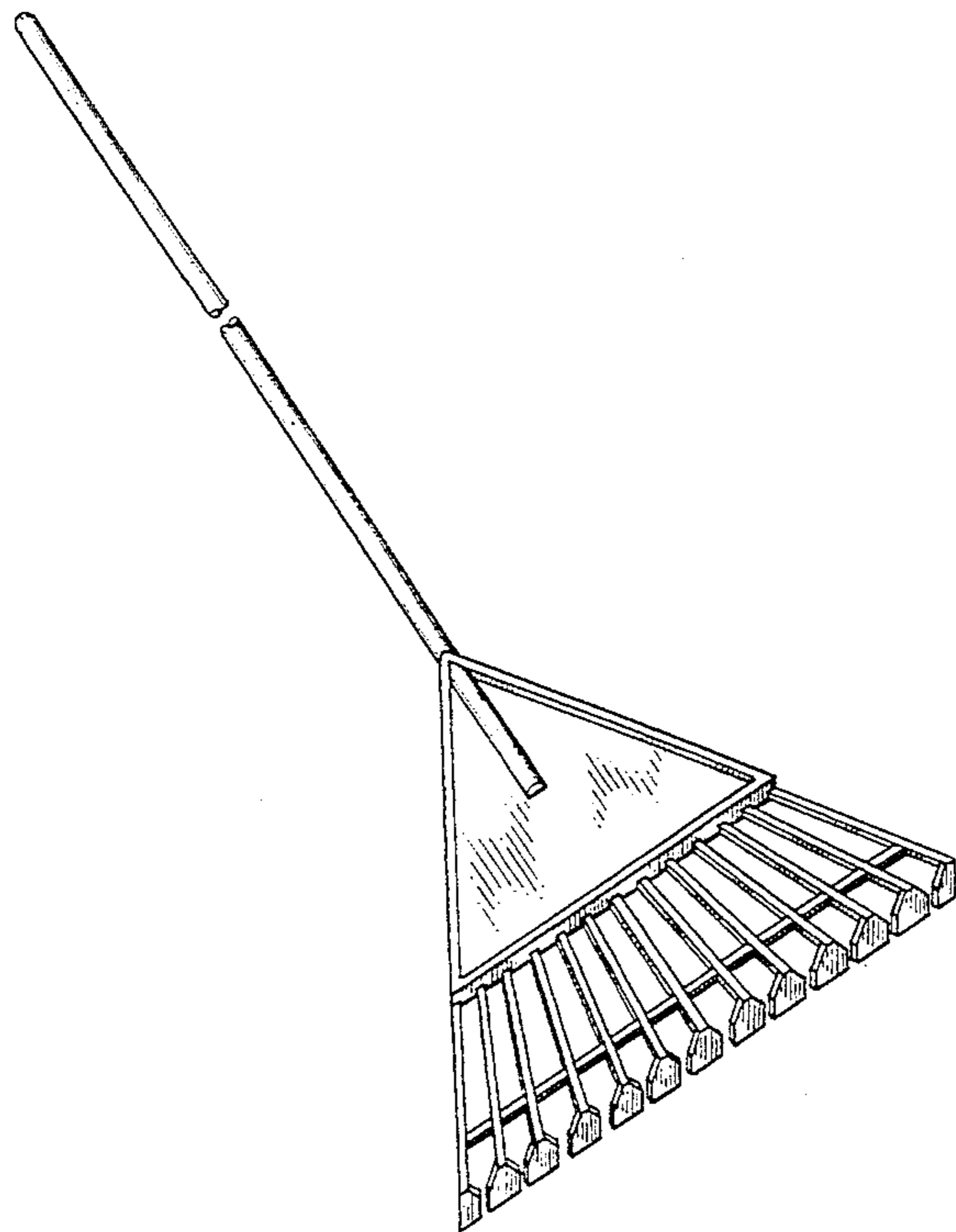
Assistant Examiner—Holly H. Baynham
Attorney, Agent, or Firm—Norman B. Rainer

[57] **CLAIM**

The ornamental design for a rake, as shown and described.

DESCRIPTION

FIG. 1 is a front view of a rake showing my new design; FIG. 2 is a side view thereof, the unshown opposite side being of mirror-image appearance; FIG. 3 is a top view thereof; FIG. 4 is a front, and bottom perspective view thereof; and, FIG. 5 is a rear, bottom perspective view thereof. The handle of the rake is shown broken away in FIGS. 1, 2 and 4 to indicate indeterminate length.



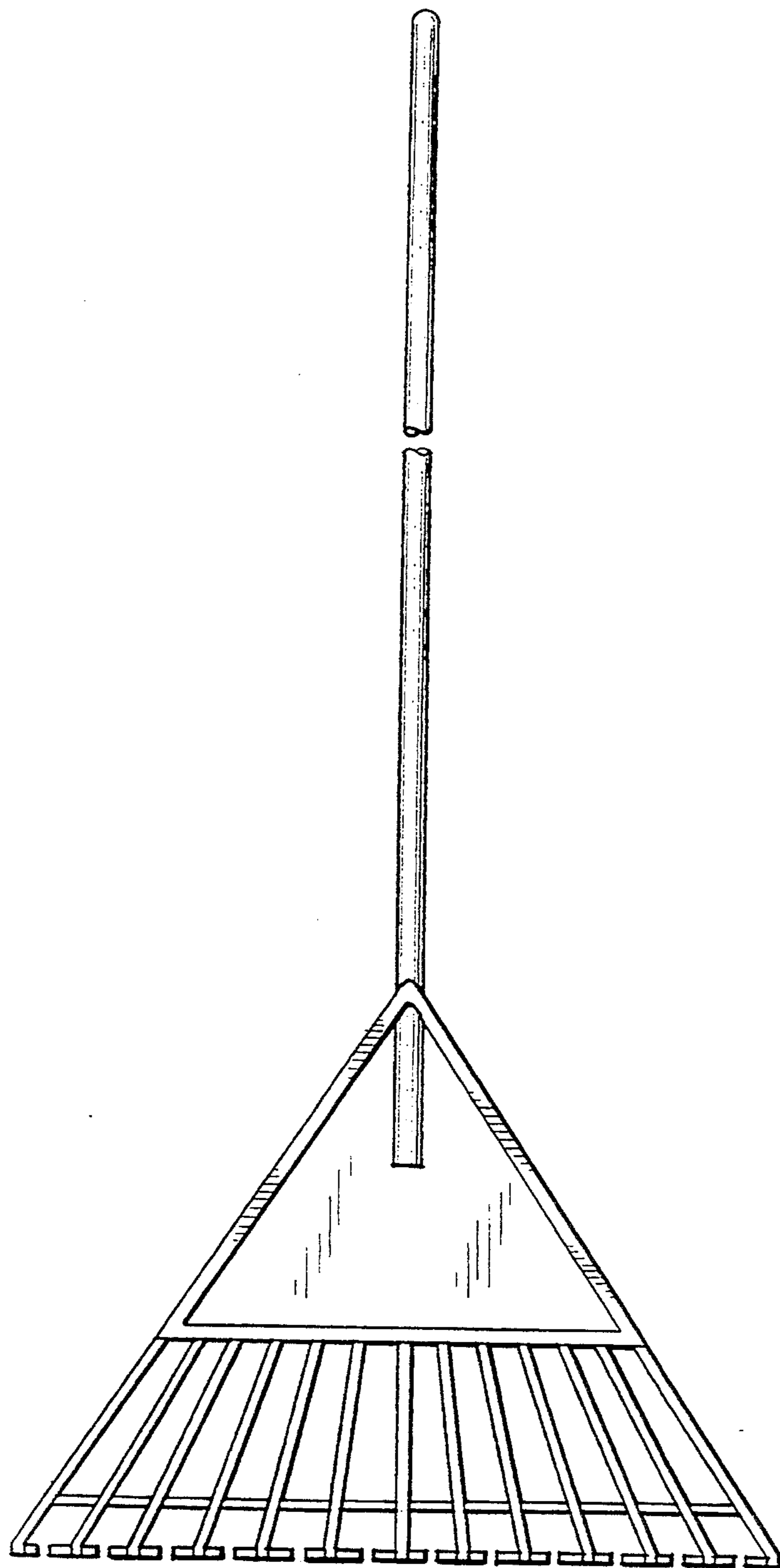


FIG 1

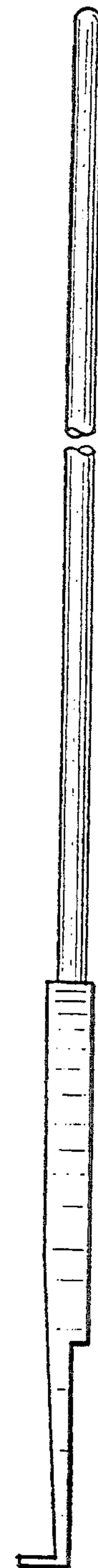


FIG 2



FIG 3

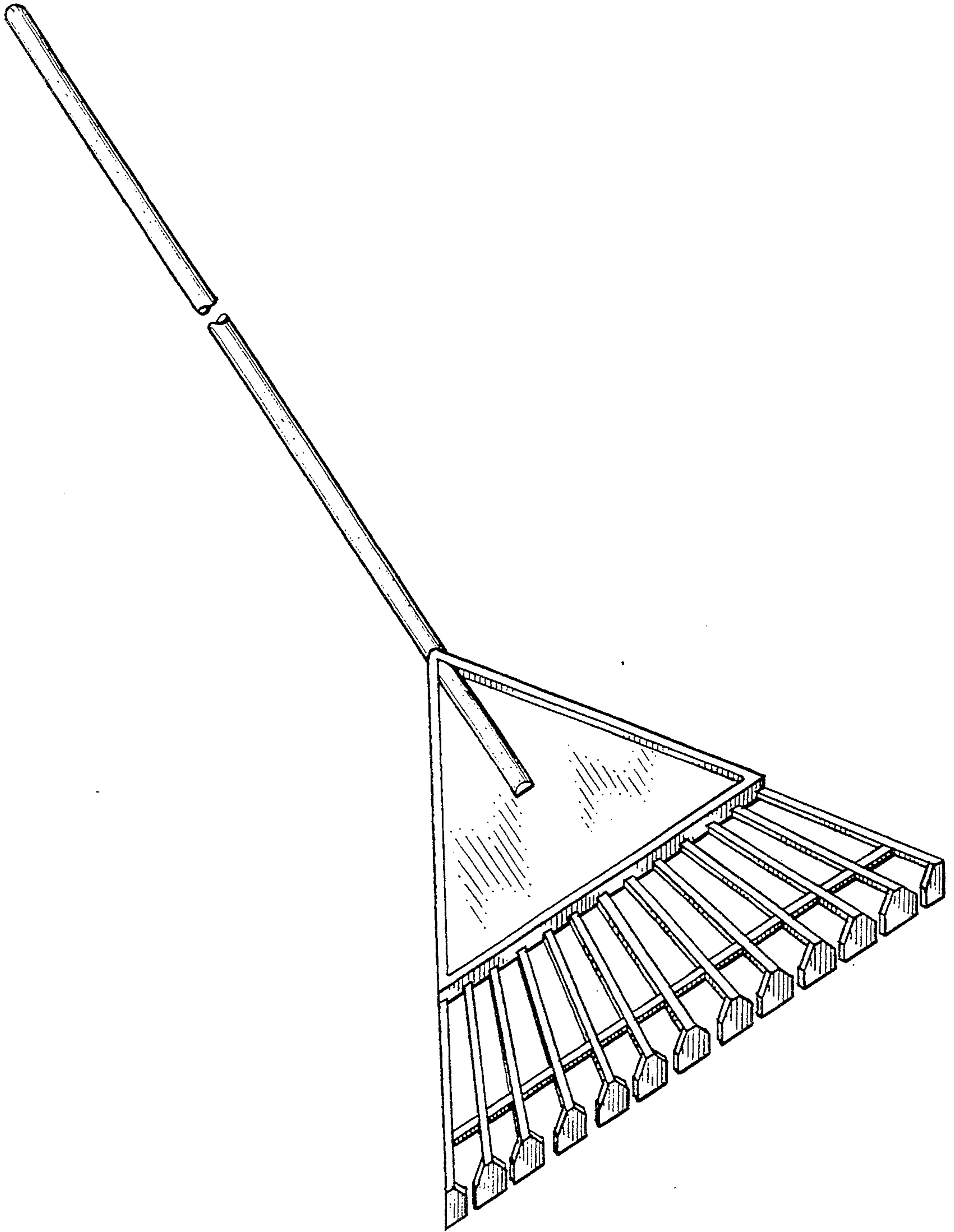


FIG 4

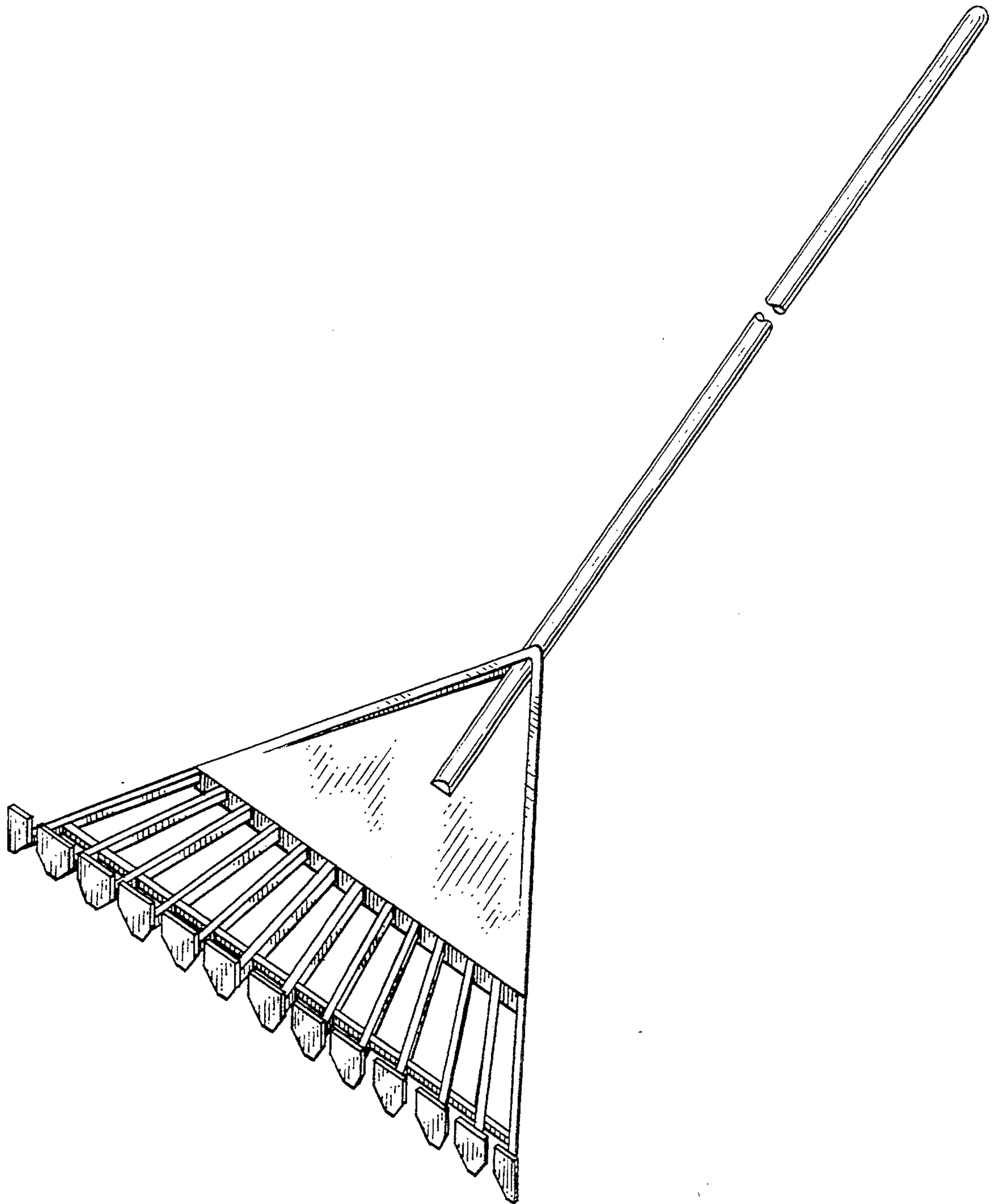


FIG. 5