



US00D361241S

United States Patent [19]

[11] Patent Number: **Des. 361,241**

Littmann

[45] Date of Patent: **** Aug. 15, 1995**

[54] **HAND HELD ELECTRIC MIXER**

73MR943B 11/1985 Germany .
M8905350 8/1989 Germany .
1272403 3/1992 Spain .
DM/006161 11/1985 WIPO .
66045 11/1992 WIPO .

[75] Inventor: **Ludwig Littmann**, Schwalbach, Germany

[73] Assignee: **Braun Aktiengesellschaft**, Kronberg, Germany

[**] Term: **14 Years**

[21] Appl. No.: **18,713**

[22] Filed: **Feb. 14, 1994**

[30] **Foreign Application Priority Data**

Aug. 18, 1993 [WO] WIPO DMA/002267

[52] U.S. Cl. **D7/376; D7/379**

[58] Field of Search **D7/376-380, D7/413; 366/129, 130, 199, 204, 205, 314**

[56] **References Cited**

U.S. PATENT DOCUMENTS

- D. 271,176 11/1983 Zimnowicz D7/379
- D. 327,603 7/1992 Van Asten D7/376
- D. 345,076 3/1994 Saltet D7/376
- D. 348,587 7/1994 Saltet D7/376

FOREIGN PATENT DOCUMENTS

73MR9398 6/1985 Germany .

OTHER PUBLICATIONS

W. Bell & Co. Catalog; 1985 p. 375; #1 Moulinex/Regal Supermix Immersion Blender.

Primary Examiner—Alan P. Douglas
Assistant Examiner—Caron D. Vaynar
Attorney, Agent, or Firm—Fish & Richardson

[57] **CLAIM**

The ornamental design for a hand held electric mixer, as shown and described.

DESCRIPTION

FIG. 1 is a perspective front elevational view of a hand held electric mixer showing my new design, viewed from the right;
FIG. 2 is a front view thereof;
FIG. 3 is one side view thereof;
FIG. 4 is a top plan view thereof;
FIG. 5 is another side view thereof;
FIG. 6 is a rear view thereof; and,
FIG. 7 is a bottom plan view of FIG. 1.

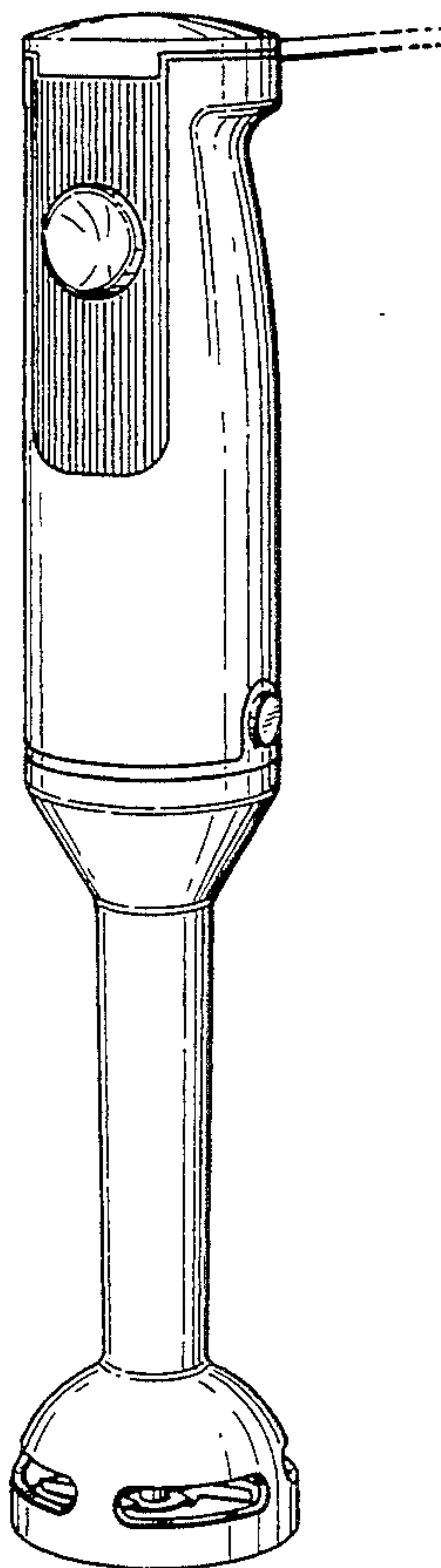


Fig. 1

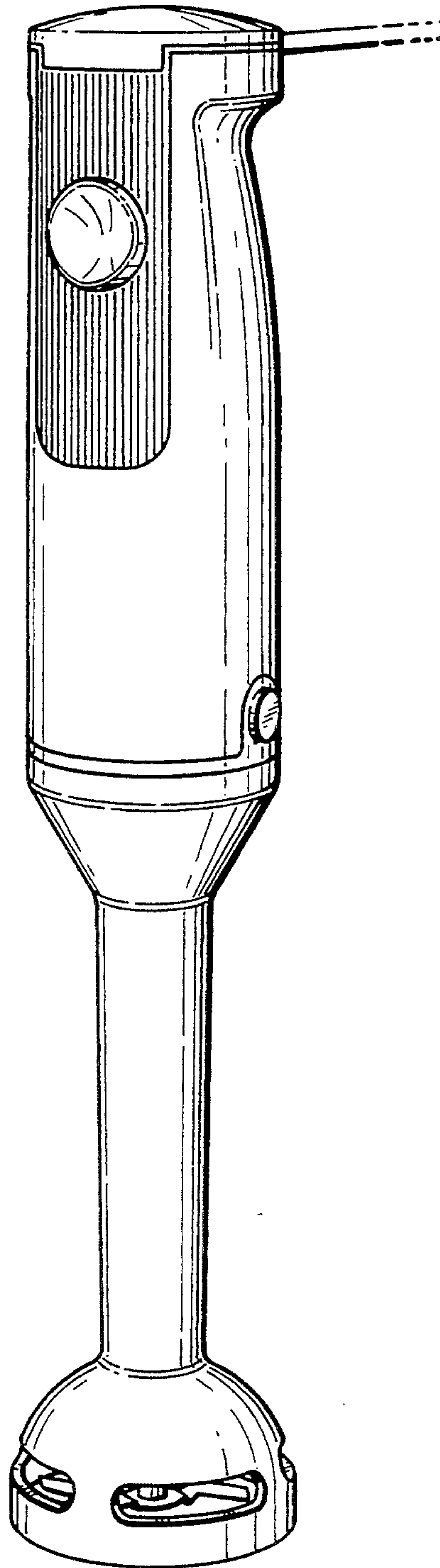


Fig. 2

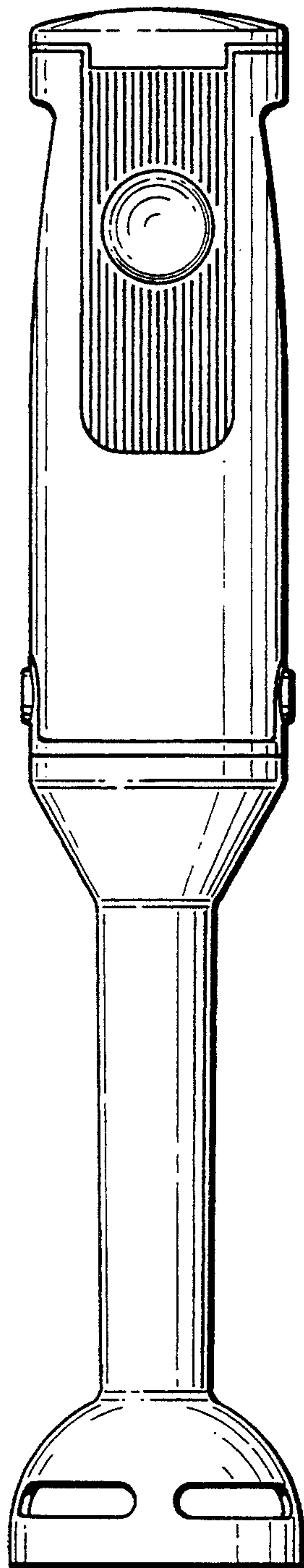


Fig. 3

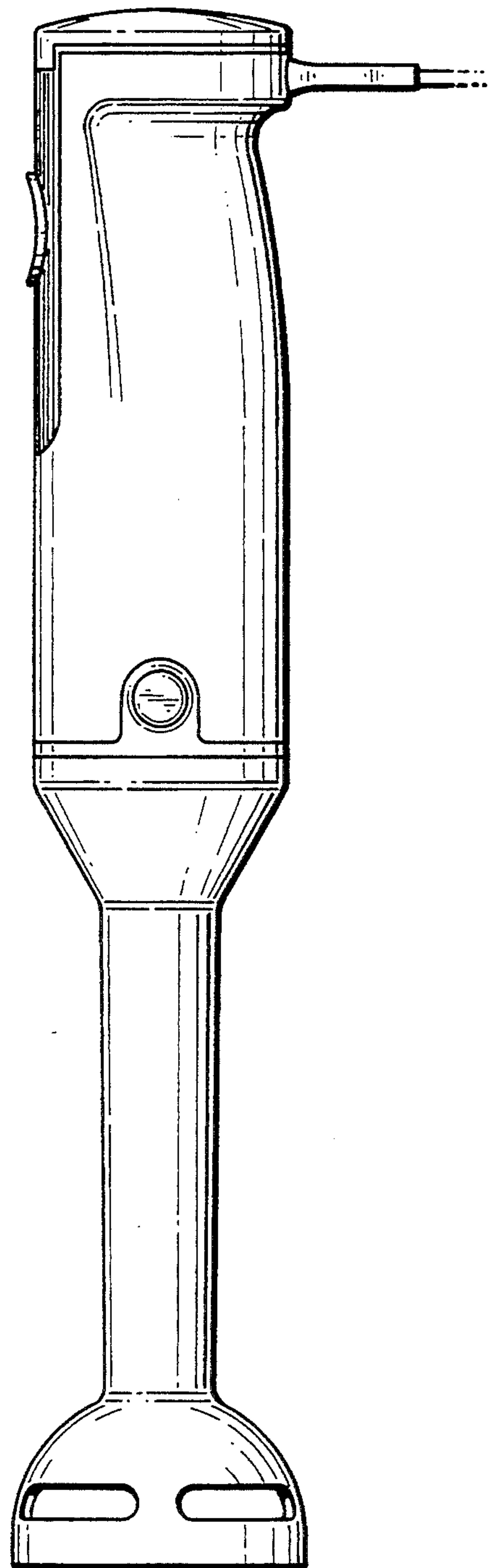


Fig. 4

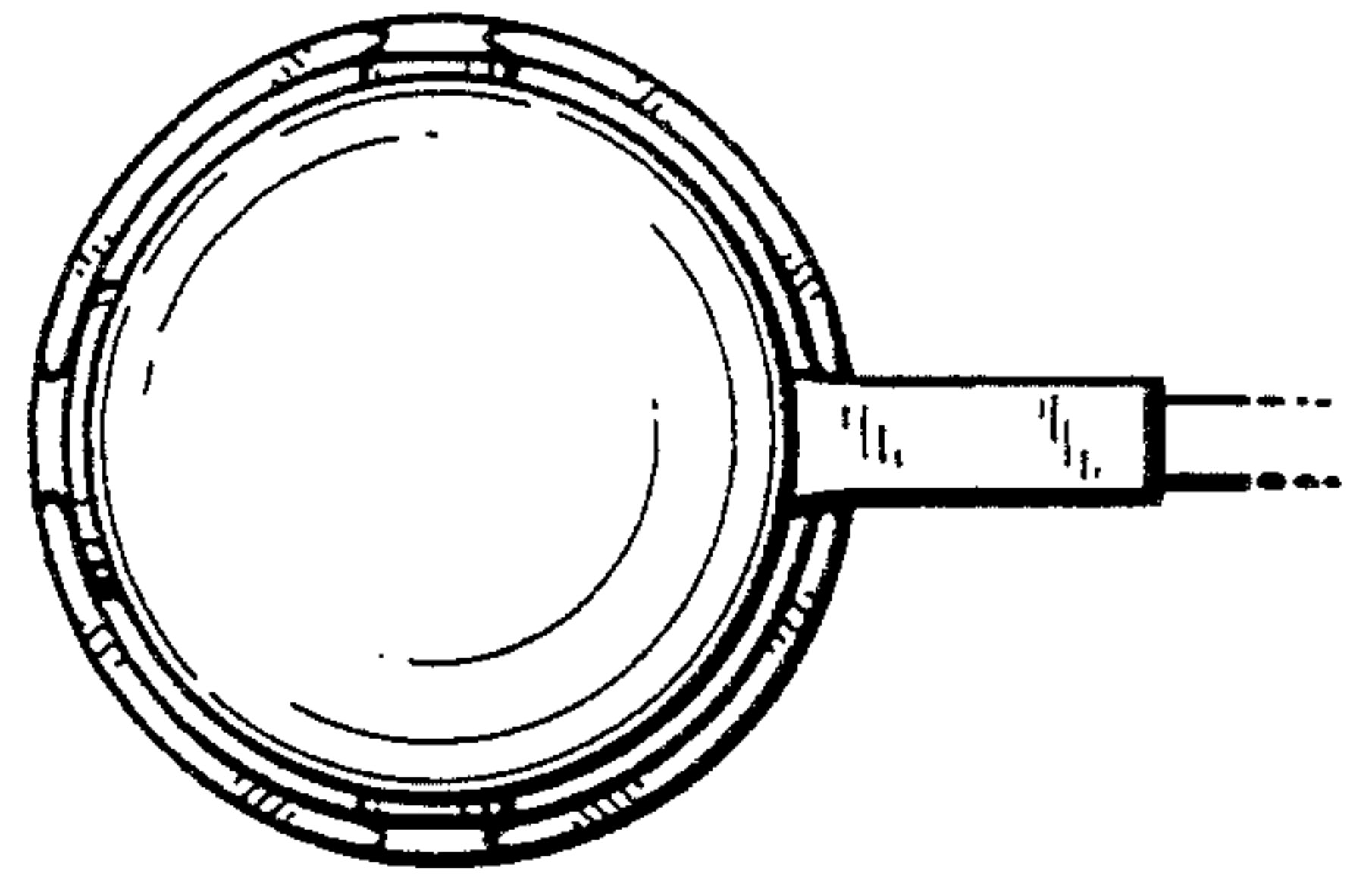


Fig. 6

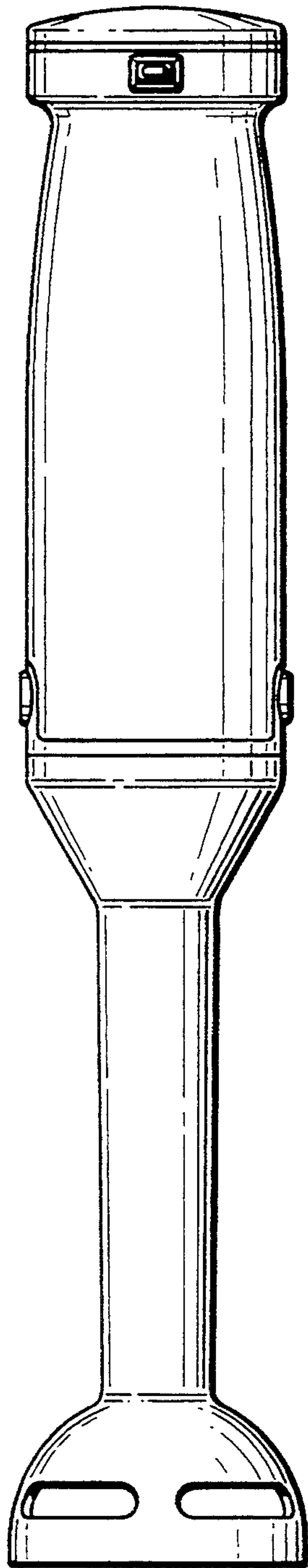


Fig. 5

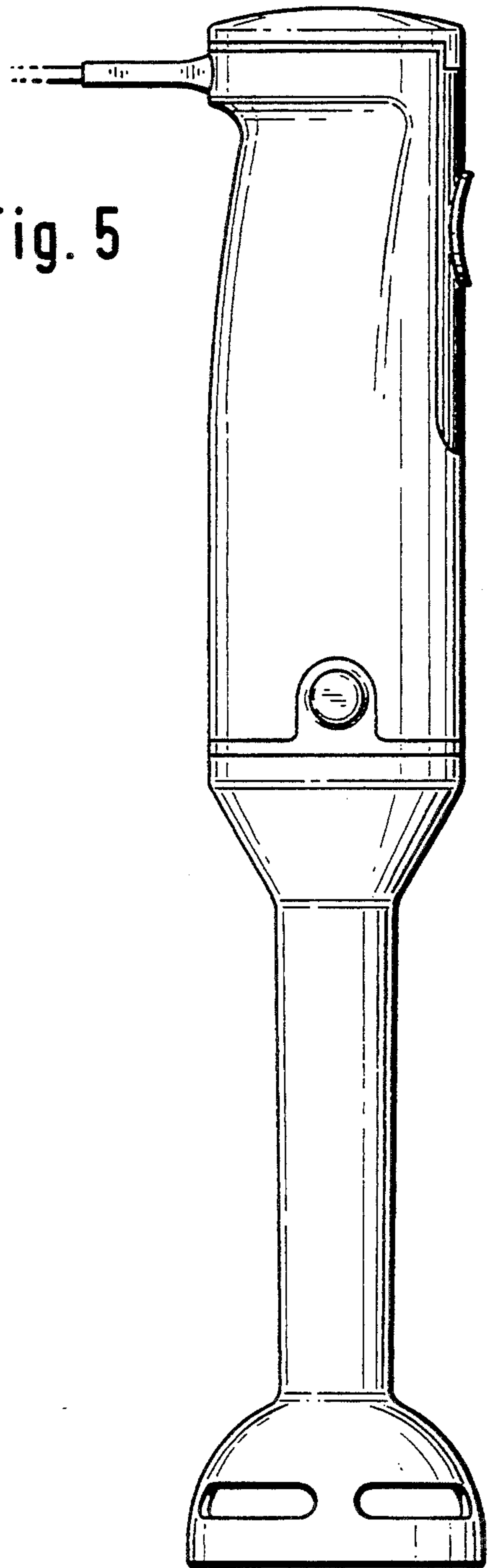


Fig. 7

