



US00D361240S

# United States Patent [19]

[11] Patent Number: **Des. 361,240**

**Hanig**

[45] Date of Patent: **\*\* Aug. 15, 1995**

[54] **MIXER WITH BASE STAND**

**DESCRIPTION**

[75] Inventor: **James L. Hanig**, Highland Park, Ill.

FIG. 1 is a front perspective view of a mixer with base stand showing my new design;

[73] Assignee: **Hanig & Company**, Lincolnwood, Ill.

FIG. 2 is a front perspective view of the mixer shown in FIG. 1 shown separately for ease of illustration;

[\*\*] Term: **14 Years**

FIG. 3 is a front elevational view of the mixer of FIG. 2;

[21] Appl. No.: **20,856**

FIG. 4 is a right side elevational view of the mixer of FIG. 2 which is also an identical mirror-image of the left side of the mixer;

[22] Filed: **Apr. 4, 1994**

[52] U.S. Cl. .... **D7/376; D7/379**

FIG. 5 is a rear elevational view of the mirror of FIG. 2;

[58] Field of Search ..... **D7/376-380, D7/386; D28/58; 366/129, 130, 197, 199, 204, 205, 314, 344**

FIG. 6 is a top plan view of the mixer of FIG. 2;

FIG. 7 is a bottom plan view of the mixer of FIG. 2;

[56] **References Cited**

**U.S. PATENT DOCUMENTS**

- D. 288,892 3/1987 Osit ..... D7/412
- D. 291,767 9/1987 Osit ..... D7/376 X

FIG. 8 is a front perspective view of the base stand shown in FIG. 1 shown separately for ease of illustration;

FIG. 9 is a top plan view of the base stand of FIG. 8;

FIG. 10 is a front elevational view of the base stand of FIG. 8;

*Primary Examiner*—Alan P. Douglas

*Assistant Examiner*—Caron D. Veynar

*Attorney, Agent, or Firm*—Welsh & Katz, Ltd.

FIG. 11 is a rear elevational view of the base stand of FIG. 8;

FIG. 12 is a bottom plan view of the base stand of FIG. 8;

FIG. 13 is a left side elevational view of the base stand of FIG. 8; and,

[57] **CLAIM**

The ornamental design for a mixer with base stand, as shown and described.

FIG. 14 is a right side elevational view of the base stand of FIG. 8.

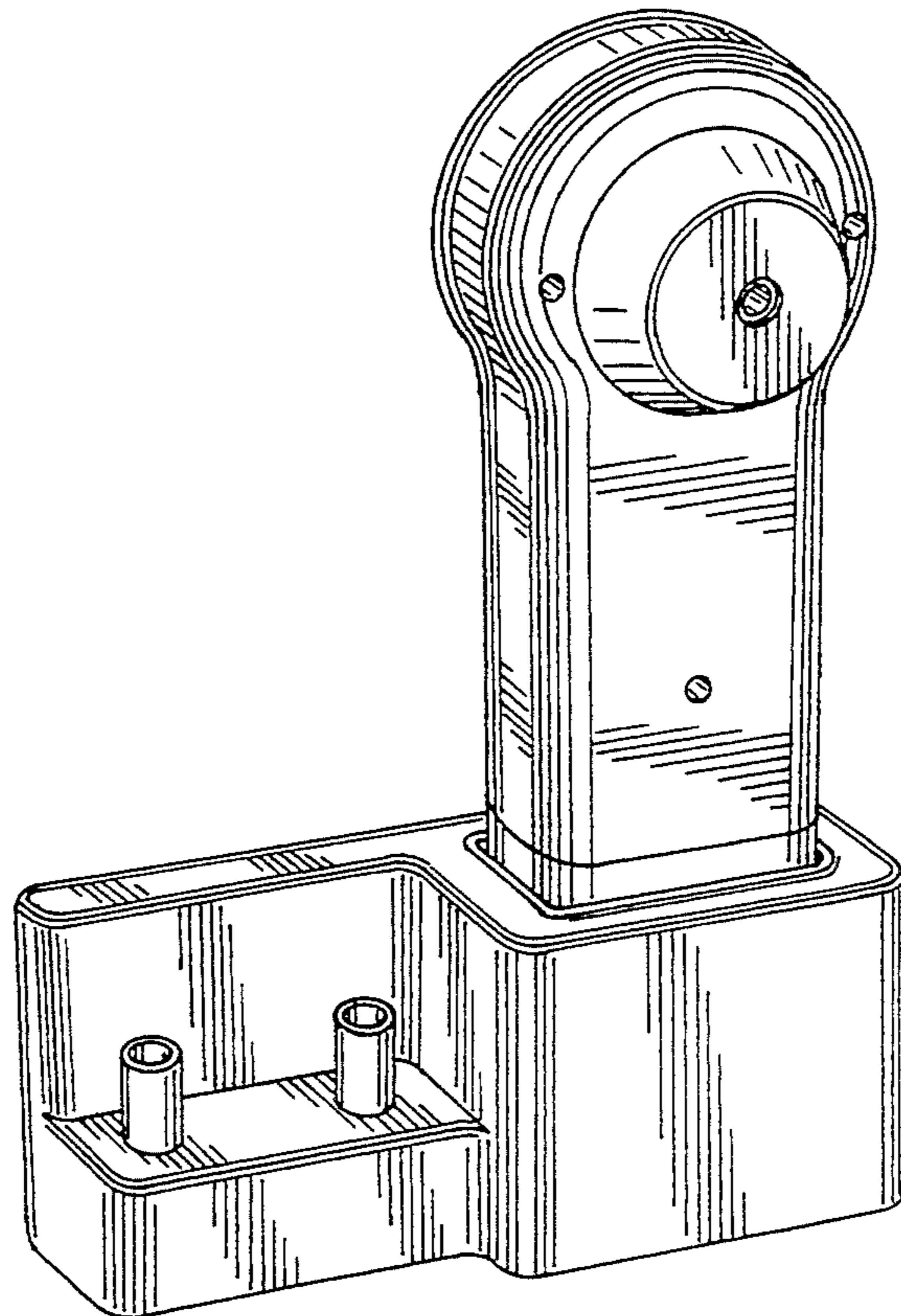


FIG. 1

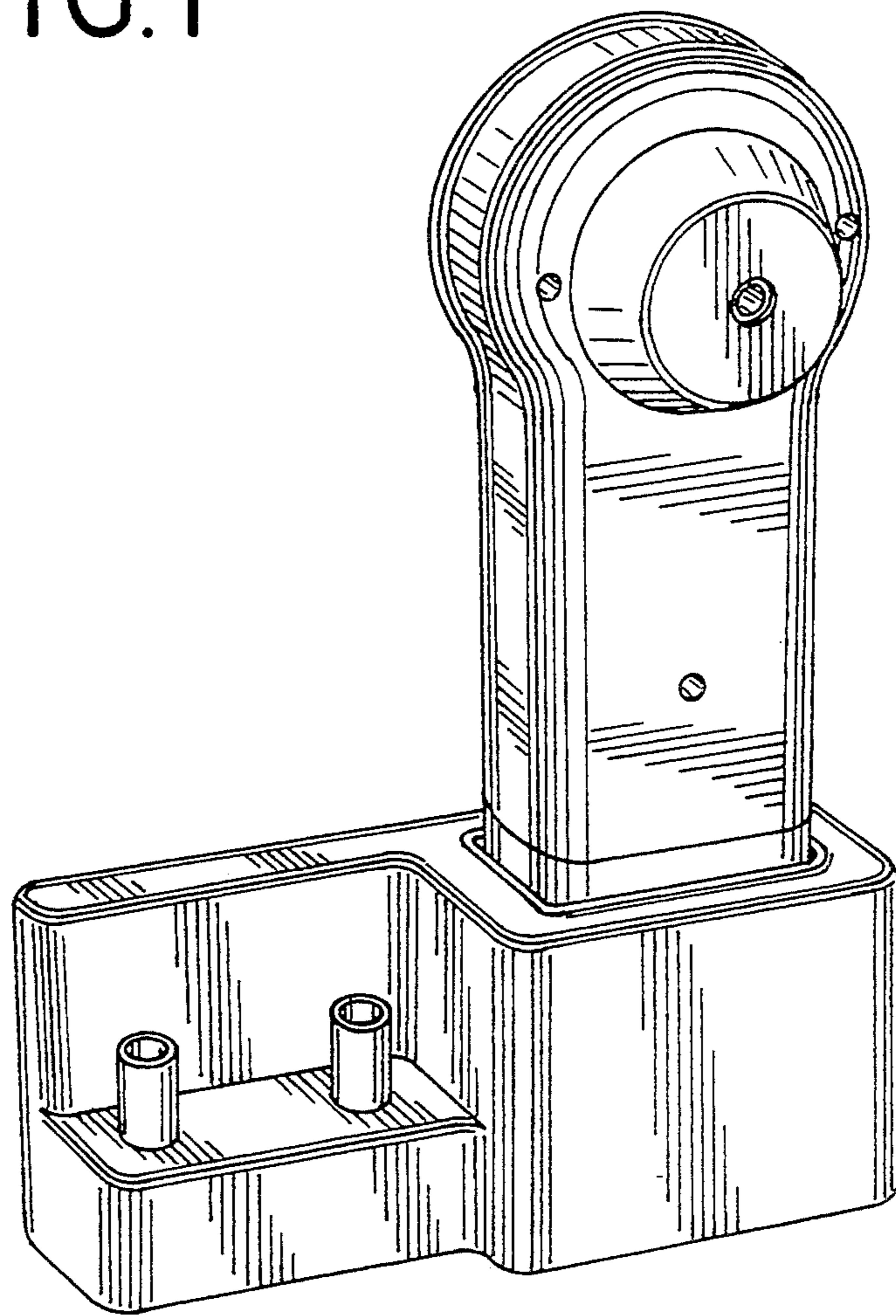


FIG. 6

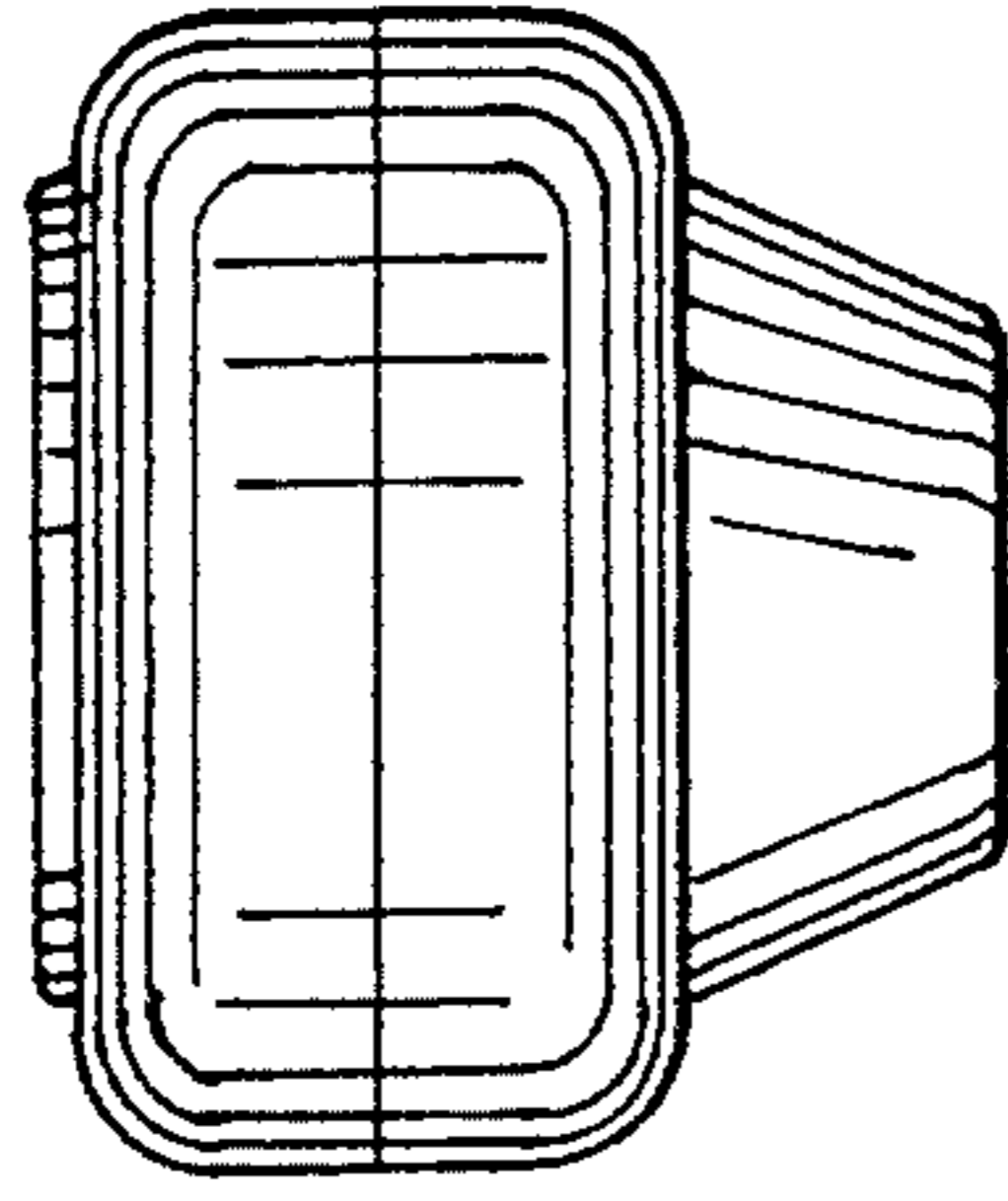


FIG. 7

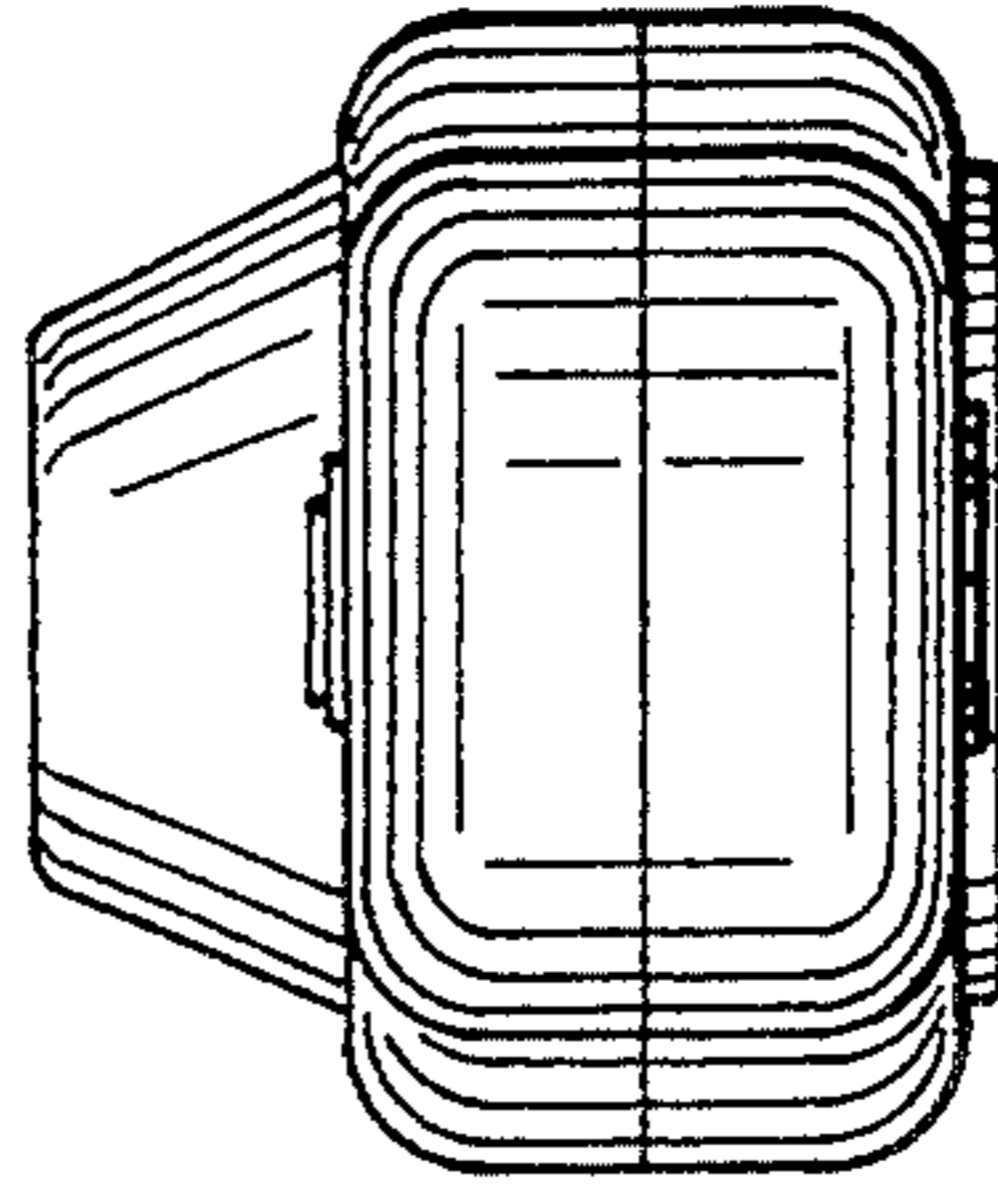


FIG. 5

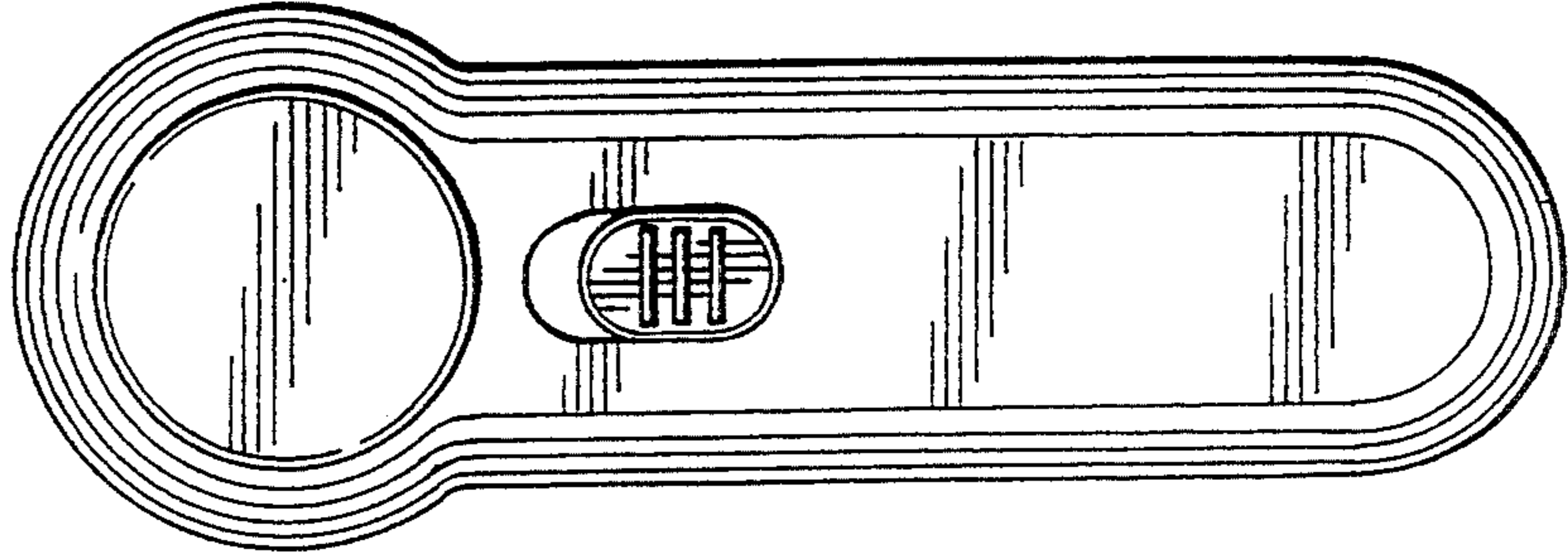


FIG. 4

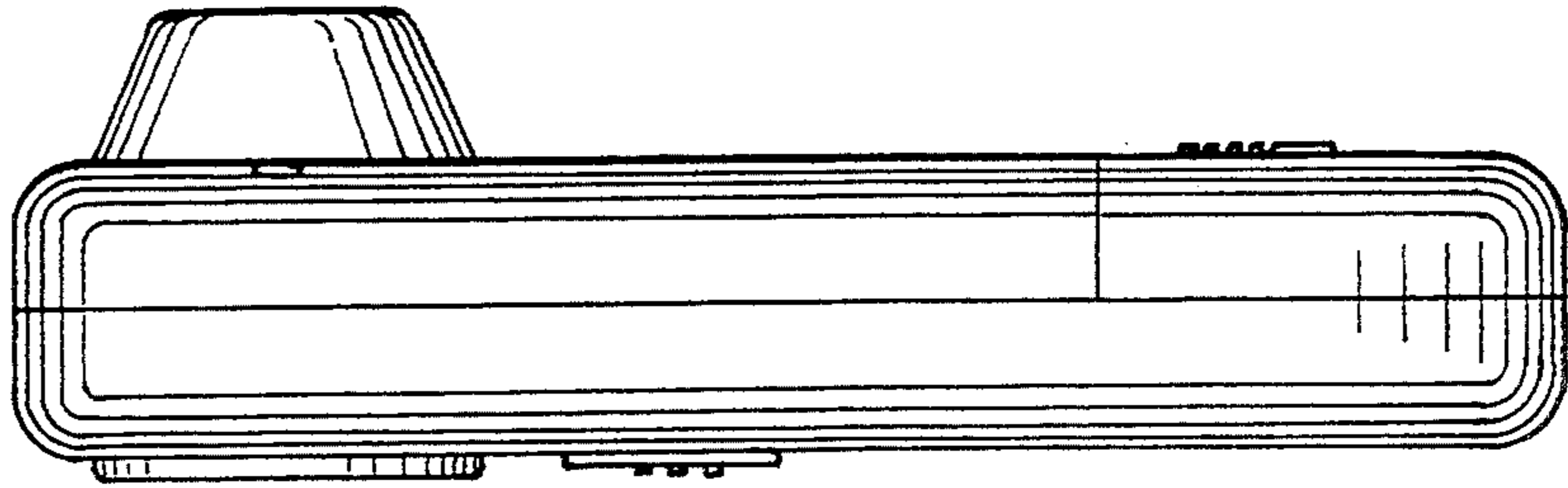


FIG. 3

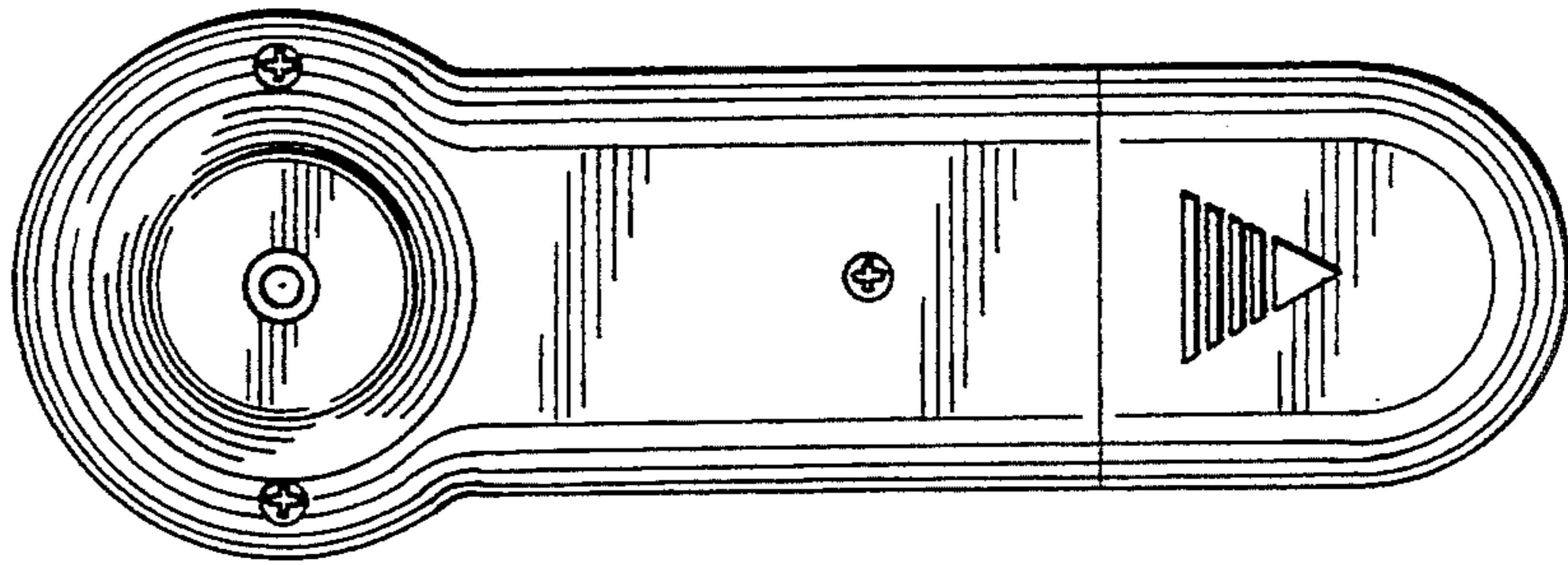


FIG. 2

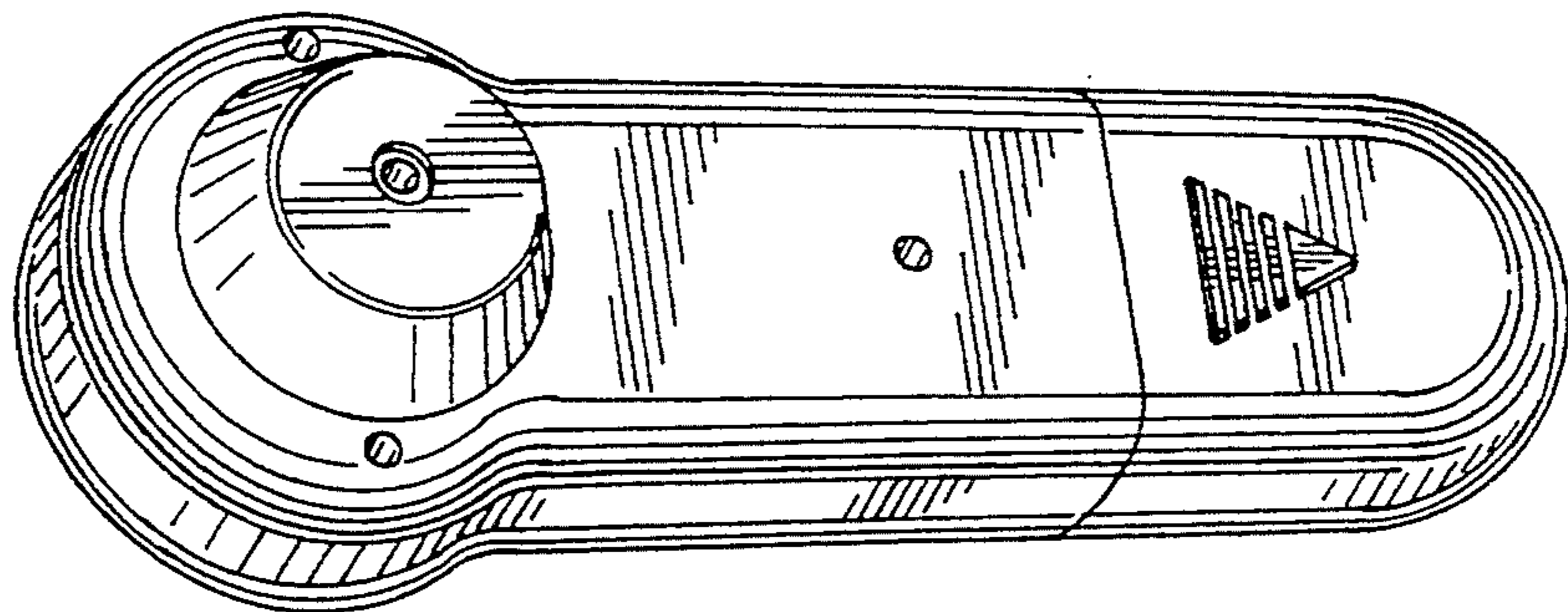


FIG. 9

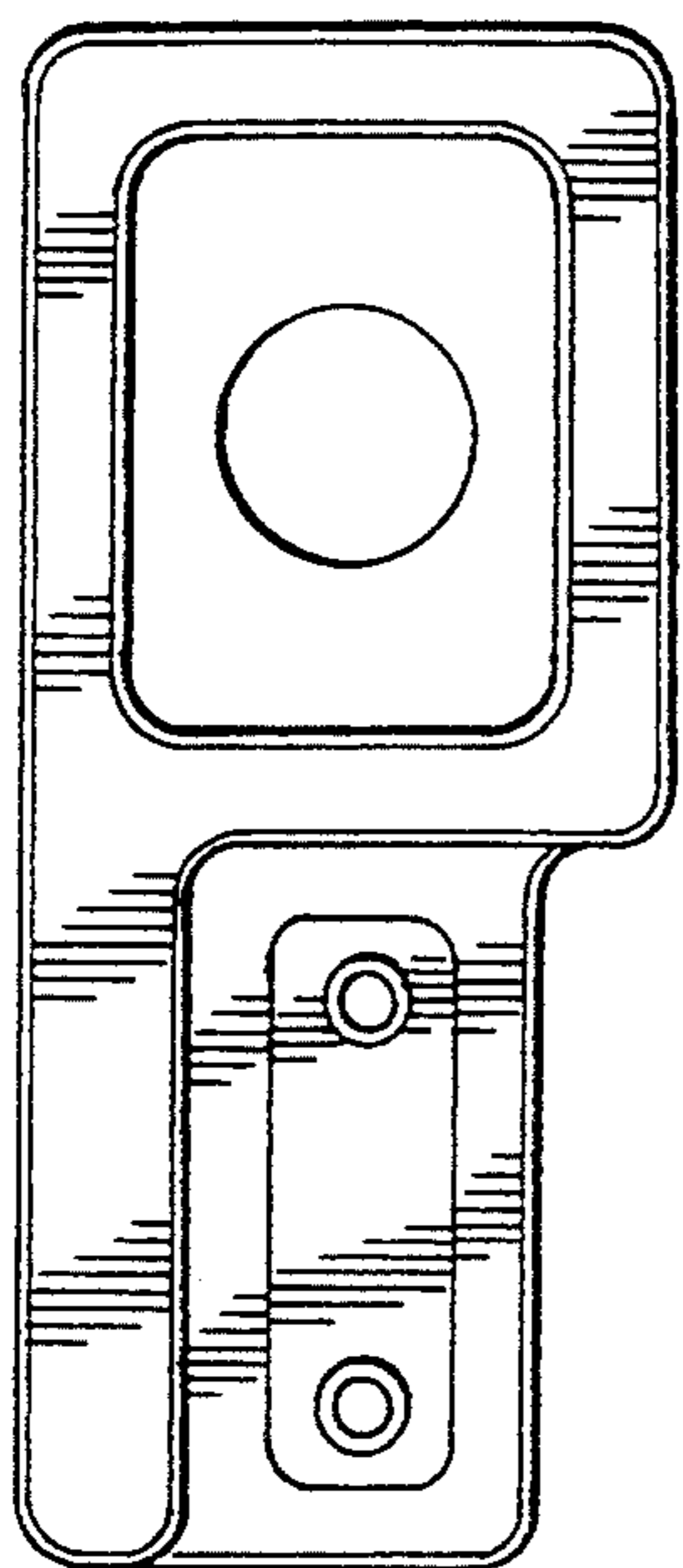


FIG. 13

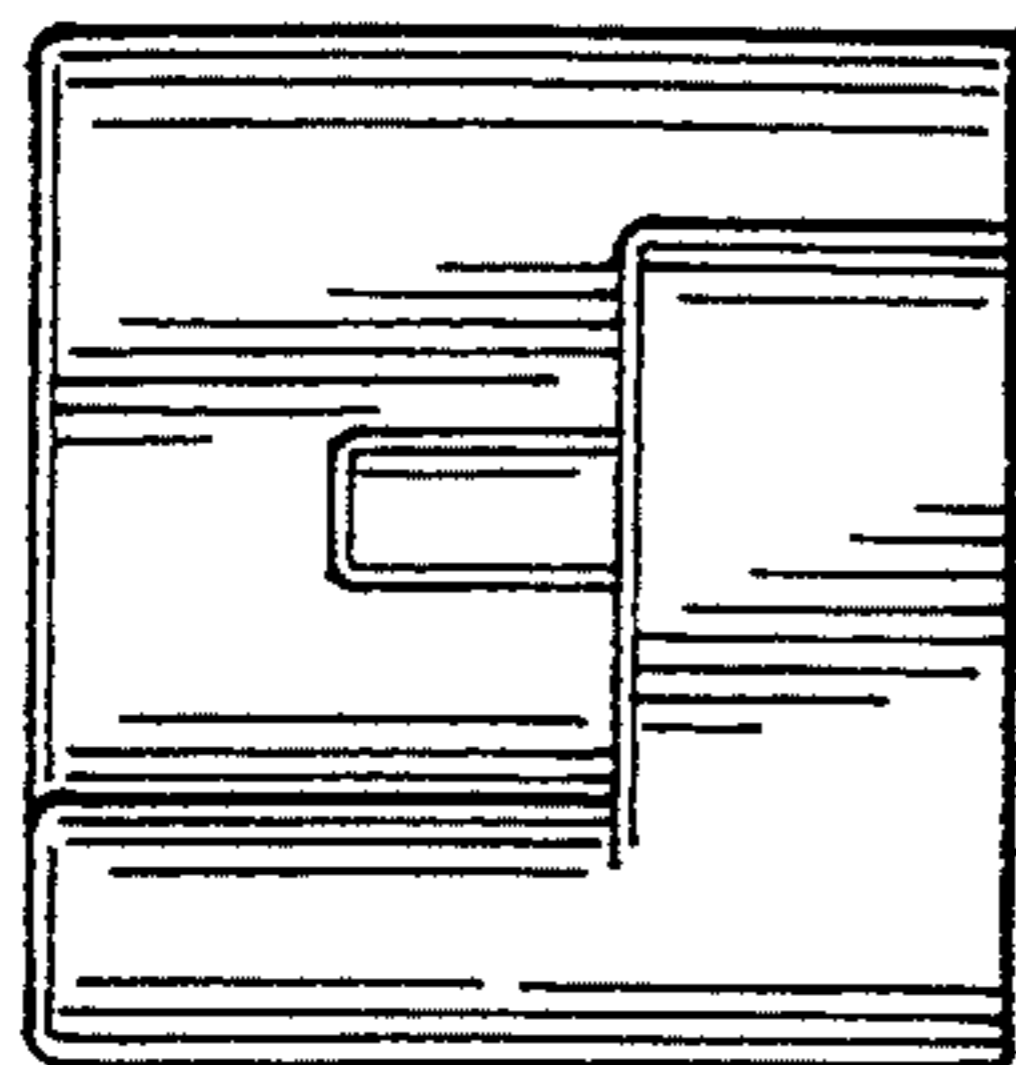


FIG. 8

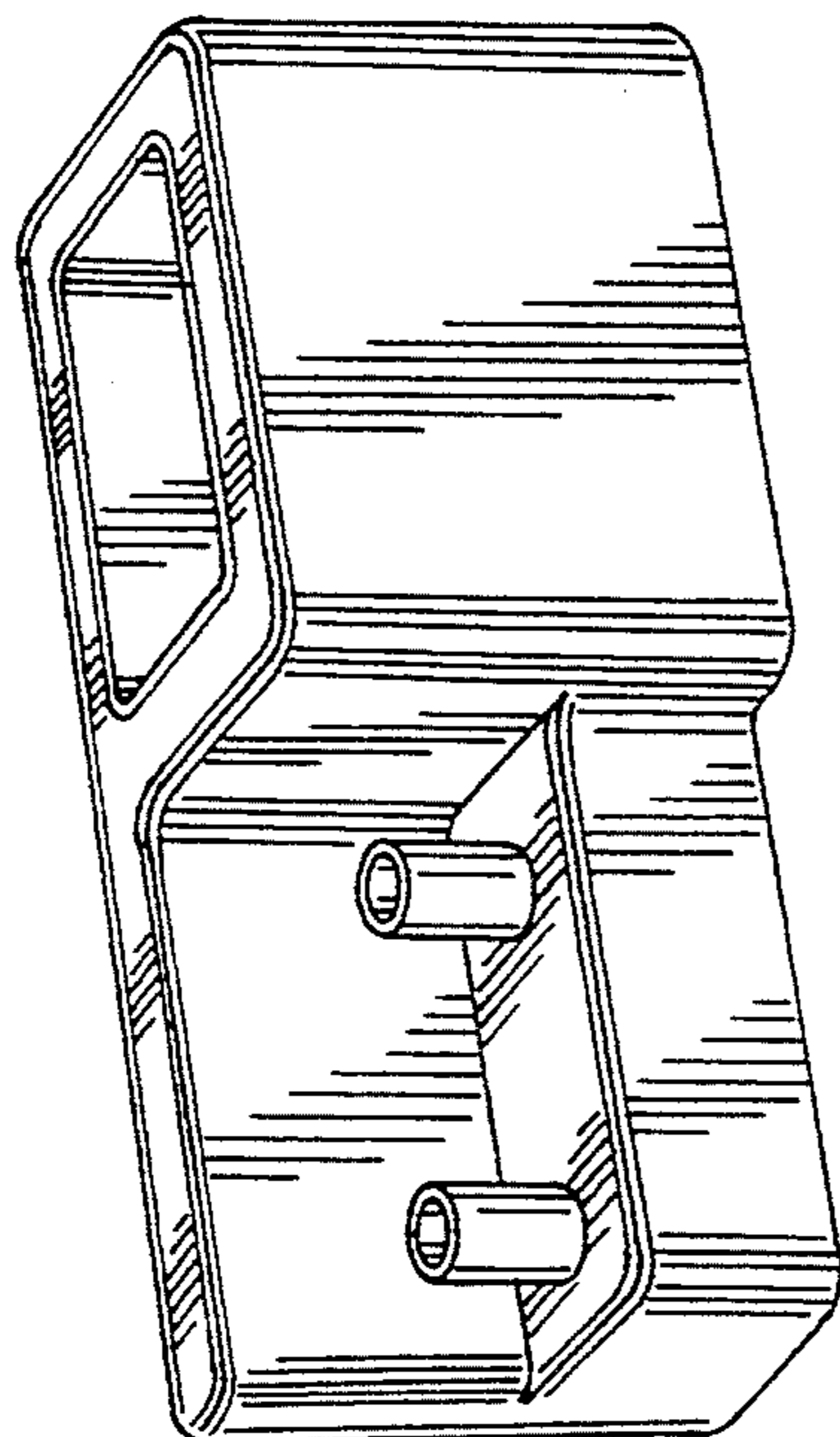


FIG. 10

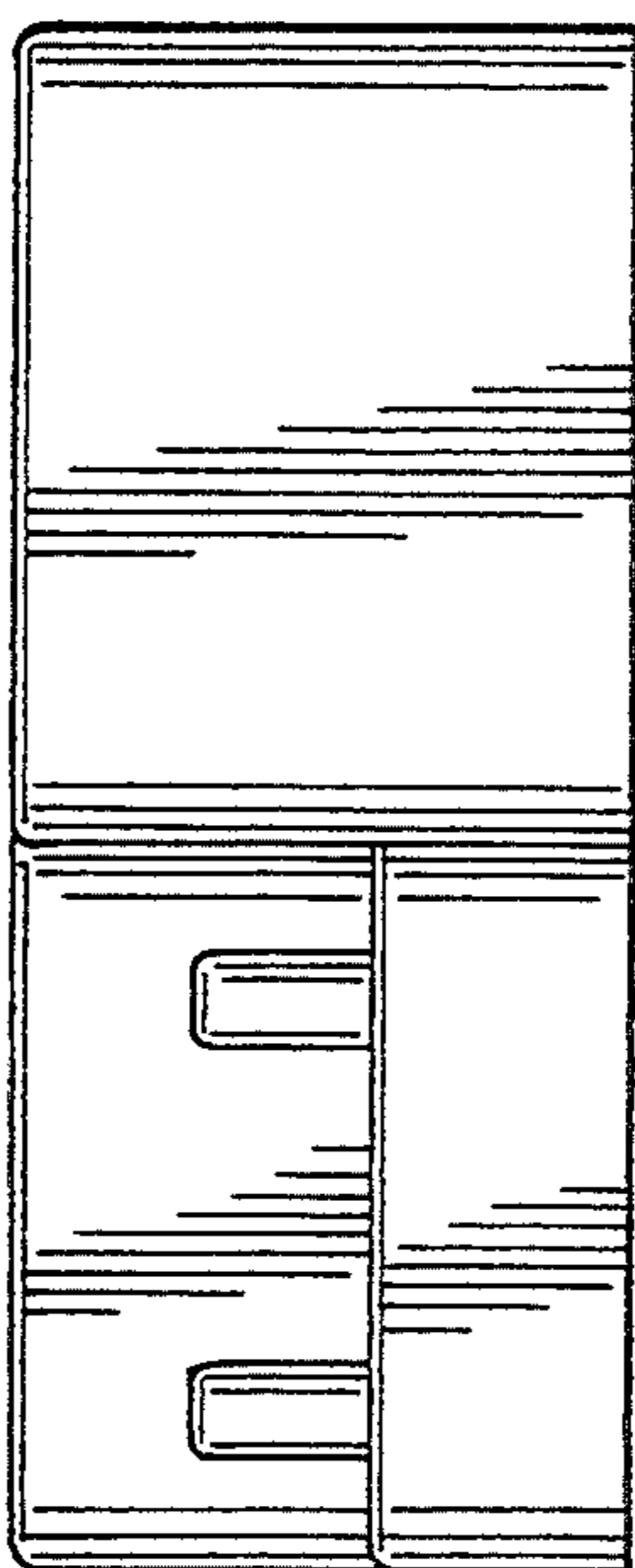


FIG. 11

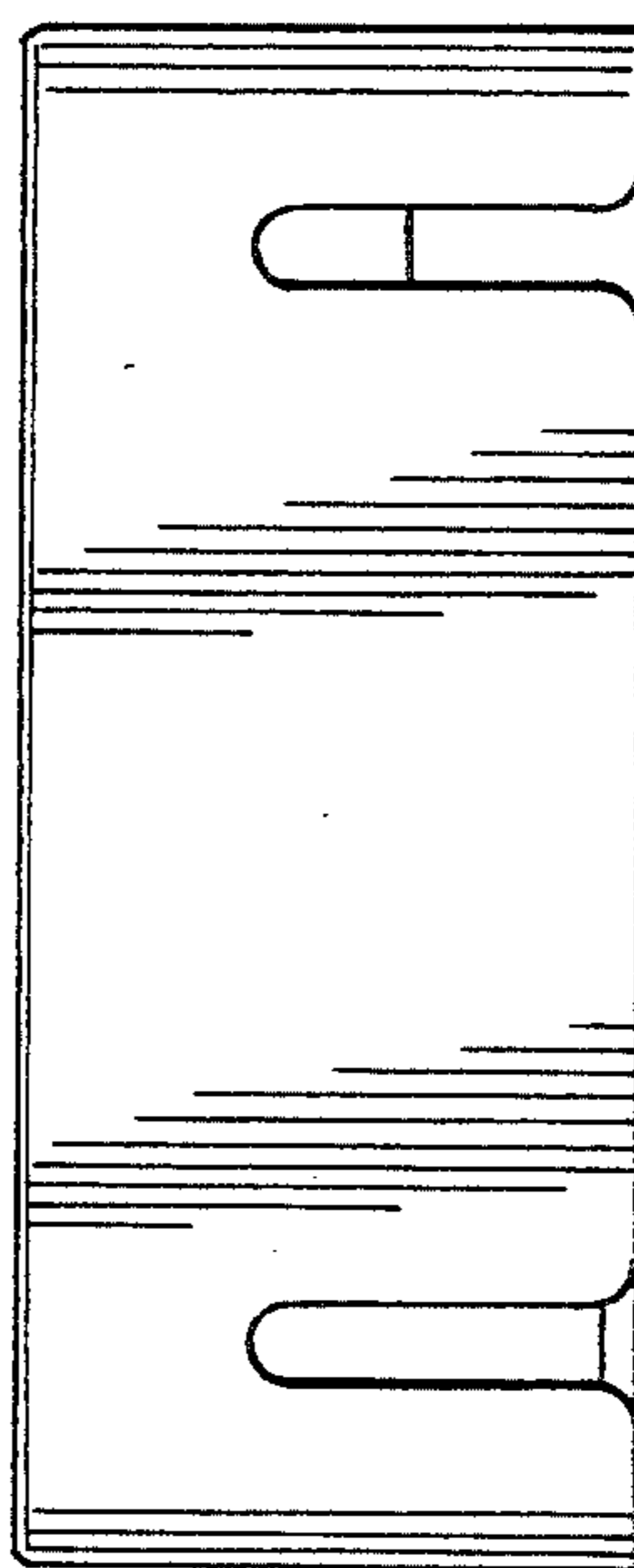


FIG. 14

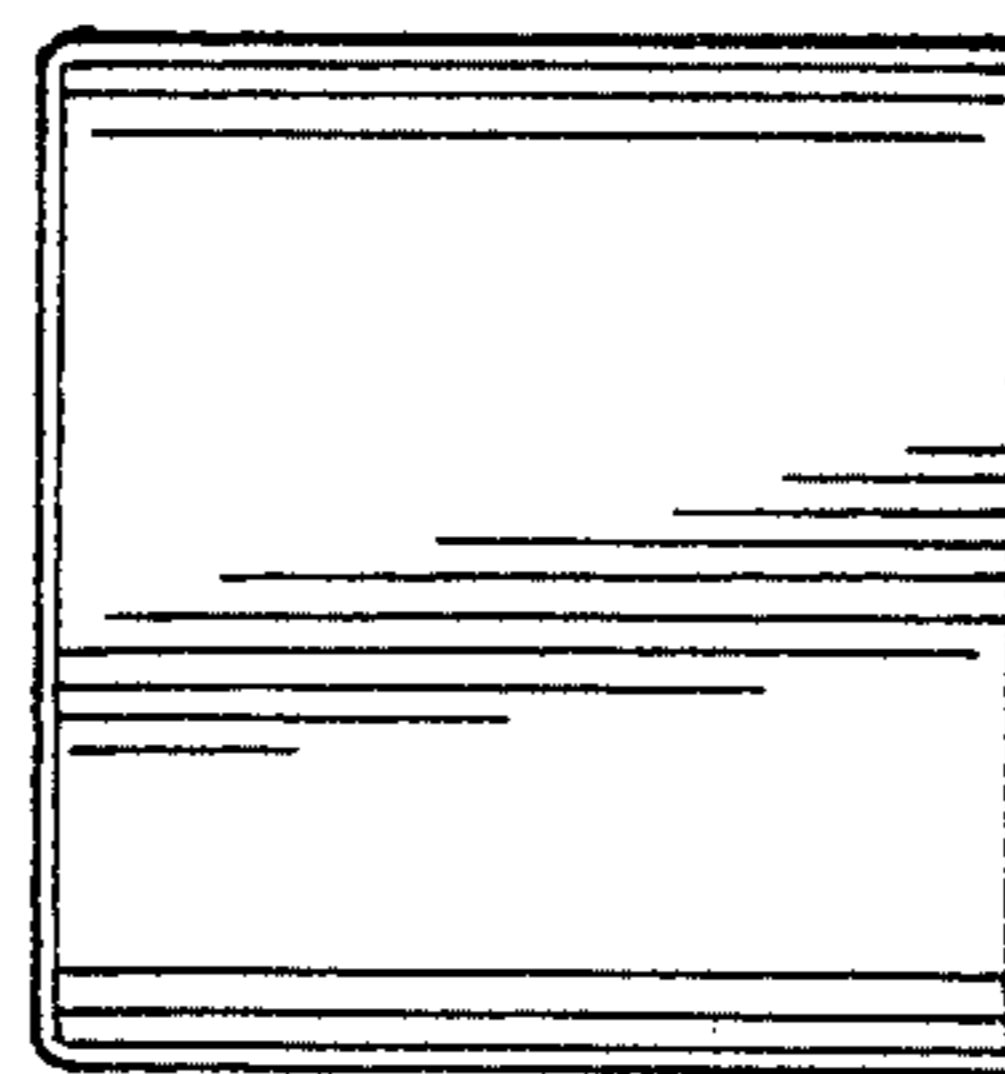


FIG. 12

