



US00D361238S

# United States Patent [19]

[11] Patent Number: **Des. 361,238**

**Richards et al.**

[45] Date of Patent: **\*\* Aug. 15, 1995**

[54] WINDOW SILL EXTENSION

[76] Inventors: **Thomas F. Richards**, 15 Amherst St.,  
Milford, N.H. 03055; **Brian W.  
Buzzell**, P.O. Box 651, Milford, N.H.  
03055-0651

2,085,290 6/1937 Black et al. .  
2,966,272 12/1960 MacKenzie .  
4,052,816 10/1977 Perez .  
4,932,538 6/1990 Gambello ..... 211/87

[\*\*] Term: **14 Years**

*Primary Examiner*—Brian N. Vinson  
*Attorney, Agent, or Firm*—Richard C. Litman

[21] Appl. No.: **20,564**

[57] **CLAIM**

[22] Filed: **Mar. 29, 1994**

The ornamental design for a window sill extension, as shown and described.

[52] U.S. Cl. .... **D6/574**

### DESCRIPTION

[58] Field of Search ..... D6/512, 514, 567, 574,  
D6/509, 511; 108/42, 47; 211/86-88, 90, 126,  
134; 47/40

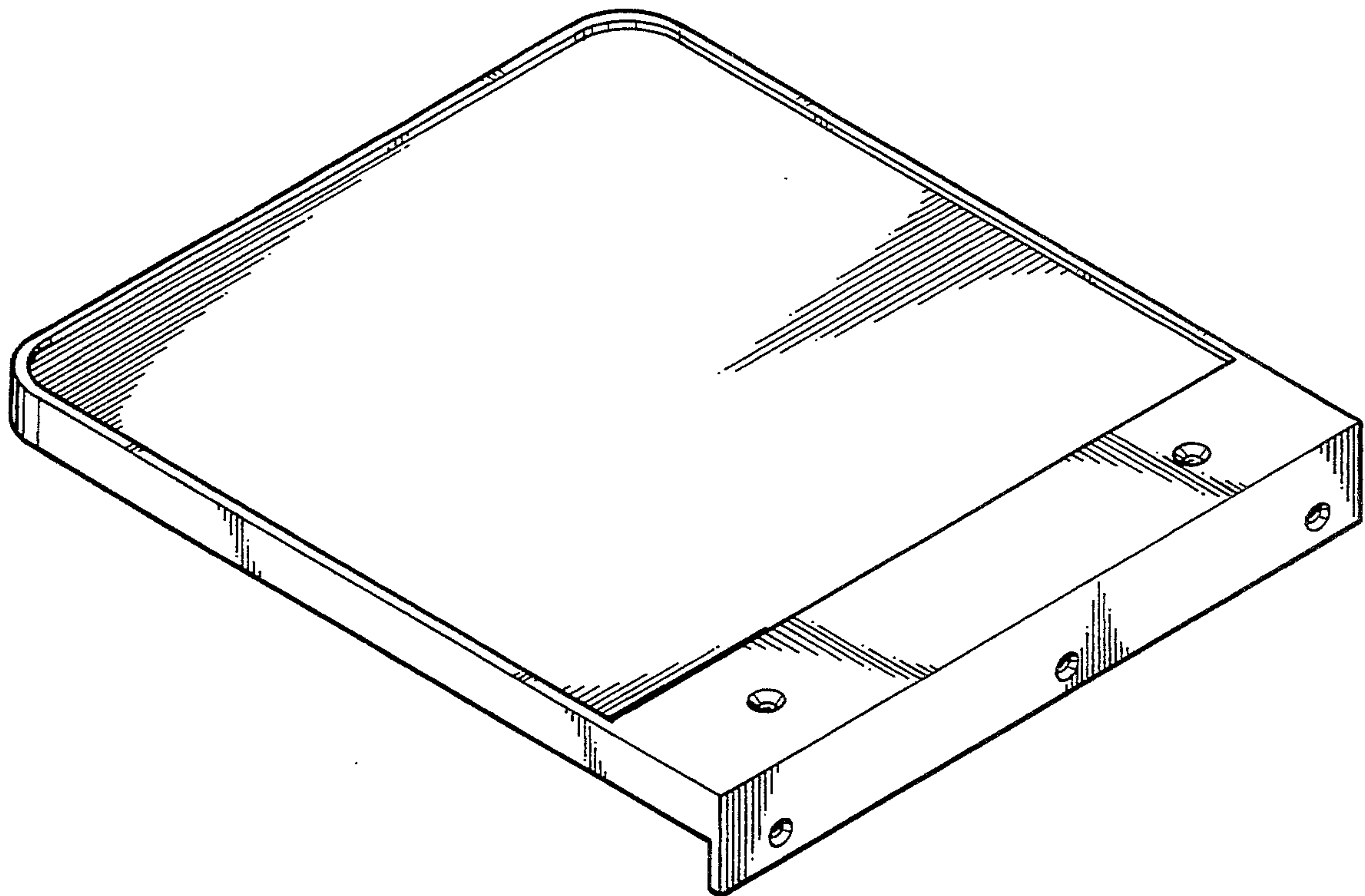
FIG. 1 is a perspective view of a window sill extension showing my new design;  
FIG. 2 is a front elevational view thereof;  
FIG. 3 is a top view thereof;  
FIG. 4 is a left side elevational view with the right side being a mirror image thereof;  
FIG. 5 is a rear view thereof; and,  
FIG. 6 is a bottom view thereof.

### [56] References Cited

#### U.S. PATENT DOCUMENTS

- D. 318,390 7/1991 Murray ..... D6/574 X
- D. 323,091 1/1992 Boschetto ..... D6/574
- D. 355,990 3/1995 Vincelli ..... D6/574 X
- 461,078 10/1891 Goebel et al. .
- 477,355 6/1892 Curtis et al. .
- 1,343,568 6/1920 Leitch .
- 2,063,289 12/1936 Alusas .

The broken line showing of a portion of a window sill in FIGS. 2 and 4, a pot and plant in FIG. 2, and a fastener in FIG. 4 is for illustrative purposes only and forms no part of the claimed design.



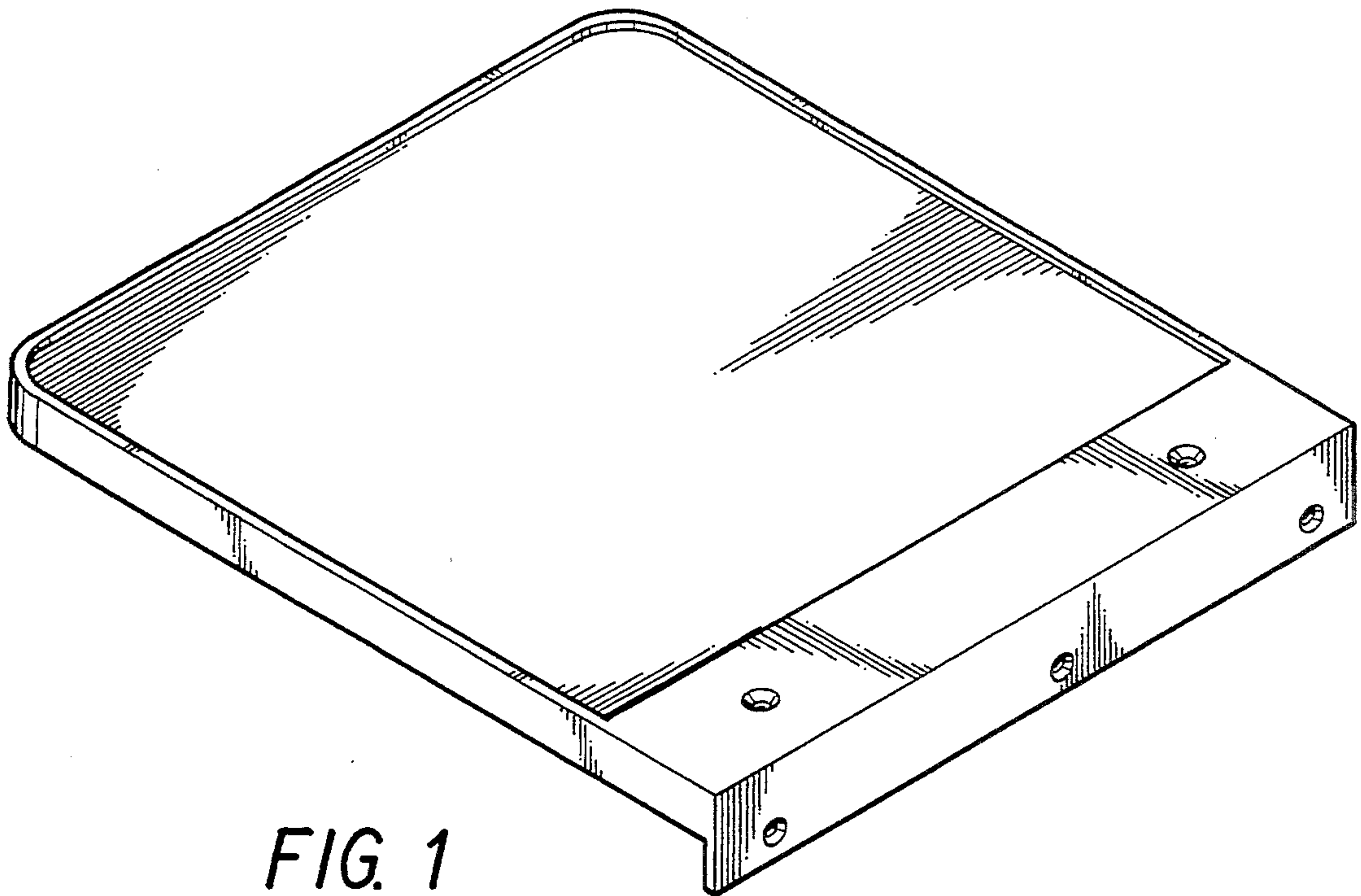


FIG. 1

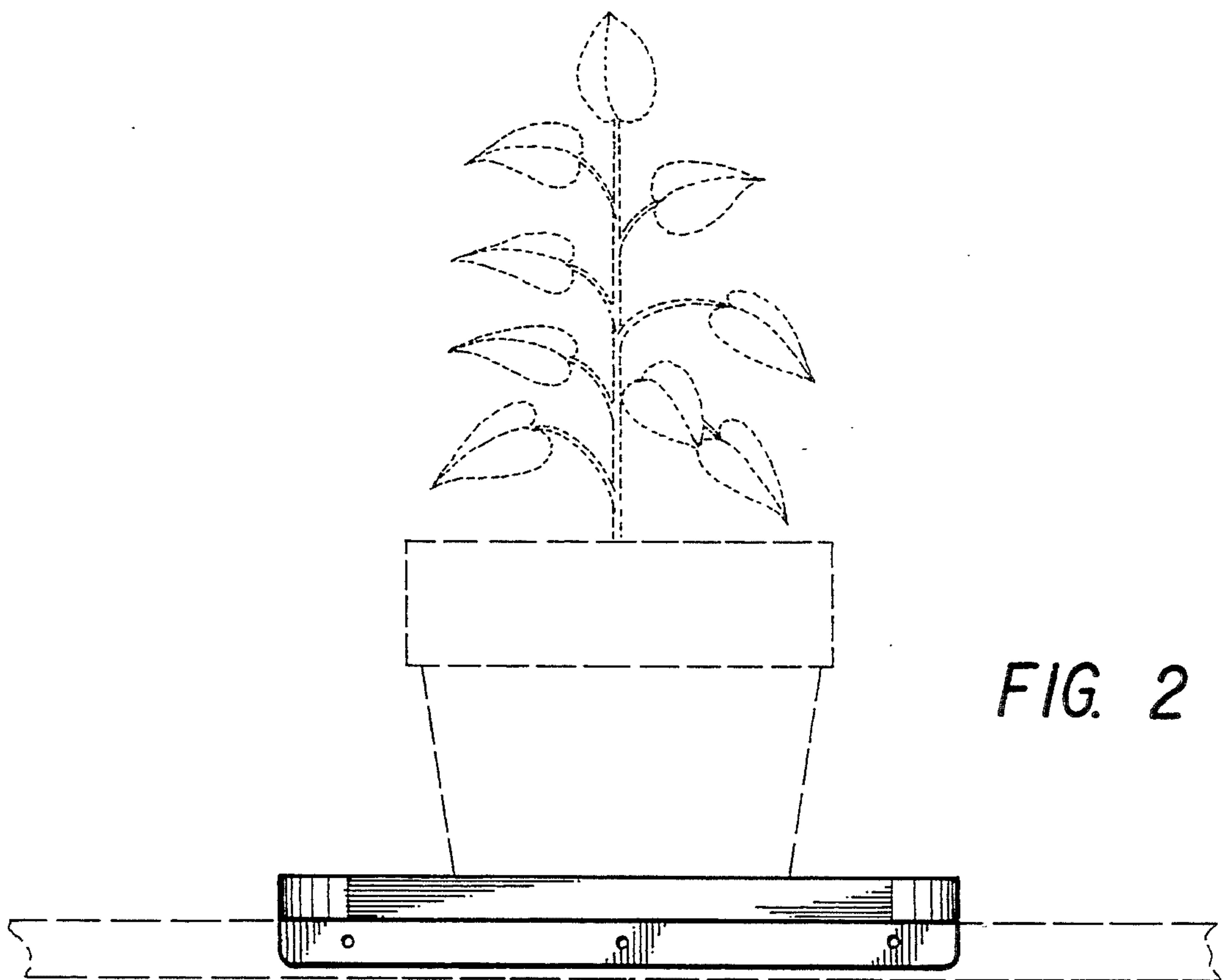


FIG. 2

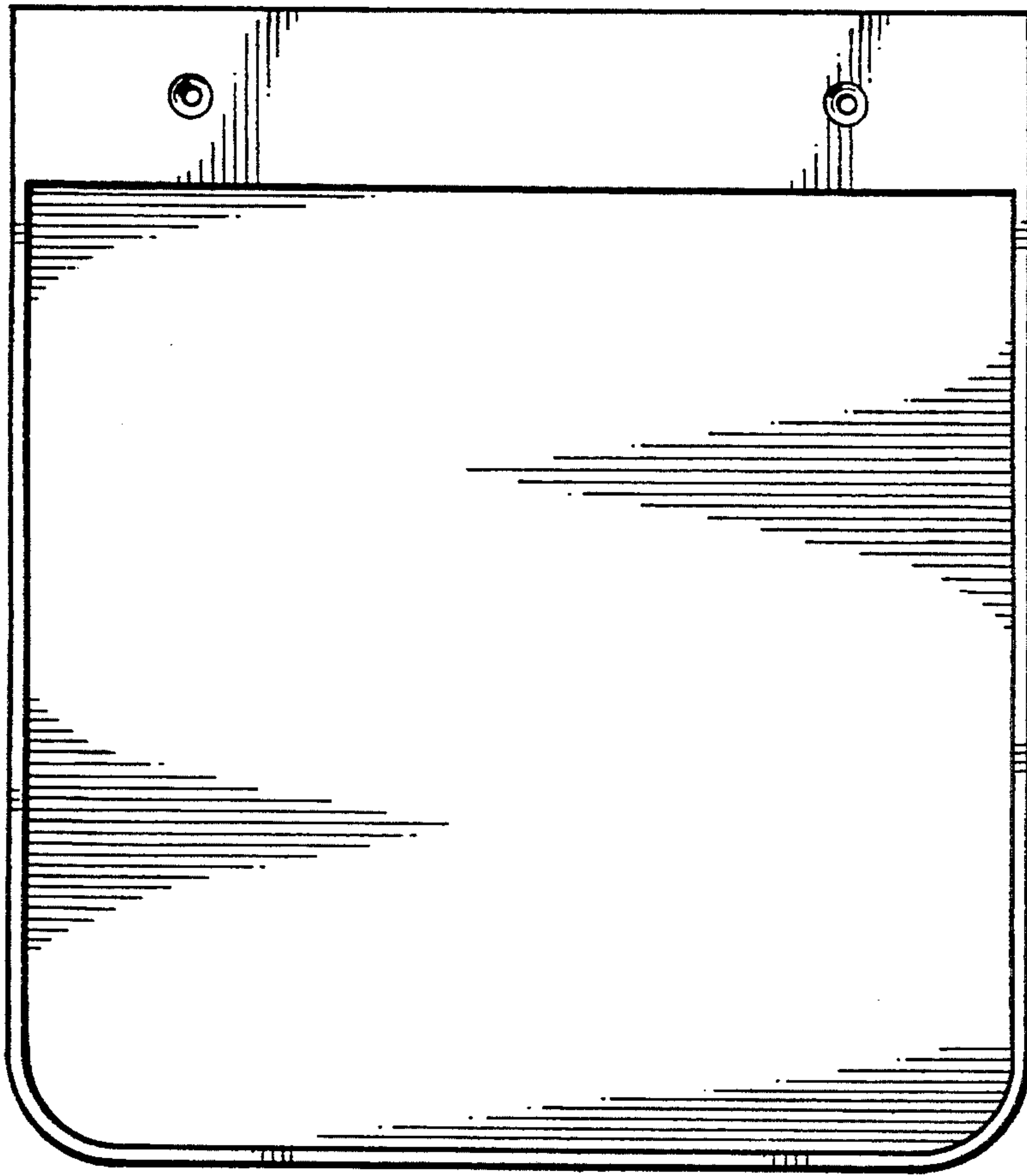


FIG. 3

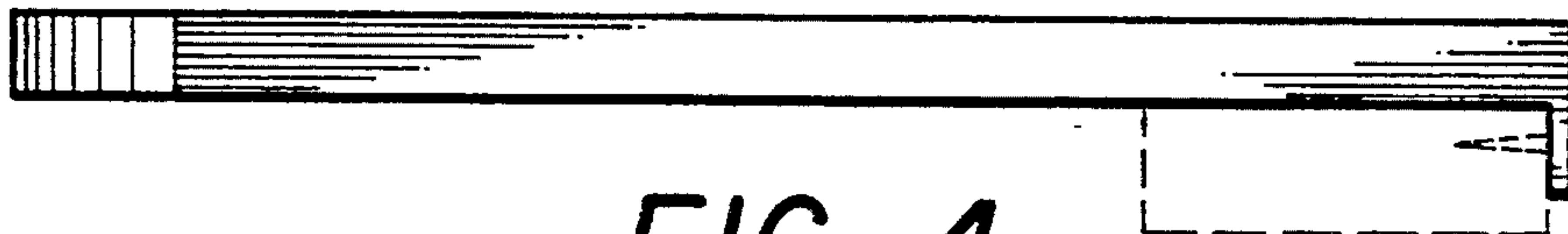


FIG. 4

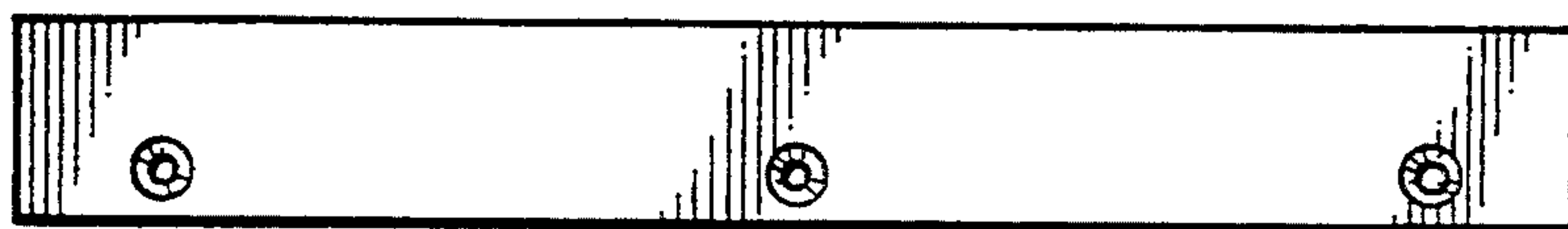


FIG. 5

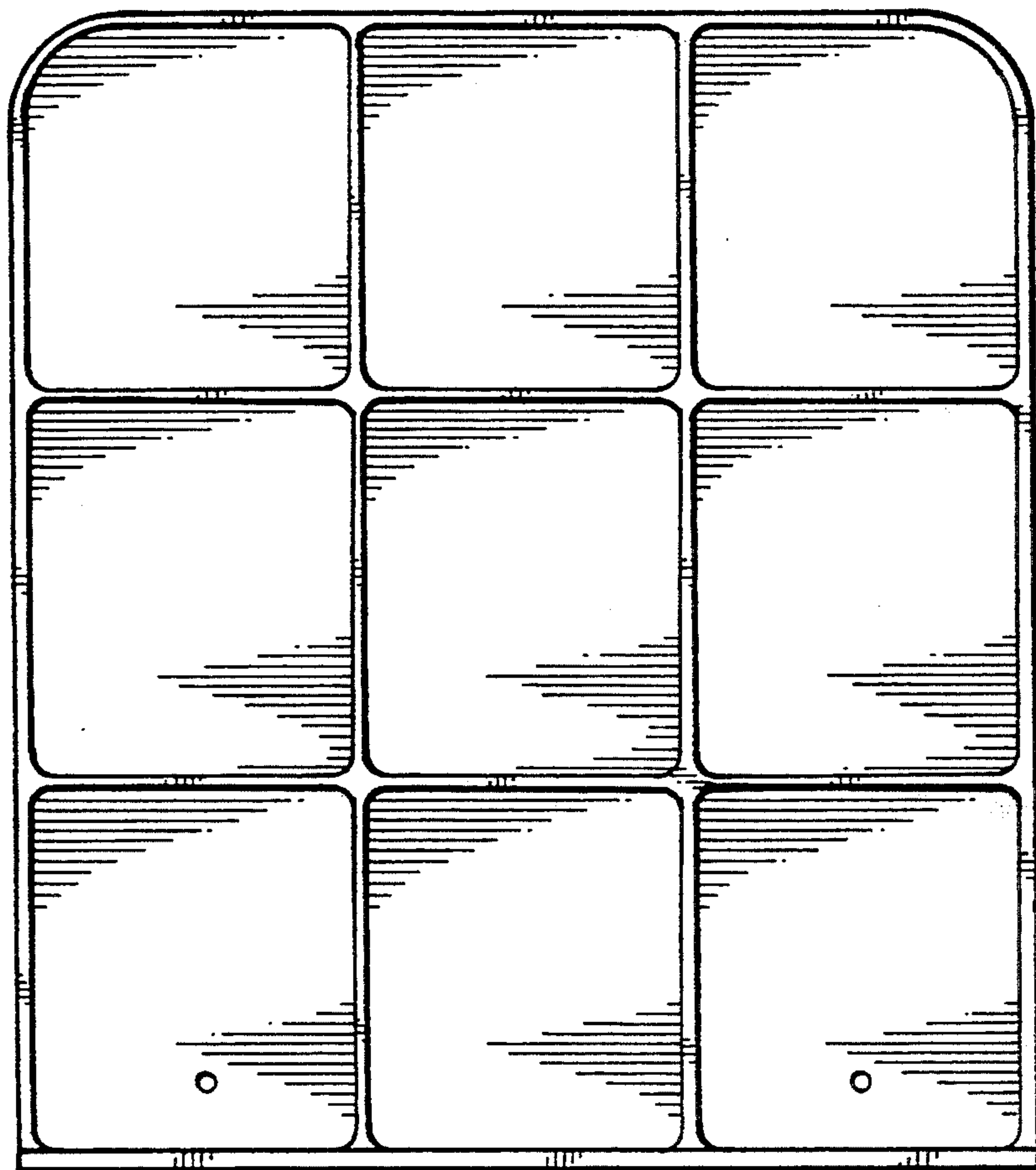


FIG. 6