



US00D361230S

United States Patent [19]

[11] Patent Number: **Des. 361,230**

Vignelli et al.

[45] Date of Patent: **** Aug. 15, 1995**

[54] **TABLE**

[75] Inventors: **Massimo Vignelli; Lella Vignelli,**
both of New York; **David B. Law,**
Brooklyn, all of N.Y.

[73] Assignee: **Westinghouse Elec. Corp.,**
Pittsburgh, Pa.

[**] Term: **14 Years**

[21] Appl. No.: **20,312**

[22] Filed: **Mar. 22, 1994**

[52] U.S. Cl. **D6/487; D6/488**

[58] Field of Search **D6/480-489,**
D6/495-499; 108/153, 156, 157, 161; 248/188,
188.1

[56] **References Cited**

U.S. PATENT DOCUMENTS

- D. 168,333 12/1952 Coble D6/499
- D. 169,868 6/1953 Schwartz D6/484
- D. 325,834 5/1992 Fredrick D6/484 X

OTHER PUBLICATIONS

Furniture Forum, Table at top right.

Primary Examiner—Janice E. Seeger

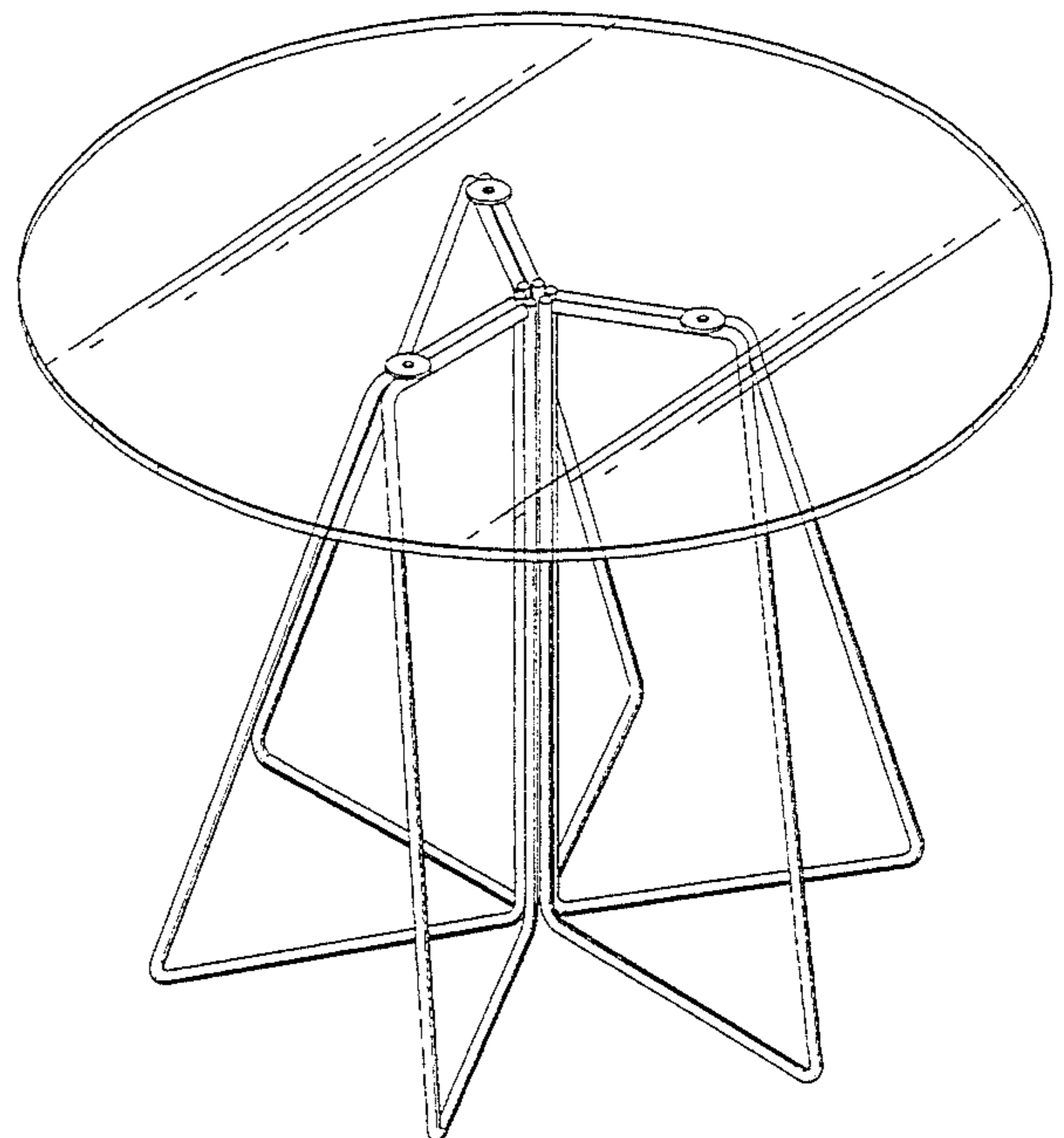
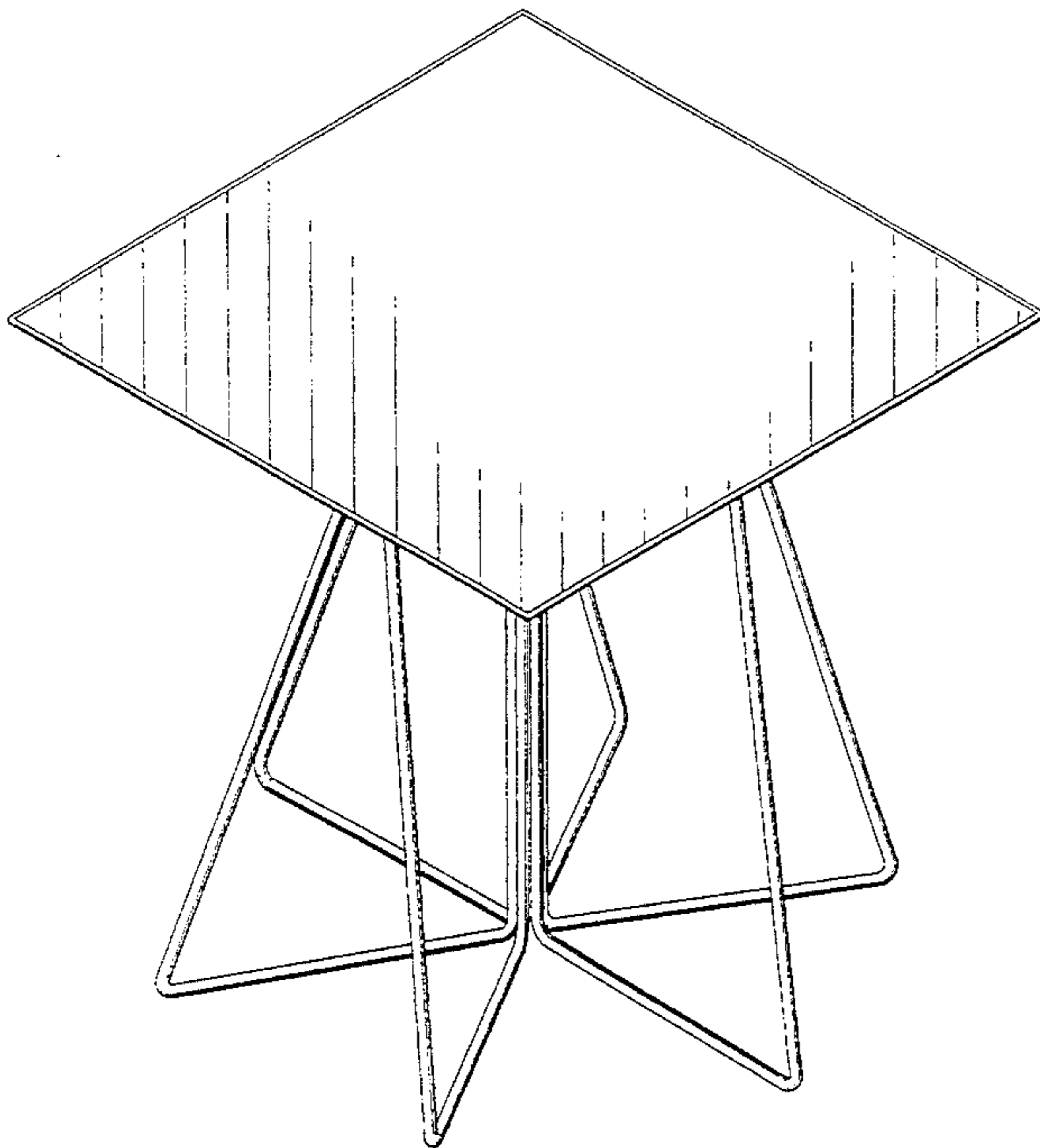
Attorney, Agent, or Firm—Carla J. Vrsansky

[57] **CLAIM**

The ornamental design for a table, as shown and described.

DESCRIPTION

FIG. 1 is a perspective view of a table showing our new design;
 FIG. 2 is a front elevational view thereof;
 FIG. 3 is a top plan view thereof;
 FIG. 4 is a rear elevational view thereof;
 FIG. 5 is a bottom plan view thereof;
 FIG. 6 is a right side elevational view thereof;
 FIG. 7 is a left side elevational view thereof;
 FIG. 8 is a perspective view of an alternate embodiment of our new design;
 FIG. 9 is a front elevational view thereof;
 FIG. 10 is a top plan view thereof;
 FIG. 11 is a rear elevational view thereof;
 FIG. 12 is a bottom plan view thereof;
 FIG. 13 is a right side elevational view thereof;
 FIG. 14 is a left side elevational view thereof;
 FIG. 15 is a perspective view of a second alternate embodiment of our new design;
 FIG. 16 is a front elevational view thereof;
 FIG. 17 is a top plan view thereof;
 FIG. 18 is a rear elevational view thereof;
 FIG. 19 is a bottom plan view thereof;
 FIG. 20 is a right side elevational view thereof; and,
 FIG. 21 is a left side elevational view thereof.



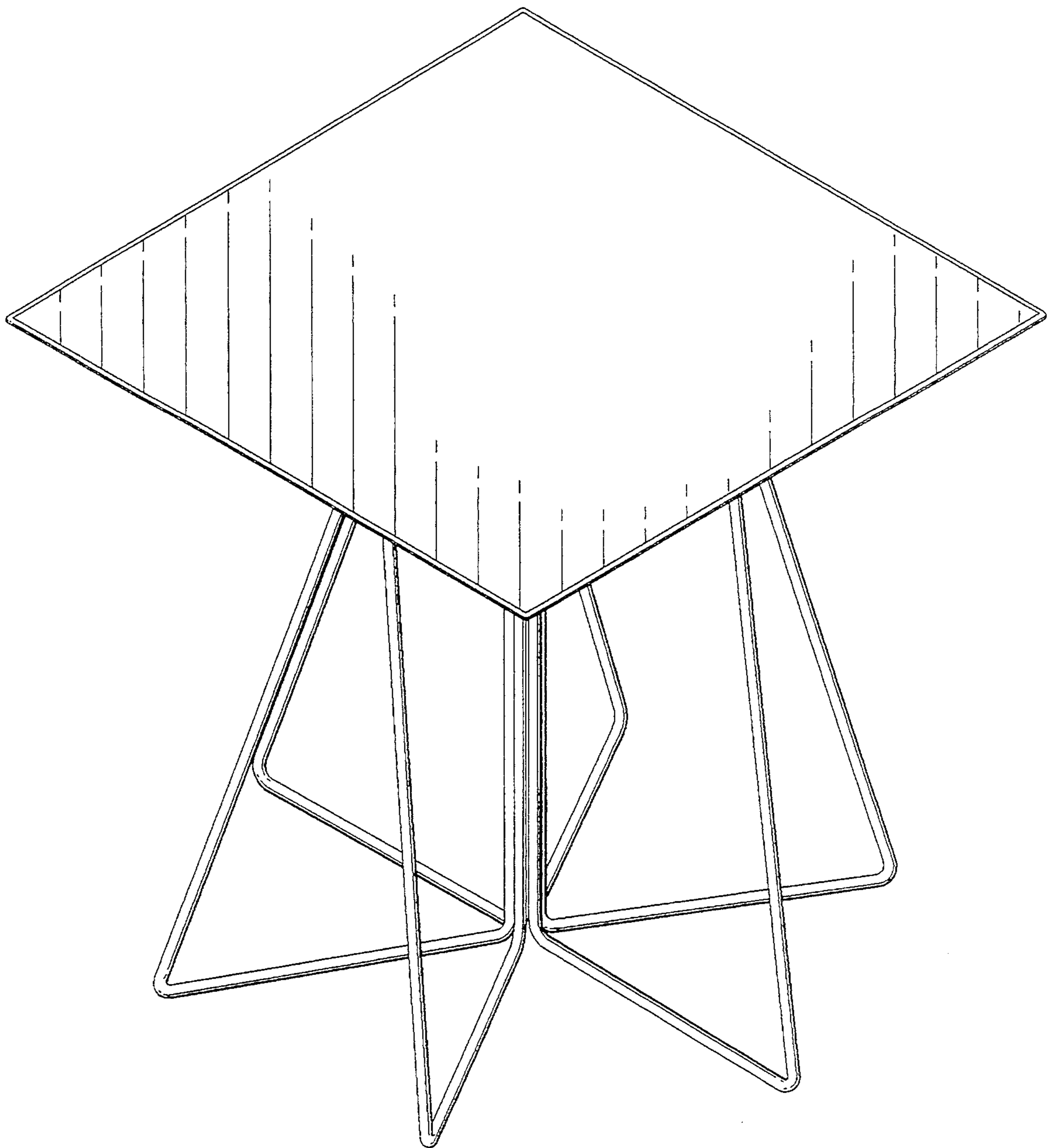


FIG. 1

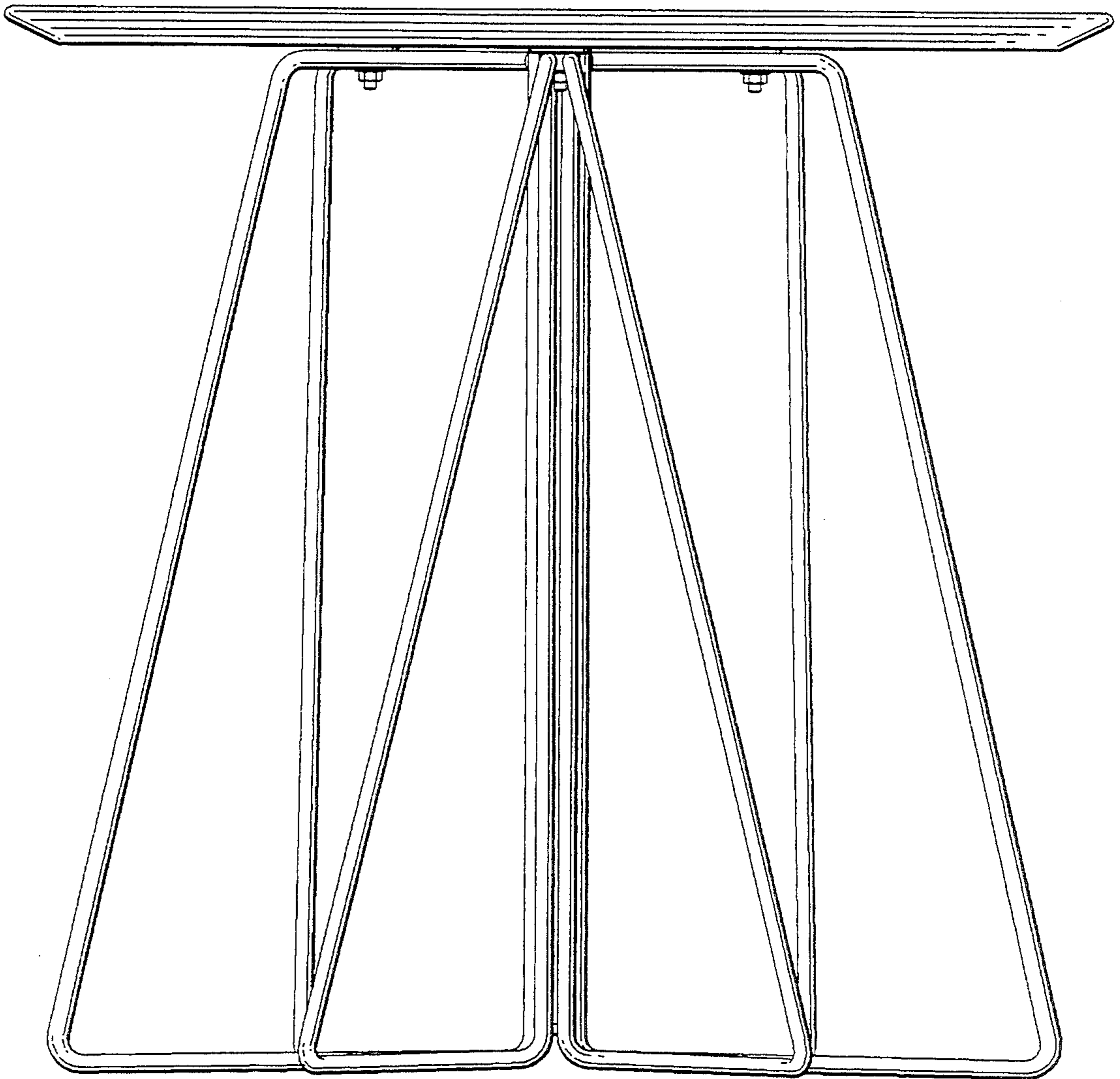


FIG. 2

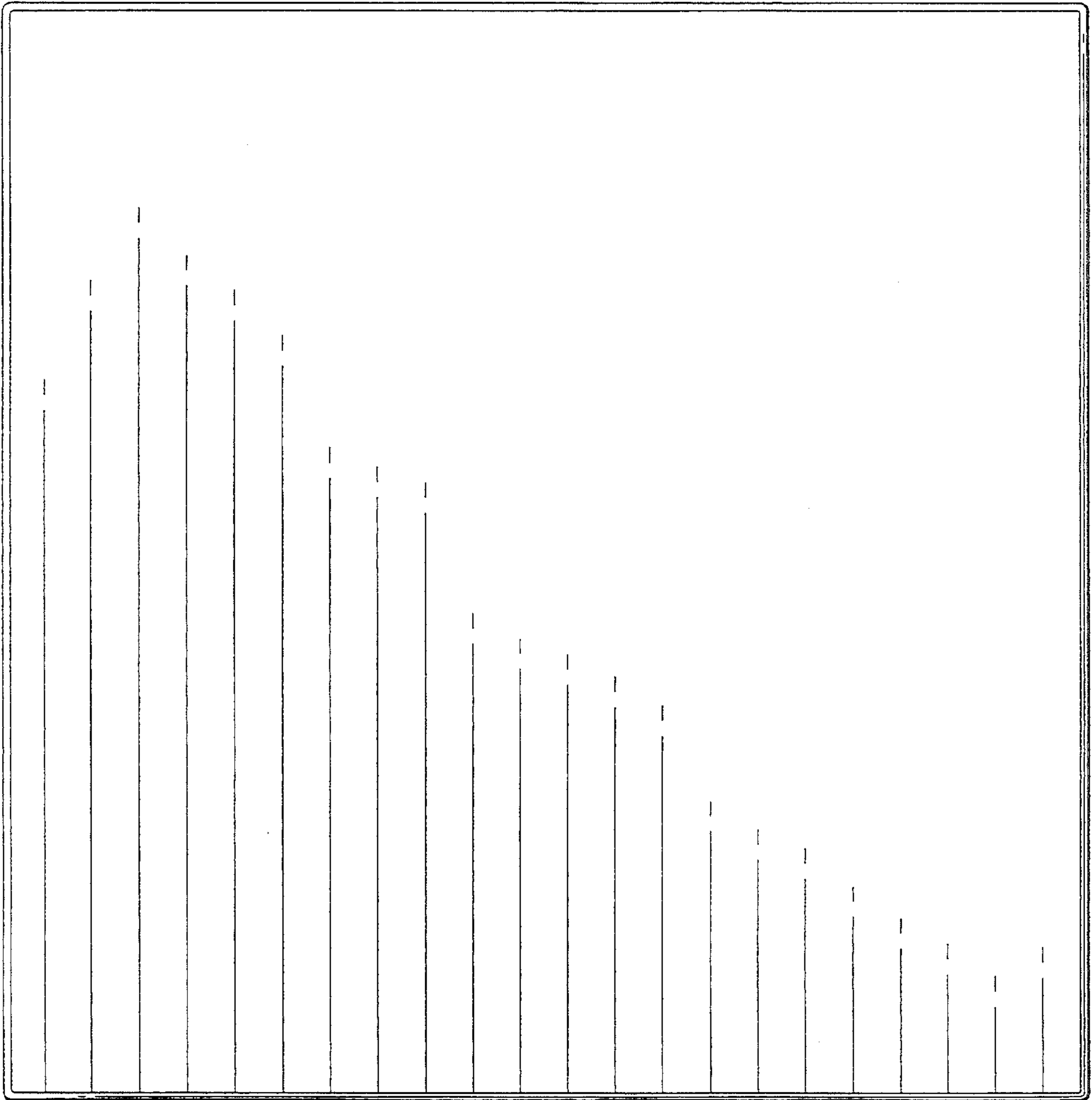


FIG. 3

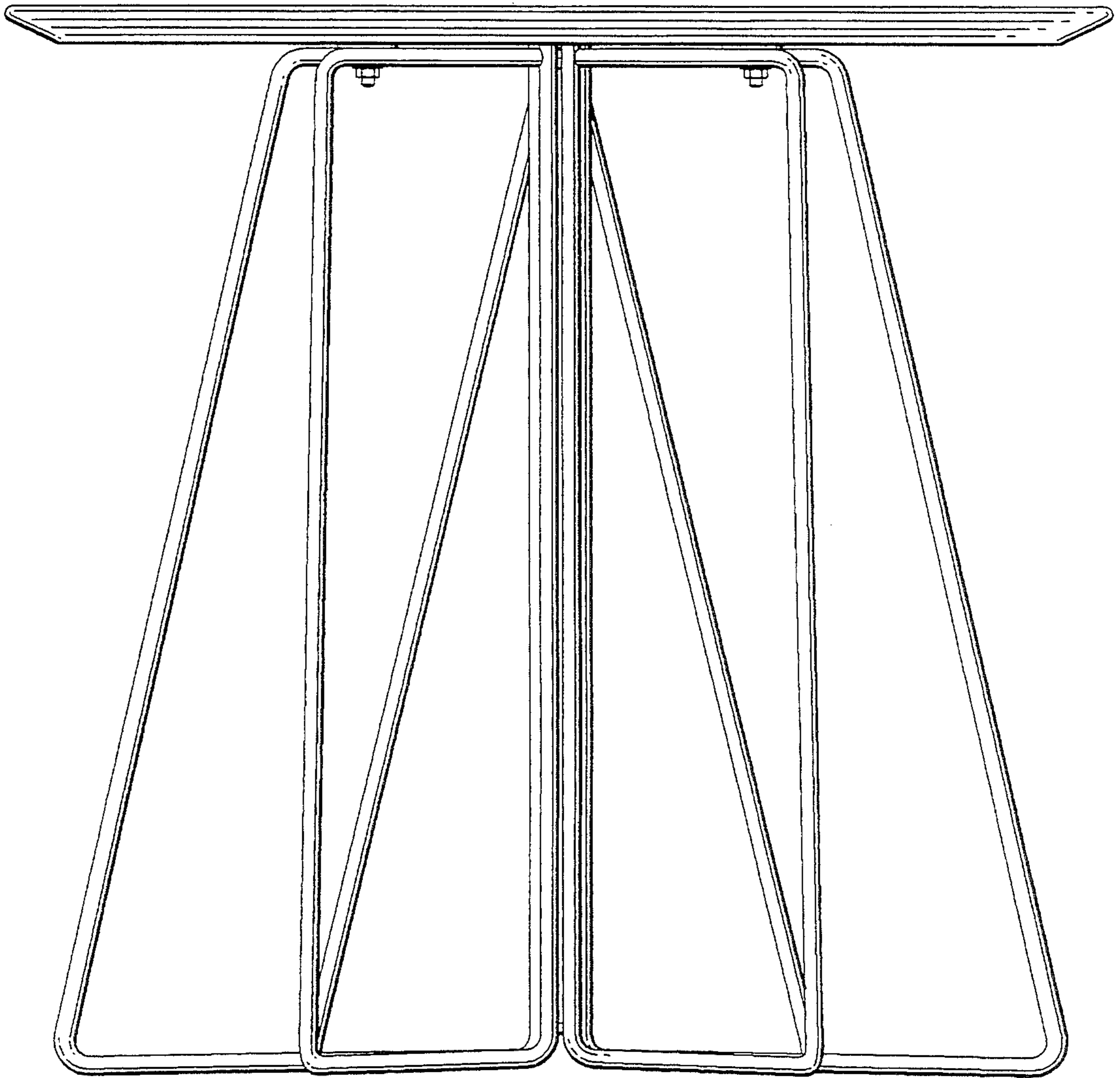


FIG. 4

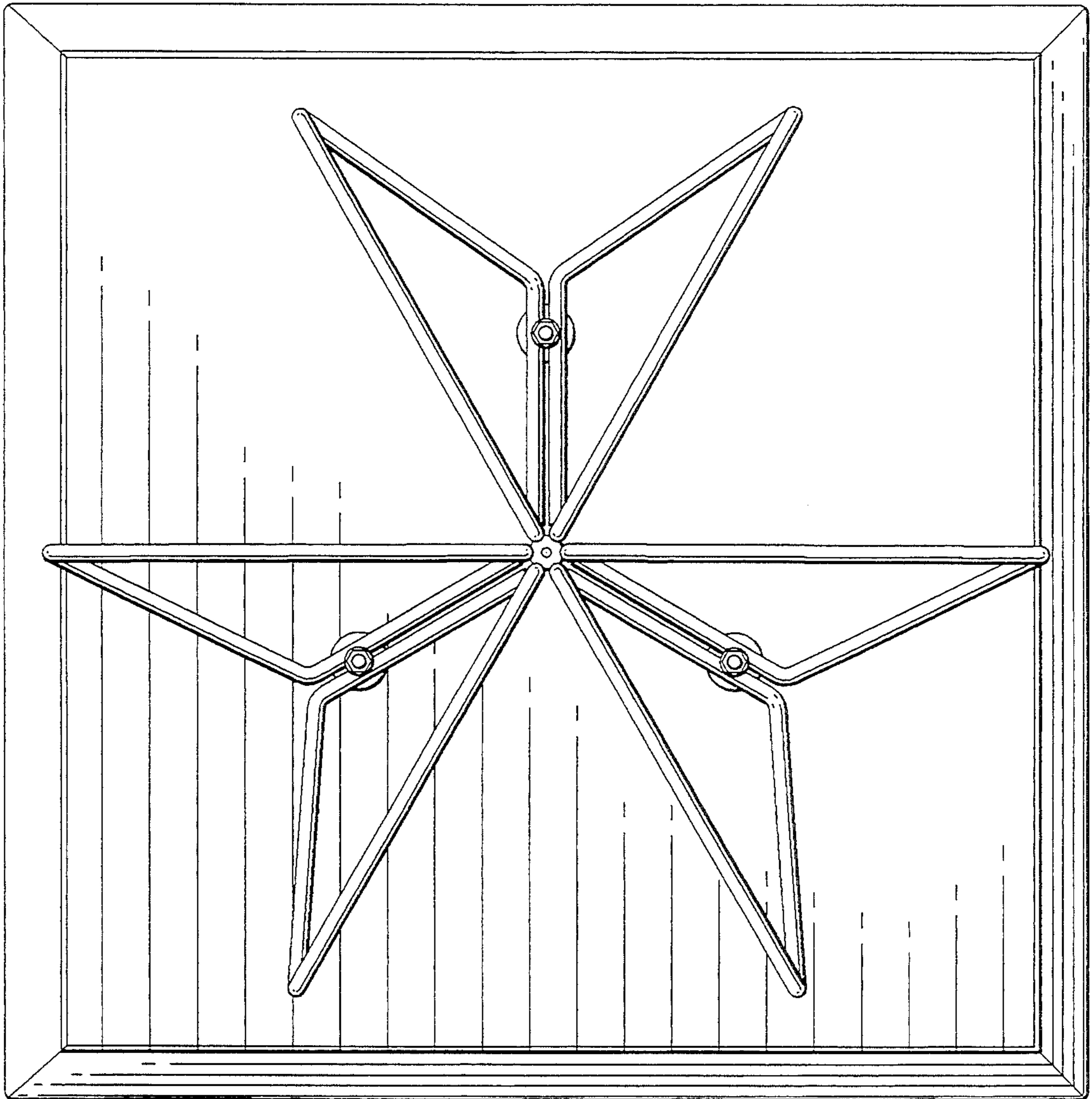


FIG. 5

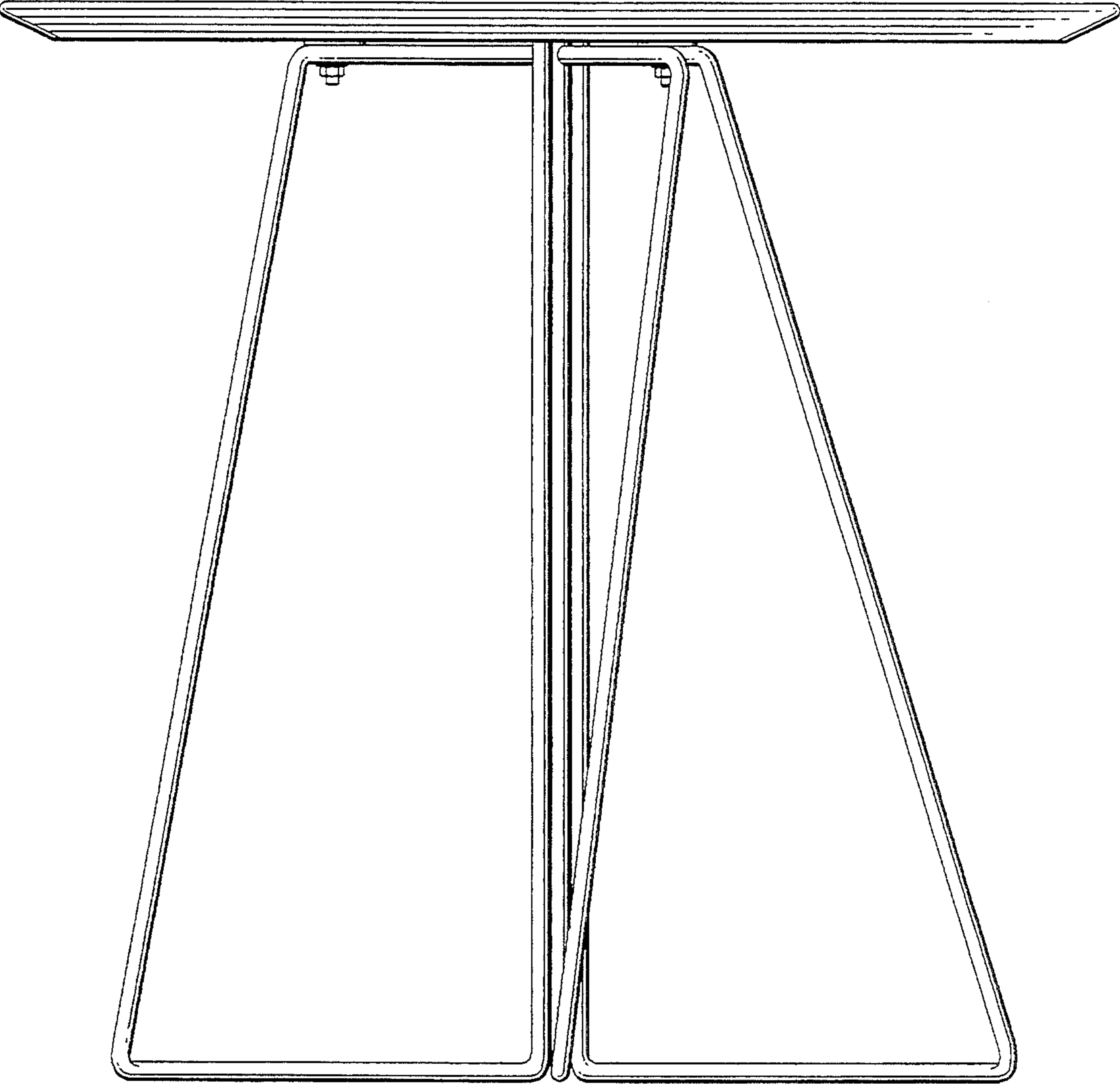


FIG. 6

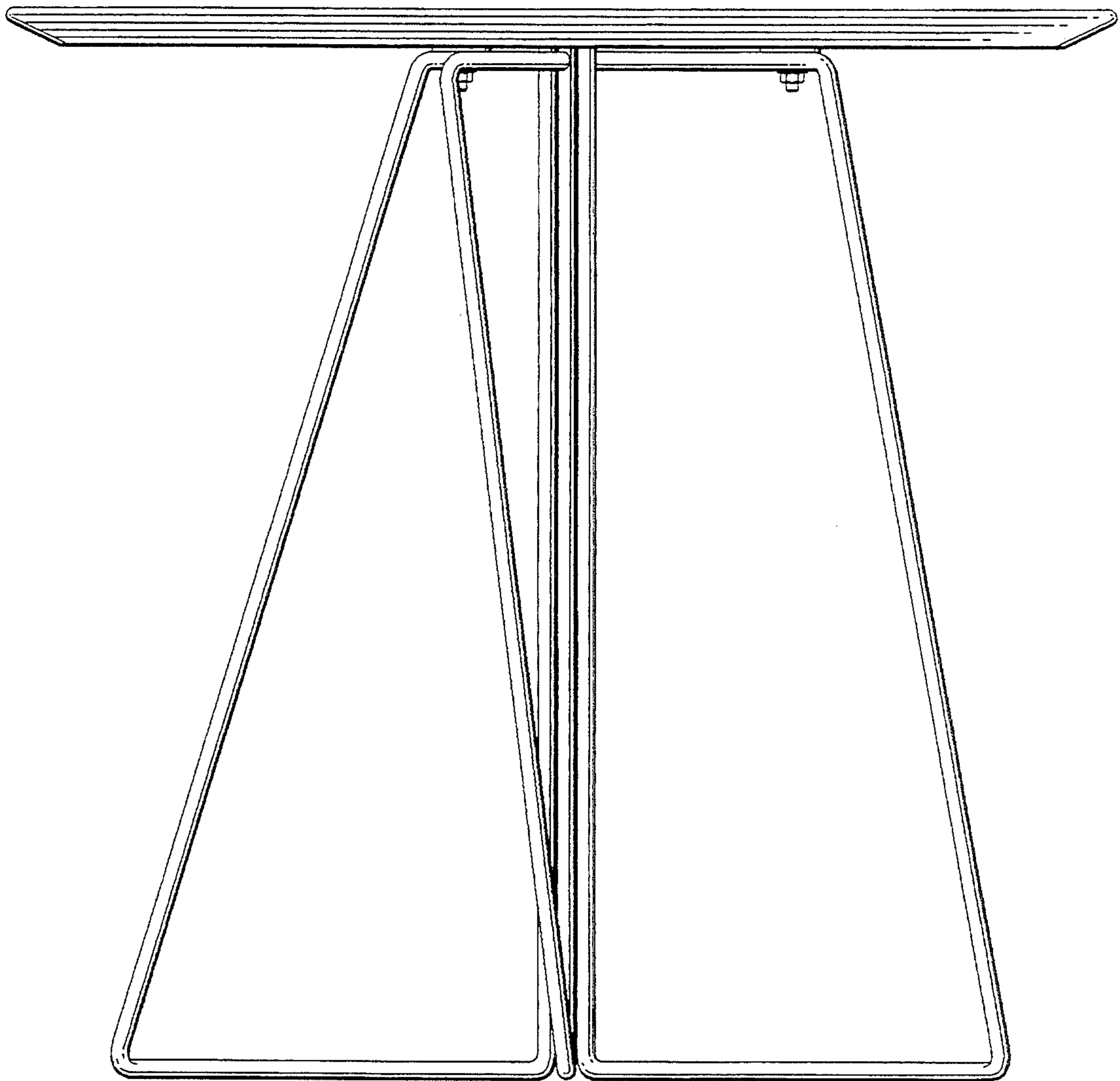


FIG. 7



FIG. 8

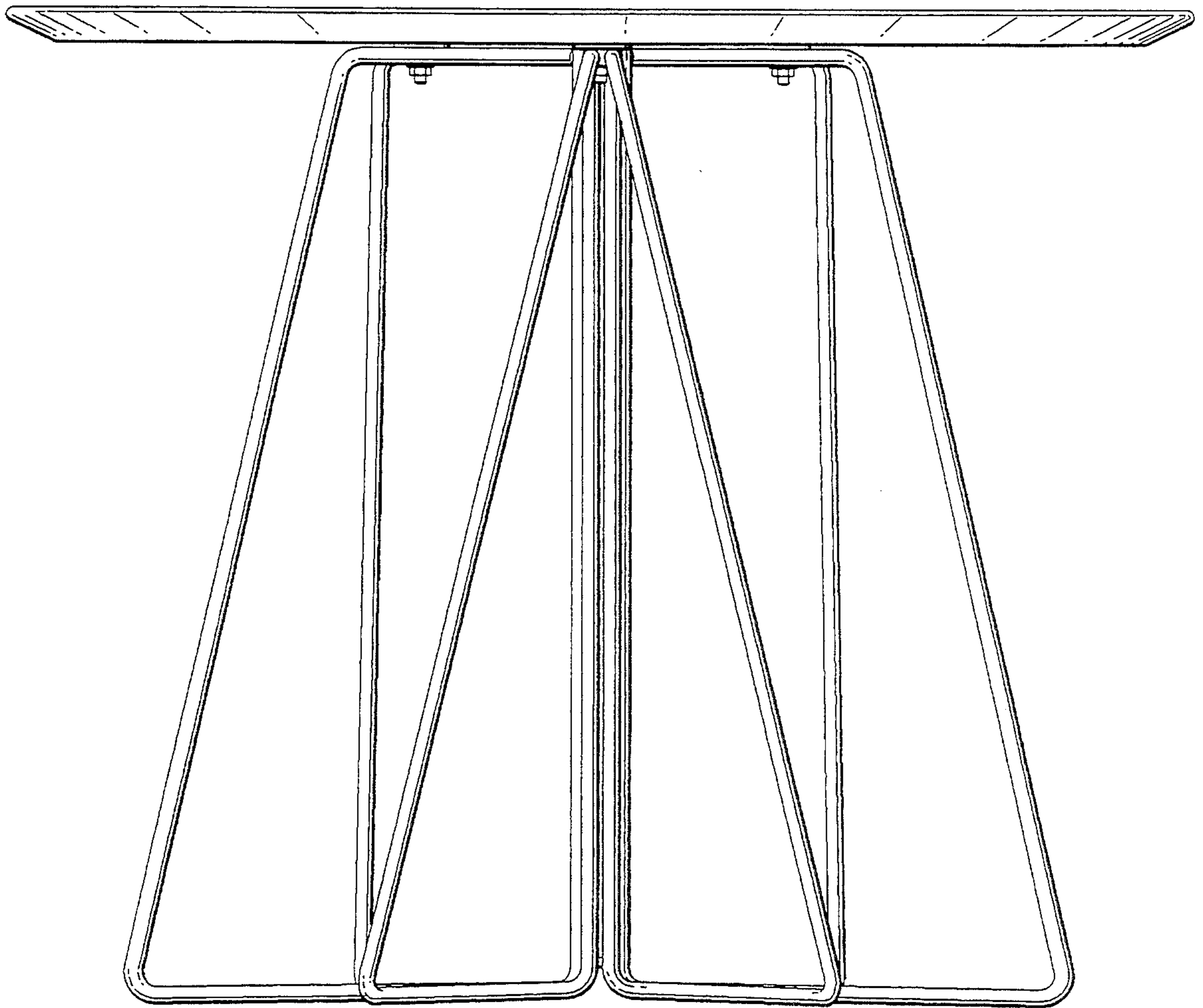


FIG. 9

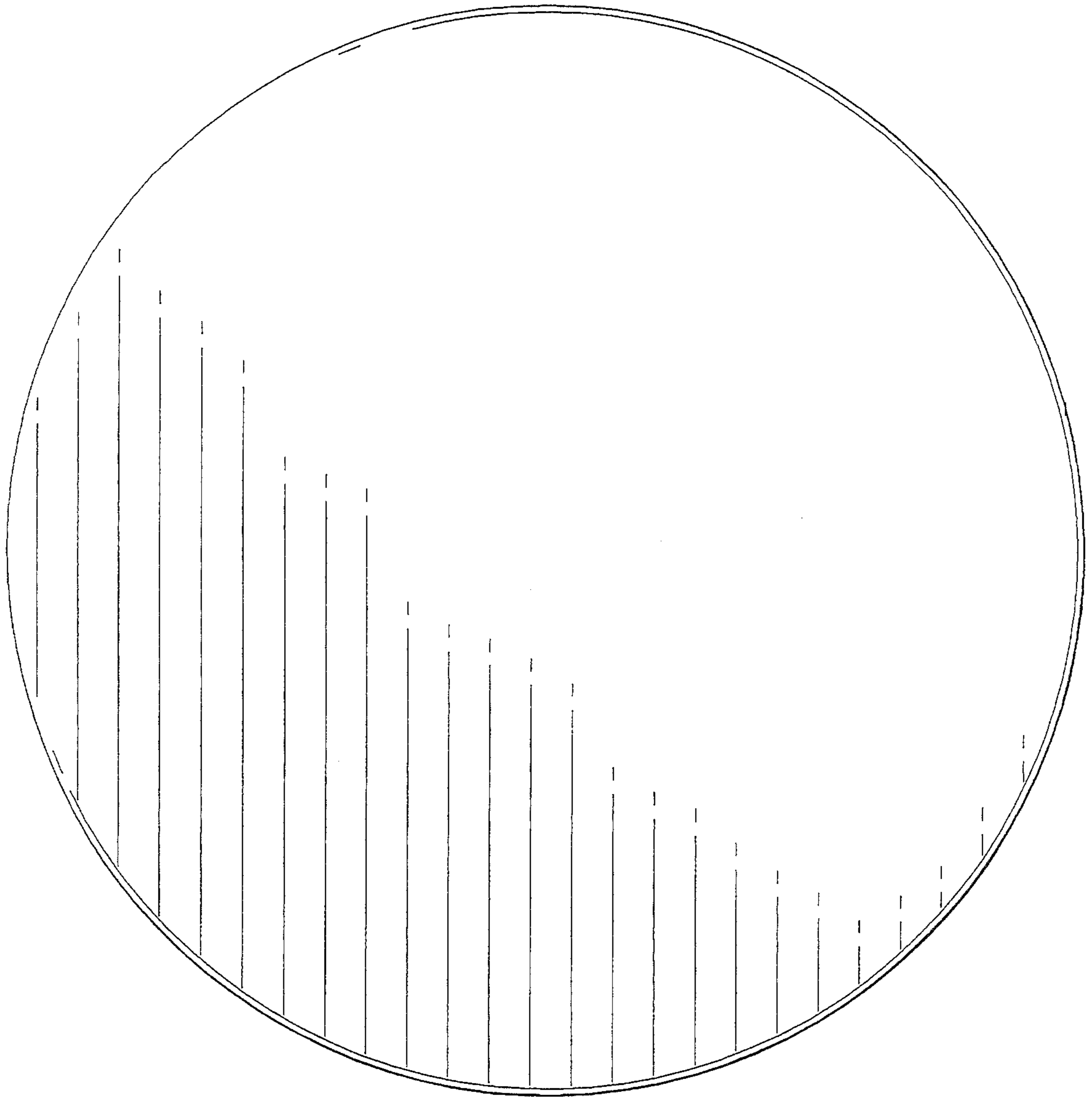


FIG. 10

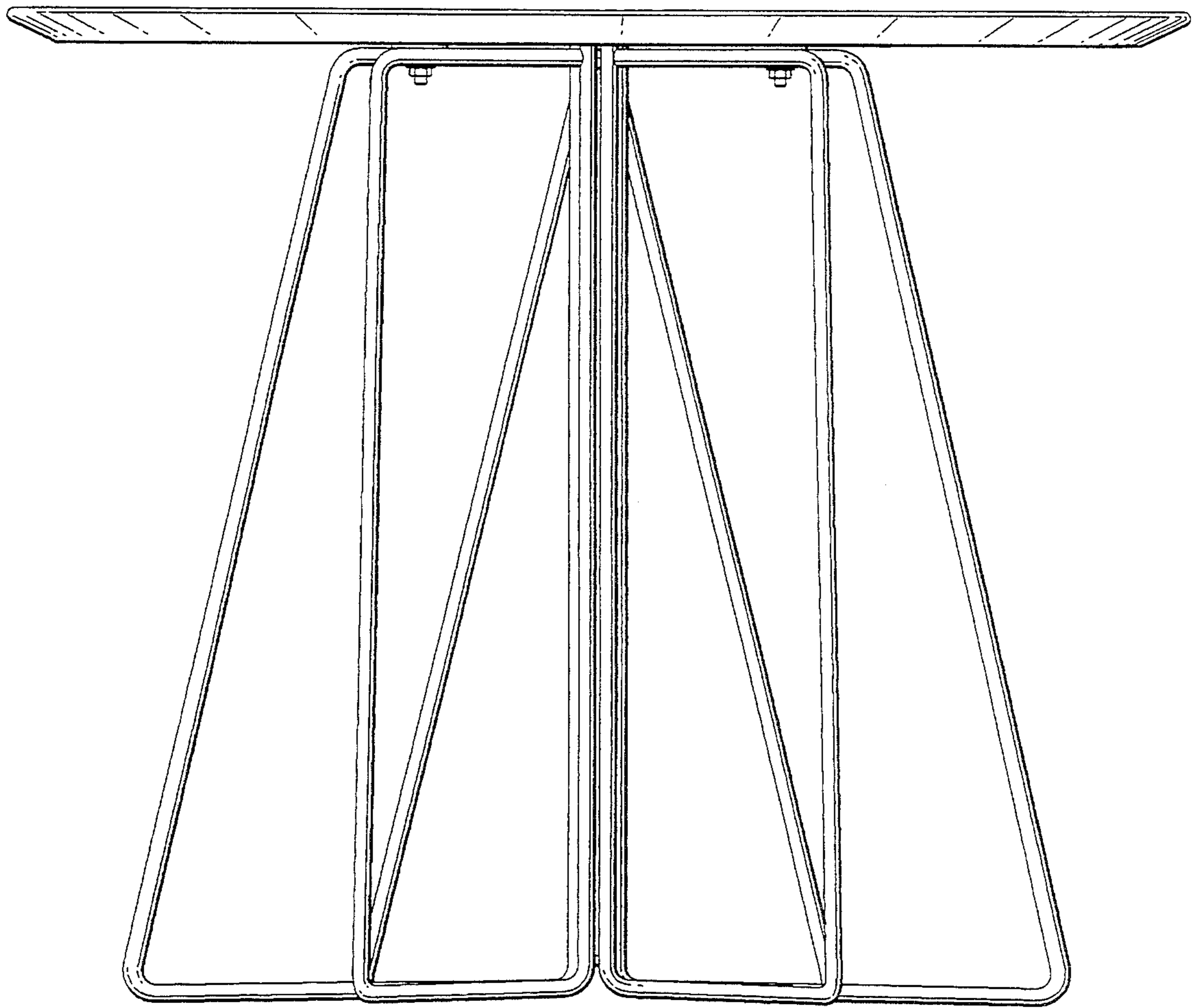


FIG. 11

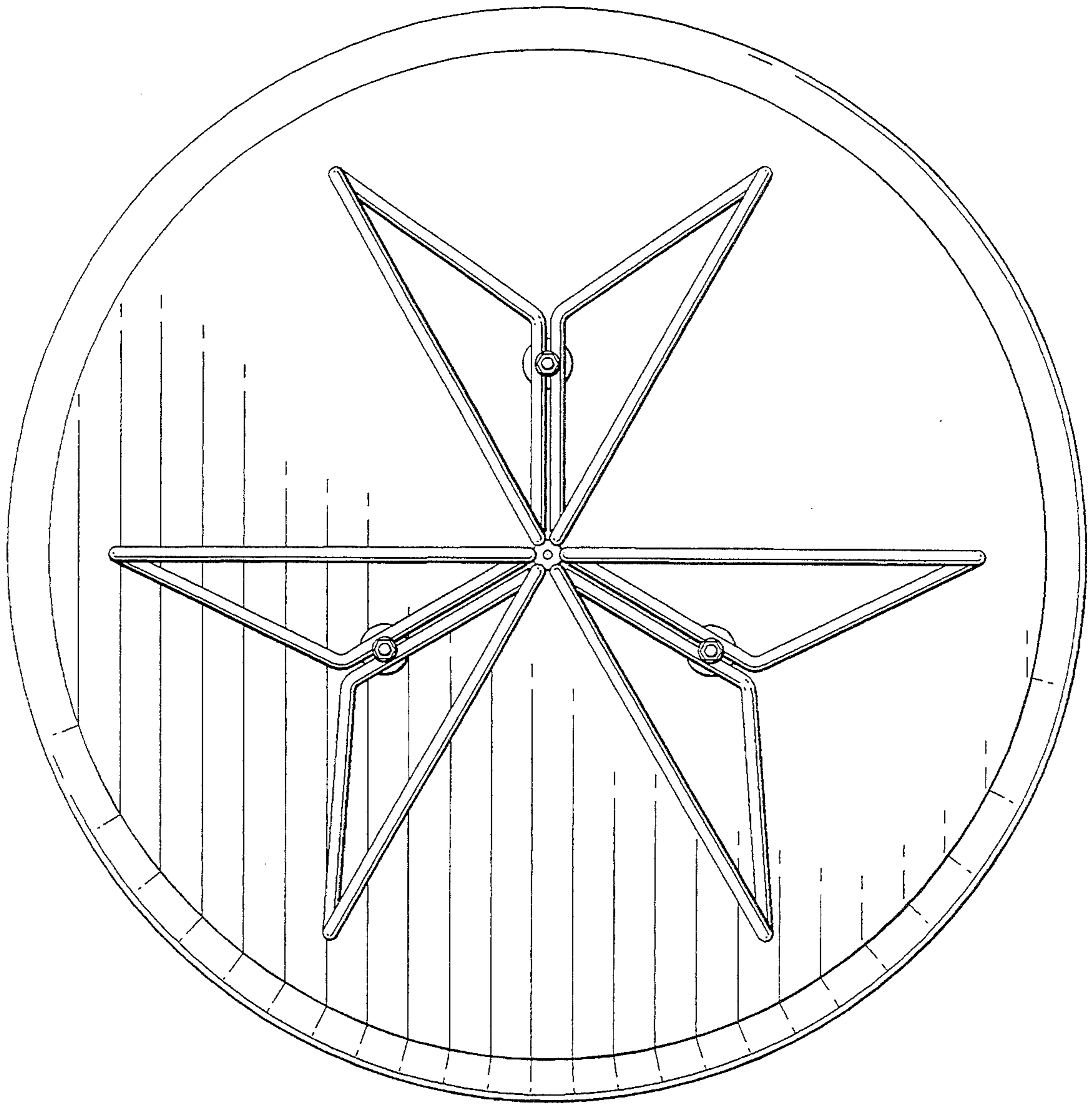


FIG. 12

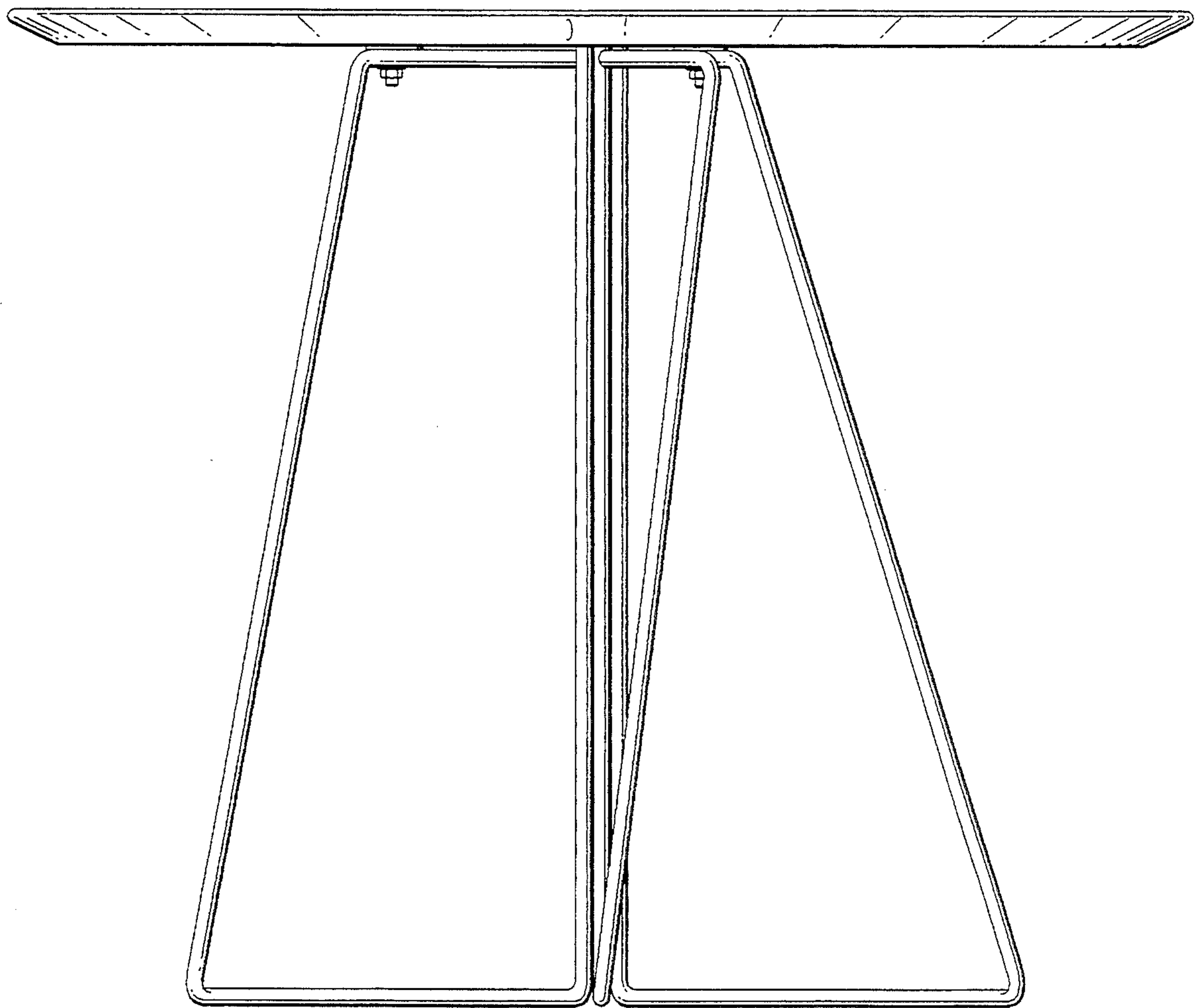


FIG. 13

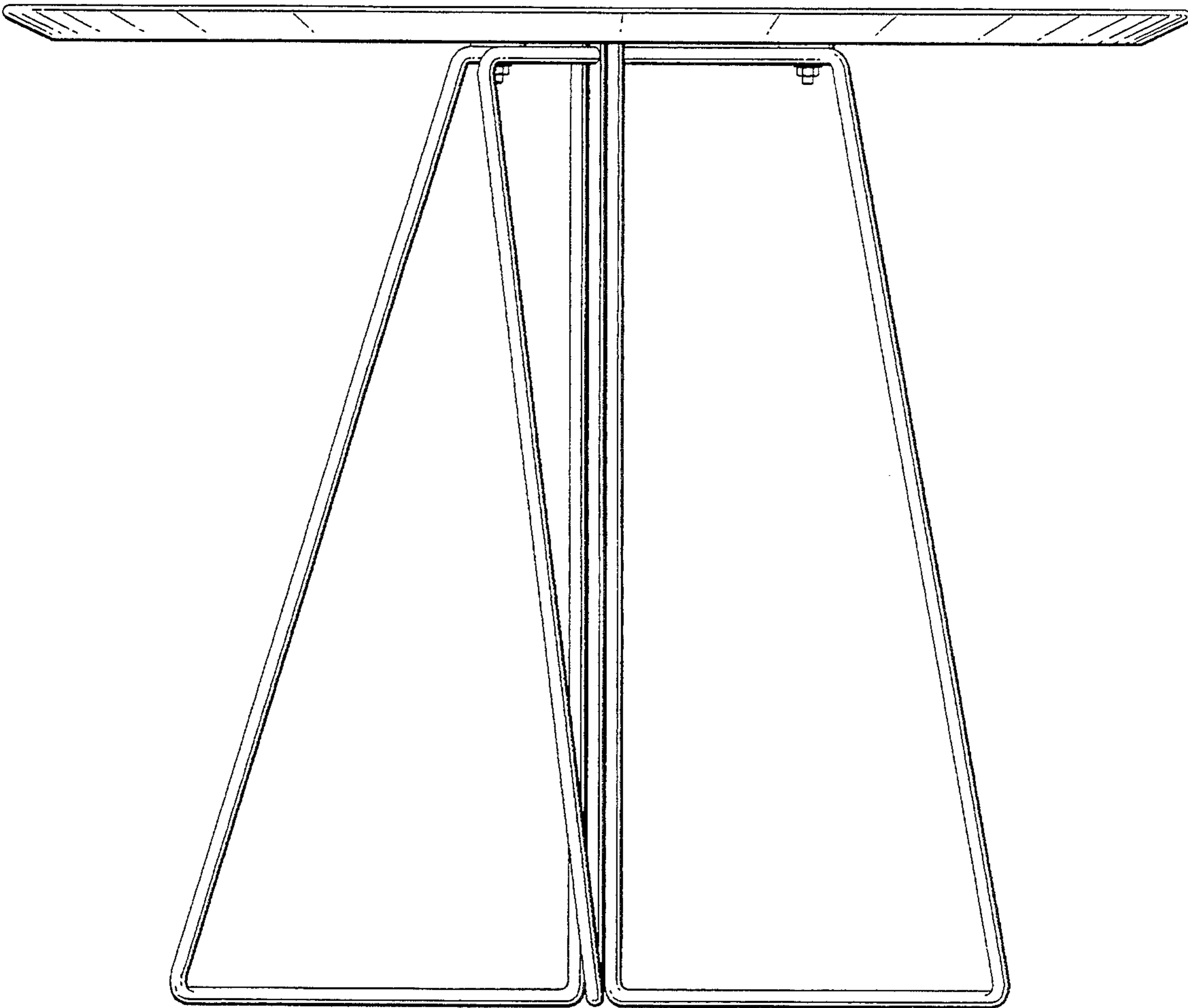


FIG. 14

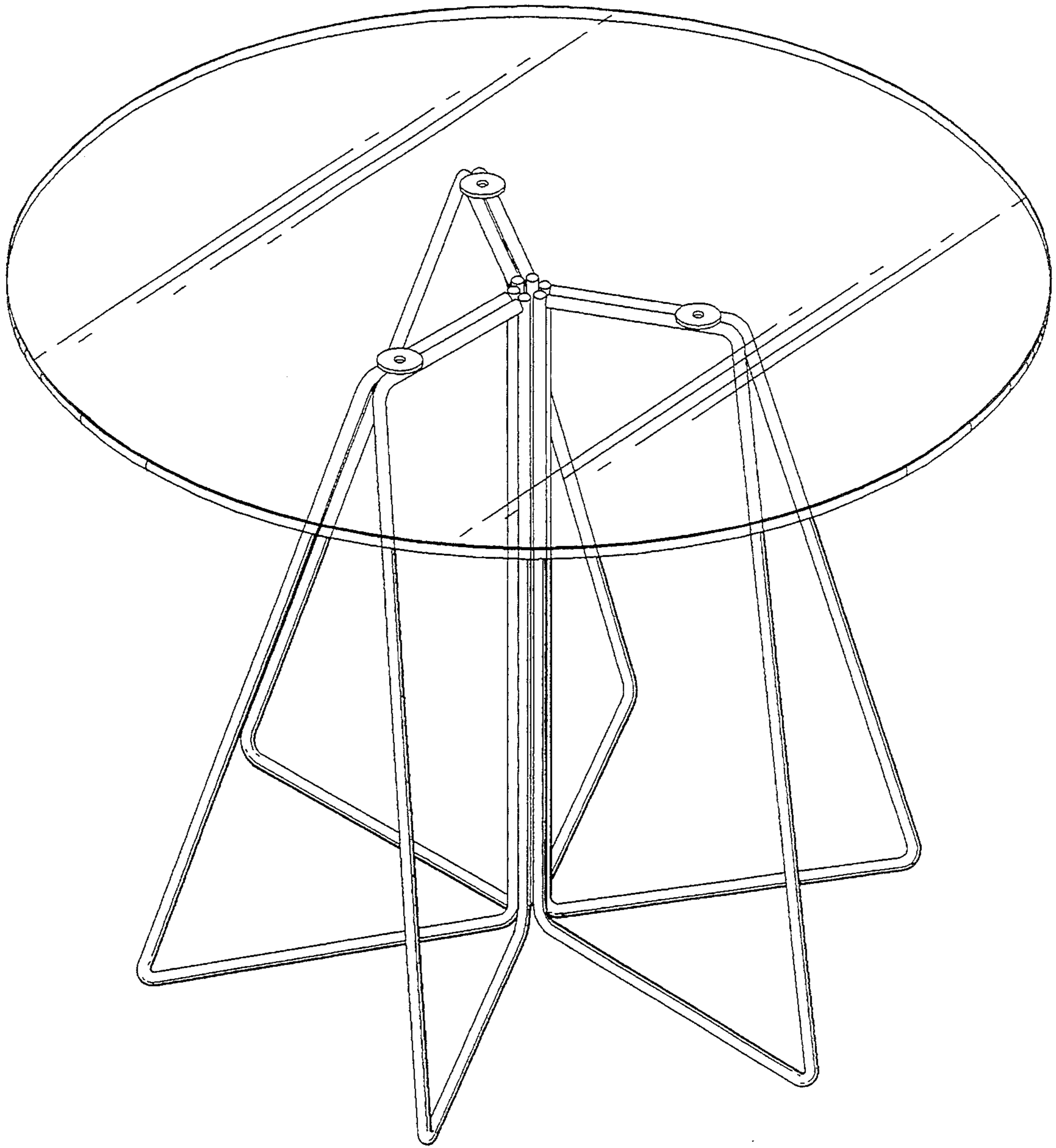


FIG. 15

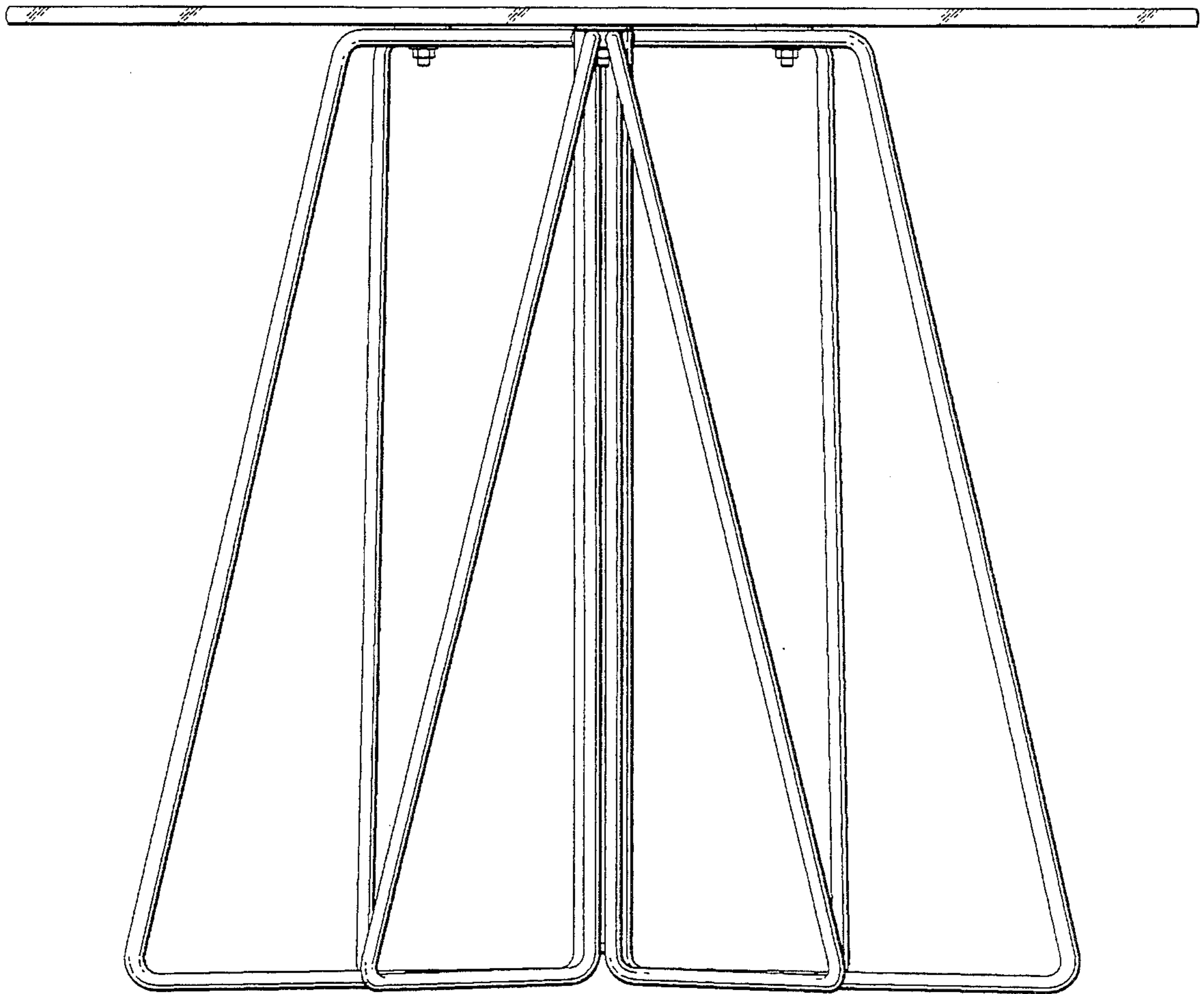


FIG. 16

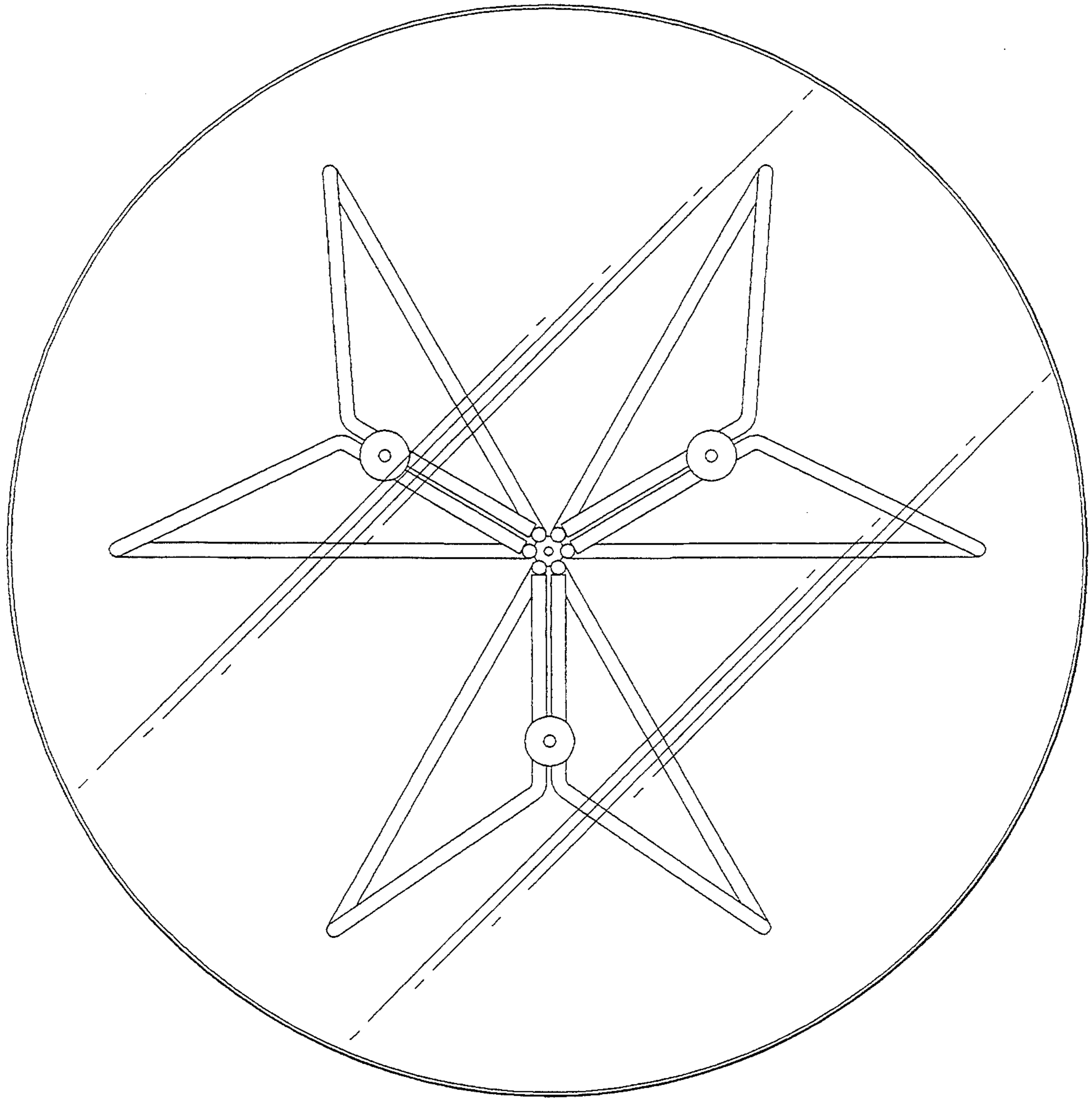


FIG. 17

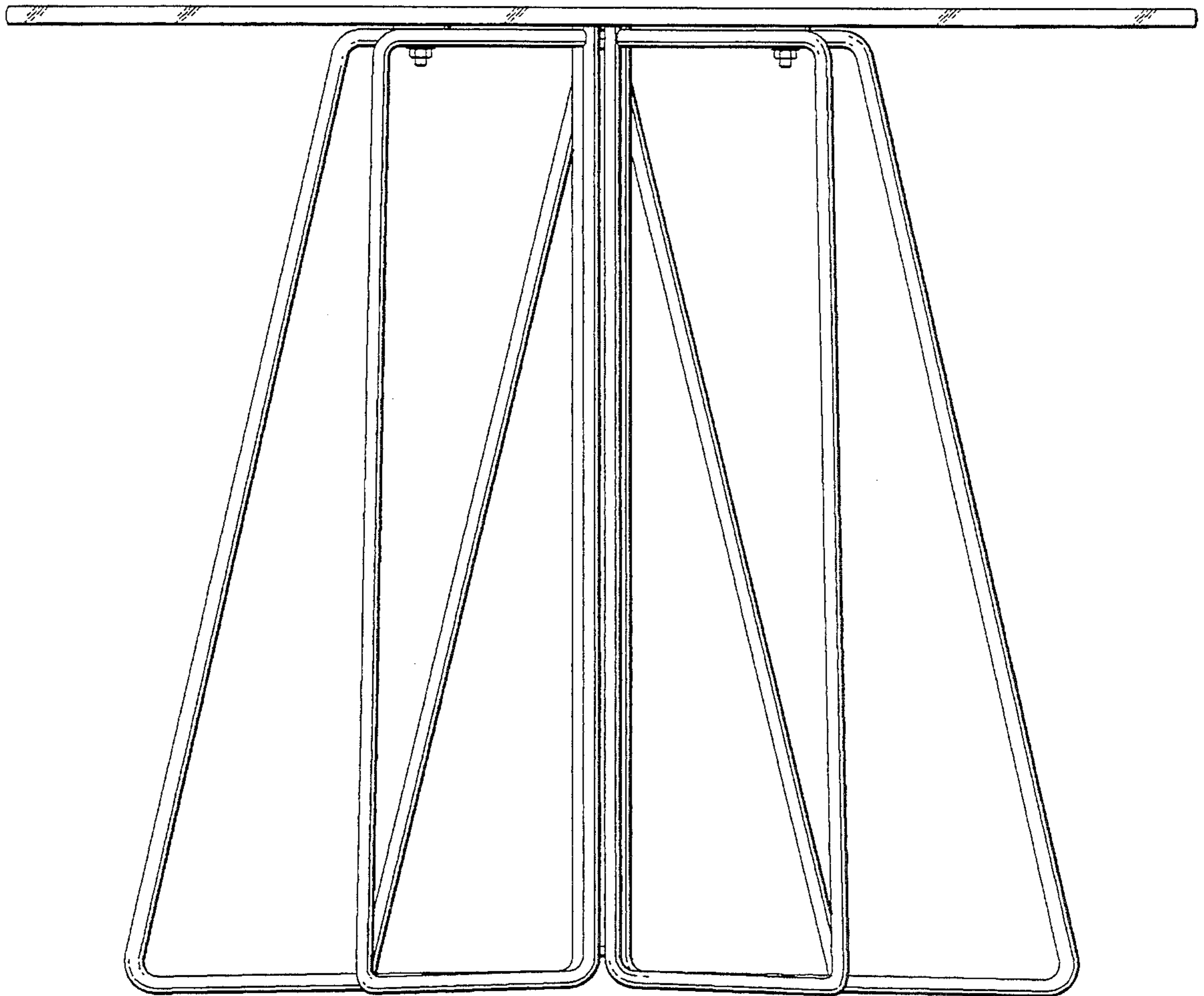


FIG. 18

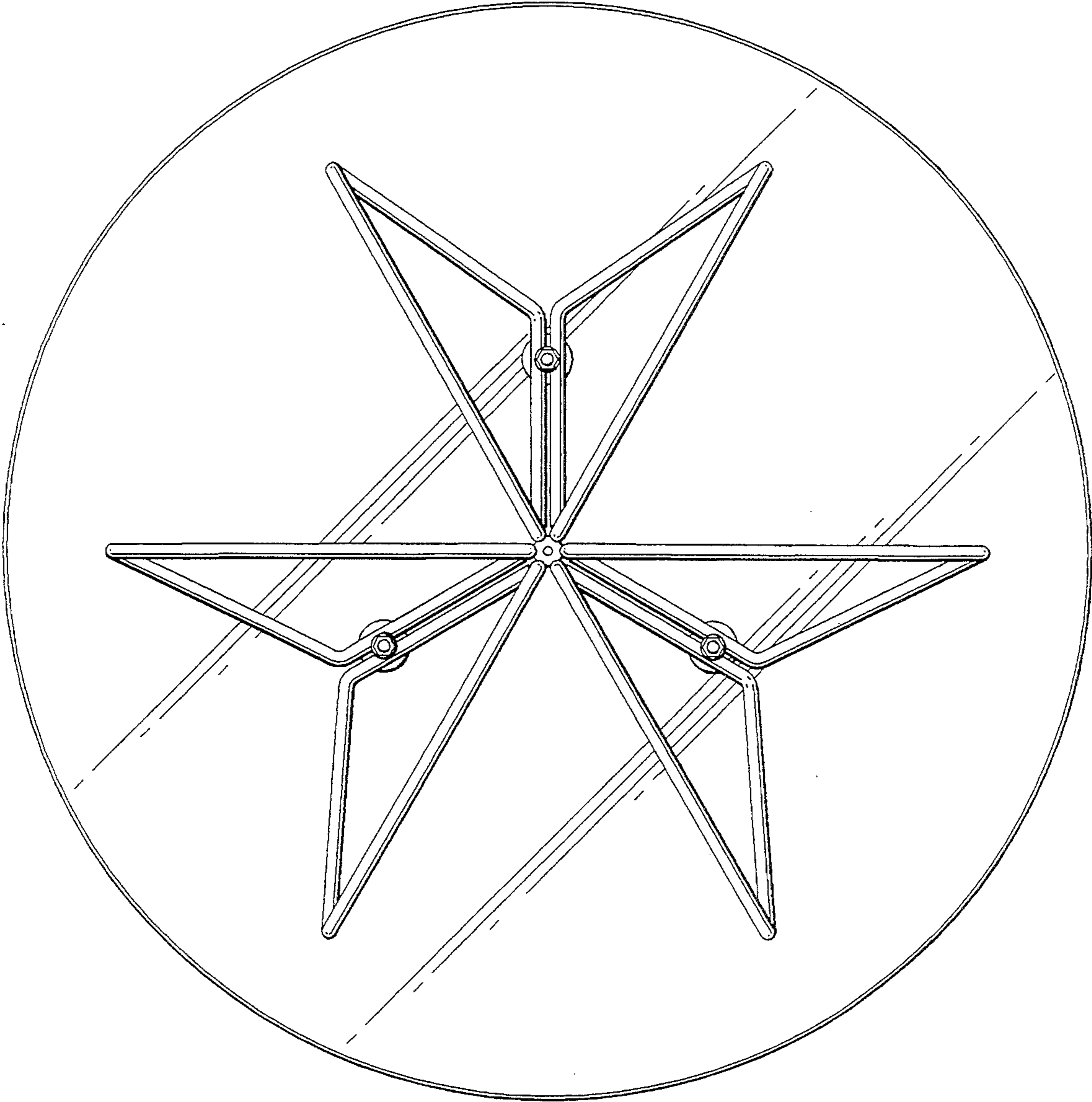


FIG. 19

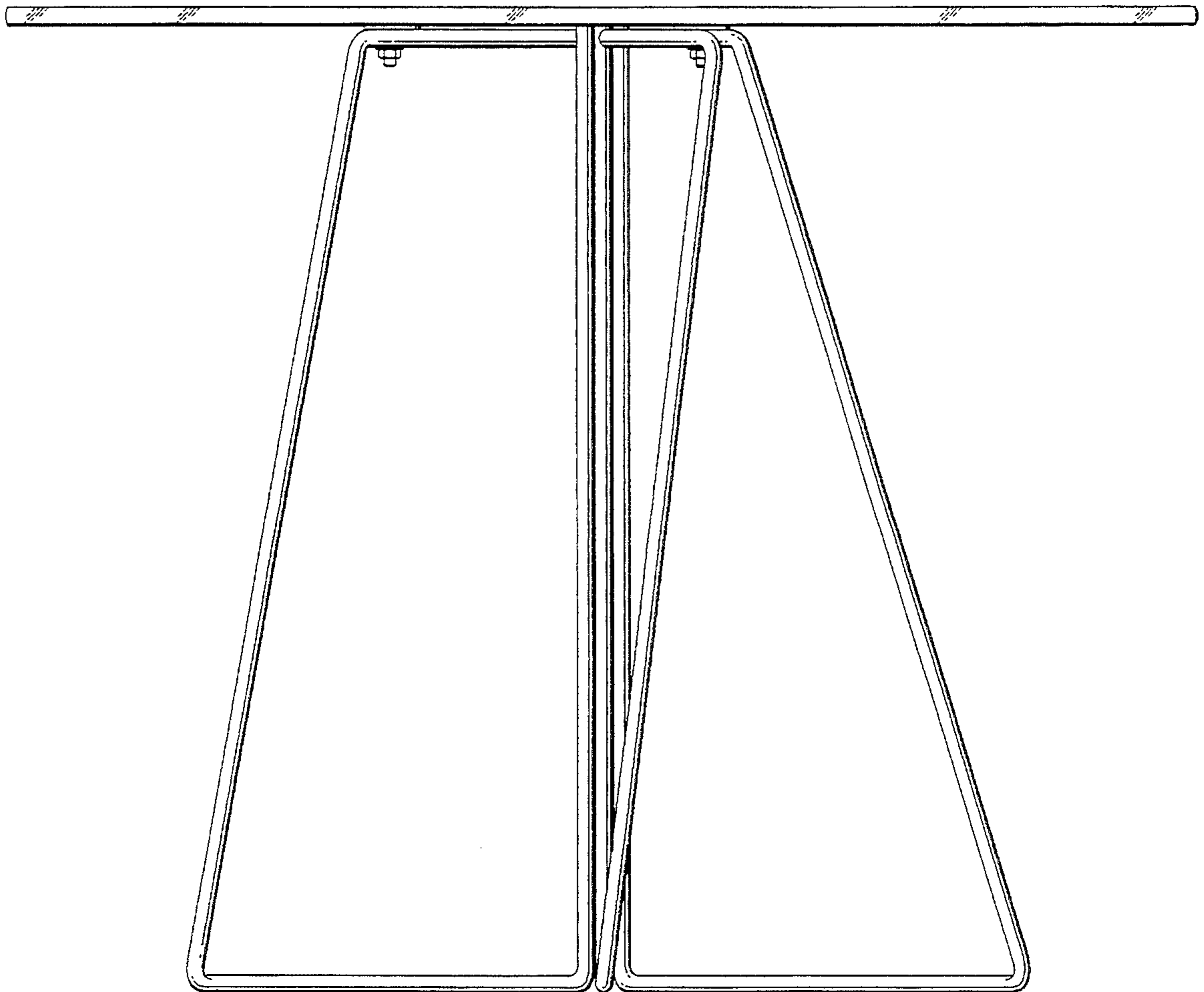


FIG. 20

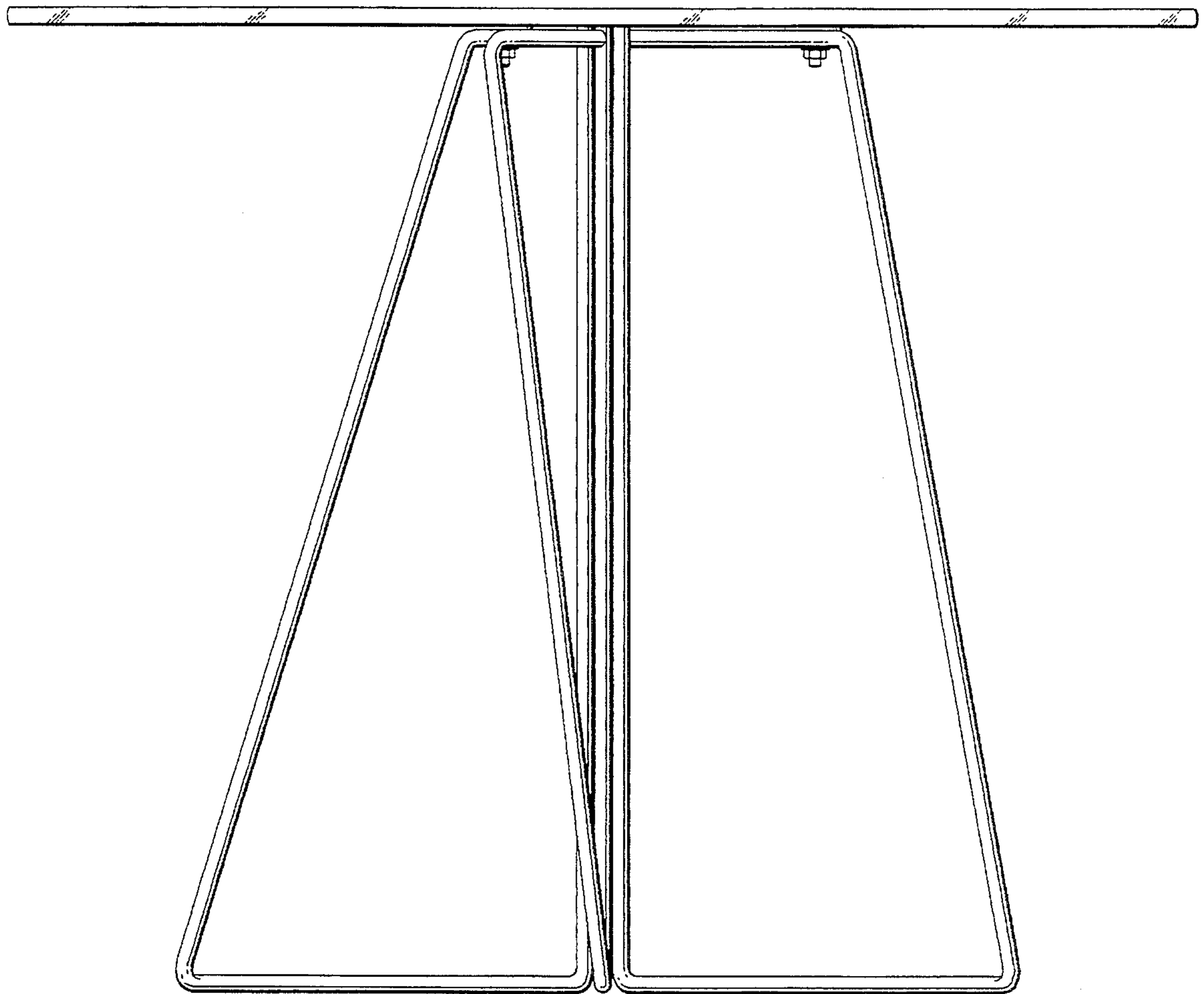


FIG. 21