



US00D361228S

United States Patent [19]

[11] Patent Number: Des. 361,228

Hassel et al.

[45] Date of Patent: ** Aug. 15, 1995

[54] PRINTER STAND

[75] Inventors: **H. Charles Hassel**, Knoxville, Tenn.
Hector R. Santos, Los Angeles, Calif.

[73] Assignee: **MicroComputer Accessories, Inc.**, Los Angeles, Calif.

[**] Term: **14 Years**

[21] Appl. No.: **10,676**

[22] Filed: **Jul. 15, 1993**

[52] U.S. Cl. **D6/479; D6/422; D6/428; D18/59**

[58] Field of Search **D6/422-428, D6/429-431, 477-479; 312/194-196; 248/676, 670, 917, 918; D34/17, 21, 23, 24; 108/1, 59, 60; D18/45, 59**

[56] References Cited

U.S. PATENT DOCUMENTS

D. 171,677	3/1954	Adler .	
D. 226,647	4/1973	Longato	D18/59 X
D. 250,380	11/1978	Verdesca et al. .	
D. 258,789	4/1981	Verdesca .	
D. 282,595	2/1986	Stephens	D34/21
D. 283,323	4/1986	Cervero	D18/59 X
D. 286,715	11/1986	Schriner	D6/462
D. 289,114	4/1987	Dickson	D6/421
D. 289,474	4/1987	Underwood et al.	D6/420
D. 290,020	5/1987	McCoy .	
D. 297,141	8/1988	Goodlander	D14/114
D. 311,753	10/1990	Westland et al. .	
D. 311,754	10/1990	Hassel et al. .	
D. 318,584	7/1991	Rousso	D6/479
1,656,153	1/1928	Smith .	
4,226,410	10/1980	McIntosh et al.	270/61
4,408,916	10/1983	Burgert	400/613.2
4,512,543	4/1985	Petrick	248/670
4,522,521	6/1985	Scott	400/691
4,525,087	6/1985	Cardona	400/613.2
4,544,065	10/1985	Mueller	211/13
4,563,102	1/1986	Sanders et al.	400/691
4,568,212	2/1986	Cooke et al.	400/691
4,570,802	2/1986	Murphy	211/13
4,632,345	12/1986	Barley	248/174
4,707,156	11/1987	Clark	400/613.2
4,786,021	11/1988	Vattier	248/188

OTHER PUBLICATIONS

Pp., 29, 30, 31, 32, 35, Printer Stands; Devoke, 1500 Martin Ave., Santa Clara, Calif. 95052. Publication Date 1982.

Catalog Page, Printer Stand; Devoke, 1500 Martin Ave., Santa Clara, Calif. 95052. Publication Date 1987. Catalog Page, Printer Stand; General, Buromsbelfabrik, GmbH, Worryngstrabe 250, Postfach 170108, D-4300 Essen 176. Publication Date 1985.

Catalog Page, Printer Stand; Atlanta, Address Unknown. Publication Date 1978.

Pp. 8, 32, 70, Printer Stands; Global Computer Supplies, 9139 Hemlock Dr., Hempstead, N.Y. 11550, Publication Date 1984.

Pp. 143, 144, 146, 147, 149, 151, 153, 155-157, 160-166, Printer Stands; Global Computer Supplies, 9139 Hemlock Dr., Hempstead, N.Y. 11550, Publication Date 1992.

Pp. 112, 114, 116, 117, 122, 123, 128, Printer Stands; Visible, A Subsidiary of Wallace Computer Services, Inc., 1750 Wallace Ave., St. Charles, Ill. 60174. Publication Date 1992.

Catalog Page, Printer Stand; Balt, Inc., P.O. Box 47092, Dallas, Tex., 75247-1492. Publication Date Mar. 1, 1986.

Catalog Page, Printer Stand; Mocas, Rijnsburgstraat 11, (List continued on next page.)

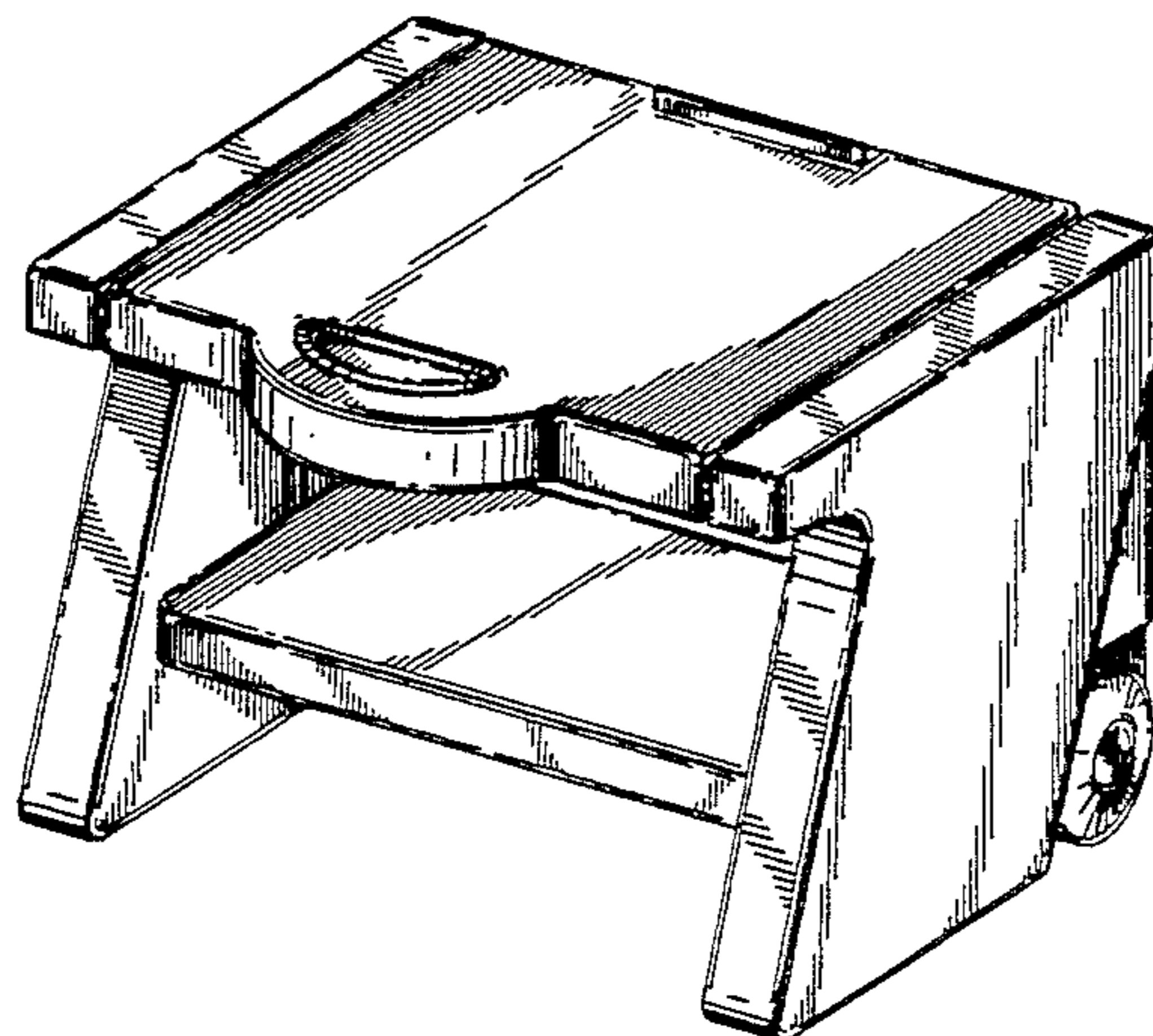
Primary Examiner—Carmen H. Vales-Lado
Attorney, Agent, or Firm—Richard B. O'Planick; Lisa B. Riedesel

[57] CLAIM

The ornamental design for a printer stand, as shown and described.

DESCRIPTION

FIG. 1 is a top right front perspective view of a printer stand showing our new design;
FIG. 2 is a left side elevational view thereof; the right side elevational view being a mirror image;
FIG. 3 is a front elevational view thereof;
FIG. 4 is a top plan view thereof;
FIG. 5 is a rear elevational view thereof; and,
FIG. 6 is a bottom plan view thereof.



OTHER PUBLICATIONS

1059 AT Amsterdam. It is believed that the product depicted herein has been on sale for more than one (1) year prior to the application date of this instant application.

Pp. 213-215, 222, 224, 225, 228, 229, 231, Printer Stands; Inmac, 2465 Augustine Dr., P.O. Box 58031, Santa Clara, Calif. 95052-8031. Publication Date 1992.

Page 215, Printer Stands; Inmac, 2465 Augustine Dr., P.O. Box 58031, Santa Clara, Calif. 95052-8031. Publication Date Nov. 1987.

Pp. 67-70, Printer Stands; Misco, One Misco Plaza, Holmdel, N.J. 07733. Publication Date 1987.

Pp. 77, 91, Printer Stand; Misco, One Misco Plaza, Holmdel, N.J. 07733. Publication Date 1992.

Catalog Page Printer Stand; Phillips Electronic Office Systems, Address Unknown. It is believed that the product depicted herein has been on sale for more than one (1) year prior to the application date of this instant application.

Pp. 60, 61, 78, 79, 82, 83, 84, 87, Printer Stands; United Stationers Supply Company, 2200 E. Golf Rd., Des Plaines, Ill. 60016. Publication Date 1988.

Catalog Page, Printer Stand; Melas Office Acoustics Printerdesks, Address Unknown. It is believed that the product depicted herein has been on sale for more than one (1) year prior to the application date of this instant application.

P. 49, Printer Stands; Nebs Computer Forms Catalog, Address Unknown. Publication Date Summer 1983.

Catalog Page, Printer Stand; Input-ez Corporation, 555 Quivas St., Denver, Colo. 80204. Publication Date 1989.

P. 68, Printer Stand; Varco Incorporated, 121 N. 9th St., DeKalb, Ill. 60115. Publication Date 1983.

Pp. 72, 75-78, 80, 81, 83, Printer Stands; Varco Incorporated, 121 N. 9th St., DeKalb, Ill. 60115. Publication Date Apr. 30, 1992.

Sell Sheet, Printer Stand; Micro Computer Accessories Inc., 5405 Jandy Place, P.O. Box 66911, Los Angeles, Calif. 90066-0911. Publication Date 1991.

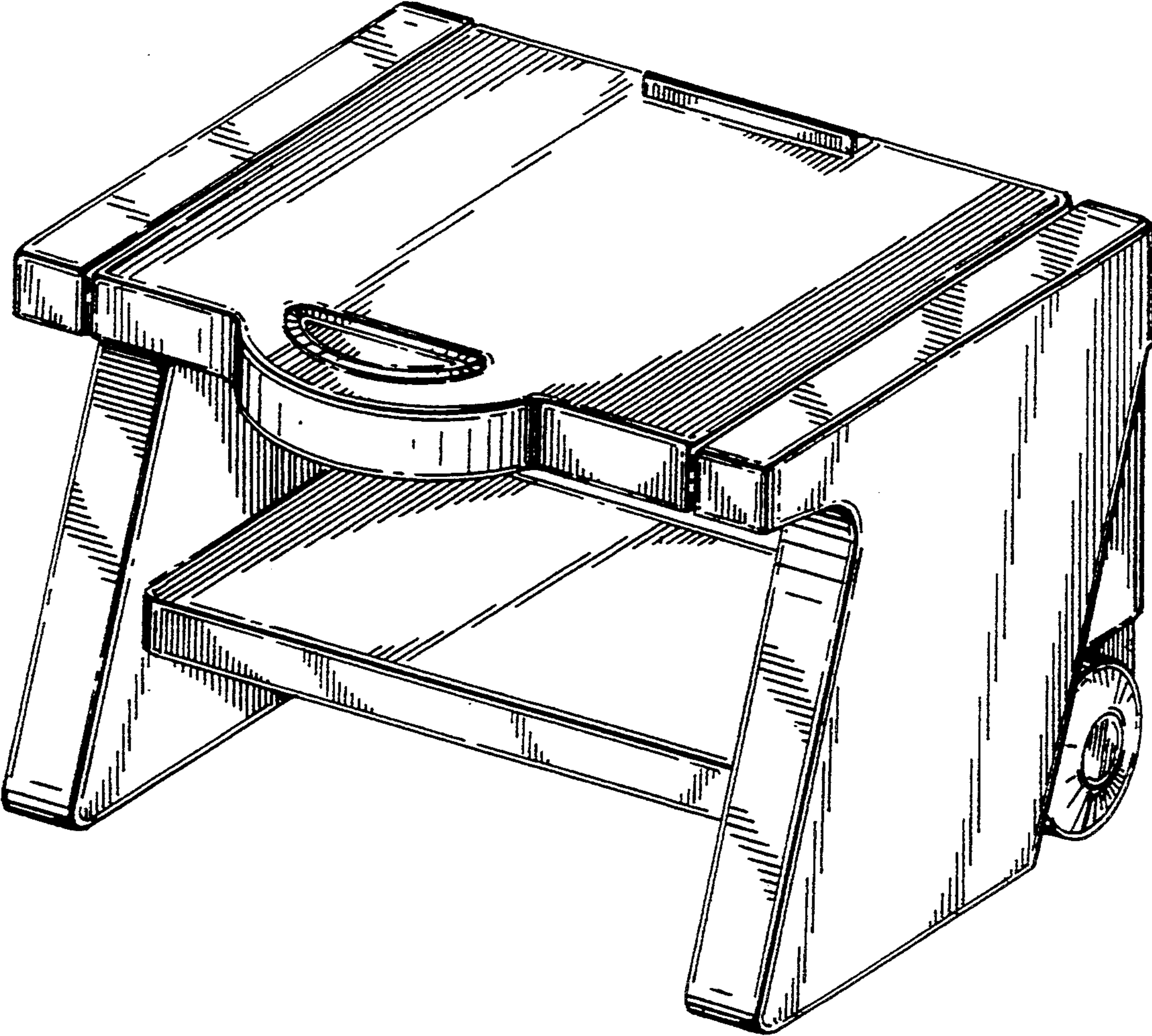


FIG. 1

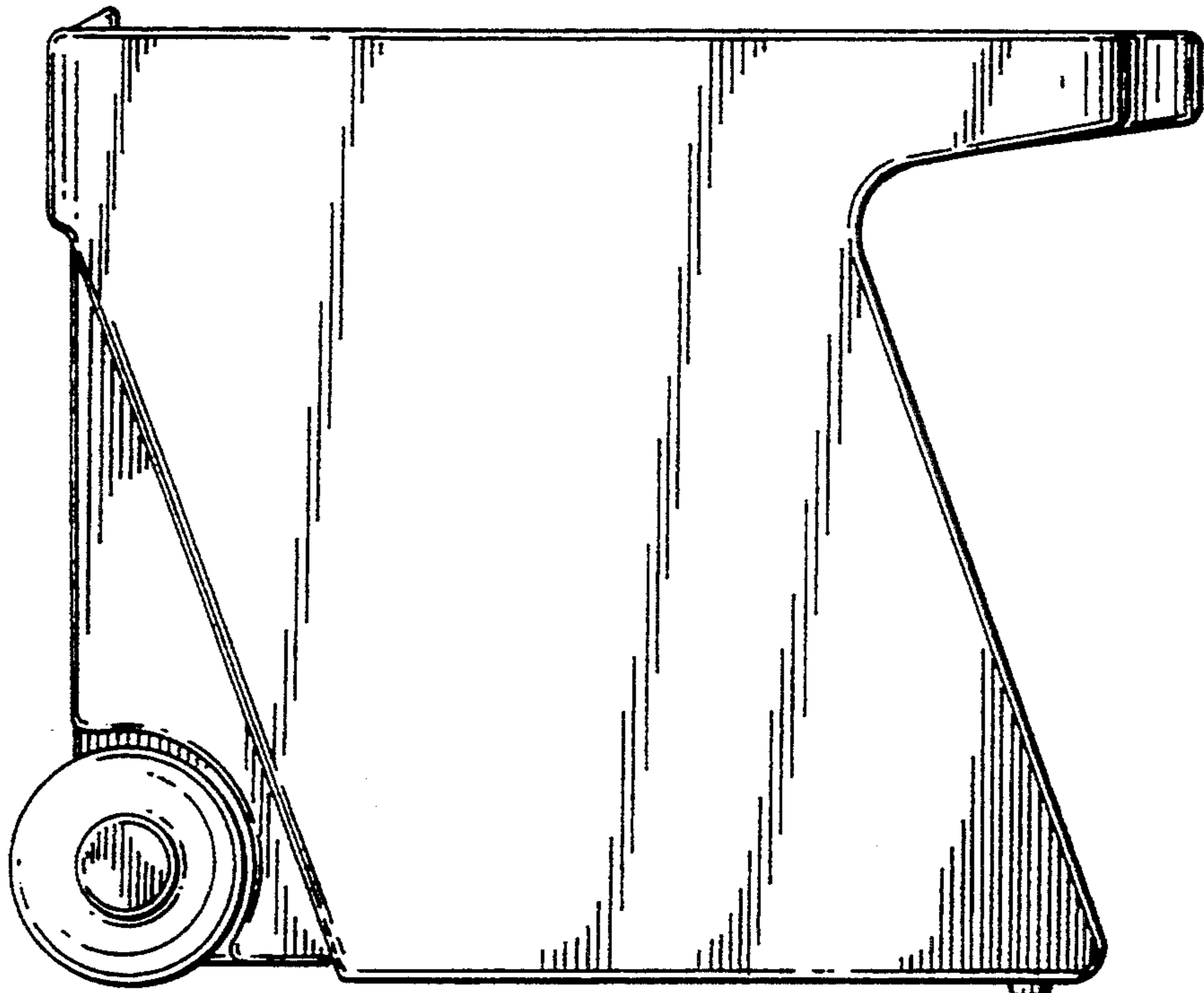


FIG. 2

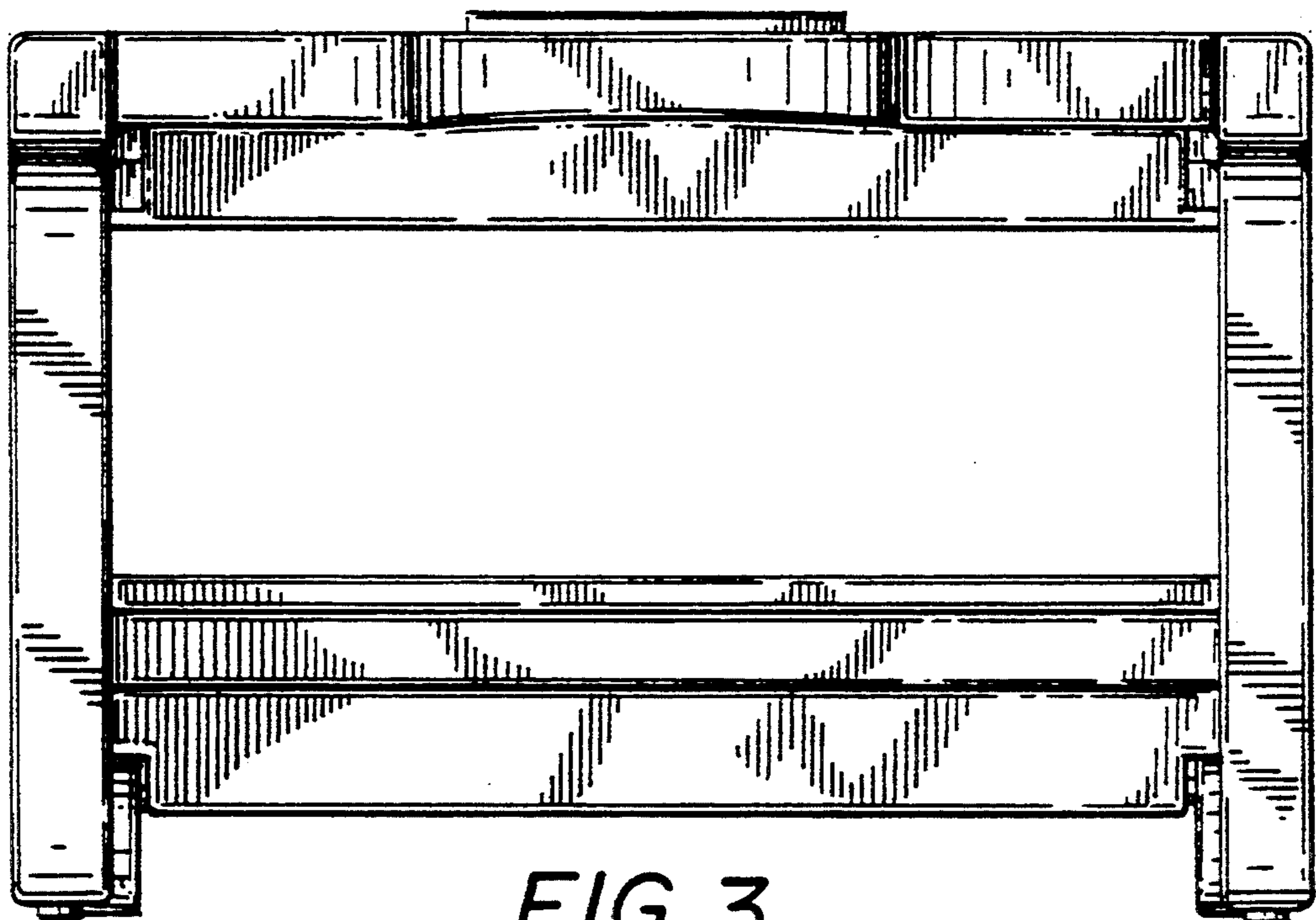


FIG. 3

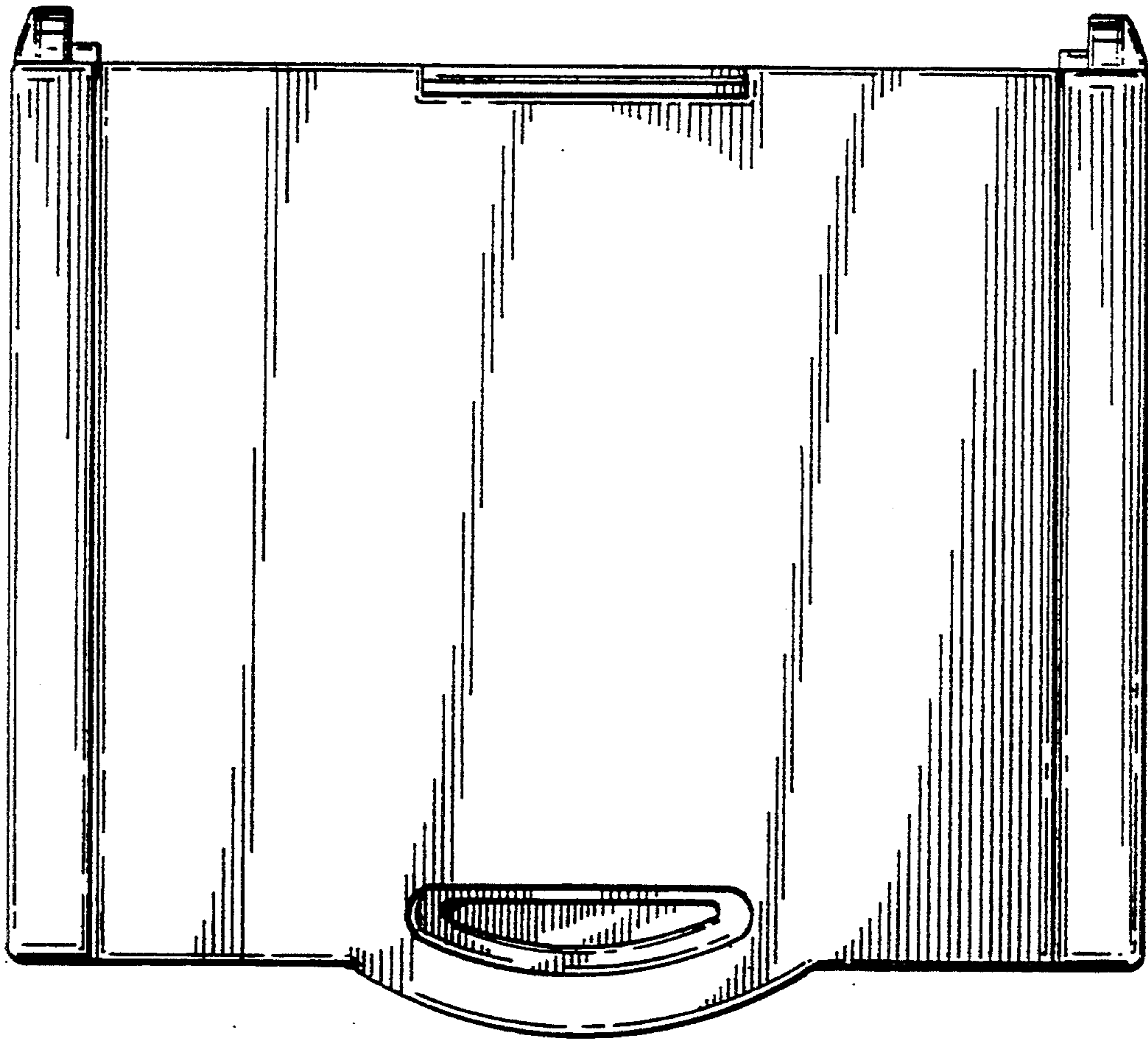


FIG. 4

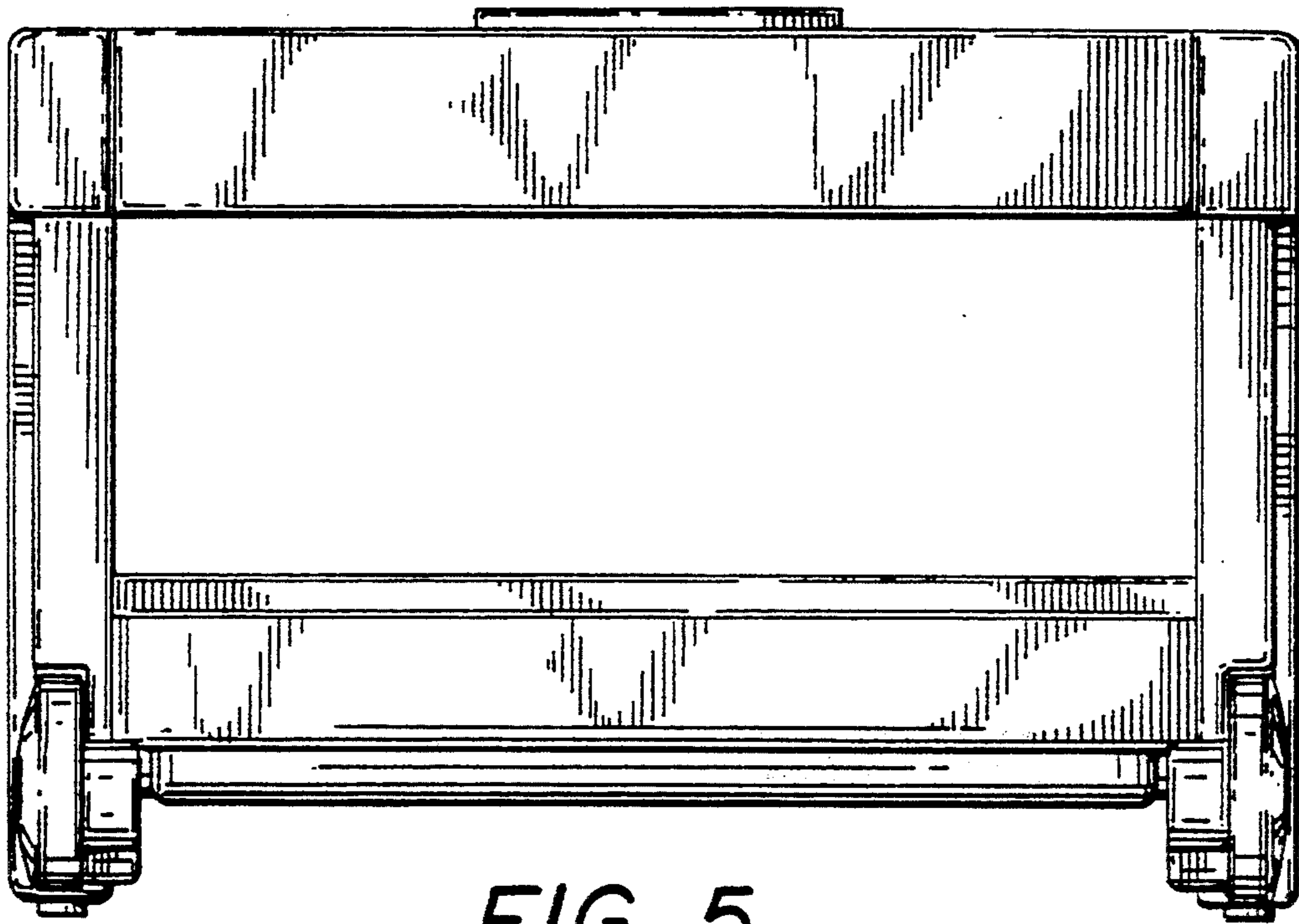


FIG. 5

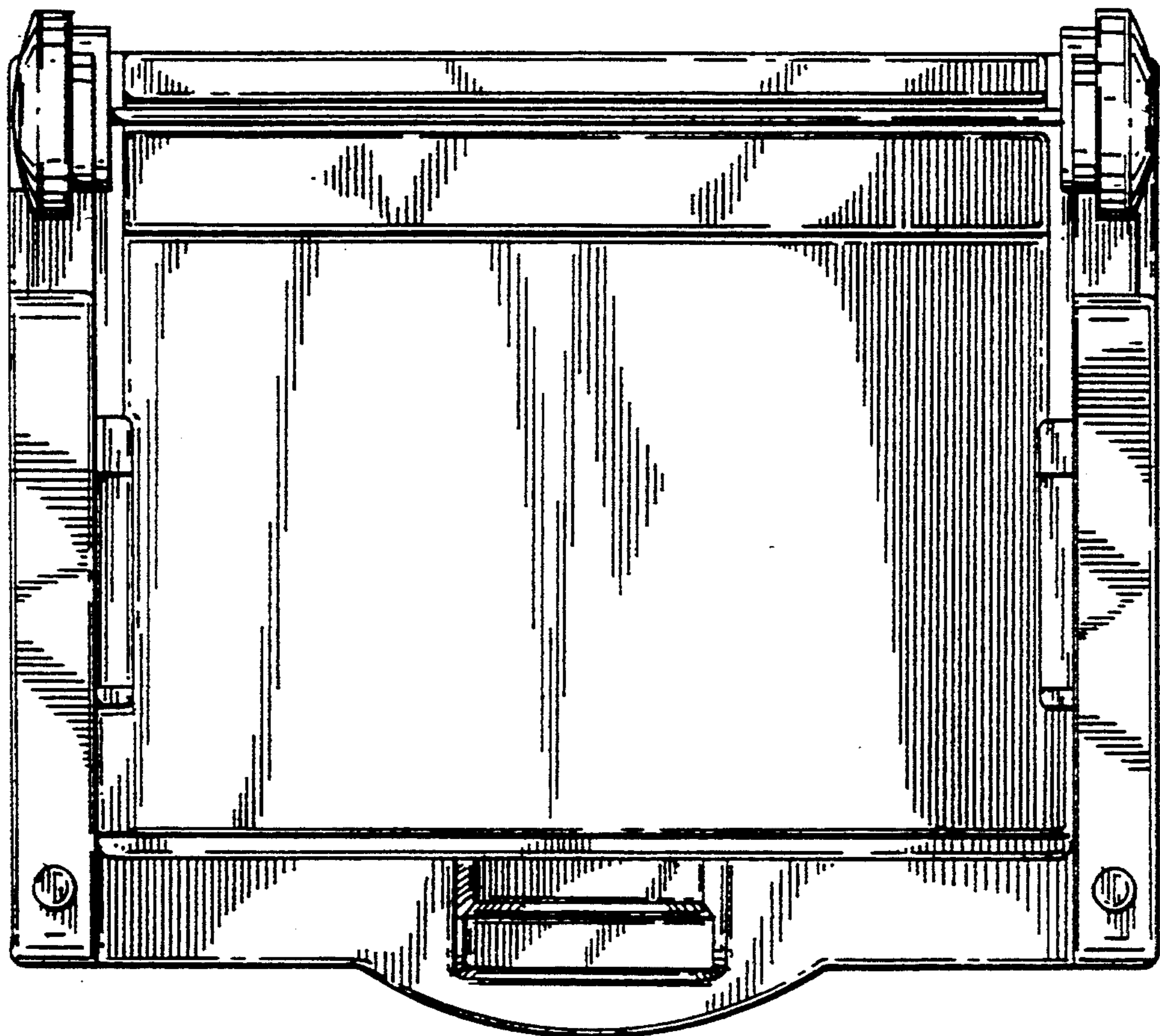


FIG. 6