



US00D361227S

United States Patent [19]

[11] Patent Number: **Des. 361,227**

Jones et al.

[45] Date of Patent: **** Aug. 15, 1995**

[54] **CENTER ISLAND REFRIGERATED DISPLAY CASE**

[75] Inventors: **Donald H. Jones, Roebing, N.J.;**
William J. Kica, Third Lake, Ill.

[73] Assignee: **Falcon Manufacturing, Inc., Trenton, N.J.**

[**] Term: **14 Years**

[21] Appl. No.: **3,680**

[22] Filed: **Jan. 13, 1993**

[52] U.S. Cl. **D6/475**

[58] Field of Search **D6/438, 440, 441, 442, D6/470, 471, 472, 475; D15/81, 82, 83, 84, 85; 312/116, 137, 138.1, 140.1**

[56] **References Cited**

U.S. PATENT DOCUMENTS

D. 133,435	8/1942	Gunder	D6/470
D. 174,354	3/1955	Schild	D6/476
D. 180,163	4/1957	Schild	D6/438
D. 185,108	5/1959	Voorhies	D6/471
D. 202,595	10/1965	Carvel	D6/438

D. 236,668	9/1975	Muddle	D6/440
D. 276,963	1/1985	Ameduri	D6/470
D. 286,112	10/1986	Simmons	D6/475
3,162,495	12/1964	Swift	312/140.1 X
4,572,598	2/1986	Moore, Jr.	312/116 X

OTHER PUBLICATIONS

Food Furniture AD, pp. 6-7, X-4 Boxes design library.

Primary Examiner—Alan P. Douglas

Assistant Examiner—S. Snapp

Attorney, Agent, or Firm—Sperry, Zoda & Kane

[57] CLAIM

The ornamental design for a center island refrigerated display case, as shown and described.

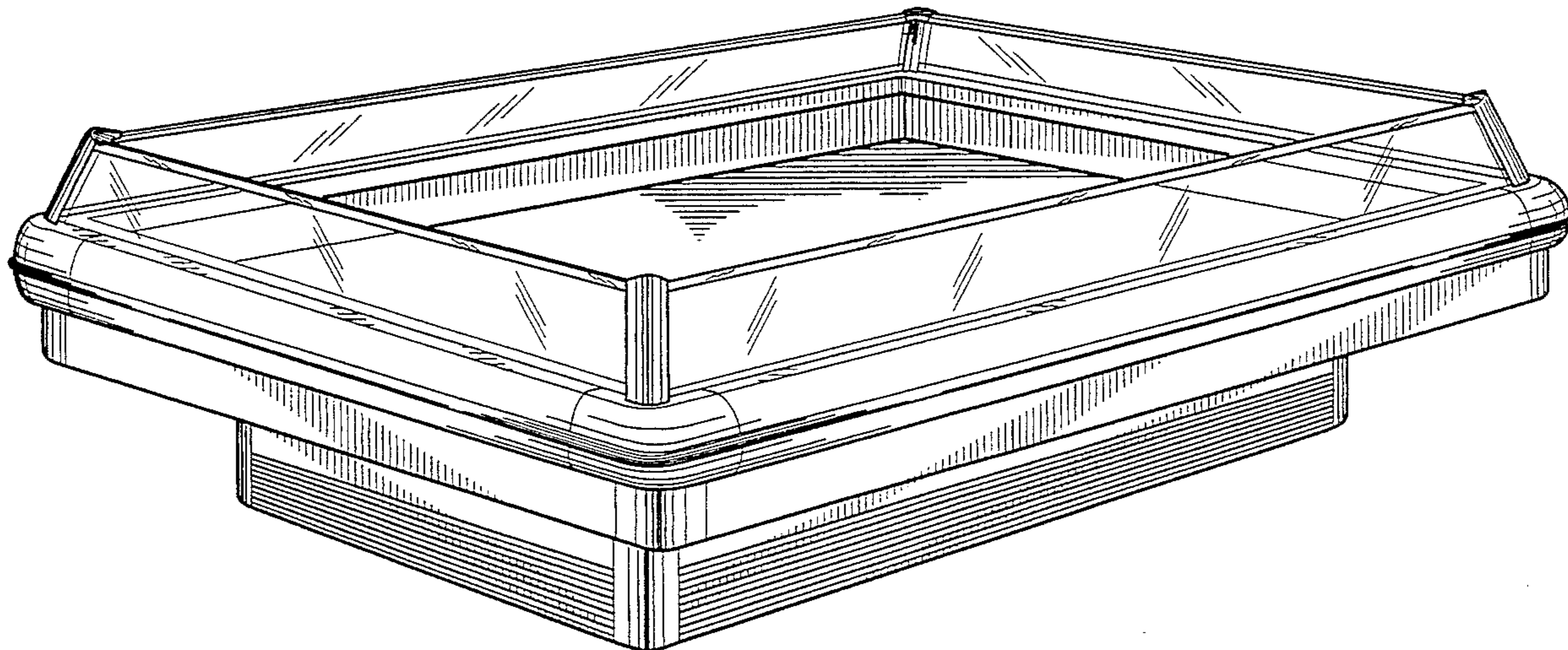
DESCRIPTION

FIG. 1 is a top three-quarter perspective illustration embodying our new design;

FIG. 2 is a top plan view;

FIG. 3 is a front plan view, the rear view being a mirror image thereof; and,

FIG. 4 is a side plan view, the opposite side being a mirror image thereof.



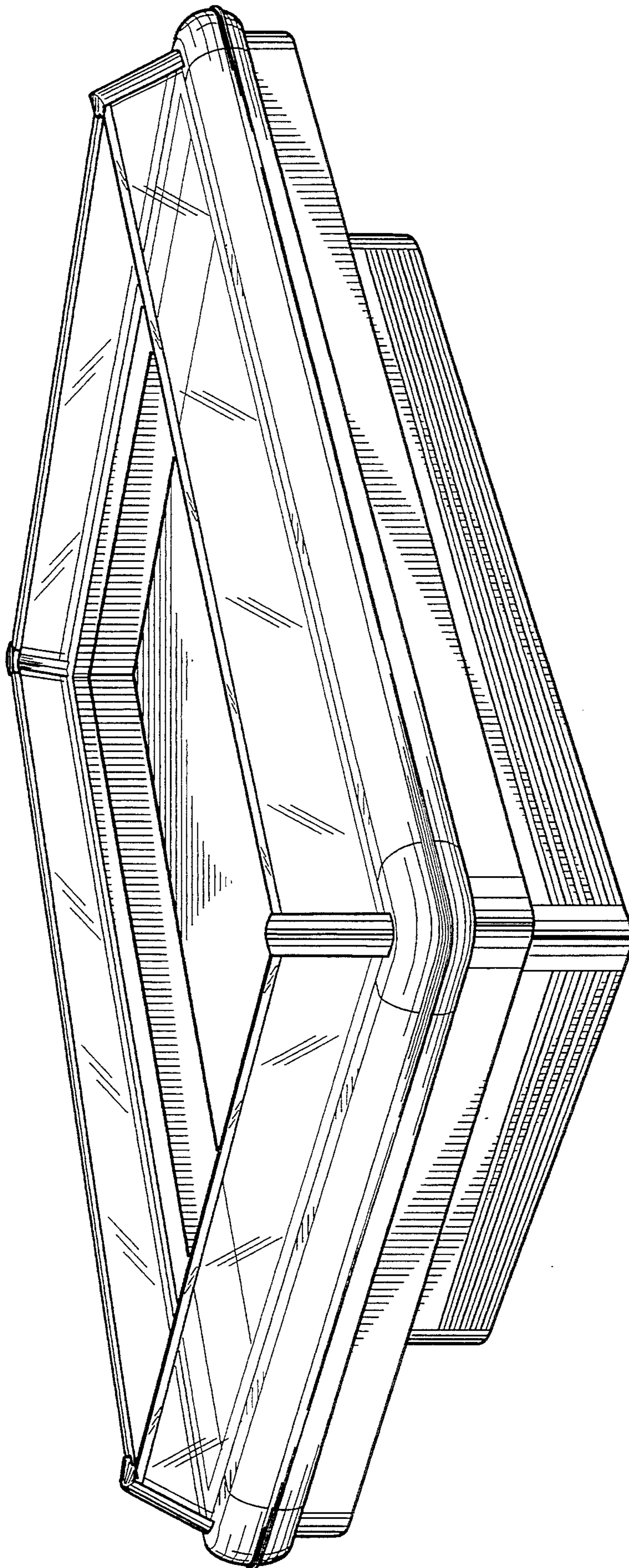


Fig. 1

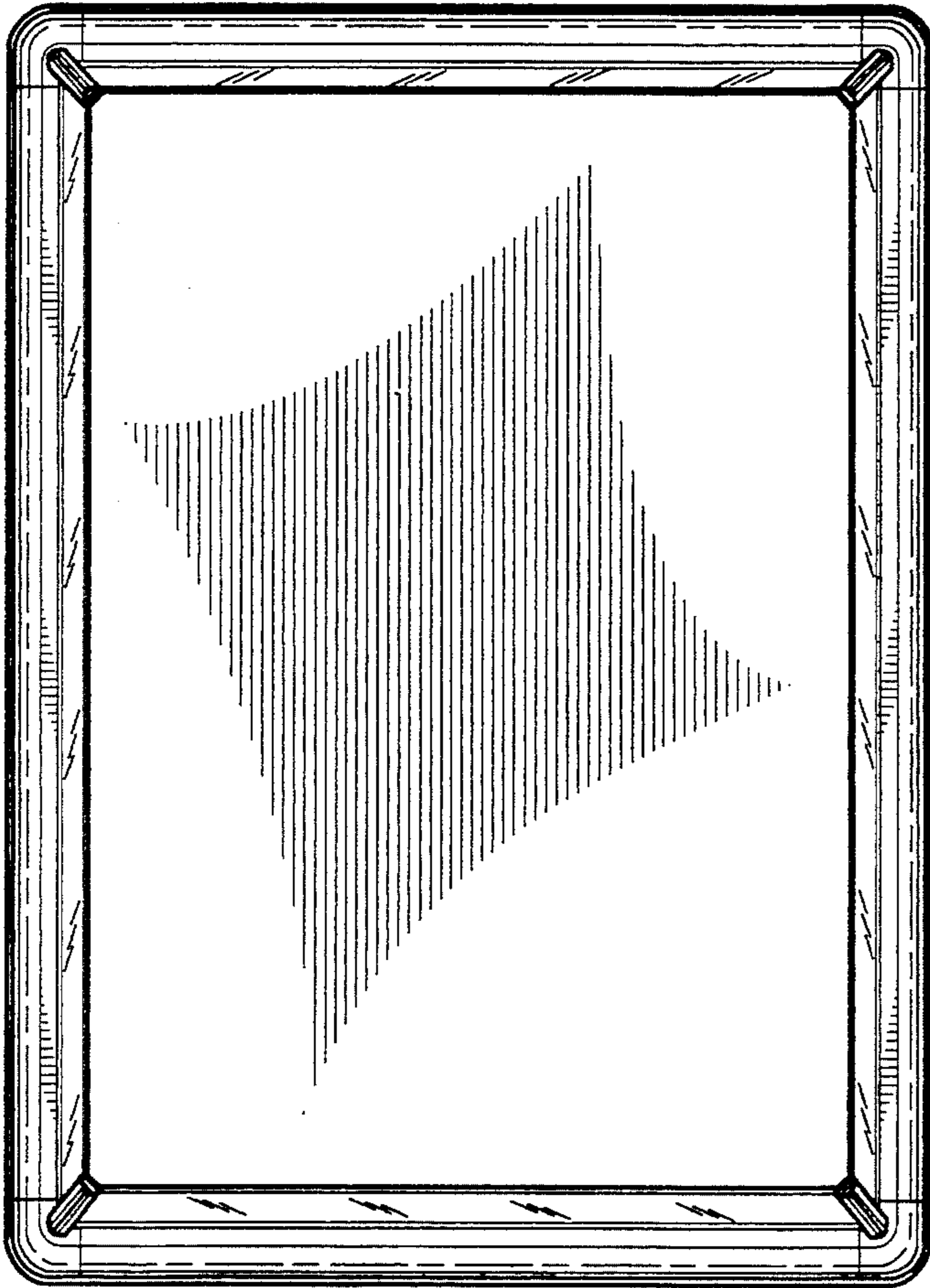


Fig. 2

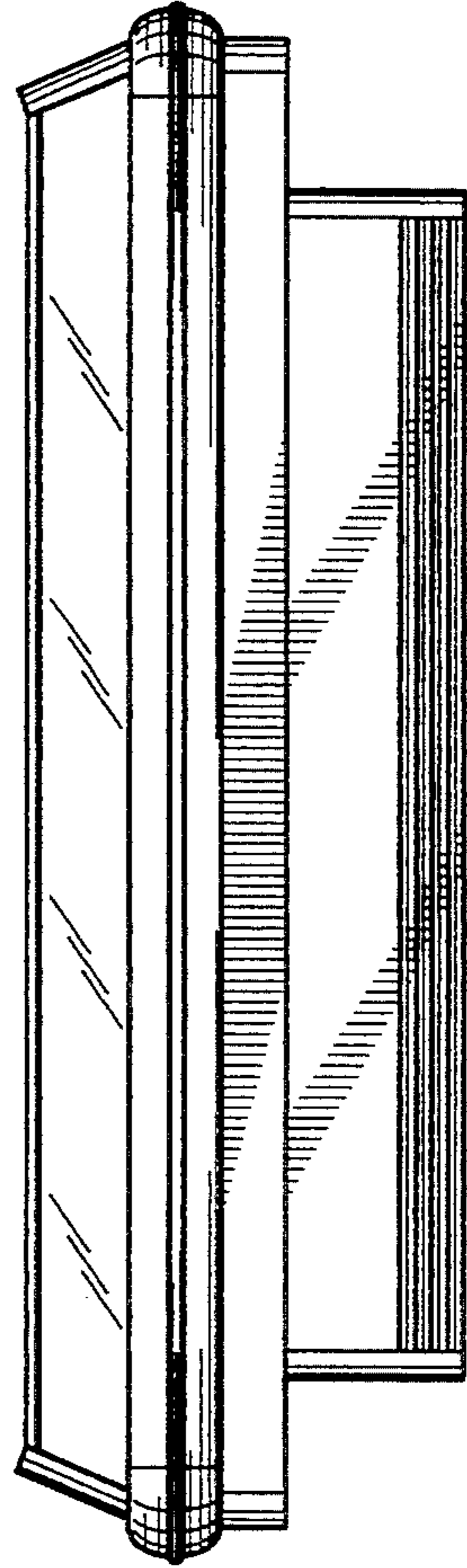


Fig. 3

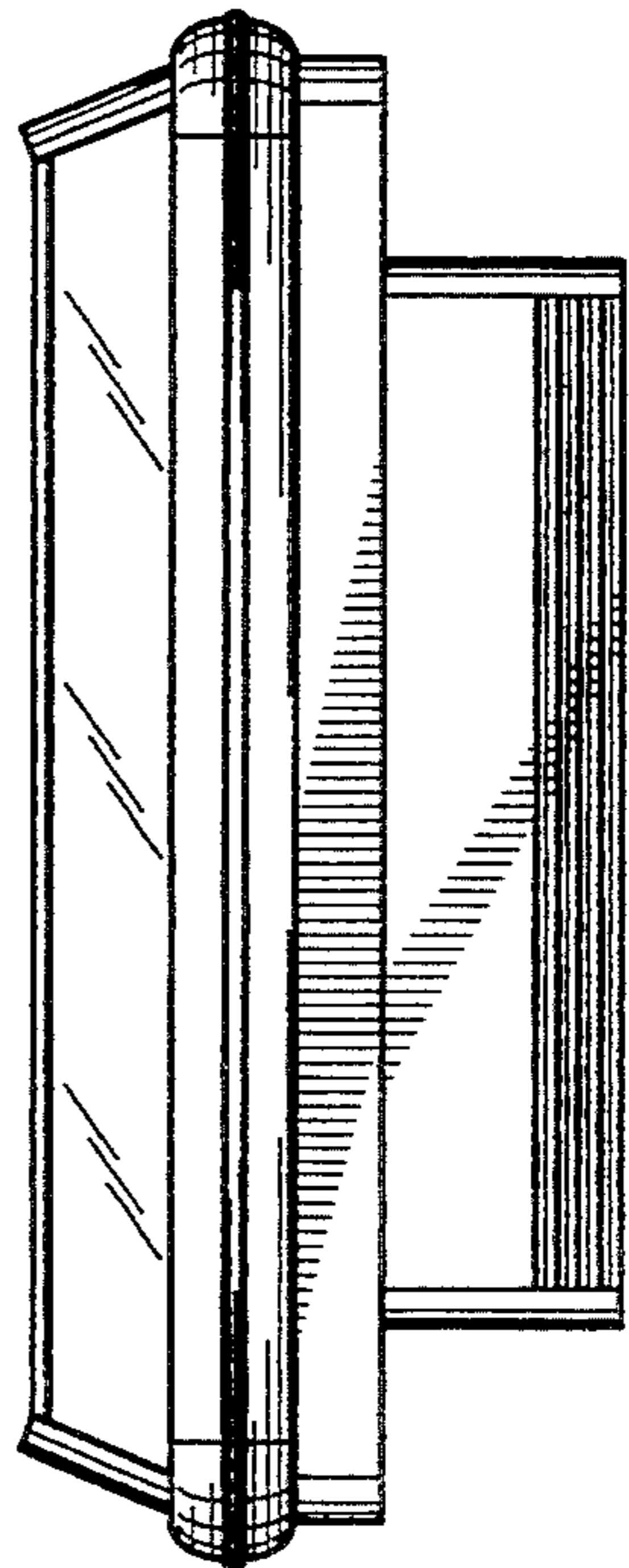


Fig. 4