



US00D361221S

United States Patent [19]

[11] Patent Number: **Des. 361,221**

Imai et al.

[45] Date of Patent: **** Aug. 15, 1995**

[54] **DISPLAY STAND**
[75] Inventors: **Toshitaka Imai**, Sagamihara, Japan;
Karen M. MacMurtrie, Austin, Tex.

4,687,167 8/1987 Skalka et al. 248/919 X
4,729,533 3/1988 Hillary et al. 248/919 X
5,037,054 8/1991 McConnell 248/918 X
5,398,903 3/1995 Cho 248/921 X

[73] Assignee: **International Business Machines Corporation**, Armonk, N.Y.

Primary Examiner—Alan P. Douglas
Assistant Examiner—S. Snapp
Attorney, Agent, or Firm—Paul S. Drake

[**] Term: **14 Years**

[57] **CLAIM**

[21] Appl. No.: **24,020**

The ornamental design for the display stand, as shown and described.

[22] Filed: **Jun. 6, 1994**

[52] U.S. Cl. **D6/449**

DESCRIPTION

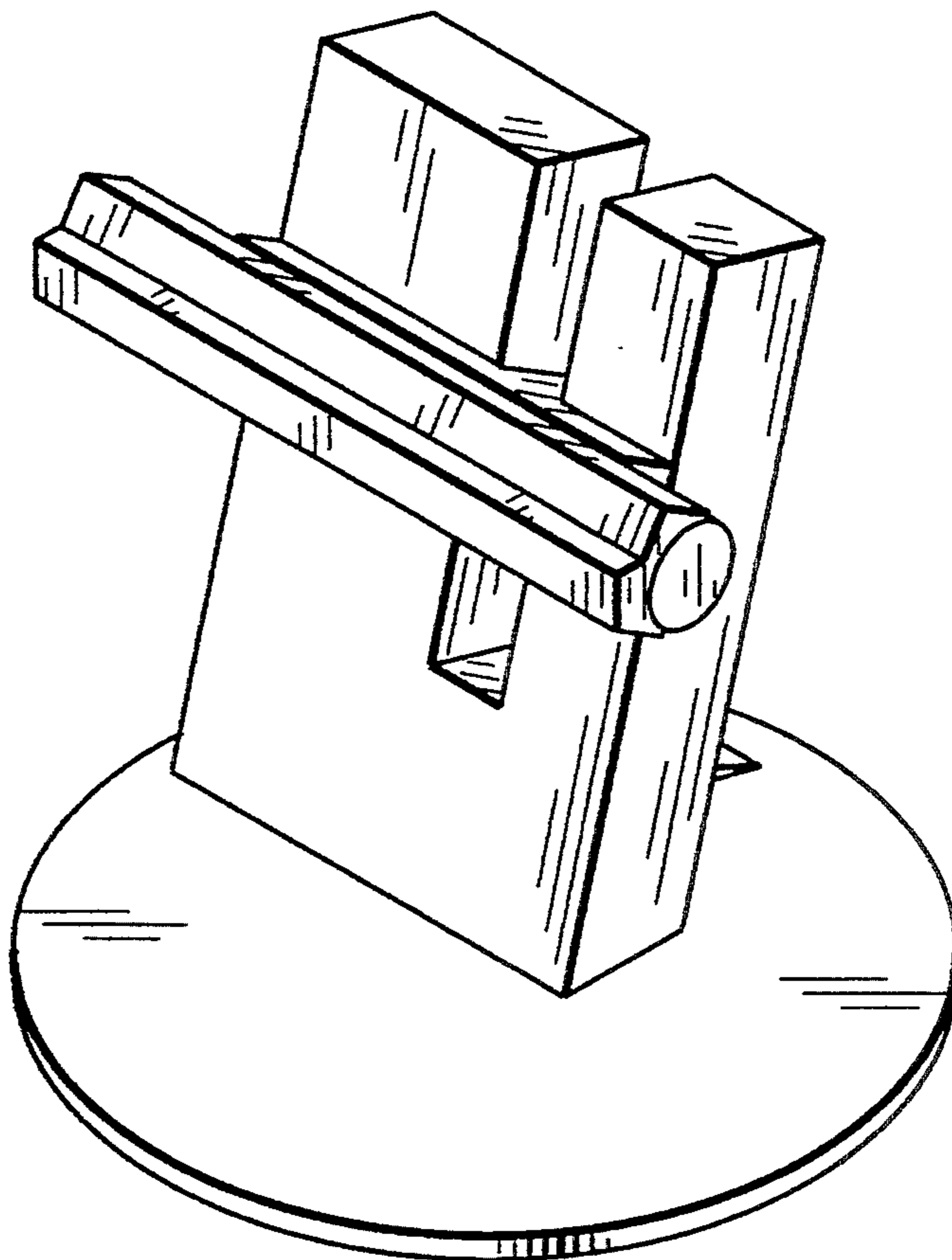
[58] Field of Search D6/396, 399, 449, 450,
D6/451, 466-469, 473-476, 429; 40/124, 124.1,
124.4; 248/127, 917, 918, 919, 920, 921, 922,
923, 924

FIG. 1 is a front plan view thereof;
FIG. 2 is a rear plan view thereof;
FIG. 3 is a top plan view thereof;
FIG. 4 is a bottom plan view thereof;
FIG. 5 is a right side plan view thereof;
FIG. 6 is a left side plan view thereof;
FIG. 7 is a top, front, right side perspective view thereof; and,
FIG. 8 is a top, rear, left side perspective view thereof.

[56] **References Cited**

U.S. PATENT DOCUMENTS

4,566,663 1/1986 Barchus 248/921 X
4,570,892 2/1986 Czech et al. 248/921 X



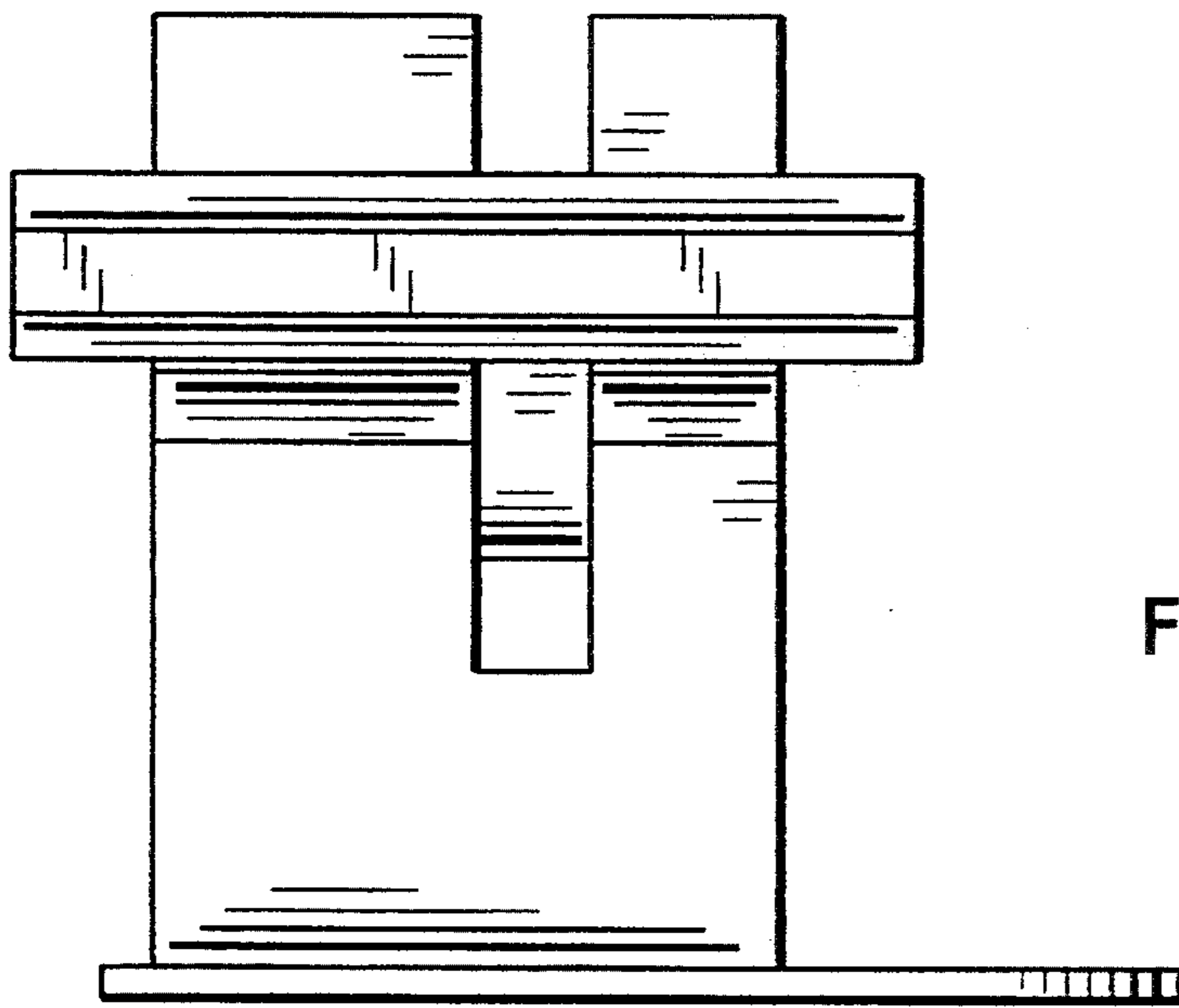
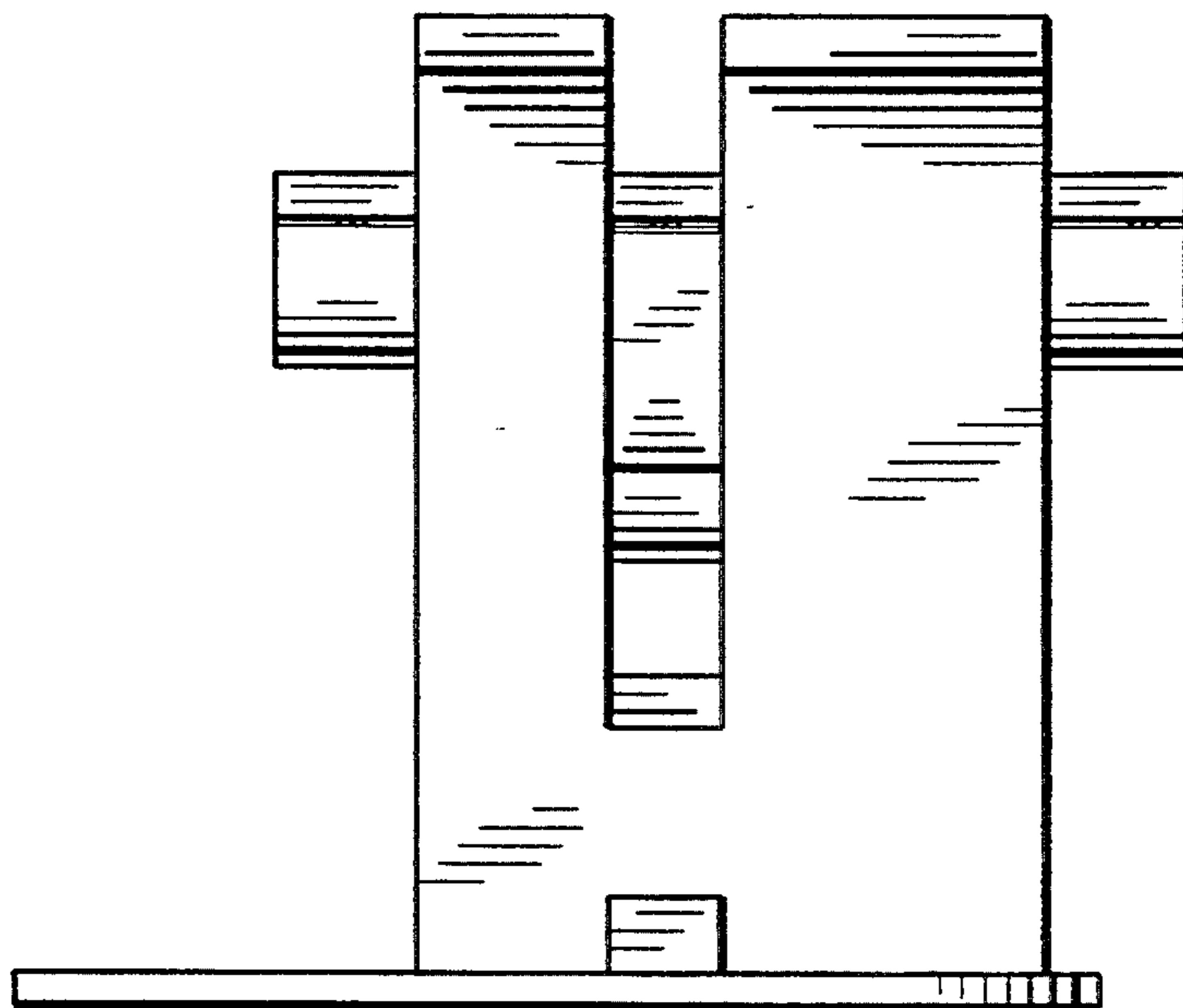


FIG. 1

FIG. 2



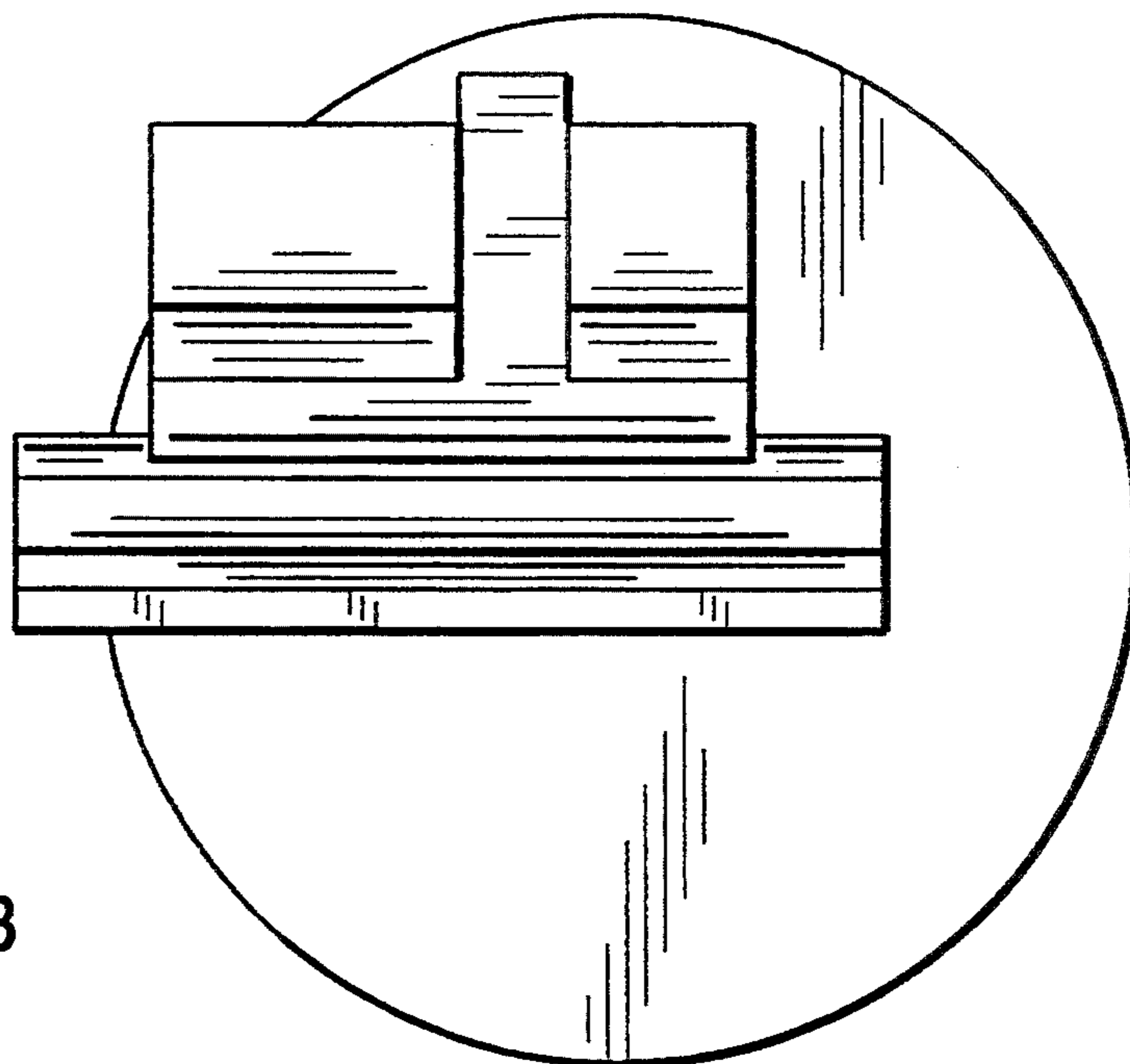


FIG. 3

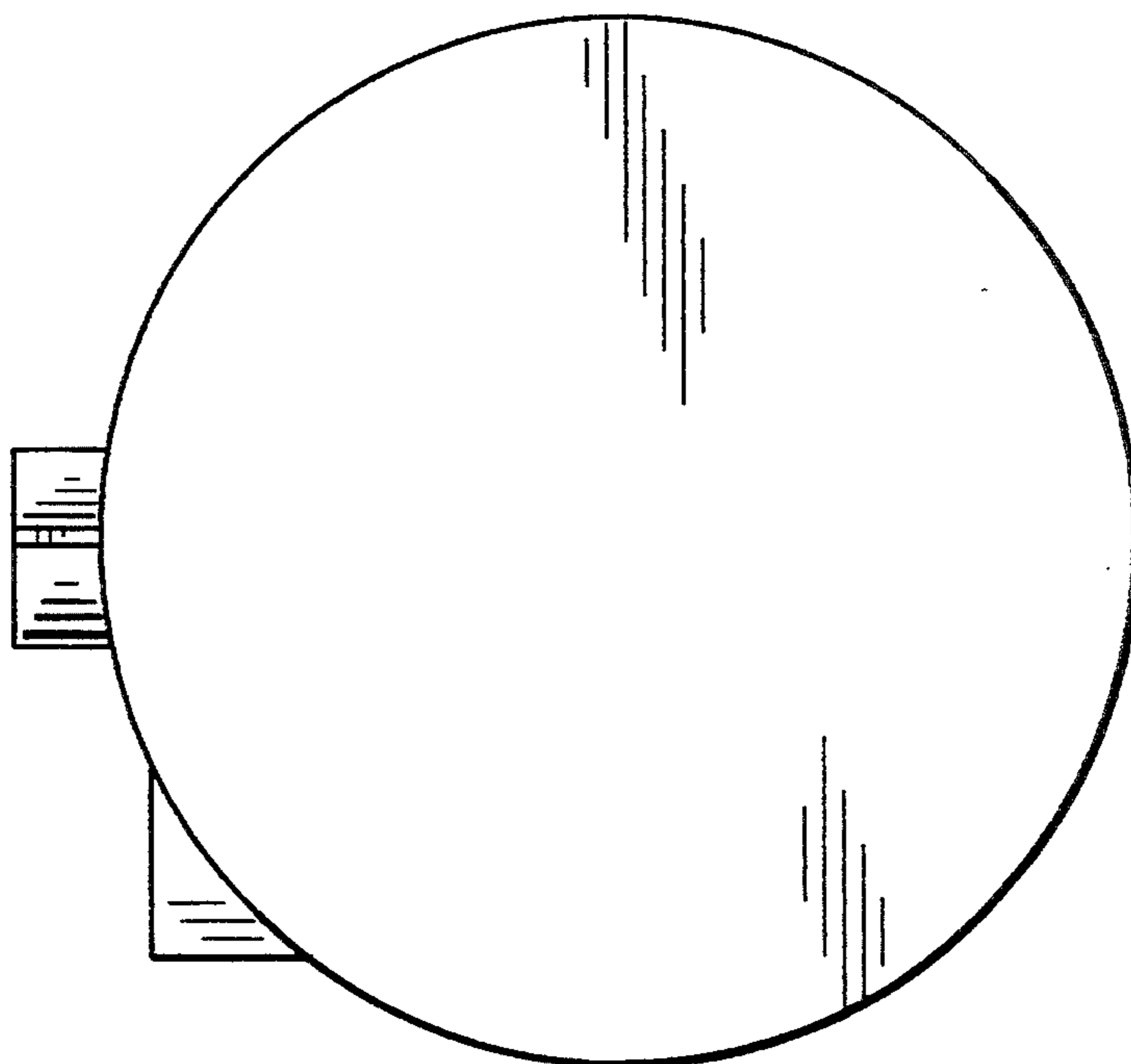


FIG. 4

FIG. 5

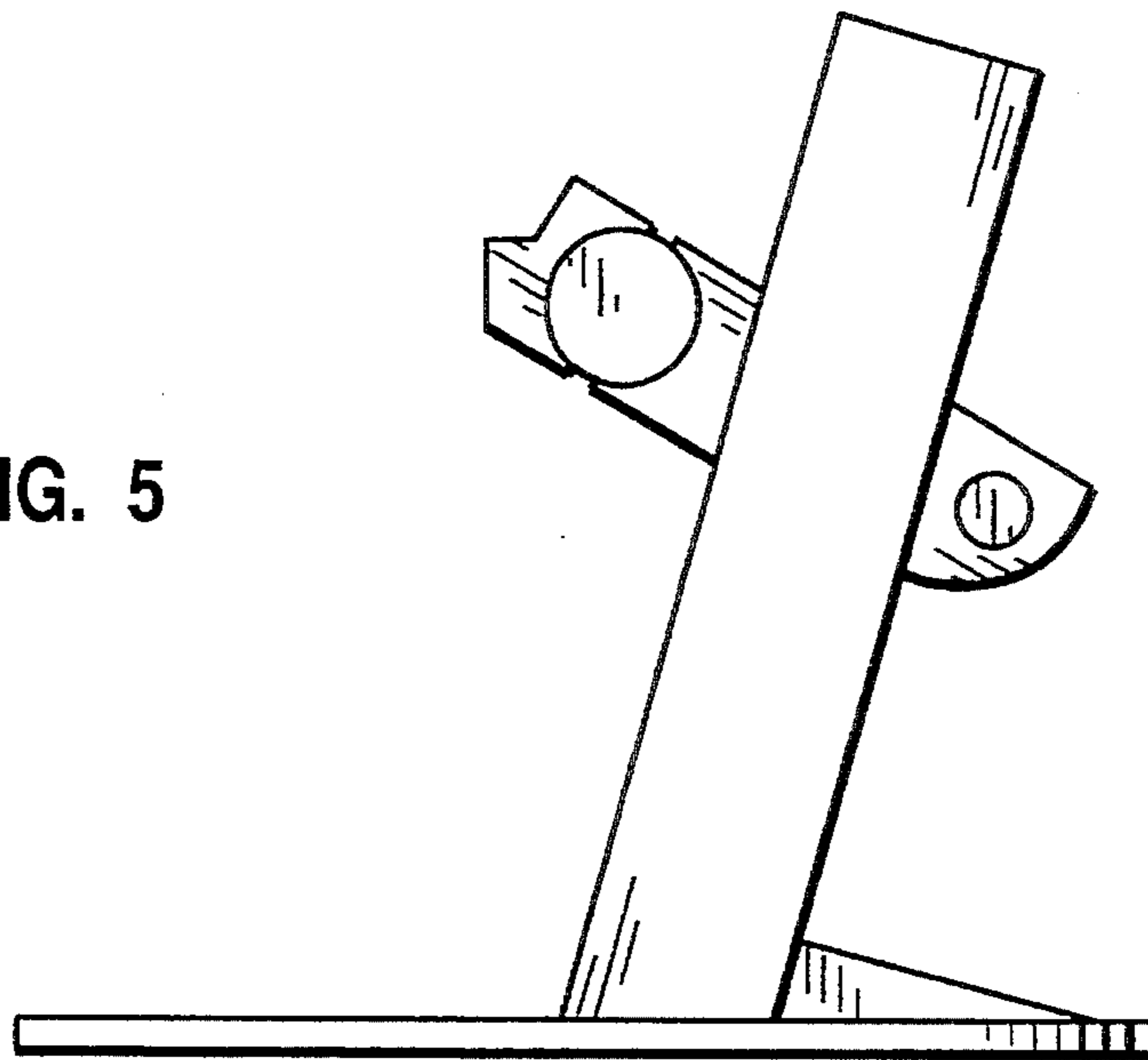
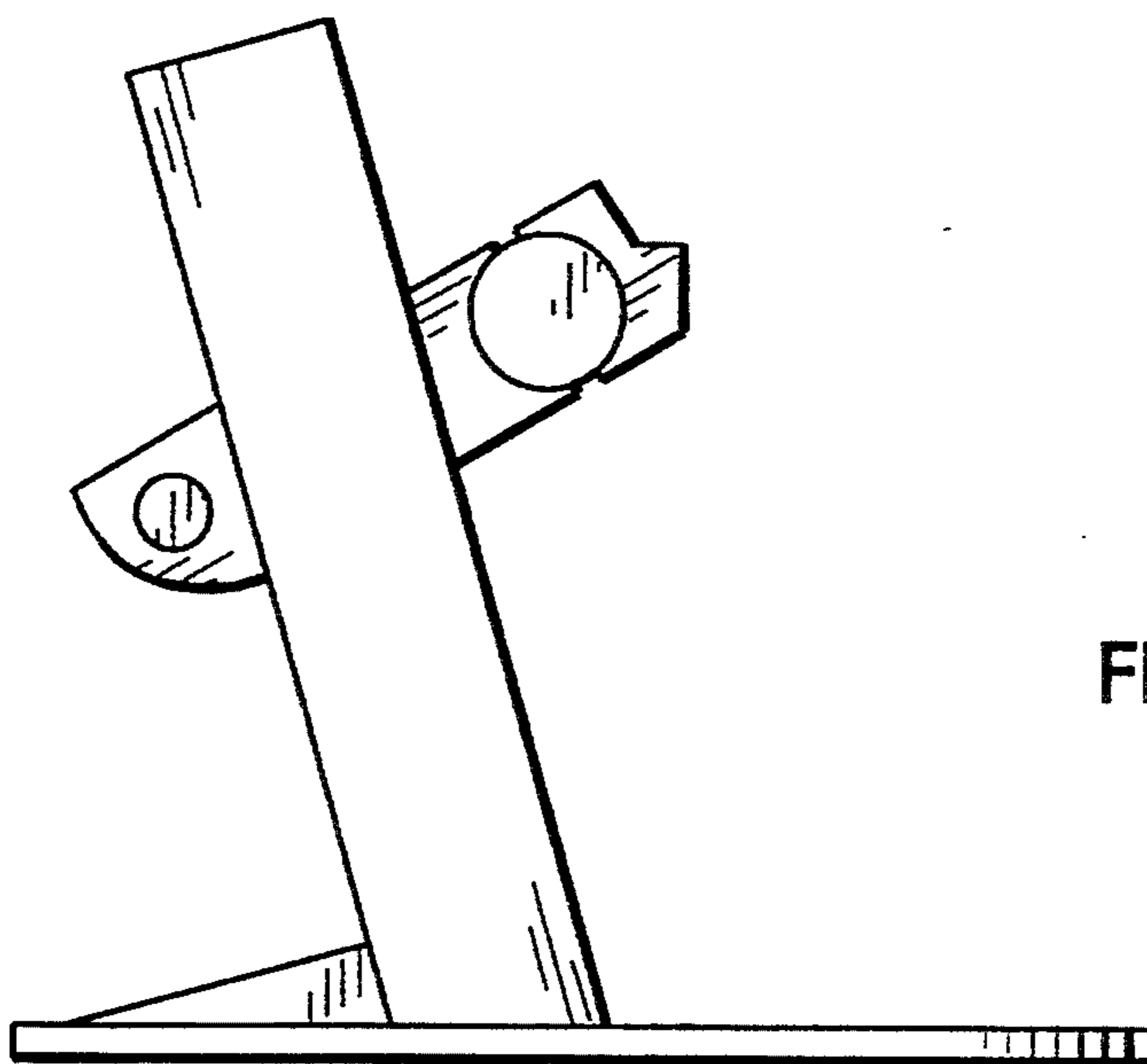


FIG. 6



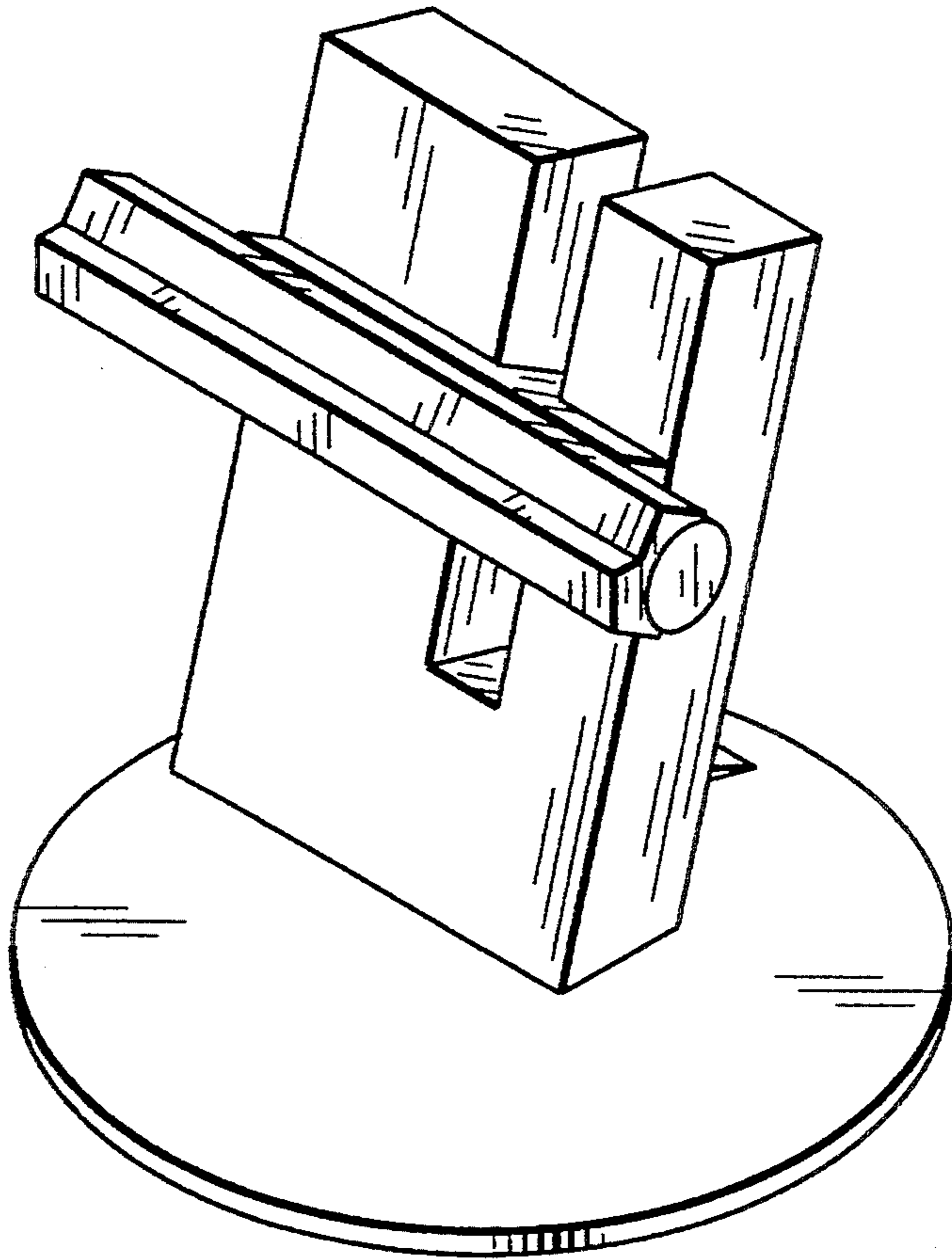


FIG. 7

FIG. 8

