



US00D361220S

United States Patent [19]

[11] Patent Number: **Des. 361,220**

Cacciola

[45] Date of Patent: **** Aug. 15, 1995**

[54] TOY BOX

D. 342,609 12/1993 Brightbill D3/294

[75] Inventor: **Joseph C. Cacciola, Hudson, Ohio**

OTHER PUBLICATIONS

[73] Assignee: **The Little Tikes Company, Hudson, Ohio**

Catalog Page, Storage Chest; Step 2 Corporation, Twinsburg, Ohio. Publication Date 1992.

[**] Term: **14 Years**

Pp. 118 & 120, Toy Boxes; The Little Tikes Company, 2180 Barlow Road, Hudson Ohio 44236. Publication Date 1992.

[21] Appl. No.: **12,435**

Primary Examiner—Alan P. Douglas

[22] Filed: **Sep. 1, 1993**

Assistant Examiner—Cathron B. Matta

[52] U.S. Cl. **D6/440; D21/121; D3/294**

Attorney, Agent, or Firm—Richard B. O'Planick; Lisa B. Riedesel

[58] Field of Search **D6/440, 432, 396, 434, D6/441, 448; D21/121, 123; D3/294**

[57] CLAIM

[56] References Cited

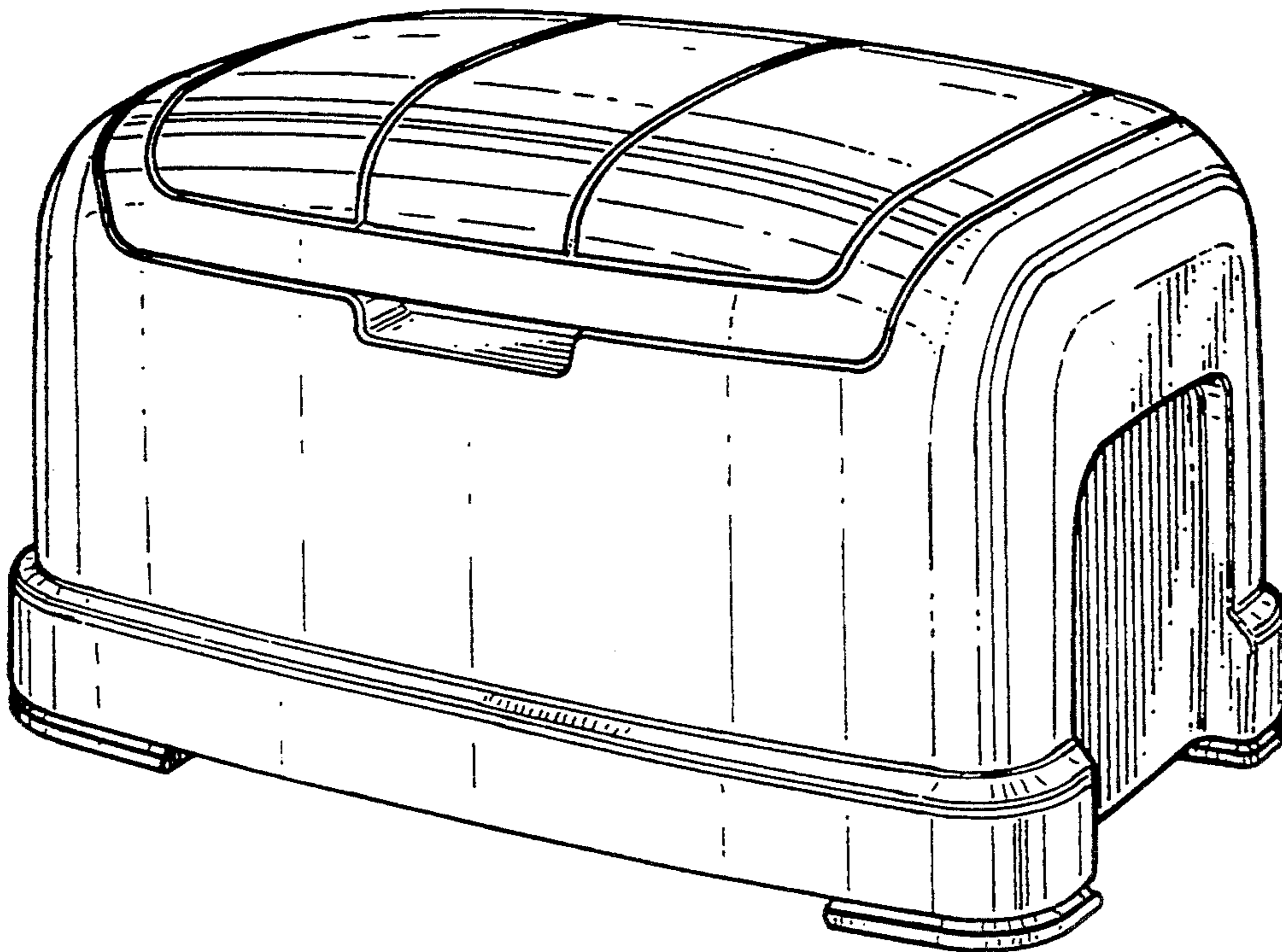
The ornamental design for a toy box, as shown and described.

U.S. PATENT DOCUMENTS

DESCRIPTION

- D. 131,977 4/1942 Miller D6/401
- D. 269,196 5/1983 Appel et al. D21/121
- D. 276,741 12/1984 Appel et al. D21/121
- D. 286,658 11/1986 Veness D21/121
- D. 293,746 1/1988 Sayward D6/448
- D. 328,676 8/1992 Miller D6/396 X
- D. 329,747 9/1992 Embree D3/78
- D. 334,662 4/1993 Van Berne D3/70
- D. 339,934 10/1993 Reuter D6/441

FIG. 1 is a top right front perspective view of a toy box showing my new design;
 FIG. 2 is a front elevational view thereof; the rear elevational view being a mirror image;
 FIG. 3 is a top plan view thereof;
 FIG. 4 is a bottom plan view thereof; and,
 FIG. 5 is a left side elevational view thereof; the right side elevational view being a mirror image.



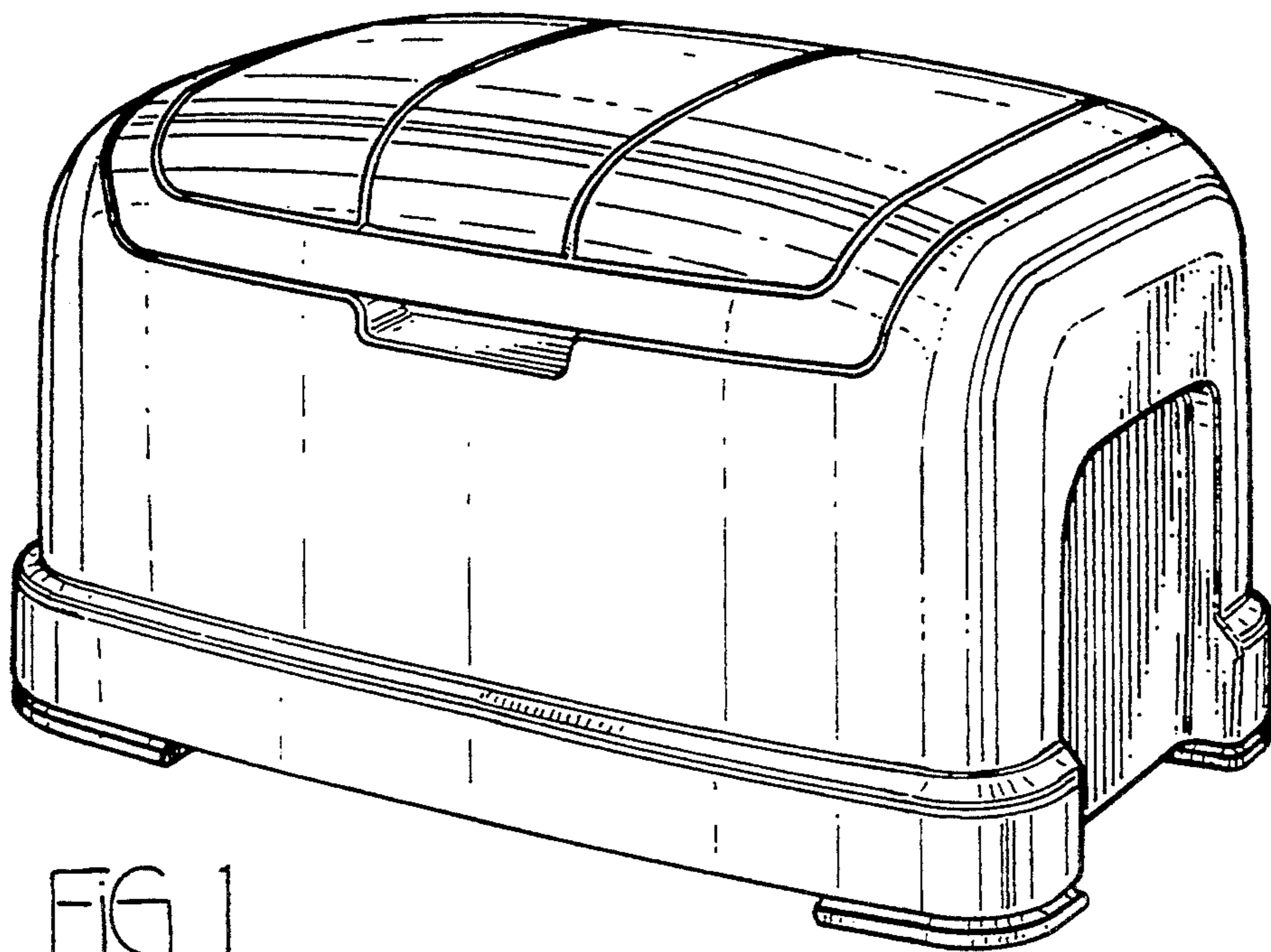


FIG. 1

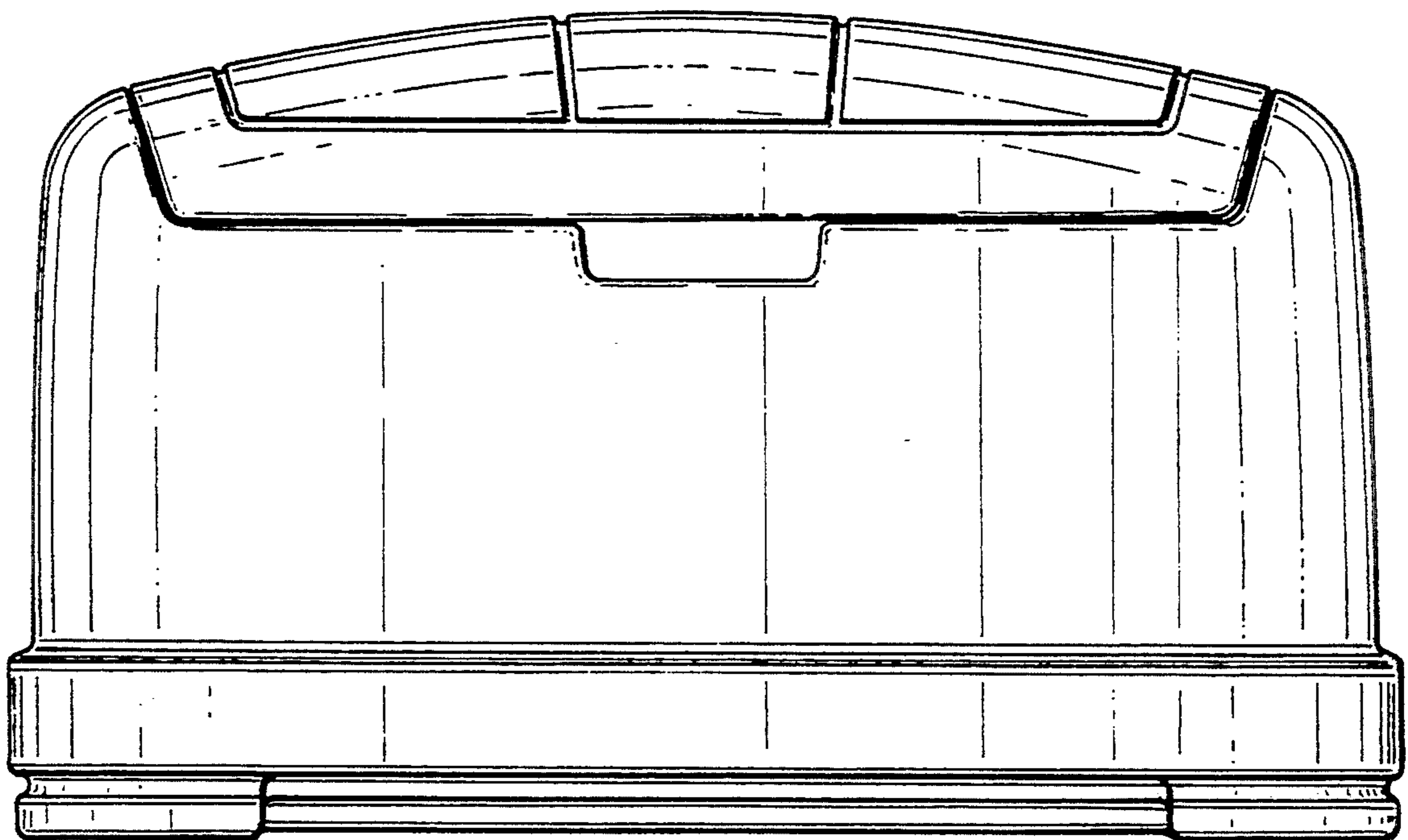


FIG. 2

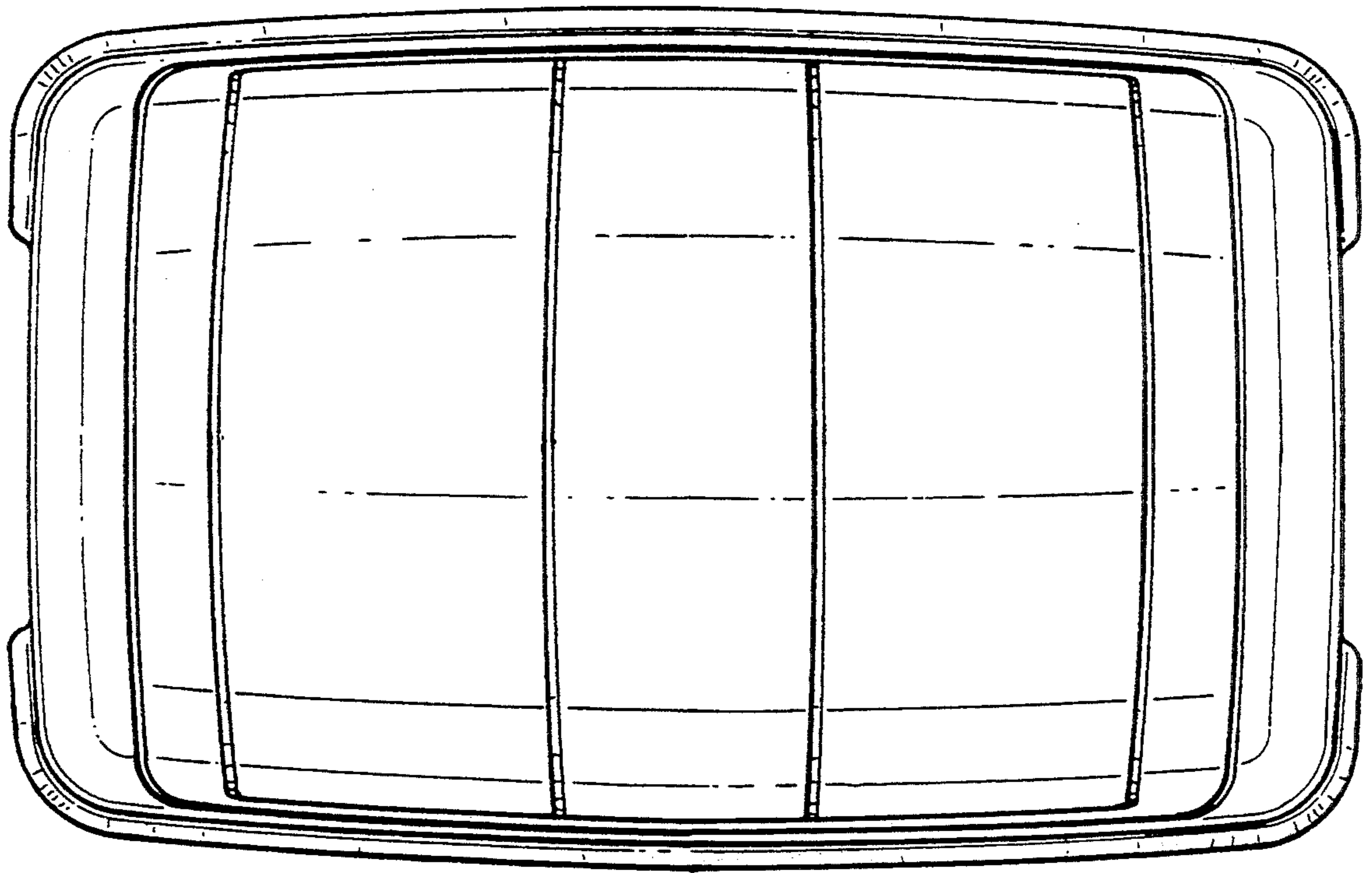


FIG. 3

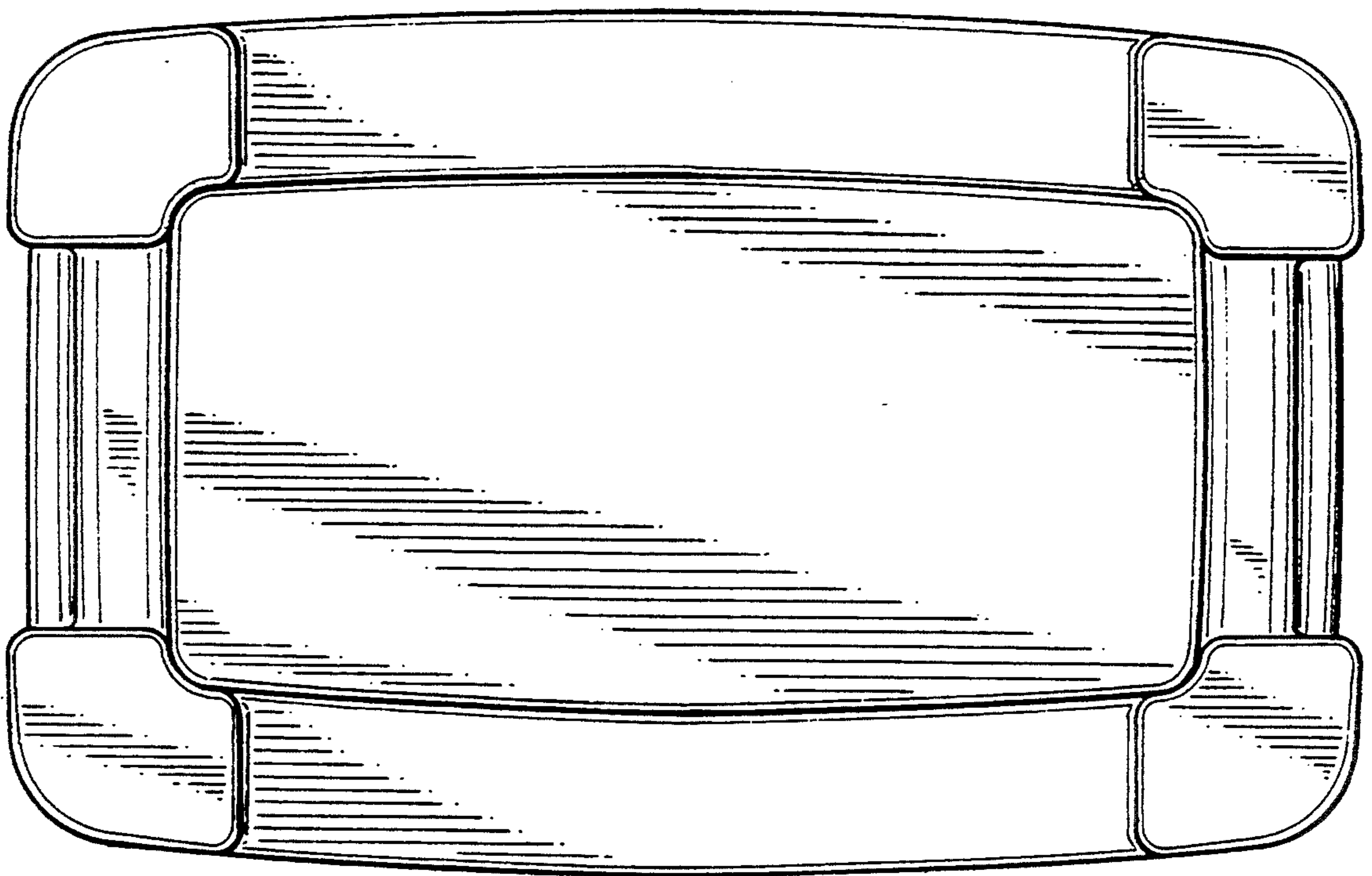


FIG. 4

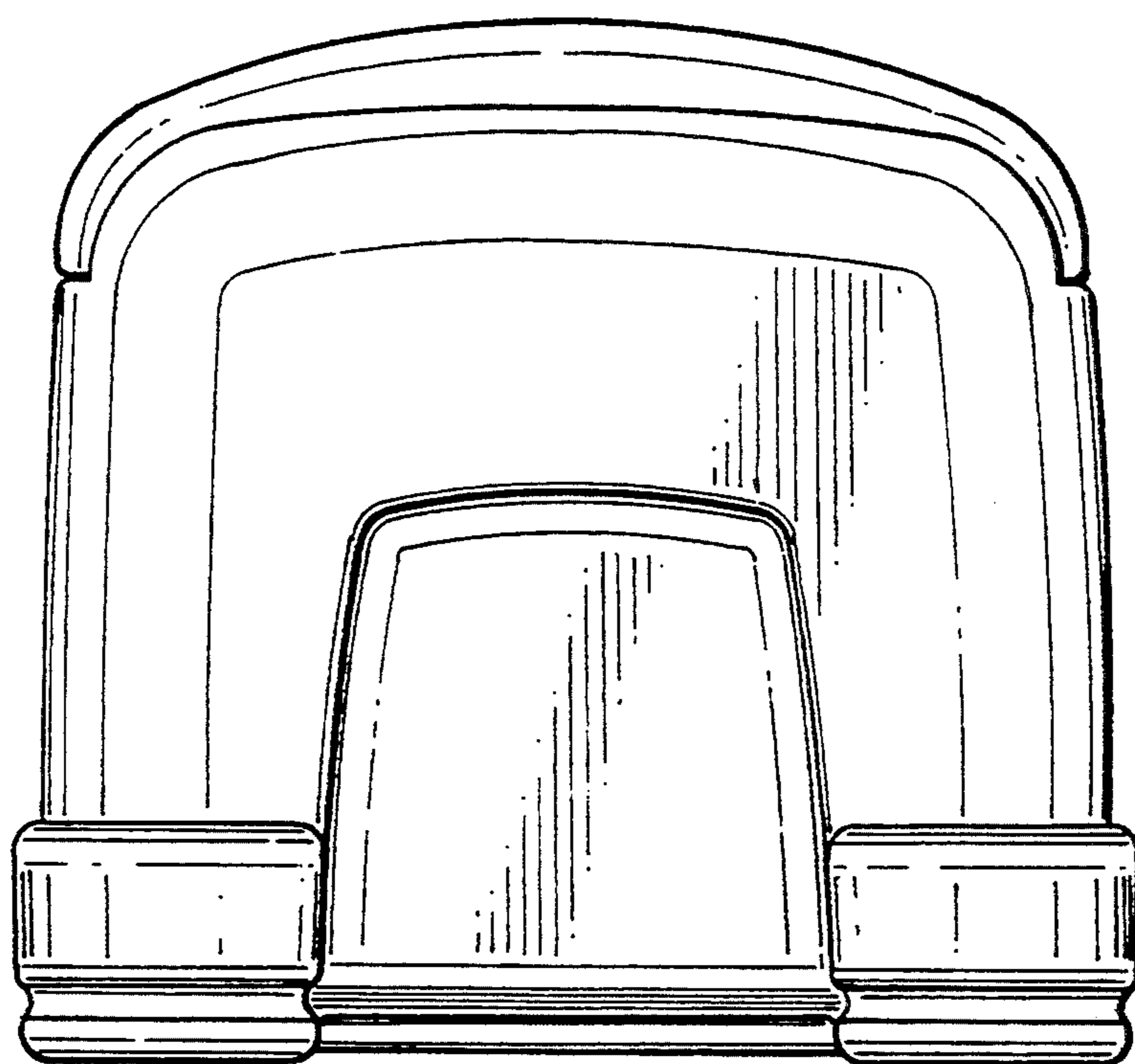


FIG. 5