



US00D361218S

United States Patent [19]

[11] Patent Number: **Des. 361,218**

Hassel et al.

[45] Date of Patent: **** Aug. 15, 1995**

[54] **COMPUTER DESK**

[75] Inventors: **H. Charles Hassel**, Hollywood;
Hector R. Santos, Los Angeles, both
of Calif.

[73] Assignee: **MicroComputer Accessories, Inc.**,
Los Angeles, Calif.

[**] Term: **14 Years**

[21] Appl. No.: **10,675**

[22] Filed: **Jul. 15, 1993**

[52] U.S. Cl. **D6/425; D6/428**

[58] Field of Search **D6/422-428,**
D6/338, 341, 429-431; 312/194-196; 108/1, 8

[56] **References Cited**

U.S. PATENT DOCUMENTS

D. 218,027	7/1970	Obermeyer	D6/338
D. 239,488	4/1976	Sandefur	.	
D. 250,380	11/1978	Verdesca	.	
D. 258,789	4/1981	Verdesca	.	
D. 279,740	7/1985	Slager	D6/478
D. 281,297	11/1985	Easlinger	D6/484
D. 284,532	7/1986	Vogt	D6/428
D. 289,114	4/1987	Dickson	D6/421
D. 303,188	9/1989	Risom	D6/426
D. 306,105	2/1990	Newhouse	D6/420
D. 318,768	8/1991	Westland et al.	D6/422
D. 320,320	10/1991	van Ditshuizen	D6/422
D. 335,225	5/1993	Ugalde	D6/425
943,794	12/1909	Schranner	.	
2,219,762	10/1940	Burdick et al.	312/39
2,675,288	4/1954	Usher	312/194
3,183,860	5/1965	Kritske	108/2
3,635,174	1/1972	Ball et al.	108/150
3,758,182	9/1973	Barecki et al.	312/194
3,882,795	5/1976	Korell	108/1

(List continued on next page.)

OTHER PUBLICATIONS

Catalog page, Desk; General, Buromobelfabrik GmbH,
Warringstrabe 250, Postfach 170108, D-4300 Essen 17,
Publication Date 1985.

Catalog page, Desk; Atlanta, adress unknown. Publica-
tion Date 1978.

Pp. 8, 68, 70, Desks; Global Computer Supplies, 9139
Hemlock Dr., Hempstead, N.Y. 11550. Publication
Date 1984.

Pp. 142-147, 149, 151, 153-156, 158-163, 165-170;
Global Computer Supplies, 9139 Hemlock Dr., Hemp-
stead, N.Y. 11550. Publication Date Jan. 1992.

Pp. 110-114, 116-120, 122, 123, 127; Visible, A Subsid-
iary of Wallace Computer Services Inc., 1750 Wallace
Ave., St. Charles, Ill. 60174. Publication Date 1992.

Catalog page, Desk; Balt, Inc., P.O. Box 47092, Dallas,
Texas, 75247-1492. Publication Date Mar. 1, 1986.

Sell Sheet, Desk; Mocas, Rijnsburgstraat 11, 1059 AT,
Amsterdam; It is believed that the product depicted
herein has been on sale for more than one (1) year prior
to the application date of this instant application.

Catalog page, Desk; A Nestler, Verkaufsgesellschaft
mbH & Co., Postfach 1920, 7630 Lahr/Schwarzwald. It
is believed that the product depicted herein has been on
sale for more than one (1) year prior to the application
date of this instant application.

Catalog page, Desk; Steelecase, address unknown. It is
believed that the product depicted herein has been on
sale for more than one (1) year prior to the application
date of this instant application.

(List continued on next page.)

Primary Examiner—Carmen H. Vales-Lado

Attorney, Agent, or Firm—Richard B. O'Planick; Lisa B.
Riedesel

[57] **CLAIM**

The ornamental design for a computer desk, as shown
and described.

DESCRIPTION

FIG. 1 is a top right front perspective view of a com-
puter desk showing our new design;

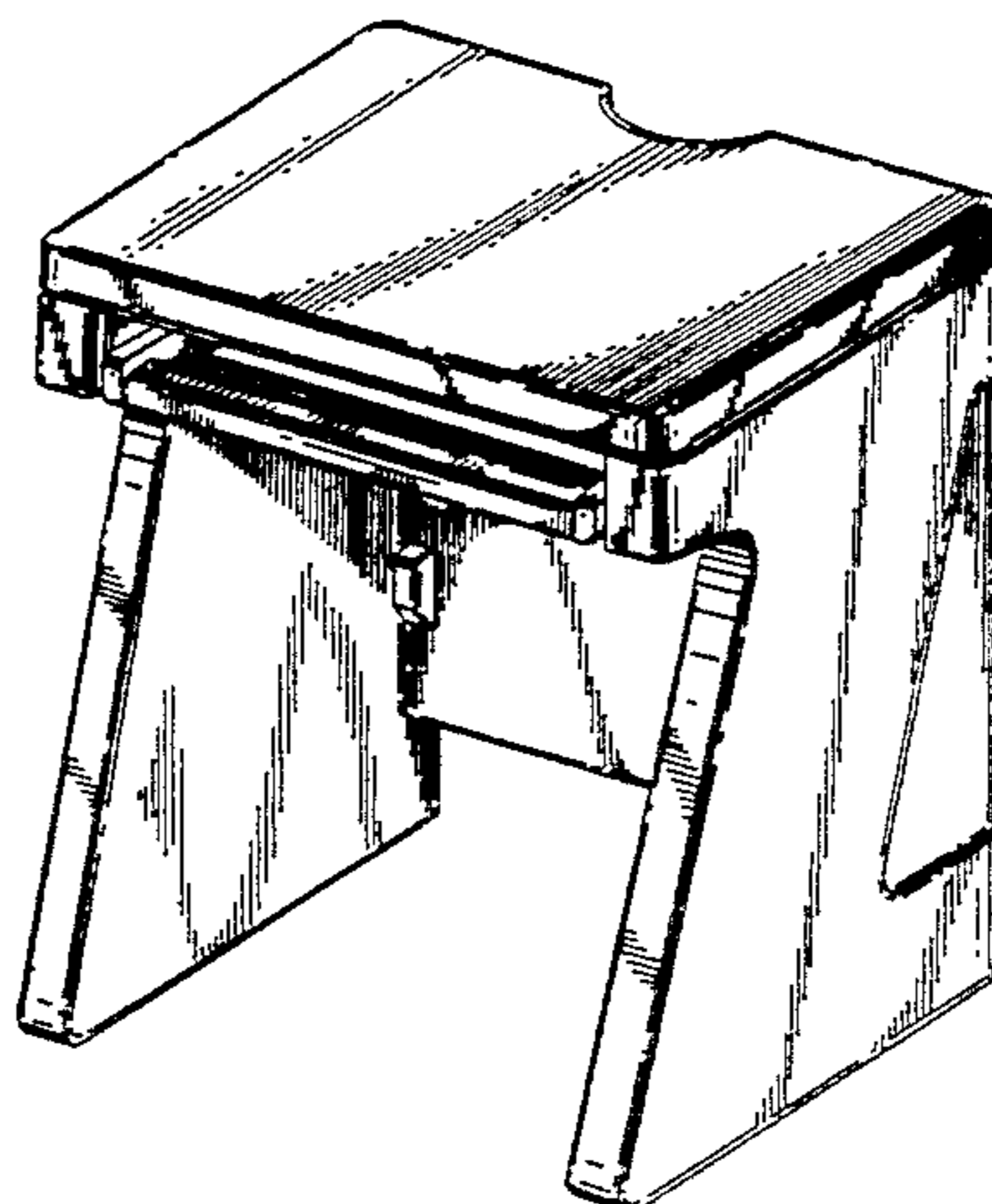
FIG. 2 is a top plan view thereof;

FIG. 3 is a front elevational view thereof;

FIG. 4 is a left side elevational view thereof; the right
side elevational view being a mirror image;

FIG. 5 is a rear elevational view thereof; and,

FIG. 6 is a bottom plan view thereof.



U.S. PATENT DOCUMENTS

4,047,774	9/1977	Hanning	312/231
4,313,112	1/1982	Foster	340/700
4,314,407	2/1982	Kawahara .	
4,325,596	4/1982	Bell	312/194
4,345,803	8/1982	Heck	312/194
4,437,411	3/1984	Maxwell	108/1
4,443,046	4/1984	Hannah	312/83
4,458,961	7/1984	Browing	312/196
4,515,086	5/1985	Kwiecinski	108/96
4,632,345	12/1986	Barley	248/174
4,637,666	1/1987	Worrell et al.	312/196
4,755,009	7/1988	Price et al.	312/196
4,920,458	4/1990	Jones	362/33
4,947,763	8/1990	Piorek	108/8

OTHER PUBLICATIONS

Catalog page, Desk; Steelecase, address unknown. It is believed that the product depicted herein has been on sale for more than one (1) year prior to the application date of this instant application.

Pp. 213-215, 219, 221, 222, 224, 225, 228, Desks; Inmac, 2465 Augustine Dr., P.O. Box 58031, Santa Clara, Calif. 95052-8031. Publication Date 1992.

Pp. 214, 215, 216, Desks; Inmac, 2465 Augustine Dr., P.O. Box 58031, Santa Clara, Calif. 95052-8031. Publication Date Nov. 1987.

Pp. 81, 85, 91, Desks; Misco, One Misco Plaza, Holmdel, N.J. 07733. Publication Date Apr. 1992.

Catalog page, Desk; Phillips Electronic Office System, address unknown. It is believed that the product depicted herein has been on sale for more than one (1) year prior to the application date of this instant application. Catalog page, Desk; Phillips Electronic Office System, address unknown. It is believed that the product depicted herein has been on sale for more than one (1) year prior to the application date of this instant application. Pp. 60, 61, 74, 78, 79, 82, 83, 84, 86, 87; United Stationers Supply Company, 2200 East Golf Road, Des Plaines Ill. 60016. Publication Date 1988.

Catalog page, Desk; Nebs Computer Forms Catalog, address unknown. Publication Date Summer 1983.

Catalog page, Desk; Input-ez Corporation, 555 Quivas St., Denver, Co. 80204. Publication Date 1989.

Catalog page, Desk; Input-ez Corporation, 555 Quivas St., Denver, Co. 80204. Publication Date 1989.

P. 68, Desk; Uarco Business Products, Uarco Incorporated, 121 N. 9th St., DeKalb, Ill. 60115. Publication Date 1983.

Pp. 72, 75, 76, 77, 78, 80, 81, 83; Uarco Business Products, Uarco Incorporated, 121 N. 9th St., DeKalb, Ill. 60115. Publication Date 1992.

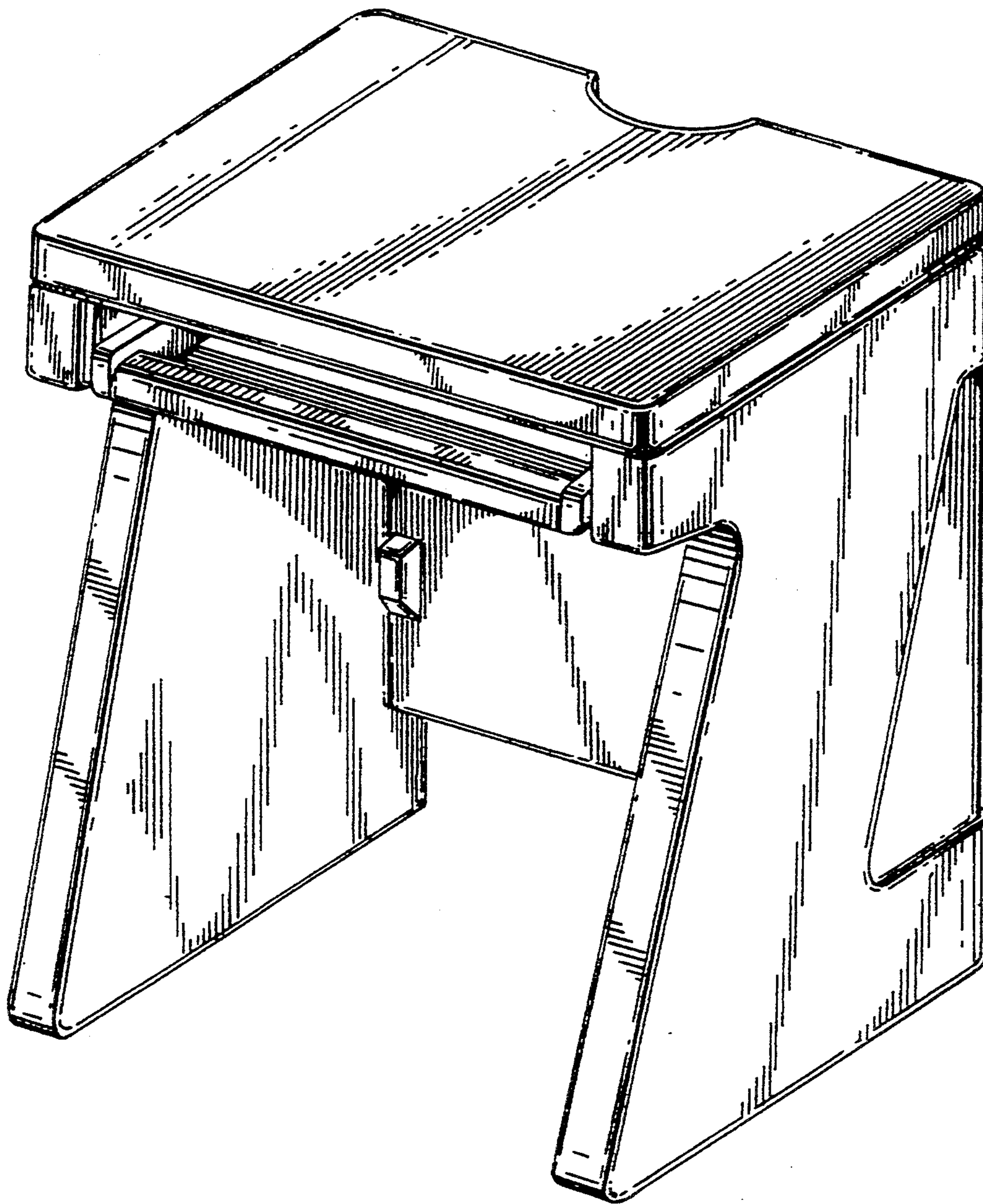


FIG. 1

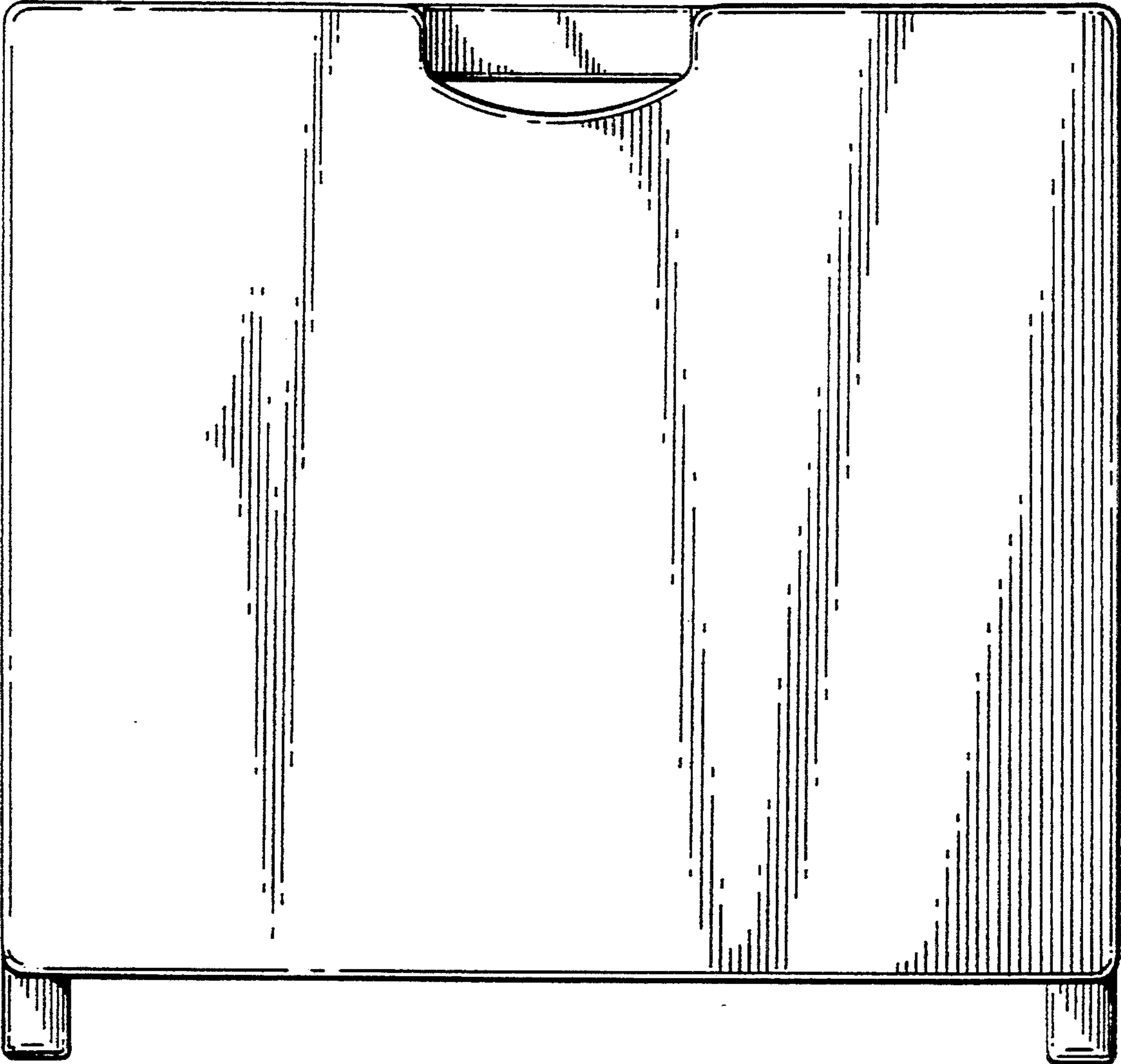


FIG. 2

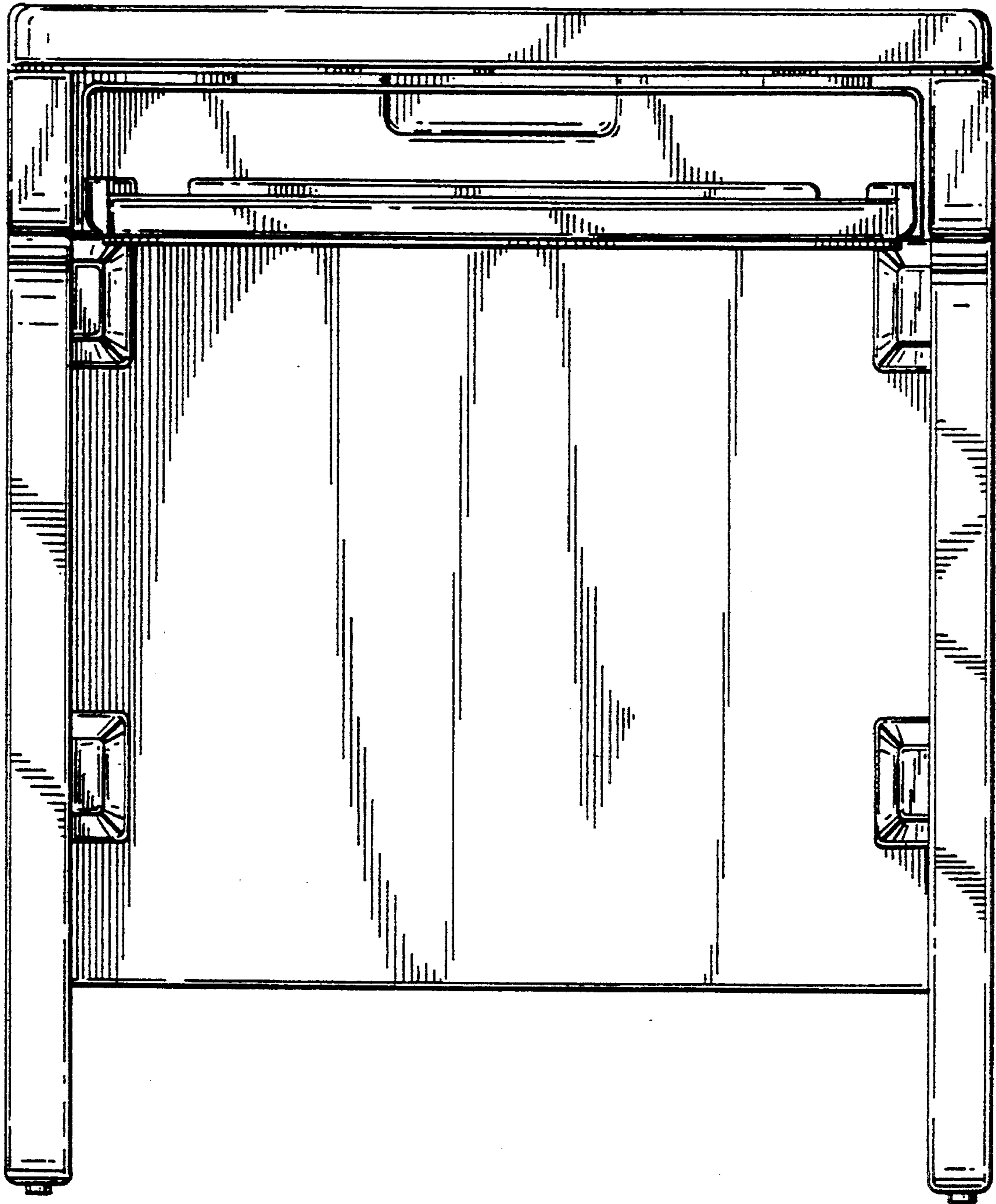


FIG. 3

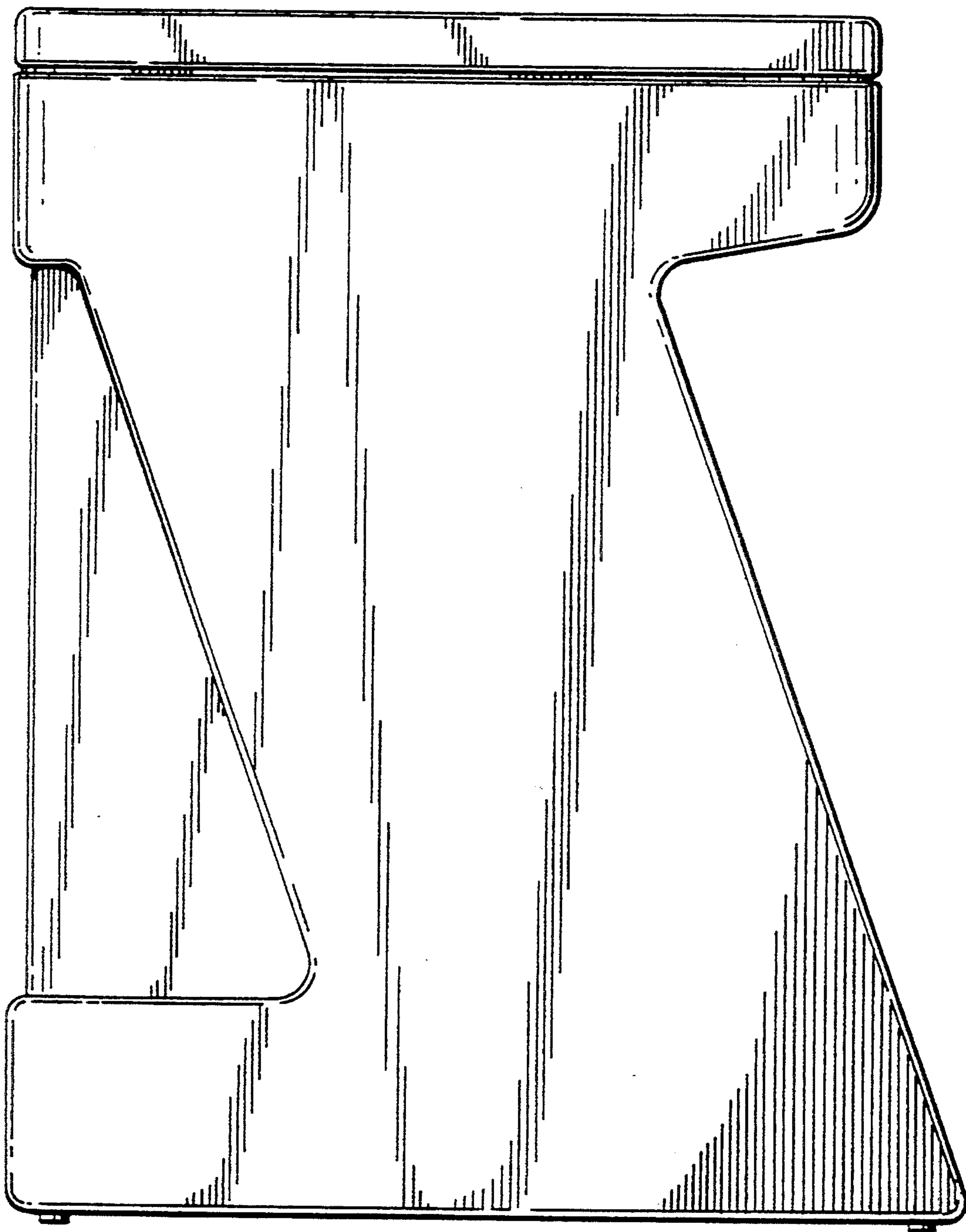


FIG. 4

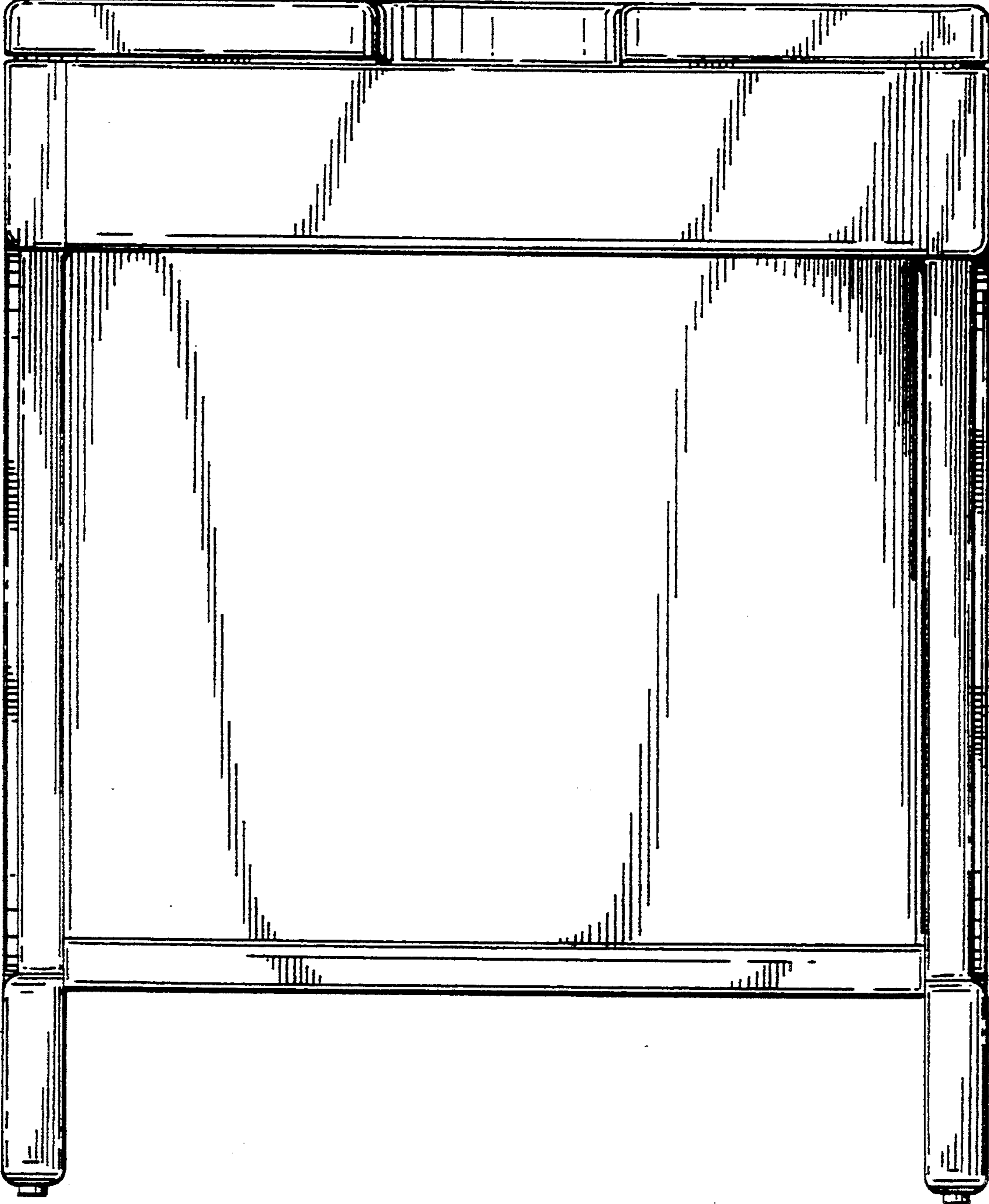


FIG. 5

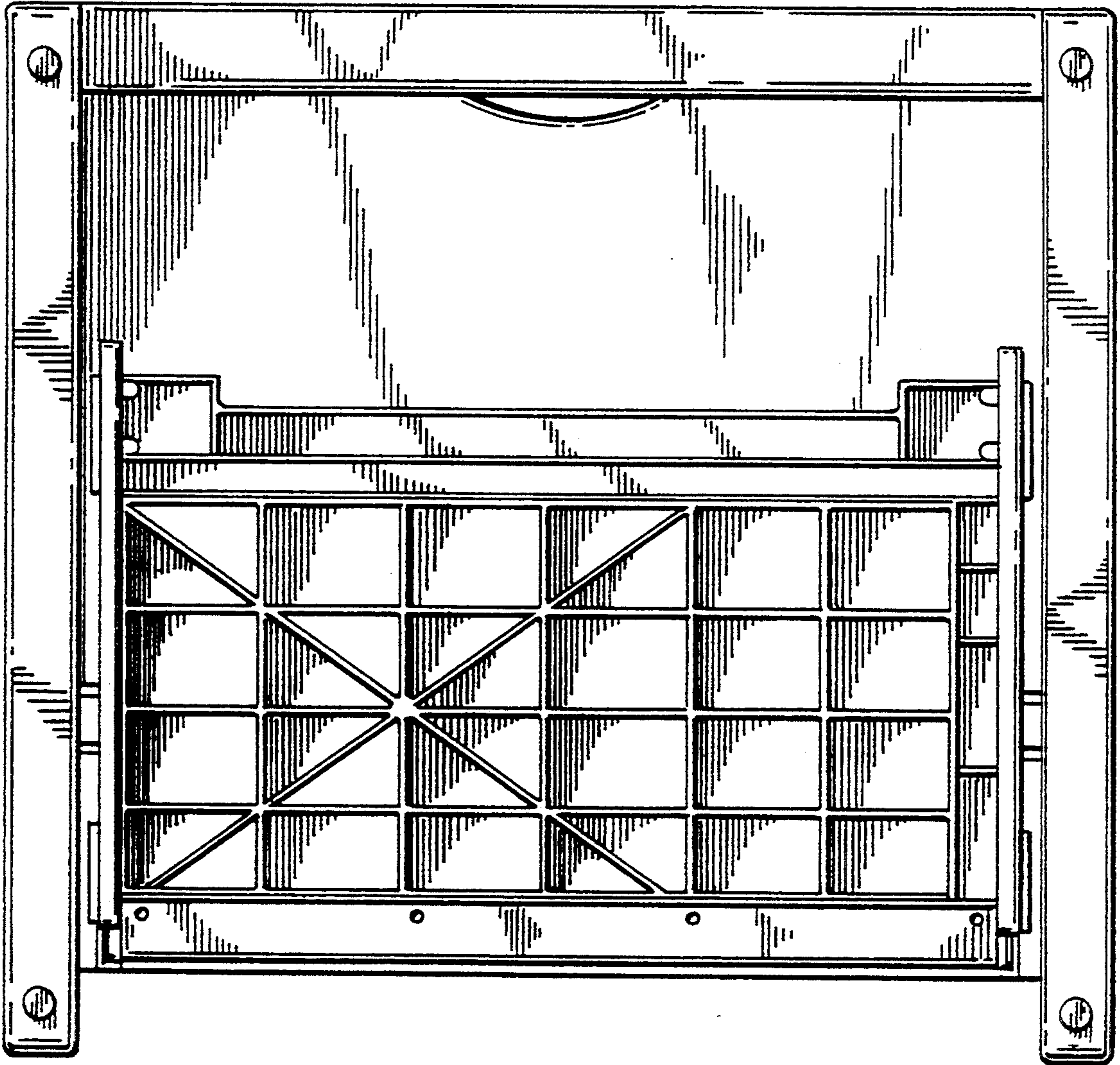


FIG. 6