



US00D361217S

United States Patent [19]

[11] Patent Number: **Des. 361,217**

Glebe

[45] Date of Patent: **** Aug. 15, 1995**

[54] **FOLDABLE LECTERN**

[76] Inventor: **Gregory N. Glebe**, 1315 E. Gibson La., Phoenix, Ariz. 85034

[**] Term: **14 Years**

[21] Appl. No.: **15,104**

[22] Filed: **Nov. 8, 1993**

[52] U.S. Cl. **D6/419; D6/310**

[58] Field of Search **D6/419-431, D6/310-314, 474; 108/2, 5, 6, 59, 60, 64; 248/441.1, 456, 460, 462, 463, 464, 450**

D. 324,462 3/1992 Karnaze D6/419
 D. 344,637 3/1994 Brown D6/310
 2,857,228 10/1958 Koett D6/429 X
 3,342,147 9/1967 Shettles 108/64
 4,378,102 3/1983 Portis, Jr. et al. 248/460
 4,383,486 5/1983 Reineman et al. 108/2

OTHER PUBLICATIONS

VanSan Corporation Catalog, dated Sep. 1990, "Eloquence from the Lectern", pp. 4, 5, 8, and 10.
 Da-Lite Screen Company, Inc. Catalog, dated 1991, "The Presentation Products Company".

Primary Examiner—Carmen H. Vales-Lado
Attorney, Agent, or Firm—Synnestvedt & Lechner

[56] **References Cited**
U.S. PATENT DOCUMENTS

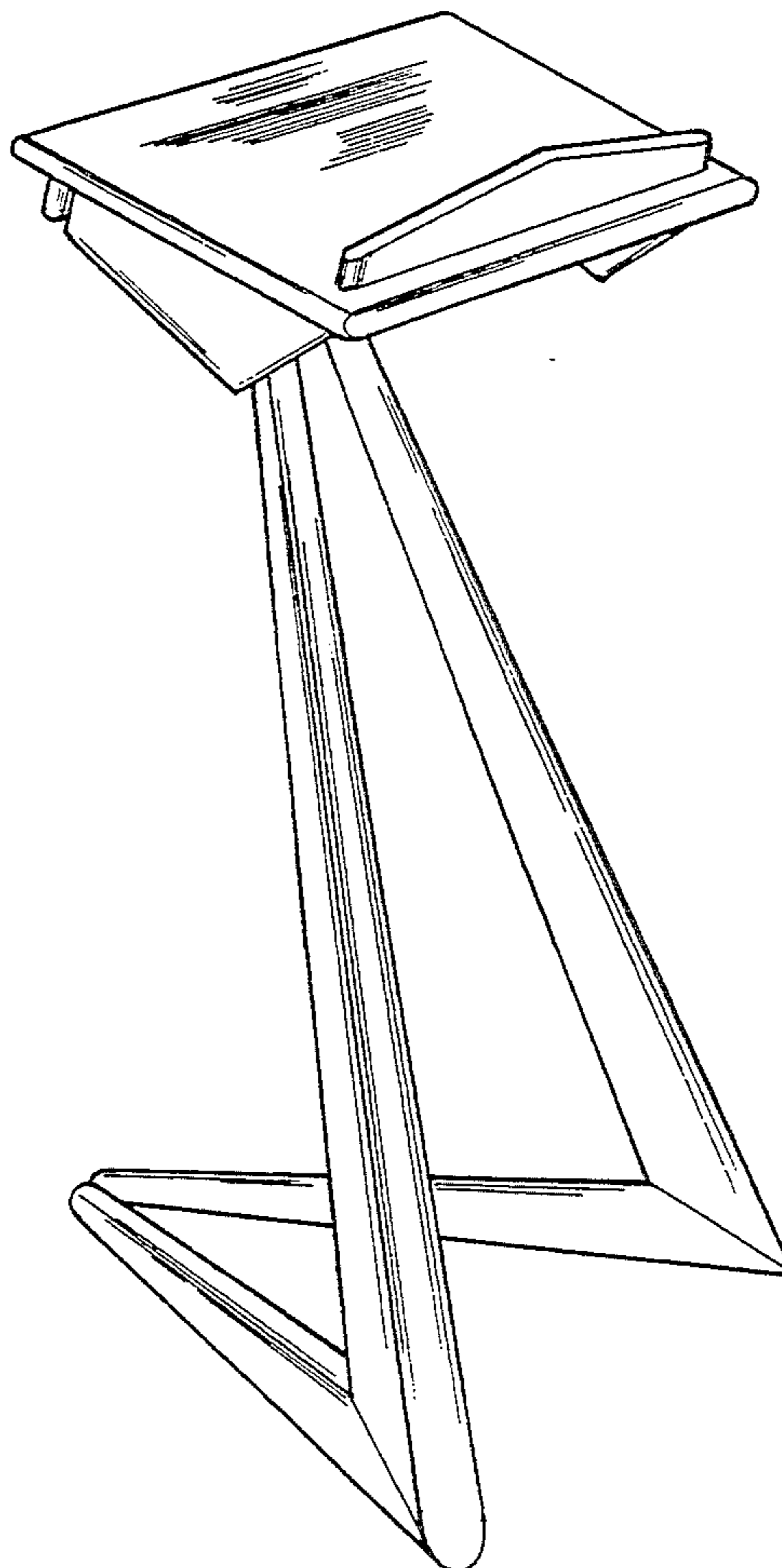
D. 132,166 4/1942 Cloutier .
 D. 150,997 9/1948 Long D6/419
 D. 161,724 1/1951 Anderson et al. D34/5
 D. 162,276 2/1951 Zemmer D6/419 X
 D. 201,026 5/1965 Wiese D6/419
 D. 221,086 7/1971 Fossella D6/429 X
 D. 236,775 9/1975 Cowley D6/420
 D. 250,920 1/1979 Waters D6/27
 D. 285,507 9/1986 Middlemist D6/419
 D. 296,851 7/1988 Kelley D6/420
 D. 303,589 9/1989 Glebe D6/310

[57] CLAIM

The ornamental design for a foldable lectern, as shown and described.

DESCRIPTION

FIG. 1 is a rear, side and top perspective view of a foldable lectern showing my new design;
 FIG. 2 is a front elevational view thereof;
 FIG. 3 is a left side elevational view thereof;
 FIG. 4 is a rear elevational view thereof;
 FIG. 5 is a top plan view thereof; and,
 FIG. 6 is a bottom plan view thereof.



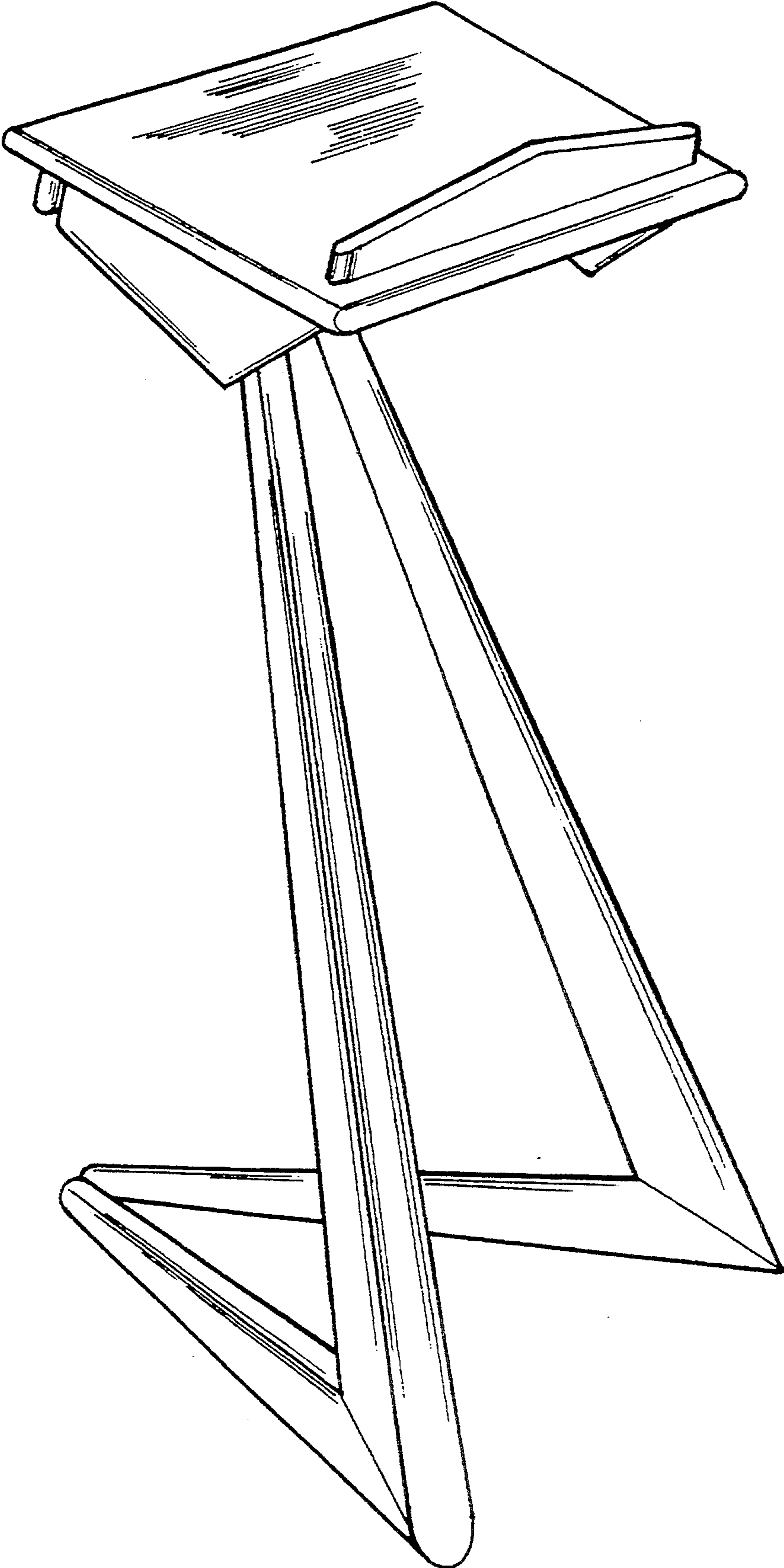


FIG. 1

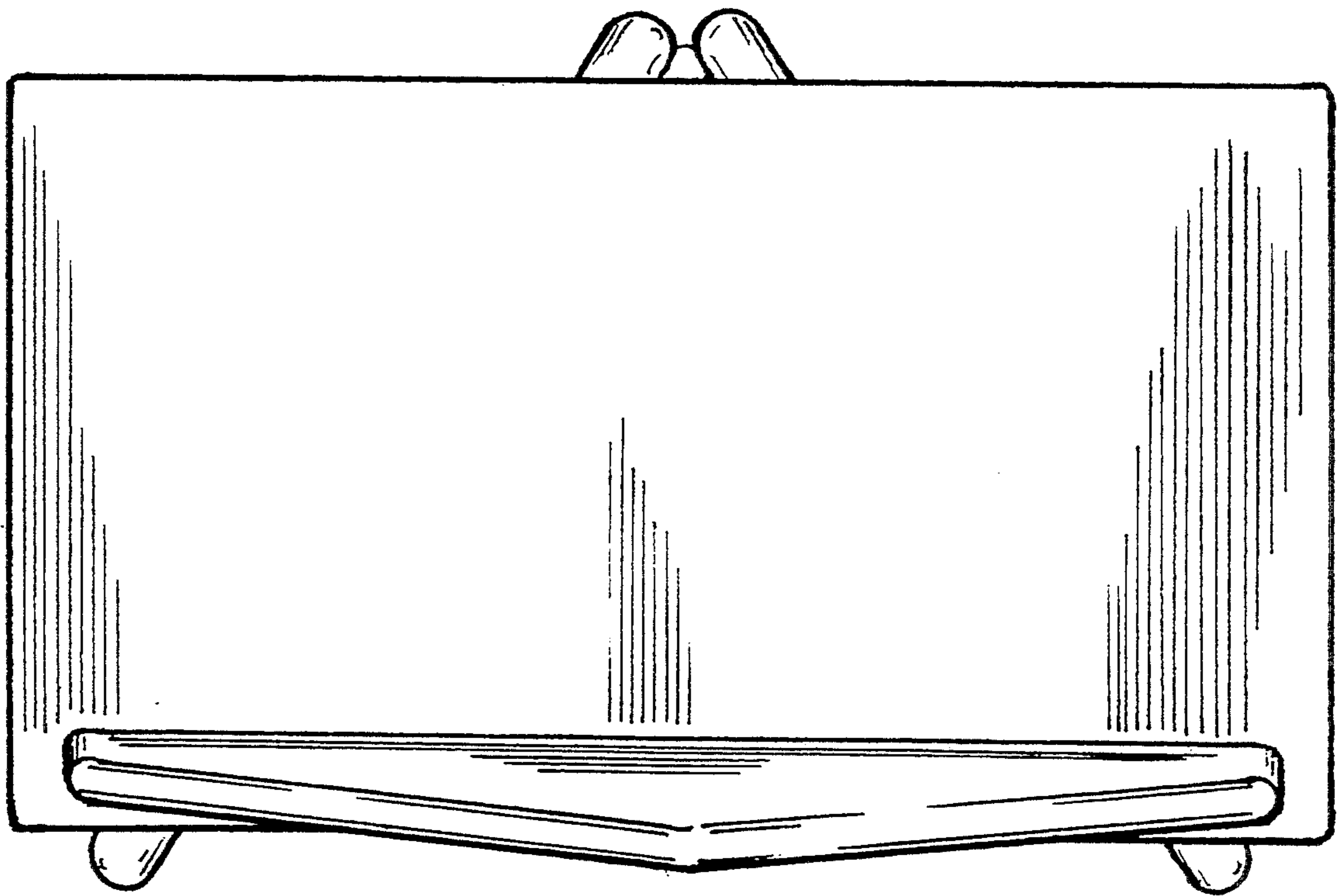


FIG.2

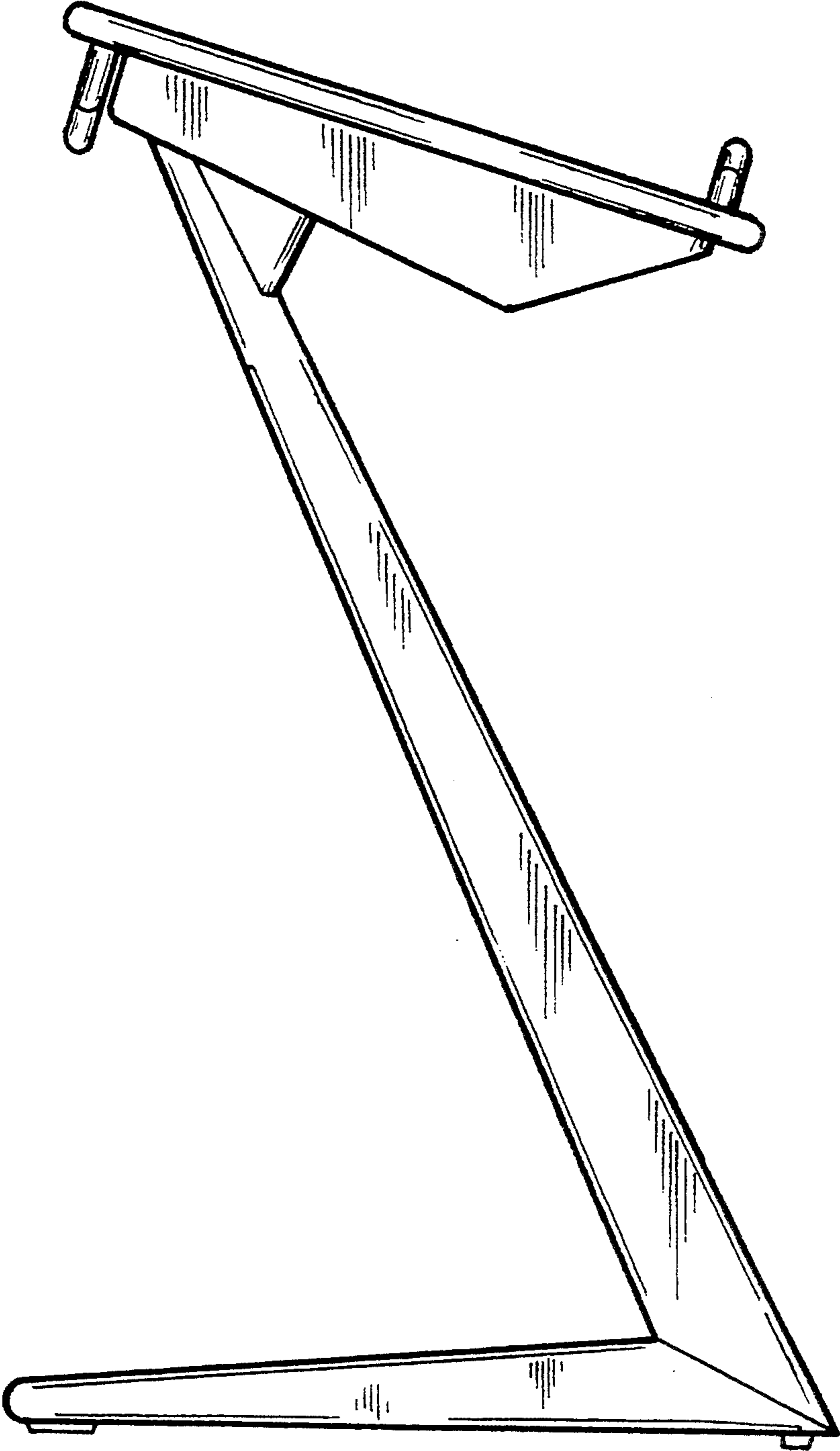


FIG.3

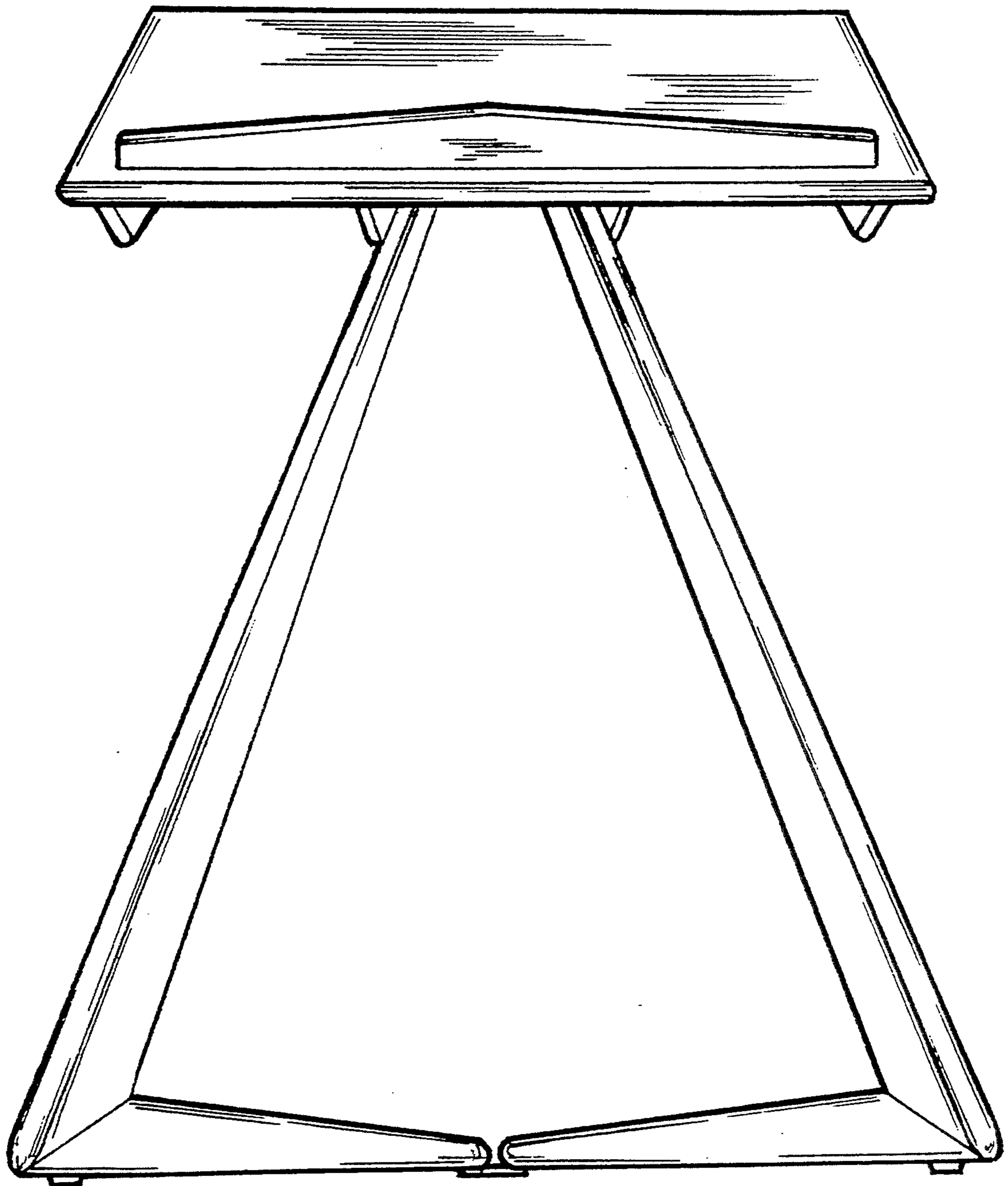


FIG. 4

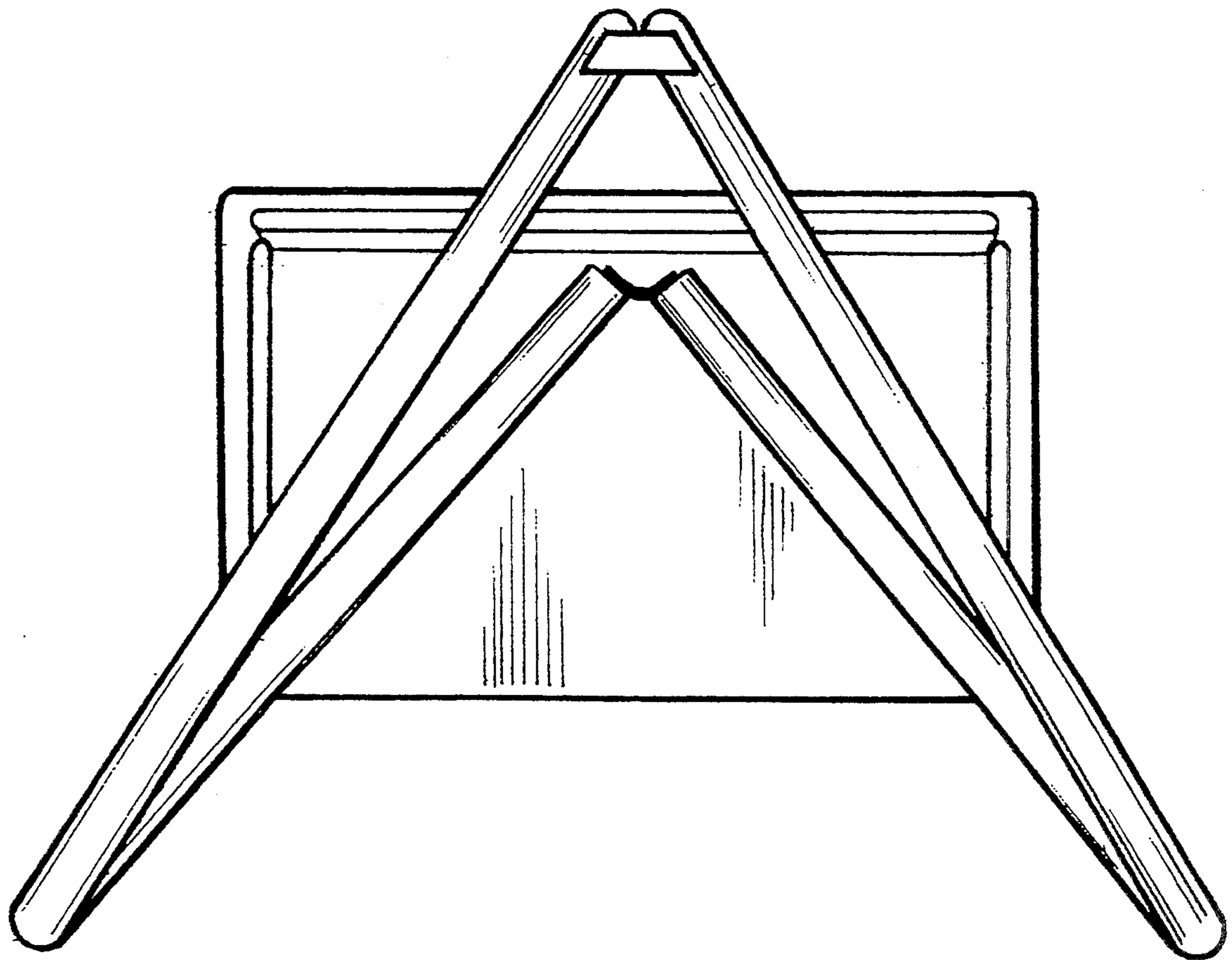


FIG.5

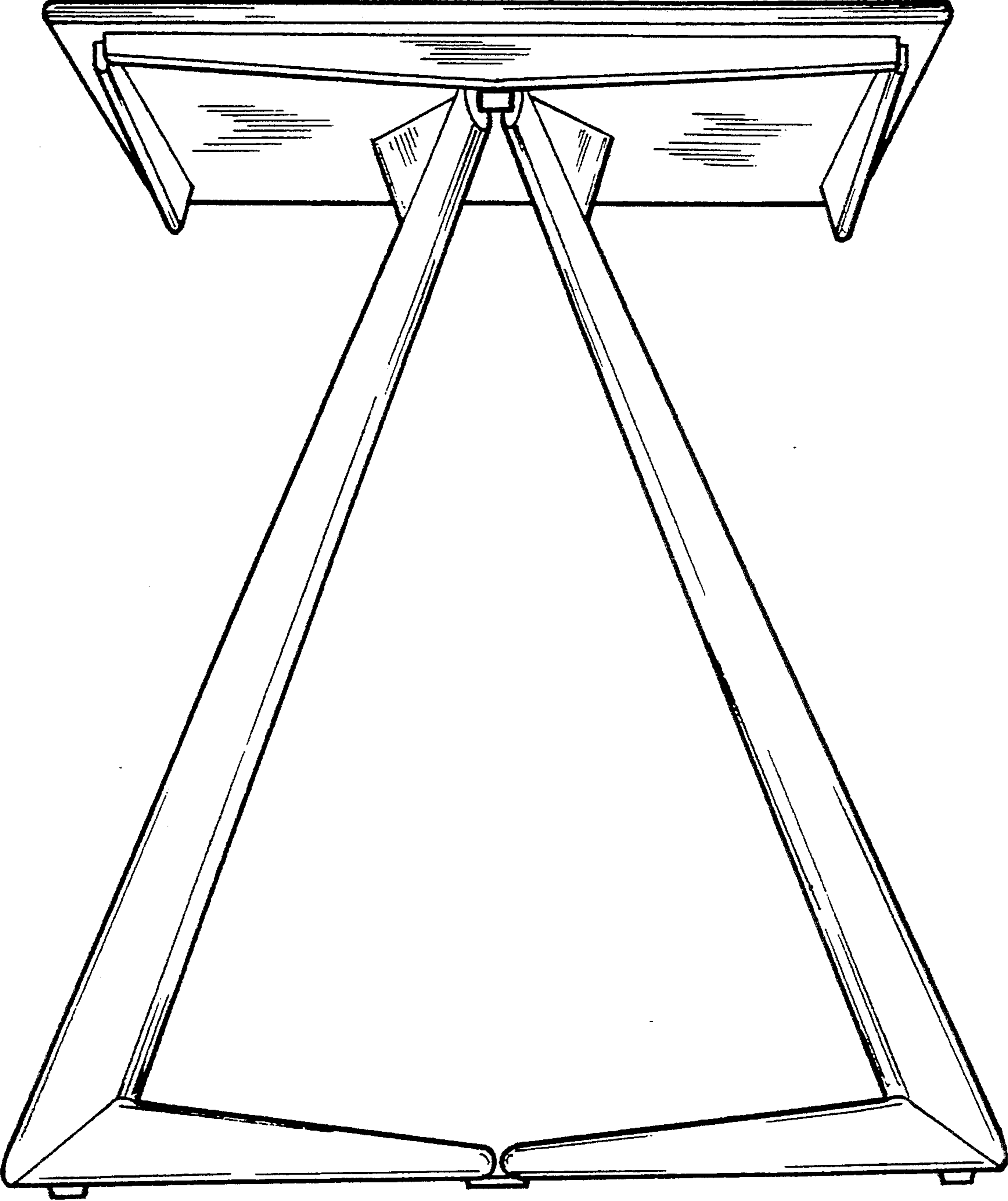


FIG.6