



US00D361213S

United States Patent [19]

[11] Patent Number: **Des. 361,213**

Tokutake et al.

[45] Date of Patent: **** Aug. 15, 1995**

[54] CHAIR FOR BABY

| | | | | |
|------------|---------|-----------------|-------|-----------|
| D. 336,786 | 6/1993 | Matsuda | | D6/333 |
| D. 350,506 | 9/1994 | Kaneko | | D6/333 X |
| 4,786,064 | 11/1988 | Baghdasarian | | D12/129 X |
| 4,854,639 | 8/1989 | Buileigh et al. | | 297/250.1 |

[75] Inventors: **Katsuhiko Tokutake; Susumu Matsumoto**, both of Tokyo, Japan

[73] Assignee: **Combi Corporation**, Tokyo, Japan

FOREIGN PATENT DOCUMENTS

[*] Notice: The portion of the term of this patent subsequent to Sep. 13, 2008 has been disclaimed.

523236 7/1993 Japan .

[**] Term: **14 Years**

Primary Examiner—Janice E. Seeger
Attorney, Agent, or Firm—Sughrue, Mion, Zinn, Macpeak & Seas

[21] Appl. No.: **18,170**

[57] CLAIM

[22] Filed: **Jan. 31, 1994**

The ornamental design for a chair for baby, as shown and described.

[30] Foreign Application Priority Data

DESCRIPTION

Jul. 30, 1993 [JP] Japan 5-23237

[52] U.S. Cl. **D6/339; D12/129**

[58] Field of Search D6/333, 334, 335, 338, D6/339, 367; D12/129; 297/149-150, 250.1

FIG. 1 is a perspective view of the top, front and one side of a chair for baby showing our new design;
 FIG. 2 is a front elevational view thereof;
 FIG. 3 is a rear elevational view thereof;
 FIG. 4 is a side elevational view of the opposite side thereof;
 FIG. 5 is a side elevational view of said one side thereof;
 FIG. 6 is a top plan view thereof;
 FIG. 7 is a bottom plan view thereof; and,
 FIG. 8 is a side elevational view of said one side thereof with the legs pivoted to an alternative position.

[56] References Cited

U.S. PATENT DOCUMENTS

| | | | | |
|------------|--------|------------------|-------|----------|
| D. 244,521 | 5/1977 | Burrige | | D6/339 X |
| D. 291,156 | 8/1987 | Nakao et al. | | D6/338 |
| D. 307,879 | 5/1990 | Giambone | | D12/129 |
| D. 328,196 | 7/1992 | Takahashi et al. | | D6/339 |

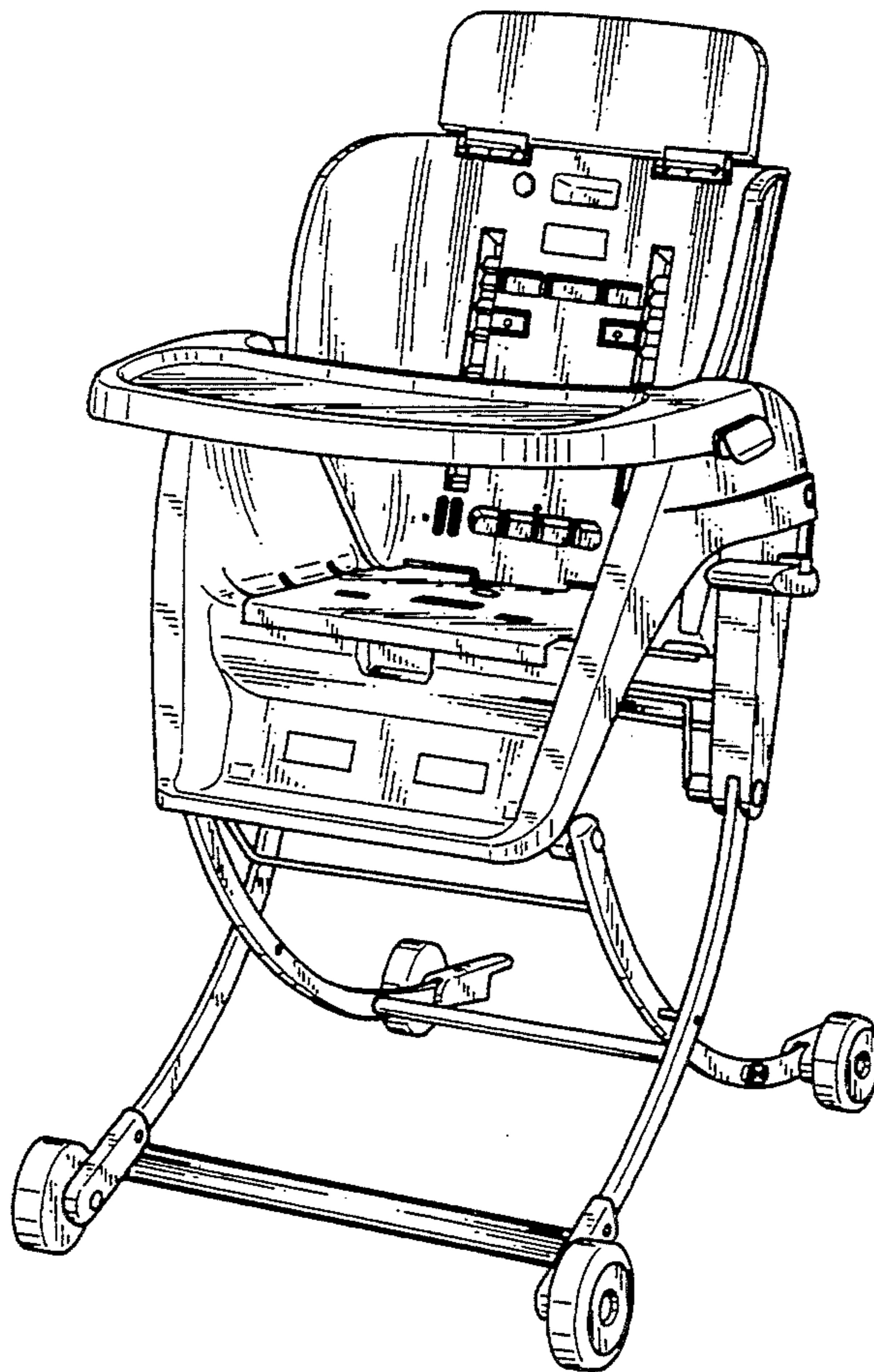


Fig. 1

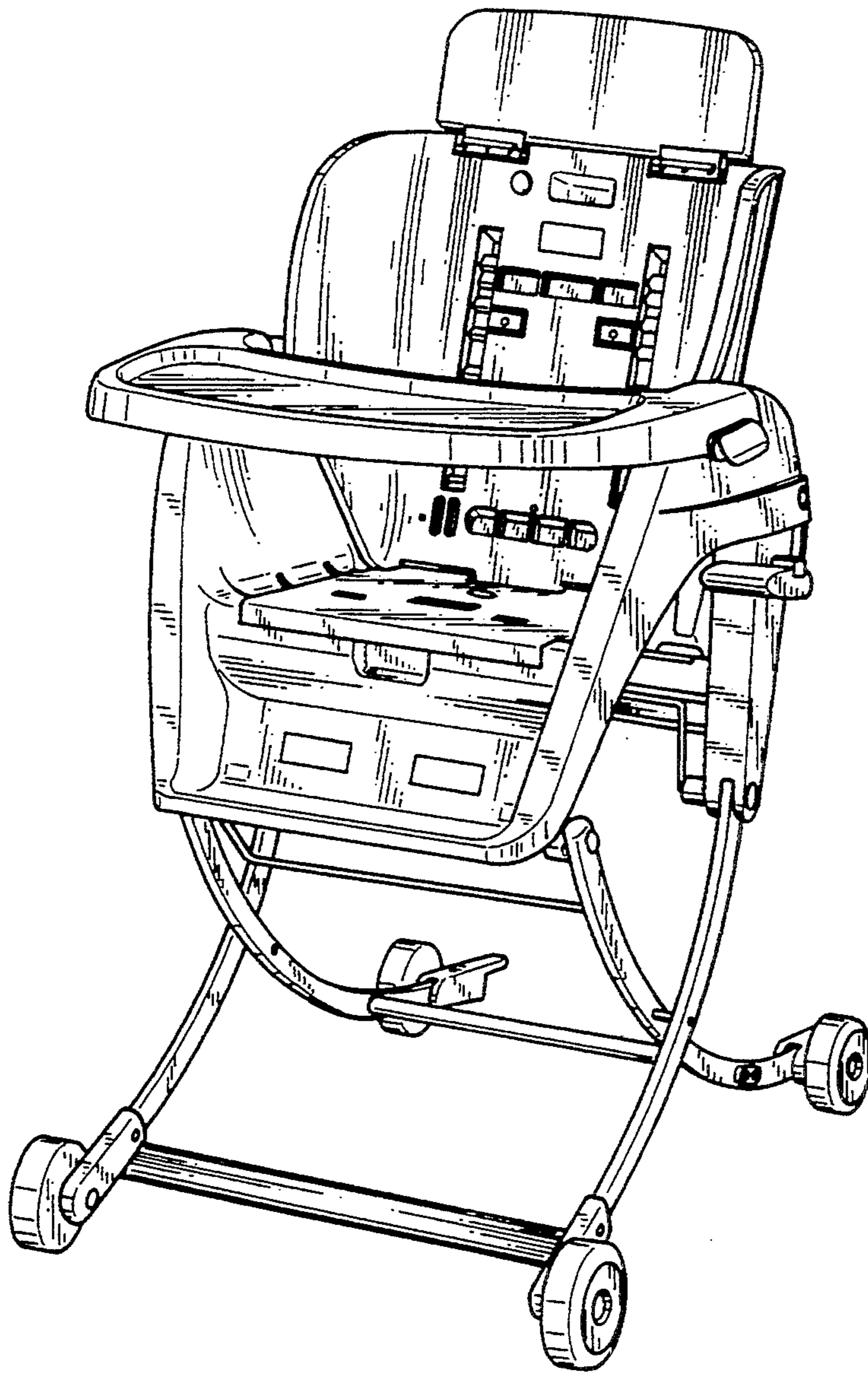


Fig. 2

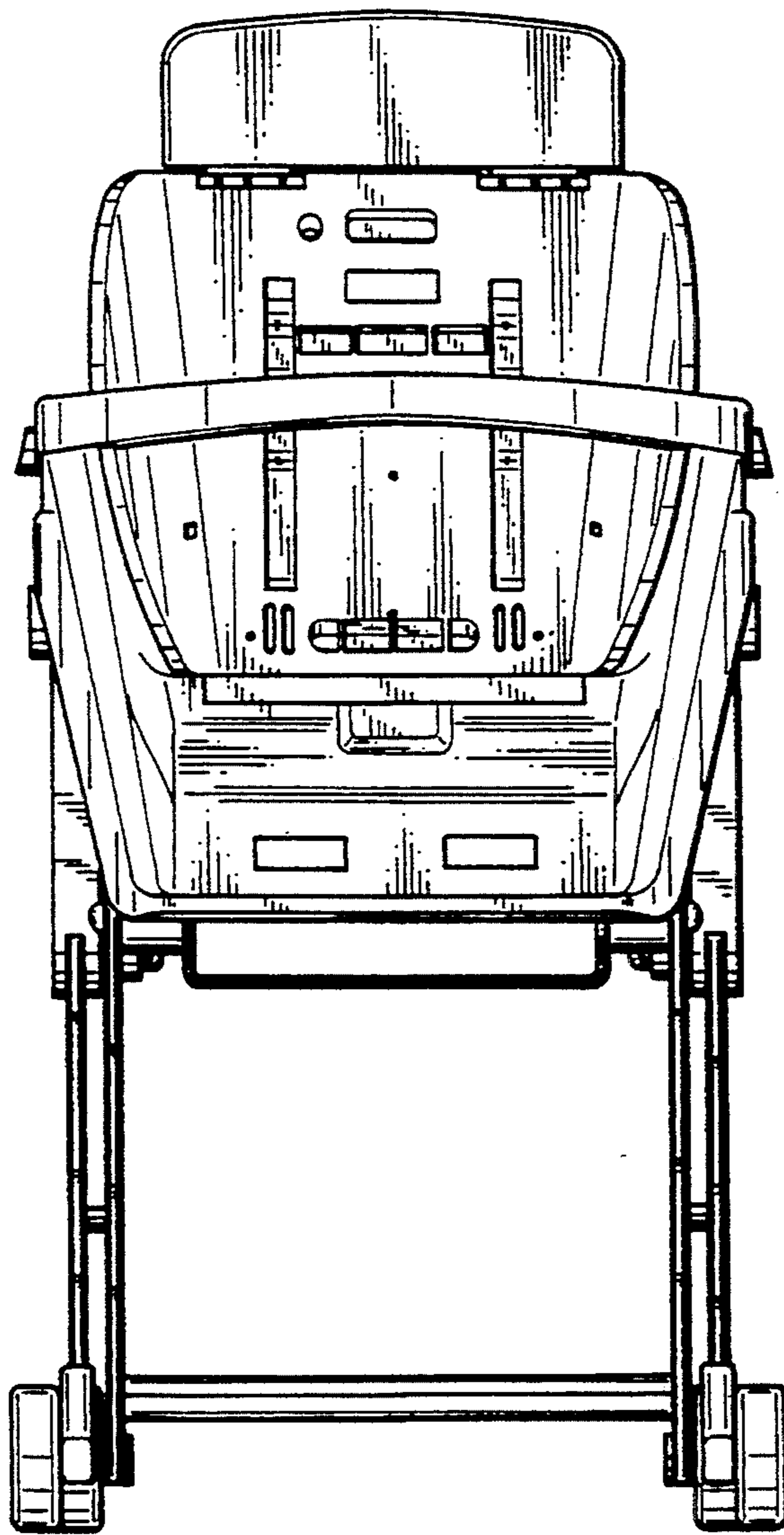


Fig. 3

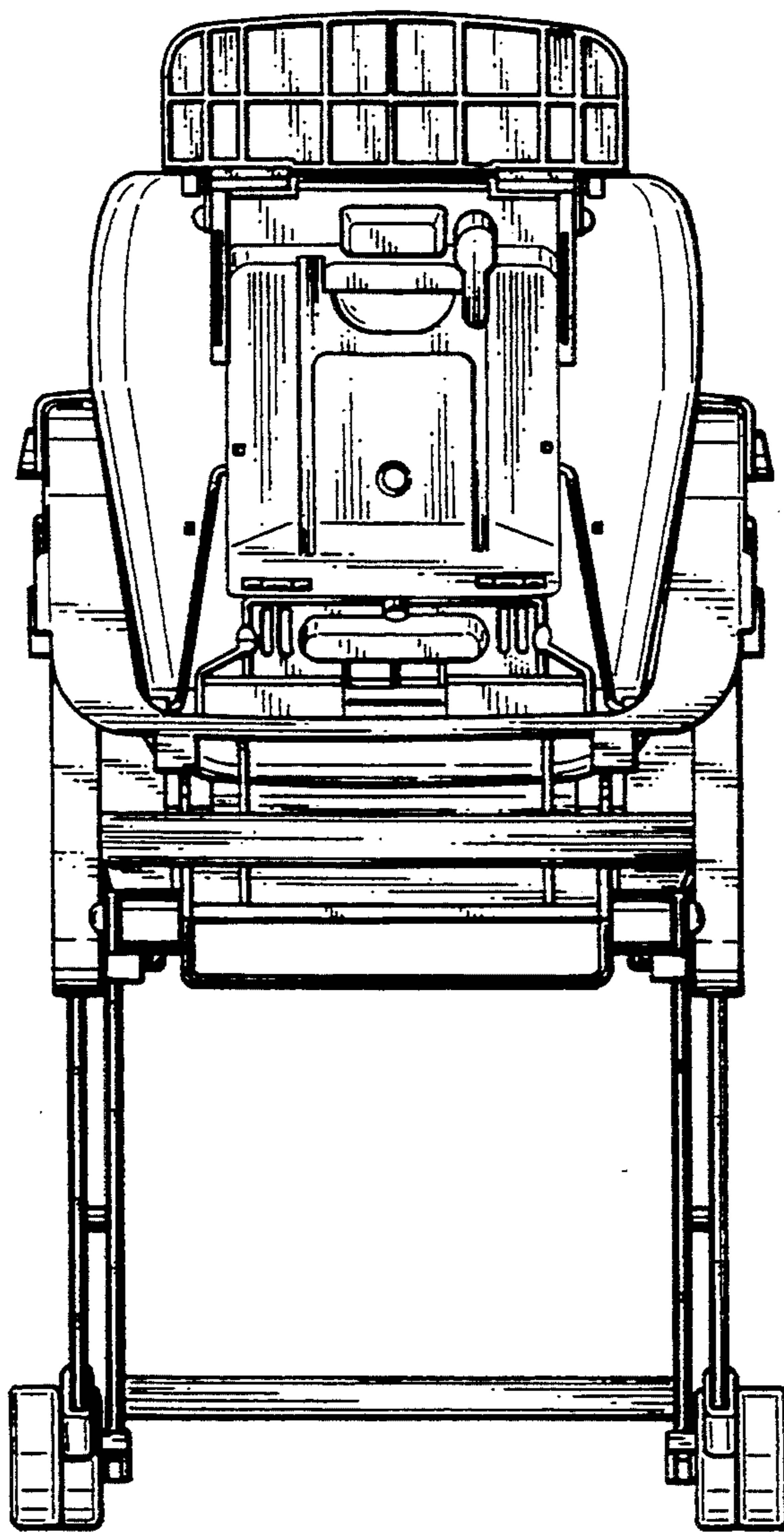


Fig. 4

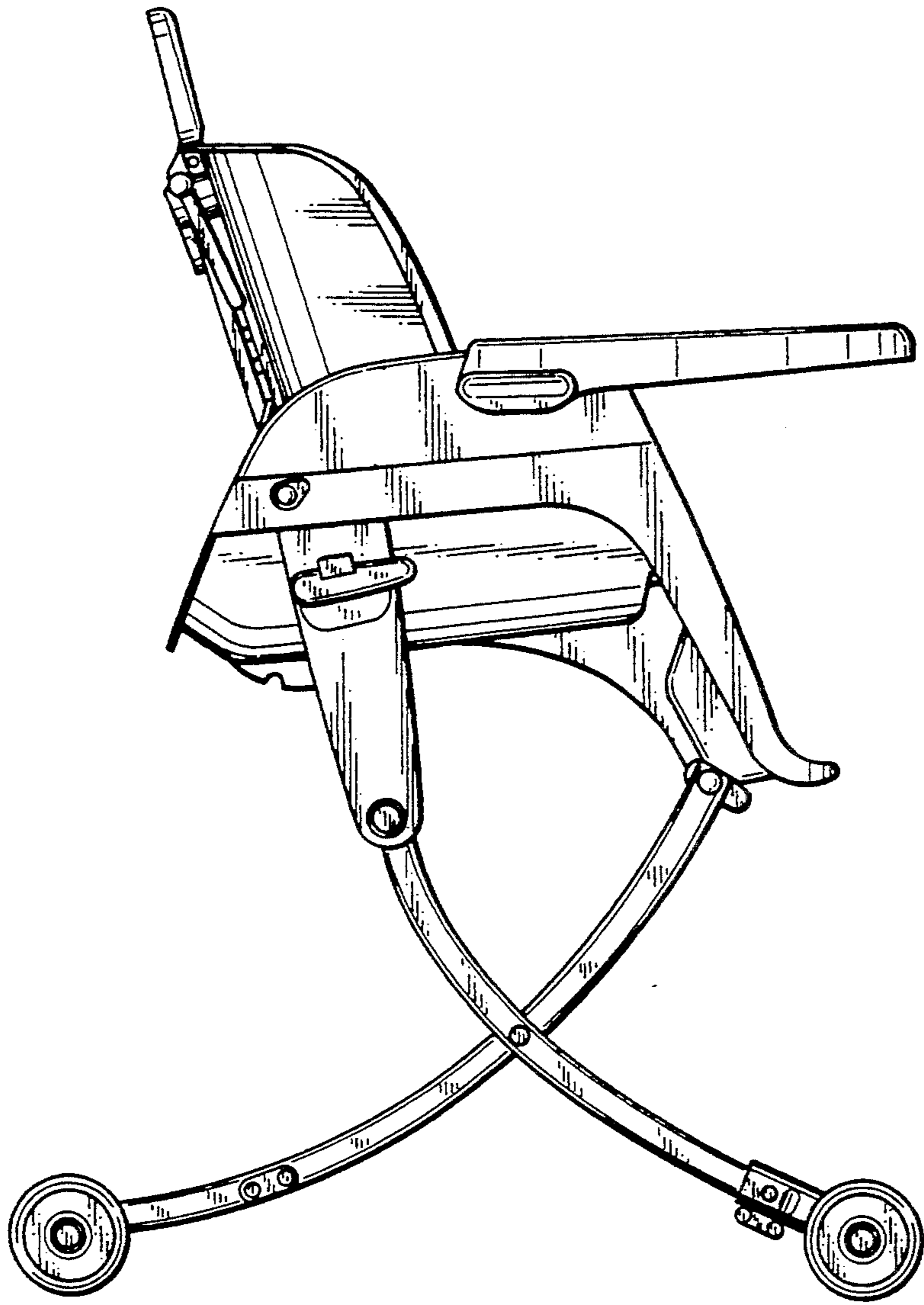


Fig. 5

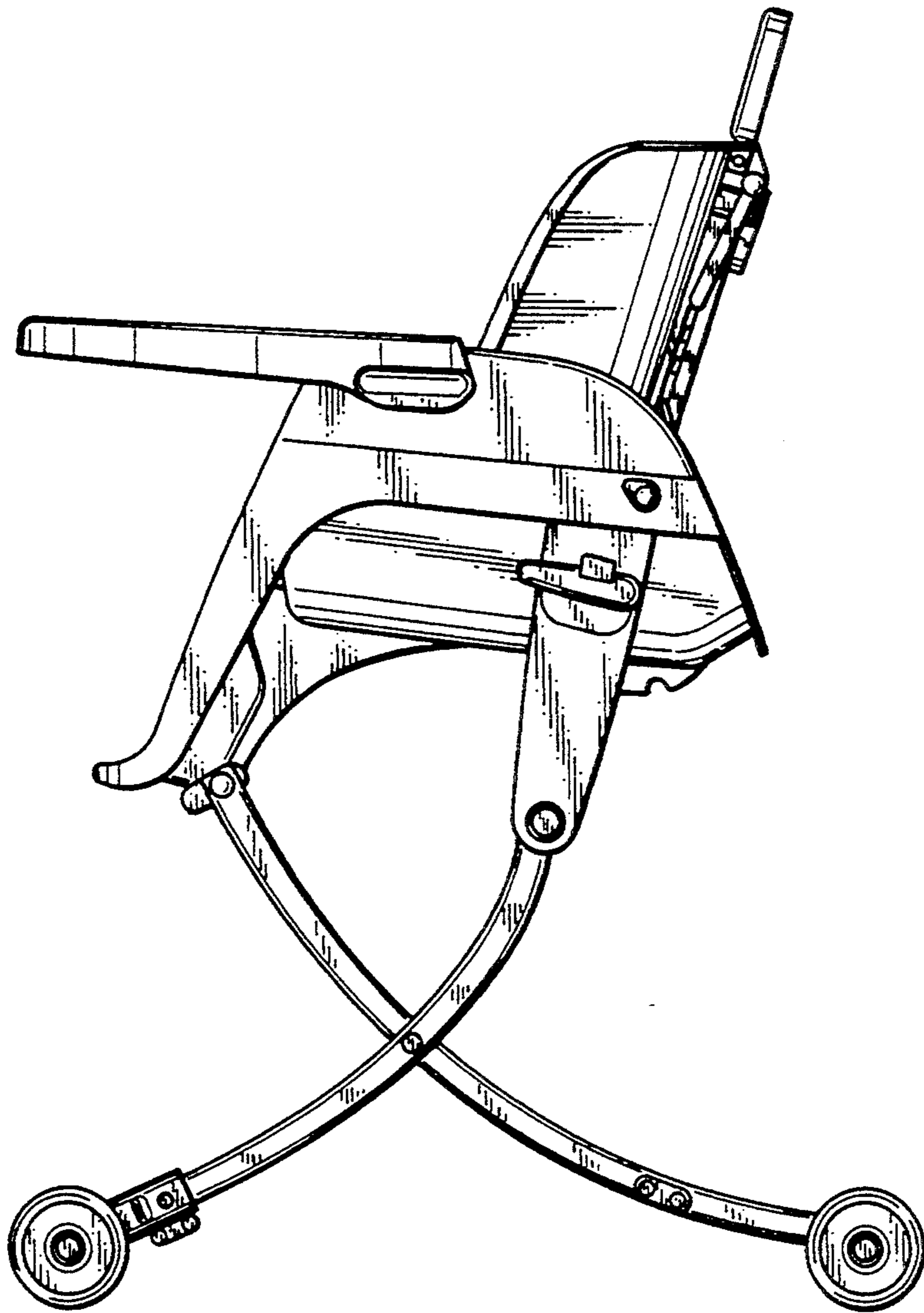


Fig. 6

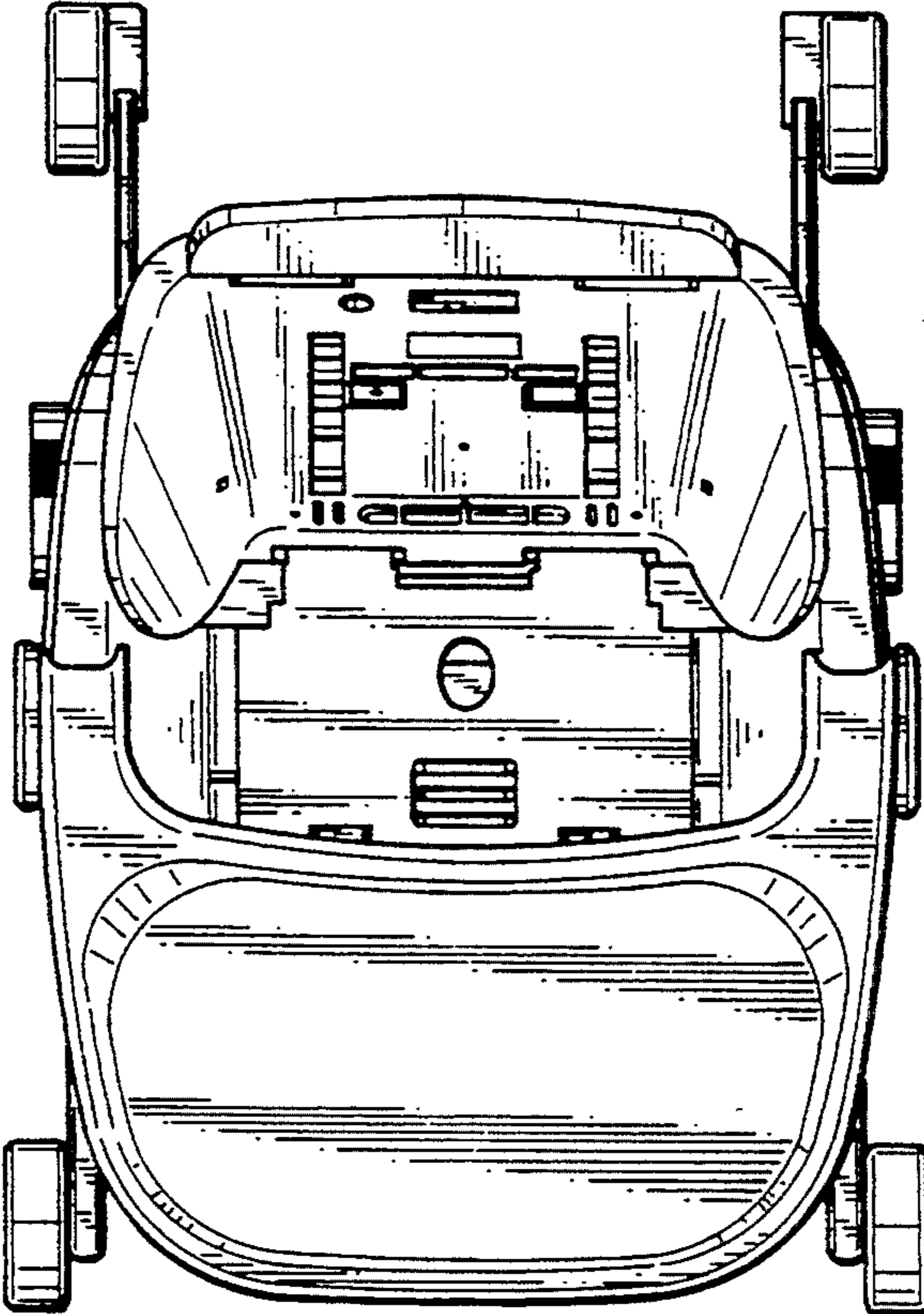


Fig. 7

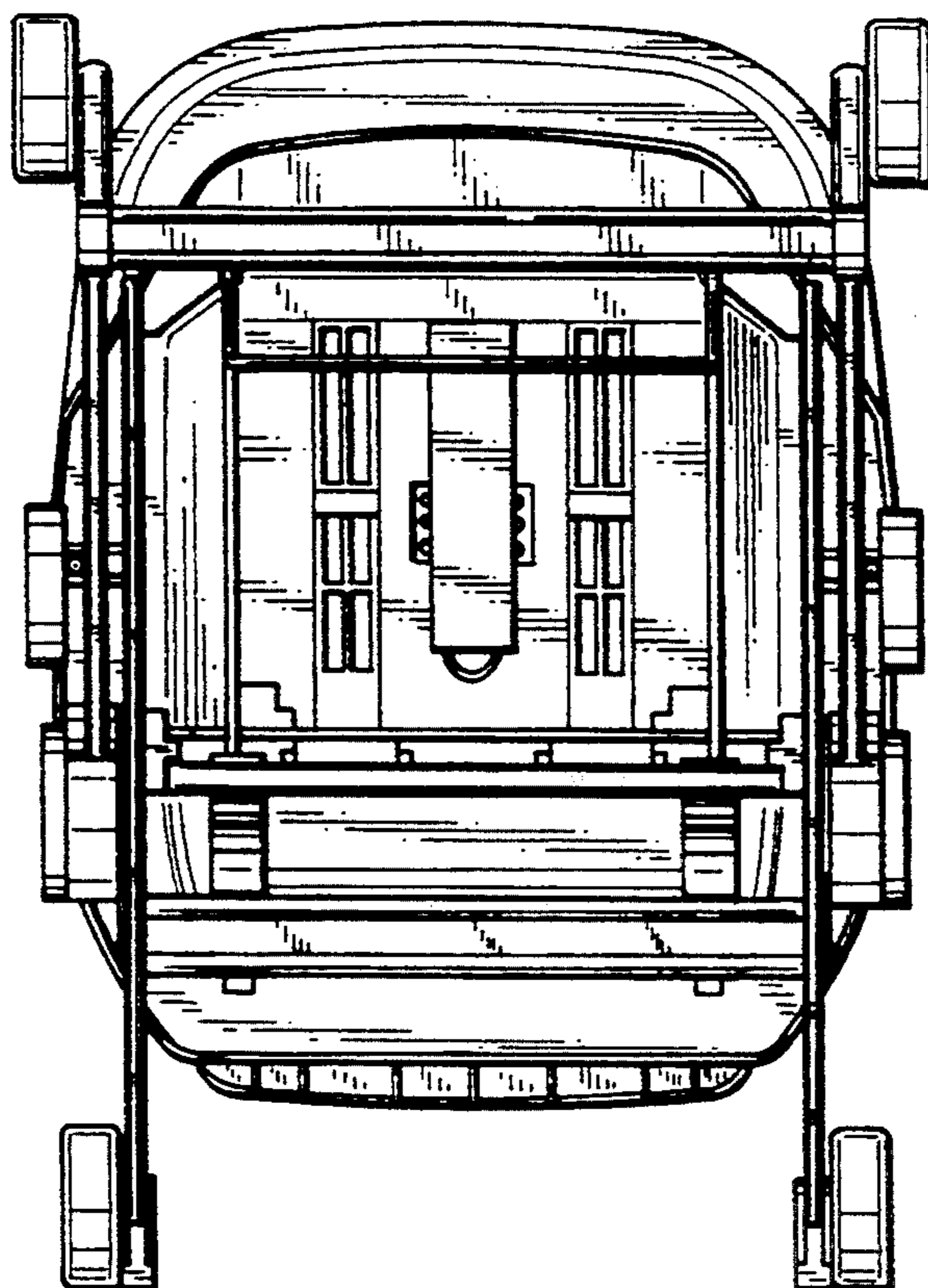


Fig. 8

