



US00D361212S

United States Patent [19]

[11] Patent Number: Des. 361,212

Gibson

[45] Date of Patent: ** Aug. 15, 1995

[54] SEAT

[75] Inventor: Andrew C. Gibson, Greensboro, N.C.

[73] Assignee: Leather Center, Inc., Carrollton, Tex.

[**] Term: 14 Years

[21] Appl. No.: 19,070

[22] Filed: Feb. 22, 1994

[52] U.S. Cl. D6/334; D6/381

[58] Field of Search D6/334, 335, 336, 364, D6/371, 373, 381, 500, 501, 502; 297/232, 445, 446

[56] References Cited

U.S. PATENT DOCUMENTS

D. 251,519	4/1979	Radzelli	D6/334
D. 251,762	5/1979	Prevost	D6/334
D. 253,078	10/1979	Busnelli	D6/334
D. 261,331	10/1981	Benz	D6/334
D. 281,554	12/1985	Stuenkel	D6/334
D. 292,145	10/1987	Zapf	D6/334
D. 346,506	5/1994	Gera	D6/381

OTHER PUBLICATIONS

- Interiors, Jan. 1974, p. 100, chair marked at mid-page left.
- Domus, May, 1981, P.WWW, Sofa at bottom.
- Ekornes, 1986, p. 53, Chair at top center.

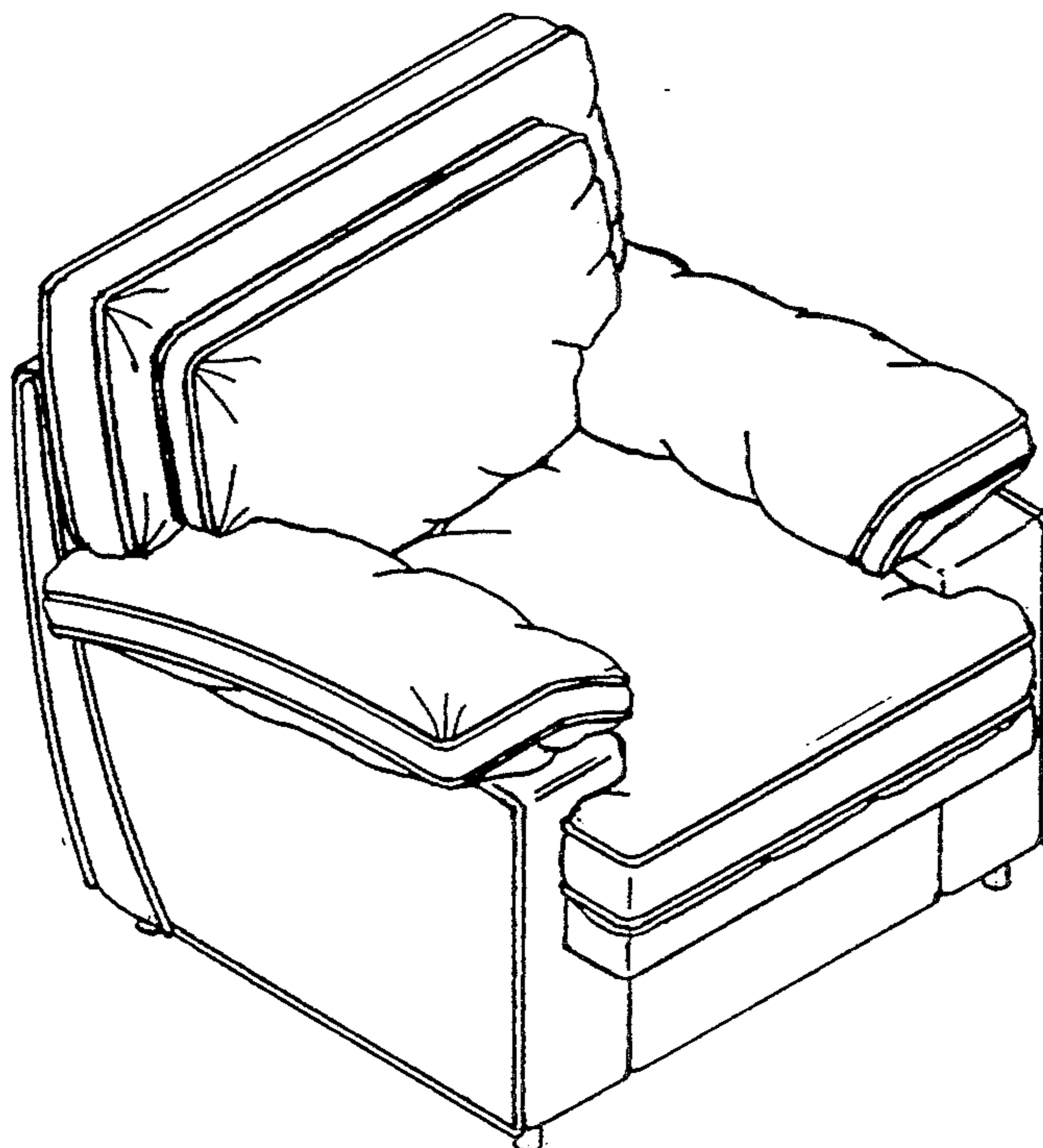
Primary Examiner—Alan P. Douglas
Assistant Examiner—Gary D. Watson
Attorney, Agent, or Firm—Haynes and Boone

[57] CLAIM

The ornamental design for a seat, as shown and described.

DESCRIPTION

FIG. 1 is a perspective view of a first embodiment of a seat in the form of an armchair;
 FIG. 2 is a front elevational view of the embodiment of FIG. 1;
 FIG. 3 is a left side elevational view of the embodiment of FIG. 1, the elevational view of the right side being a mirror image thereof;
 FIG. 4 is a rear elevational view of the embodiment of FIG. 1;
 FIG. 5 is a top plan view of the embodiment of FIG. 1, the bottom view not being shown because it is plain and unornamented;
 FIG. 6 is a perspective view of a second embodiment of a seat in the form of a loveseat, the difference being merely a matter of length, the side view being the same as FIG. 3 and the bottom being plain and unornamented; and,
 FIG. 7 is a perspective view of a third embodiment of a seat in the form of a sofa, the difference being merely a matter of length, the side view being the same as FIG. 3 and the bottom being plain and unornamented.



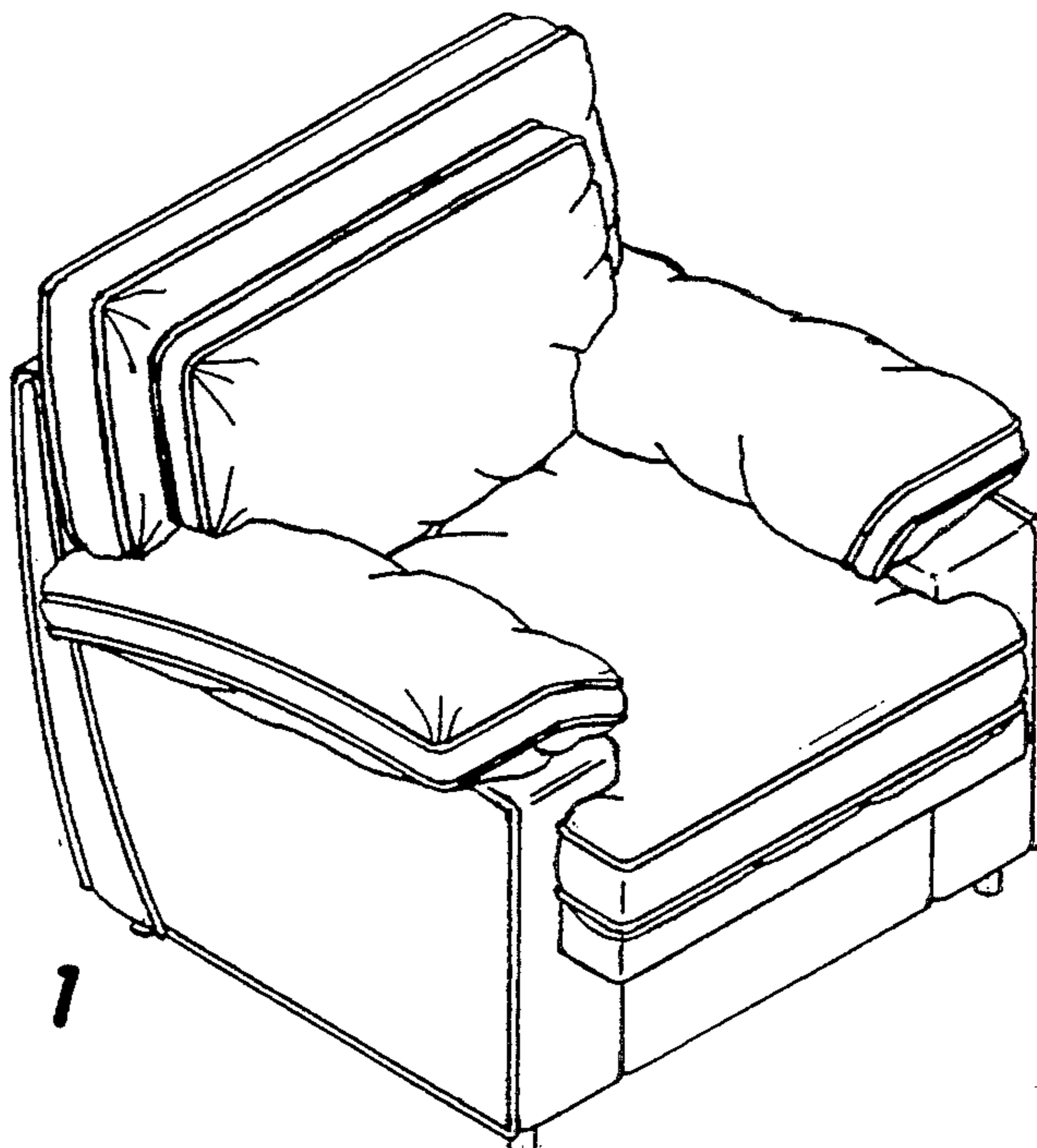


FIG. 1

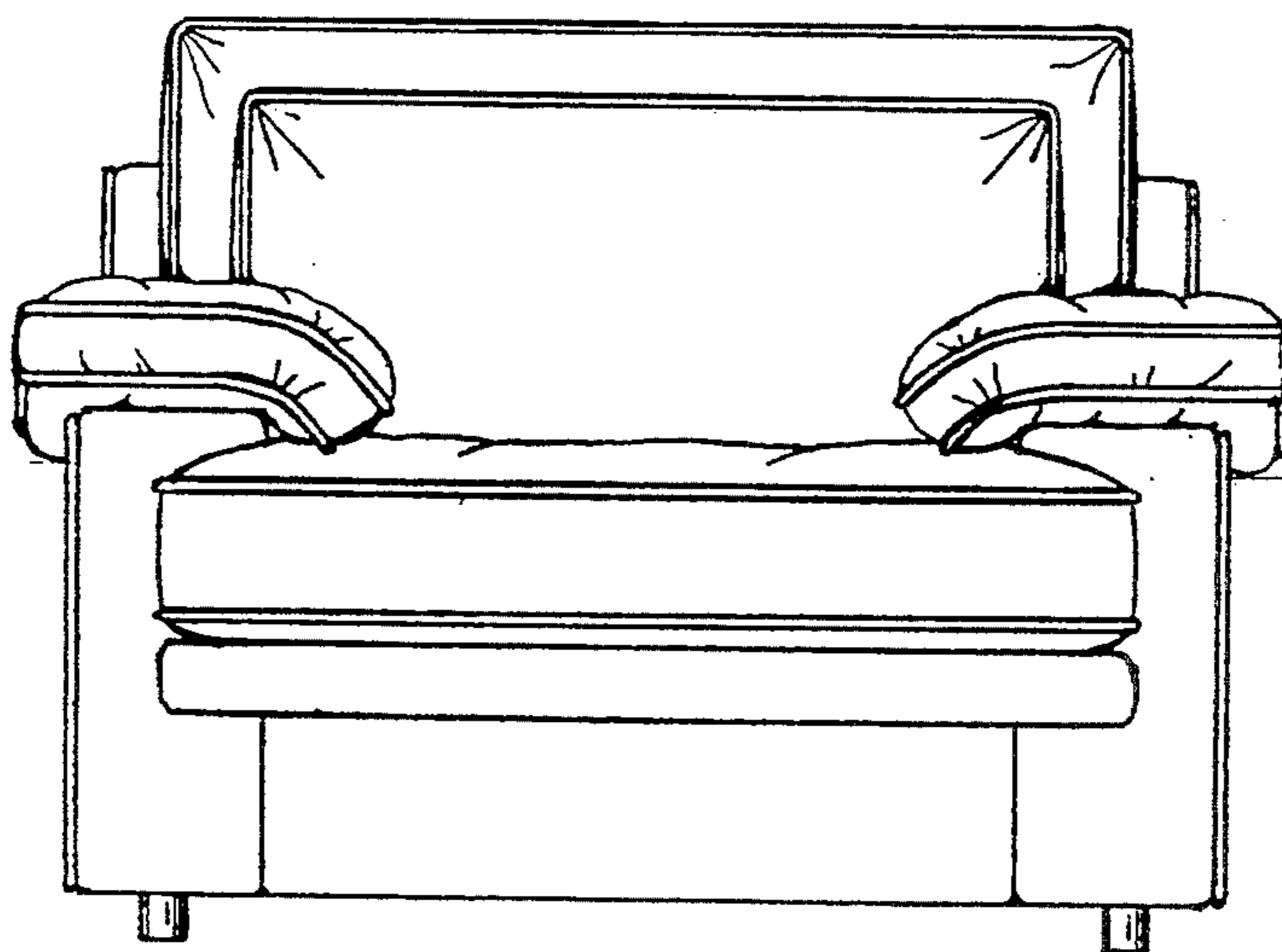


FIG. 2

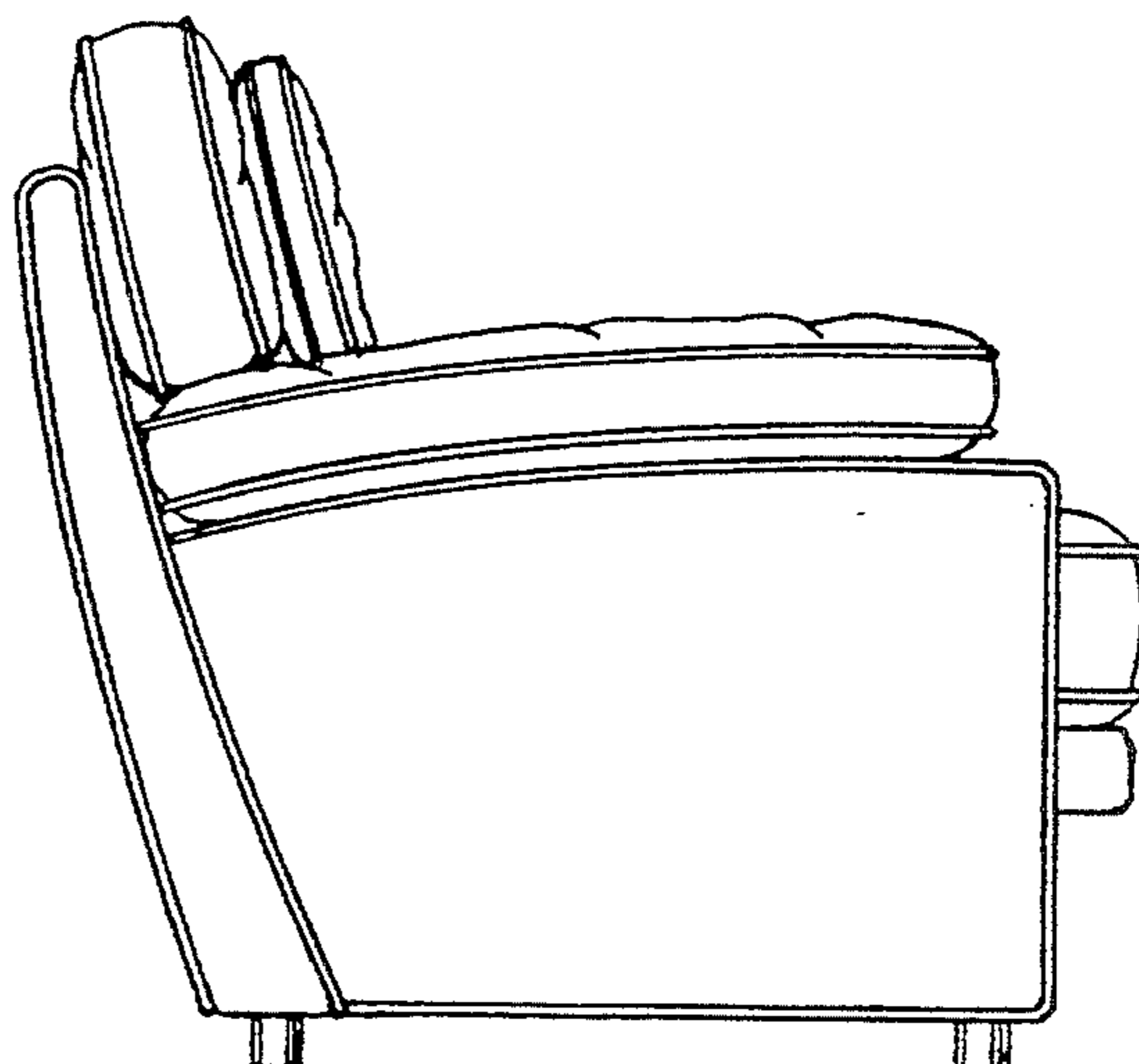


FIG. 3

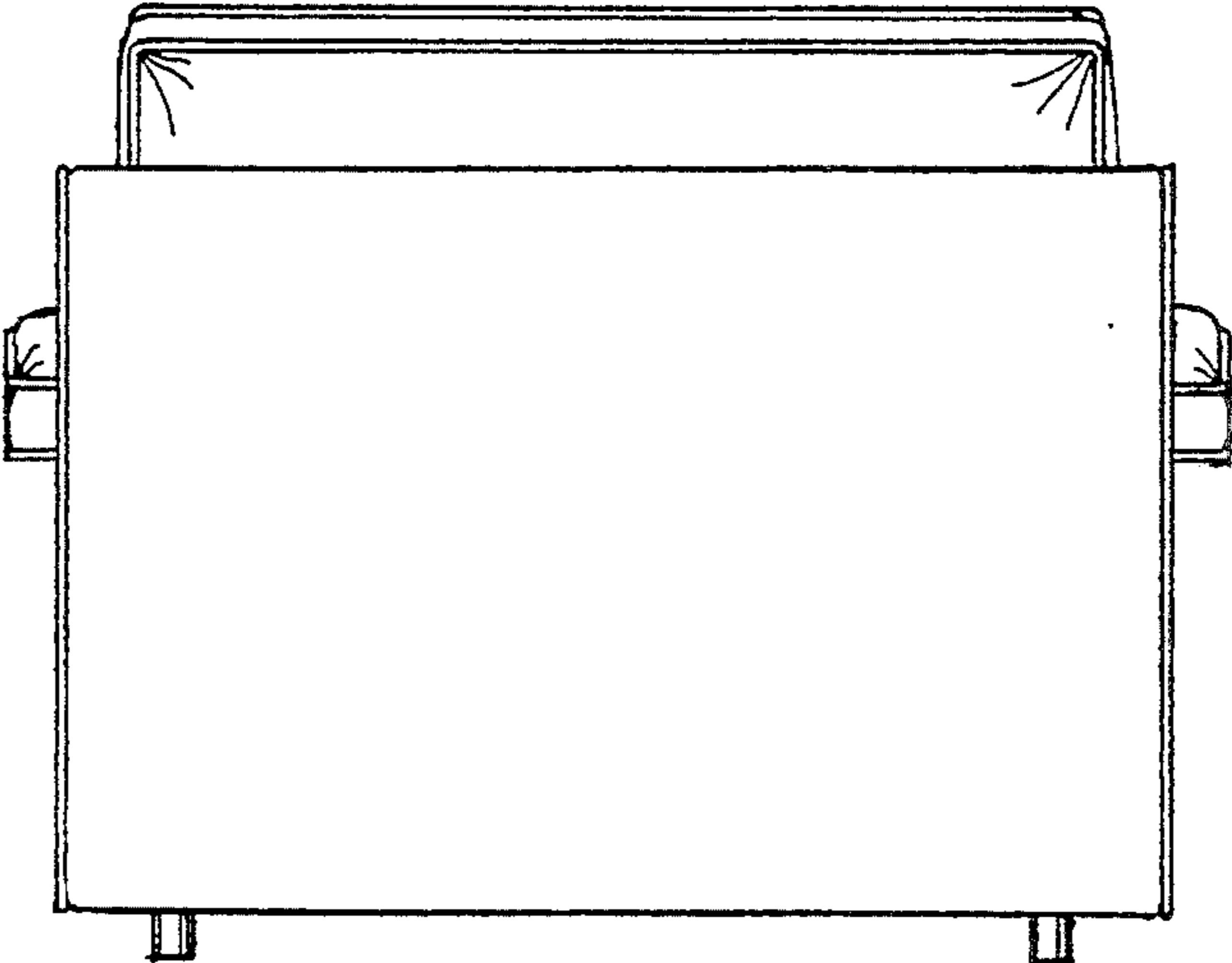


FIG. 4

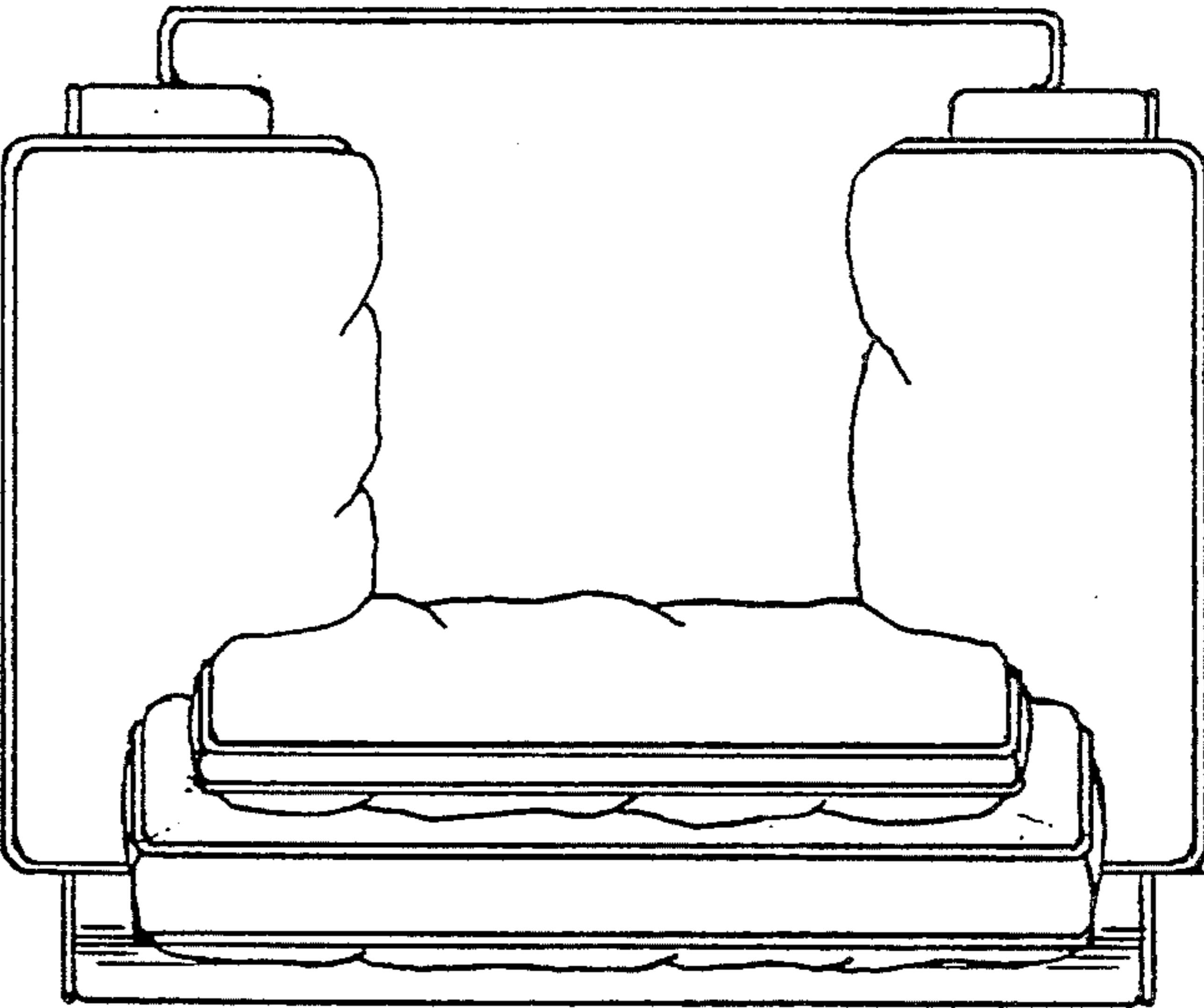


FIG. 5

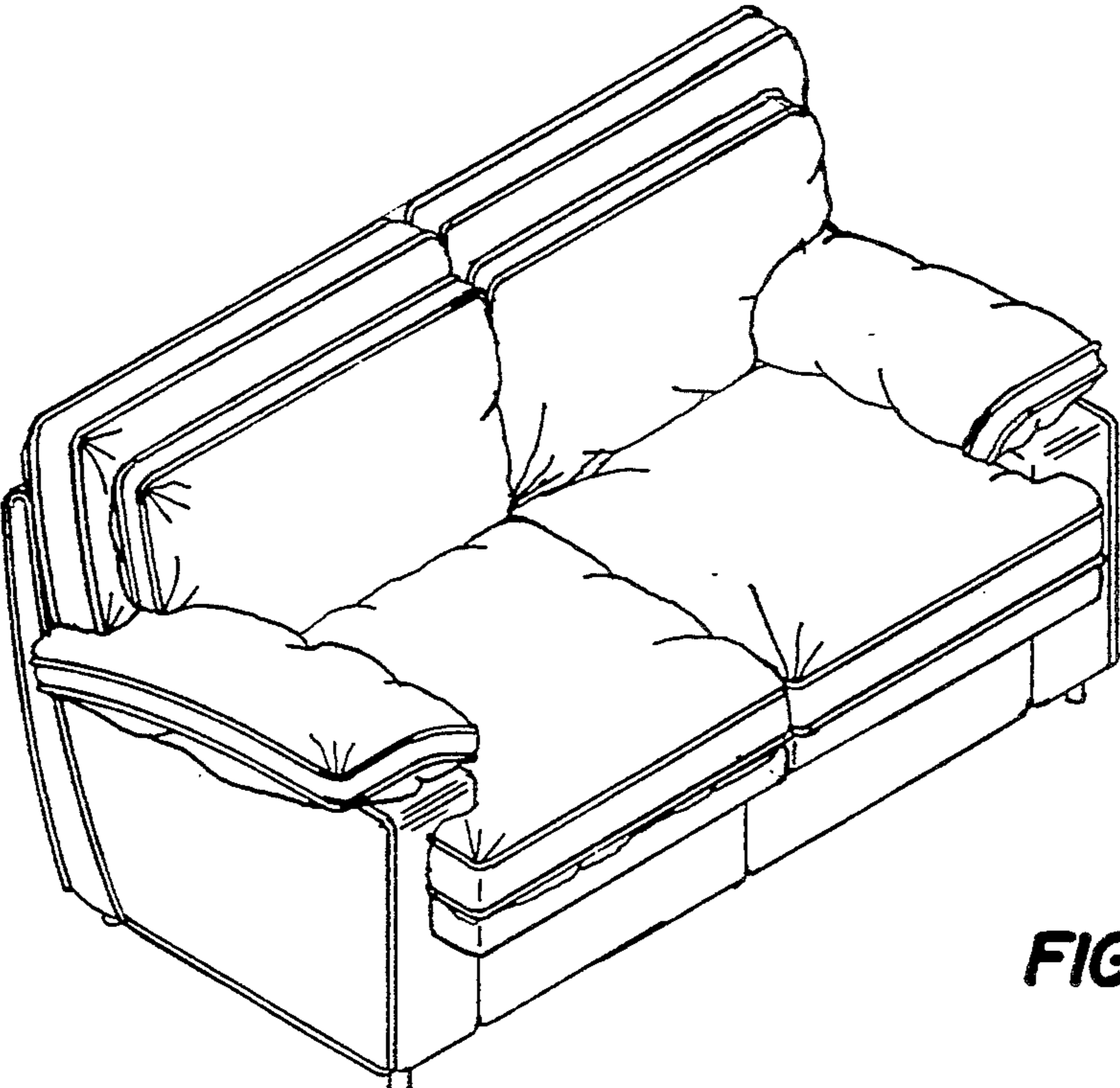


FIG. 6

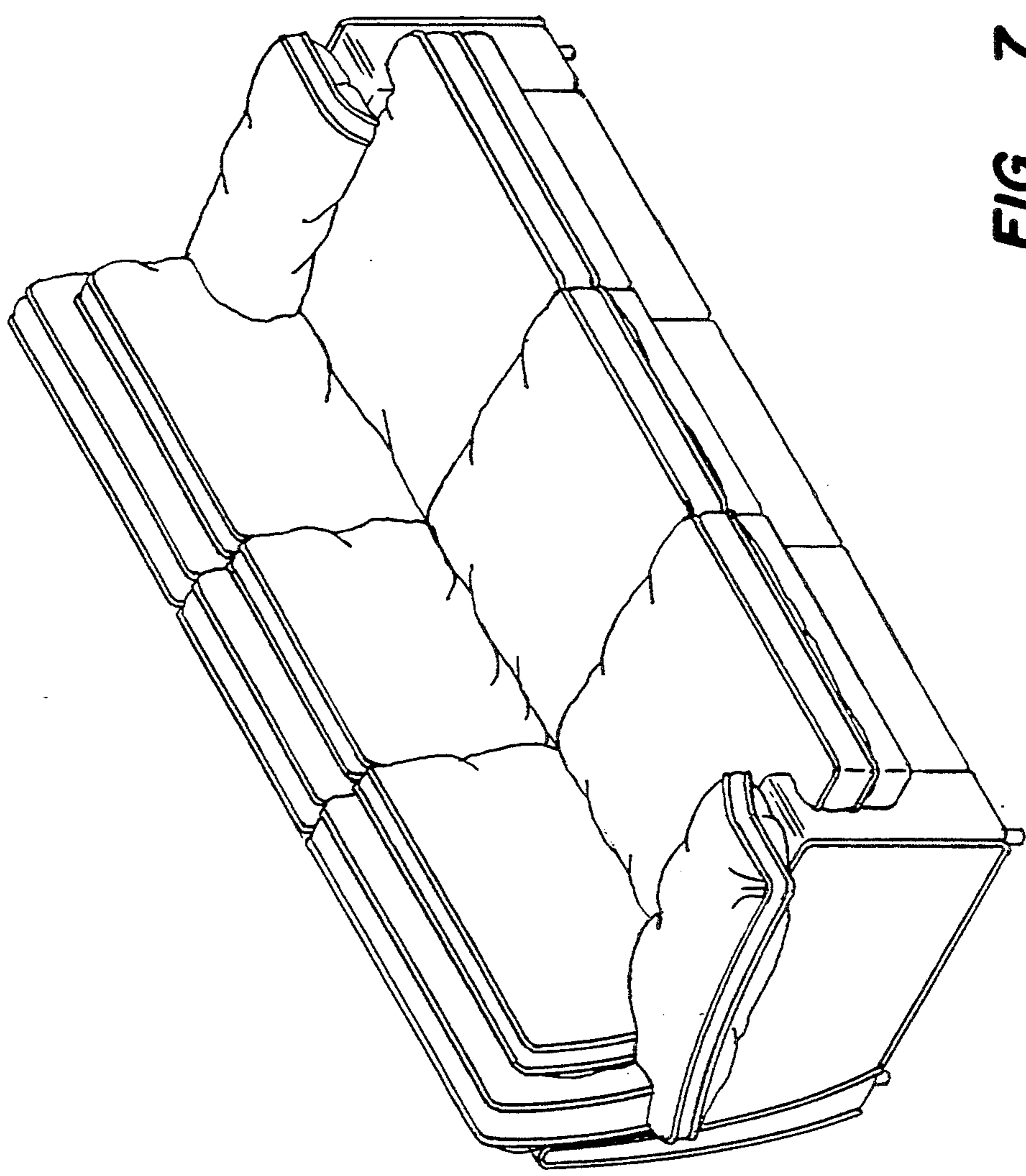


FIG. 7