



US00D361207S

# United States Patent [19] Meyer

[11] Patent Number: **Des. 361,207**

[45] Date of Patent: **\*\* Aug. 15, 1995**

[54] **GOLF CLUB HOLDER**

[76] Inventor: **Jerry L. Meyer, 505 Commercial Ave., Clifton Forge, Va. 24422**

[\*\*] Term: **14 Years**

[21] Appl. No.: **16,551**

[22] Filed: **Dec. 20, 1993**

[52] U.S. Cl. .... **D3/320**

[58] Field of Search ..... **D3/320; 206/315.1, 315.2, 206/315.3, 315.4, 315.5, 315.6, 315.7**

[56] **References Cited**

**U.S. PATENT DOCUMENTS**

D. 315,639	3/1991	Warder	.....	D3/320
4,863,019	9/1989	Lewis	.....	206/315.3
5,238,109	8/1993	Smith	.....	206/315.2

**FOREIGN PATENT DOCUMENTS**

0181496 6/1922 United Kingdom ..... 206/315.3

*Primary Examiner*—Ruth McInroy

*Assistant Examiner*—Catherine R. Oliver

*Attorney, Agent, or Firm*—Daryl C. Josephson; Kevin A. Sembrat

[57] **CLAIM**

The ornamental design for a golf club holder, as shown and described.

**DESCRIPTION**

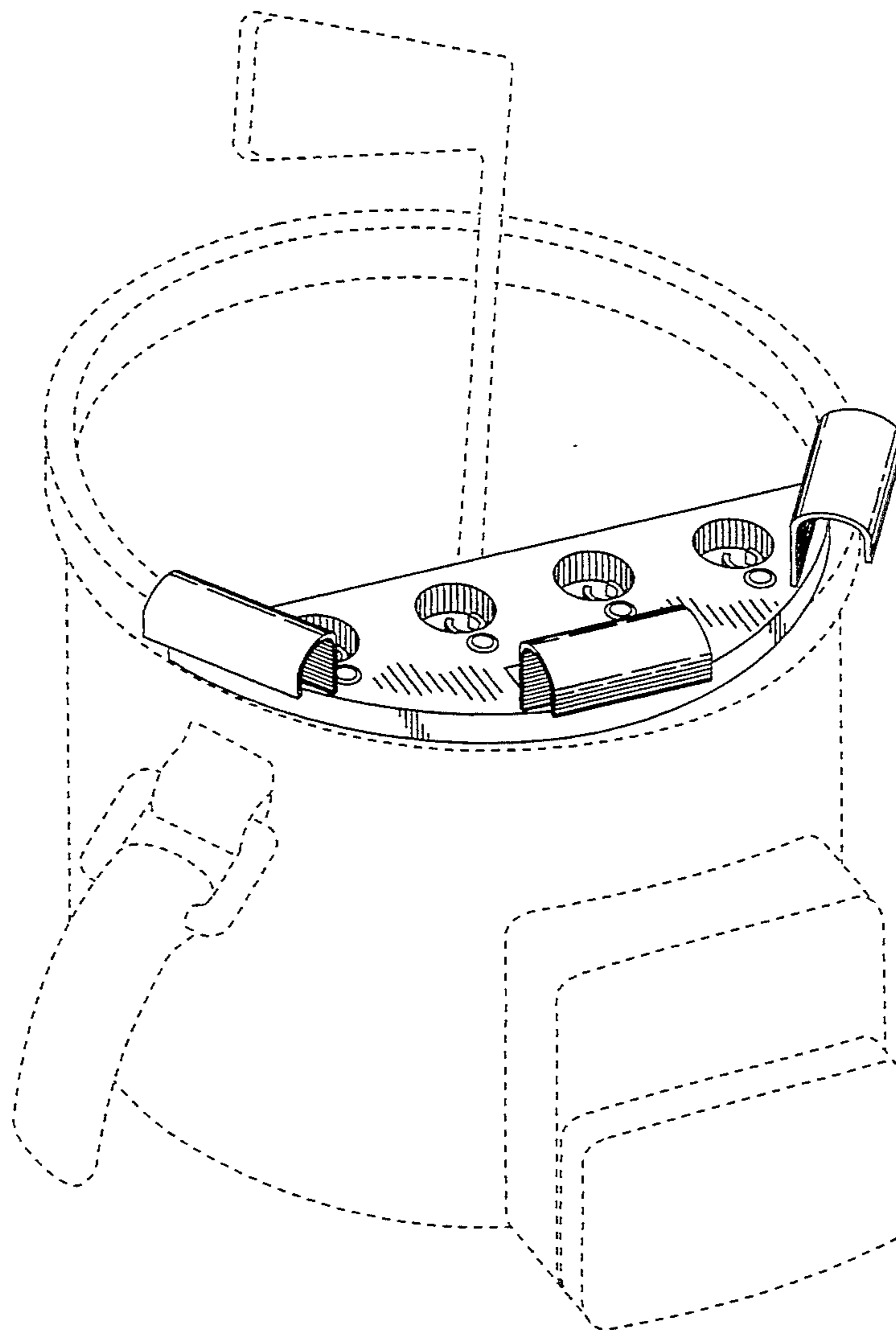
FIG. 1 is a perspective view of a golf club holder showing my new design;

FIG. 2 is a top plan view thereof;

FIG. 3 is a bottom plan view thereof; and,

FIG. 4 is a side elevation view thereof.

The broken line showing of a golf bag is for illustrative purposes only and forms no part of the claimed design.



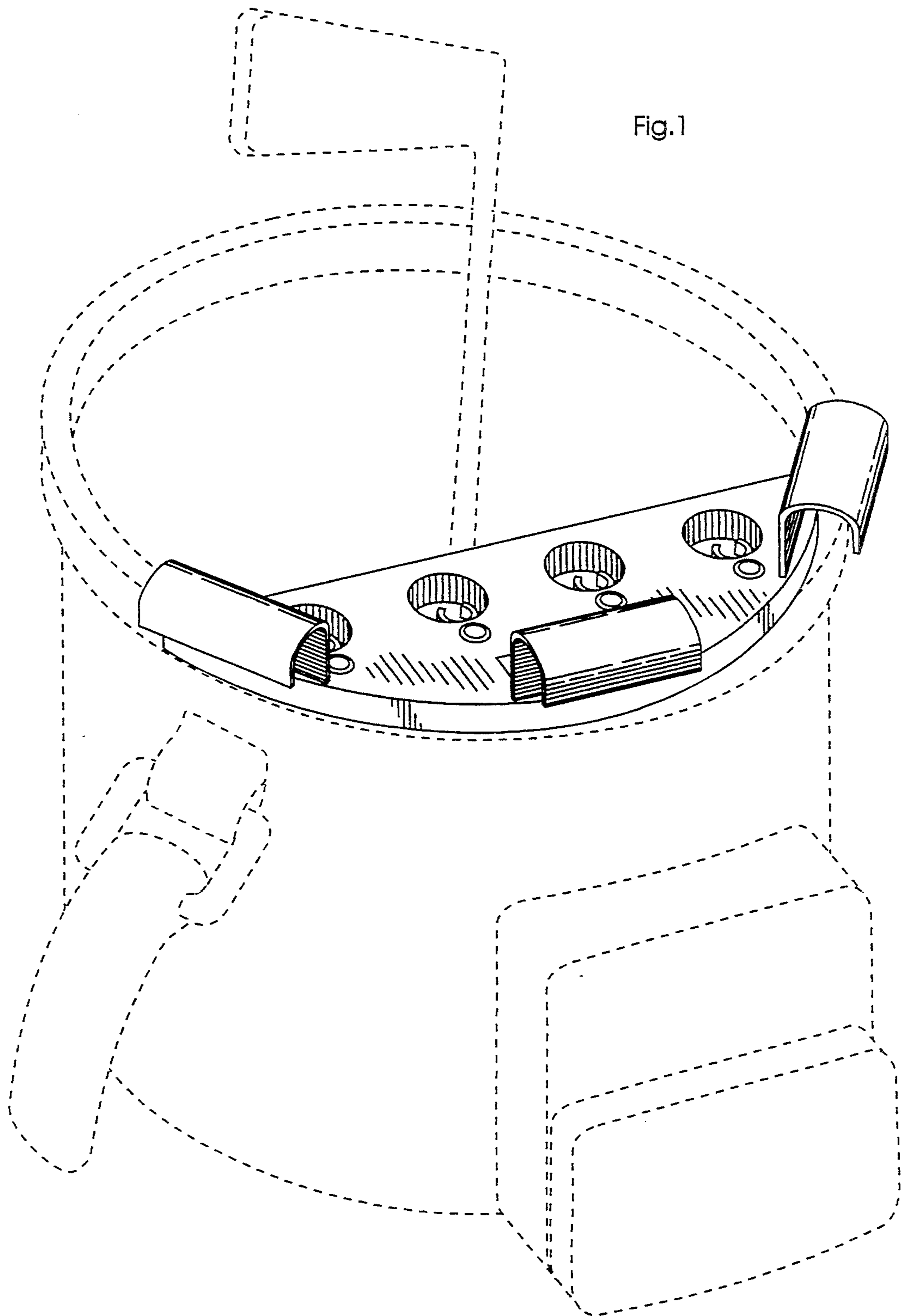


Fig.2

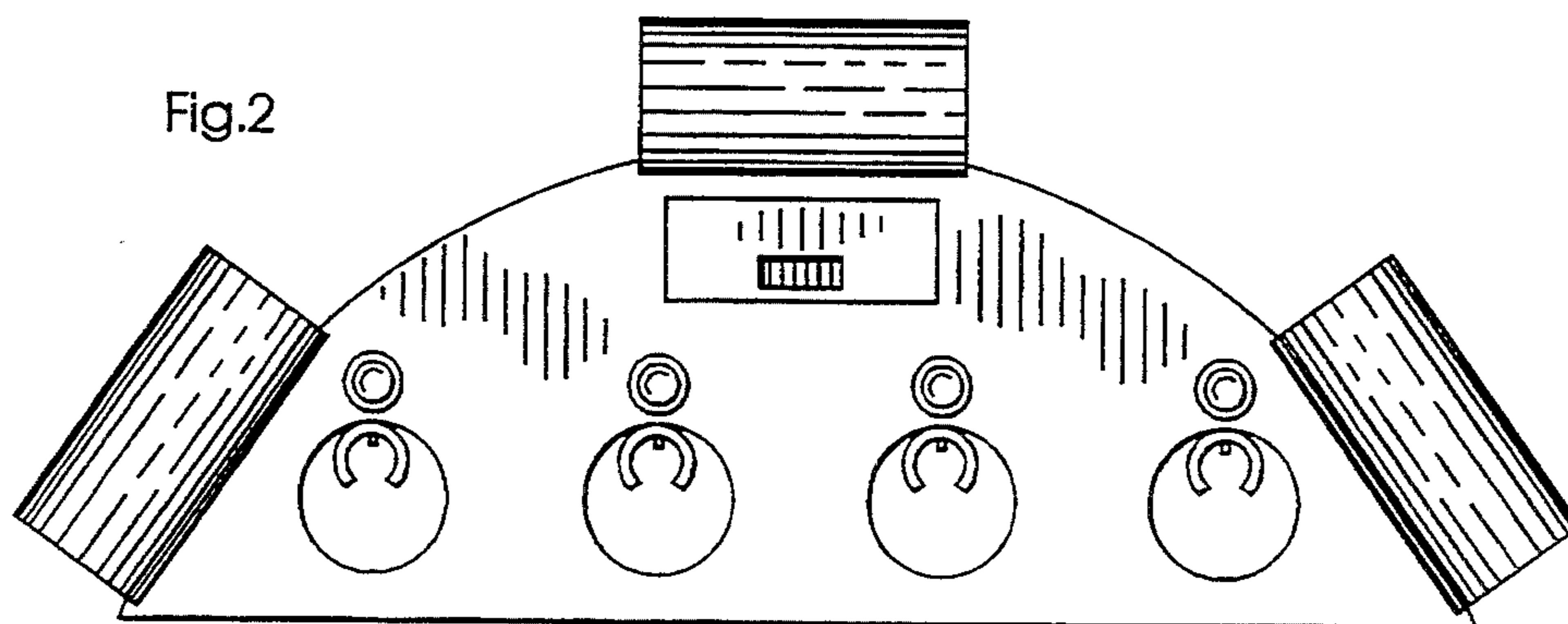


Fig.3

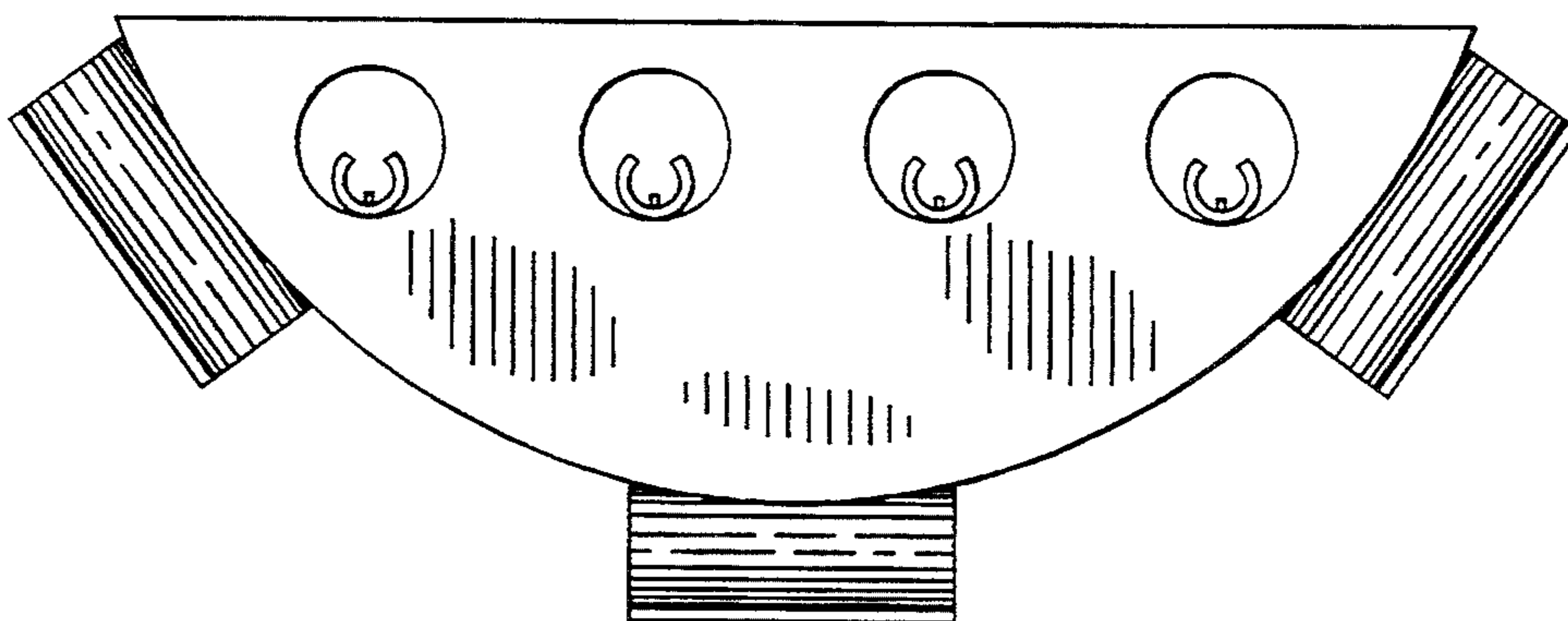


Fig.4

