



US00D361206S

United States Patent [19] Stanley

[11] Patent Number: **Des. 361,206**

[45] Date of Patent: **** Aug. 15, 1995**

[54] **BASKET FOR HOLDING CONTAINER**

[75] Inventor: **Steve Stanley, Houston, Tex.**

[73] Assignee: **Remy Amerique, Inc., New York, N.Y.**

[**] Term: **14 Years**

[21] Appl. No.: **19,113**

[22] Filed: **Feb. 23, 1994**

[52] U.S. Cl. **D3/306**

[58] Field of Search **D3/304, 306; D7/619, D7/620; D34/12; 206/507; 211/74, 181, 106, 126; 220/485, 491, 500; 294/31.2; D24/127, 128**

[56] **References Cited**

U.S. PATENT DOCUMENTS

D. 180,037	4/1957	Singiser	D3/306
D. 264,761	6/1982	Dekarski	D3/306
D. 343,712	1/1994	Linder	D3/306
995,486	6/1911	Schaumburg	220/491
2,879,023	3/1959	Barrier et al. .	
2,888,179	5/1959	Daggett	294/31.2
3,319,916	5/1967	Malicoat .	
3,826,408	7/1974	Berndt et al. .	
3,908,952	9/1975	Von Alven .	
3,945,524	3/1976	Tkaciukas .	
4,085,866	4/1978	Fekl .	
4,288,007	9/1981	Rogers et al. .	
4,437,586	3/1984	Columbus .	
4,709,891	12/1987	Barnett .	
4,727,890	3/1988	Vincent .	
4,928,856	5/1990	White .	
4,932,624	6/1990	Holm .	
5,106,046	4/1992	Rowles et al. .	

FOREIGN PATENT DOCUMENTS

0724881 2/1955 United Kingdom 220/485

Primary Examiner—Terry A. Wallace
Assistant Examiner—Richelle Shelton
Attorney, Agent, or Firm—Pennie & Edmonds

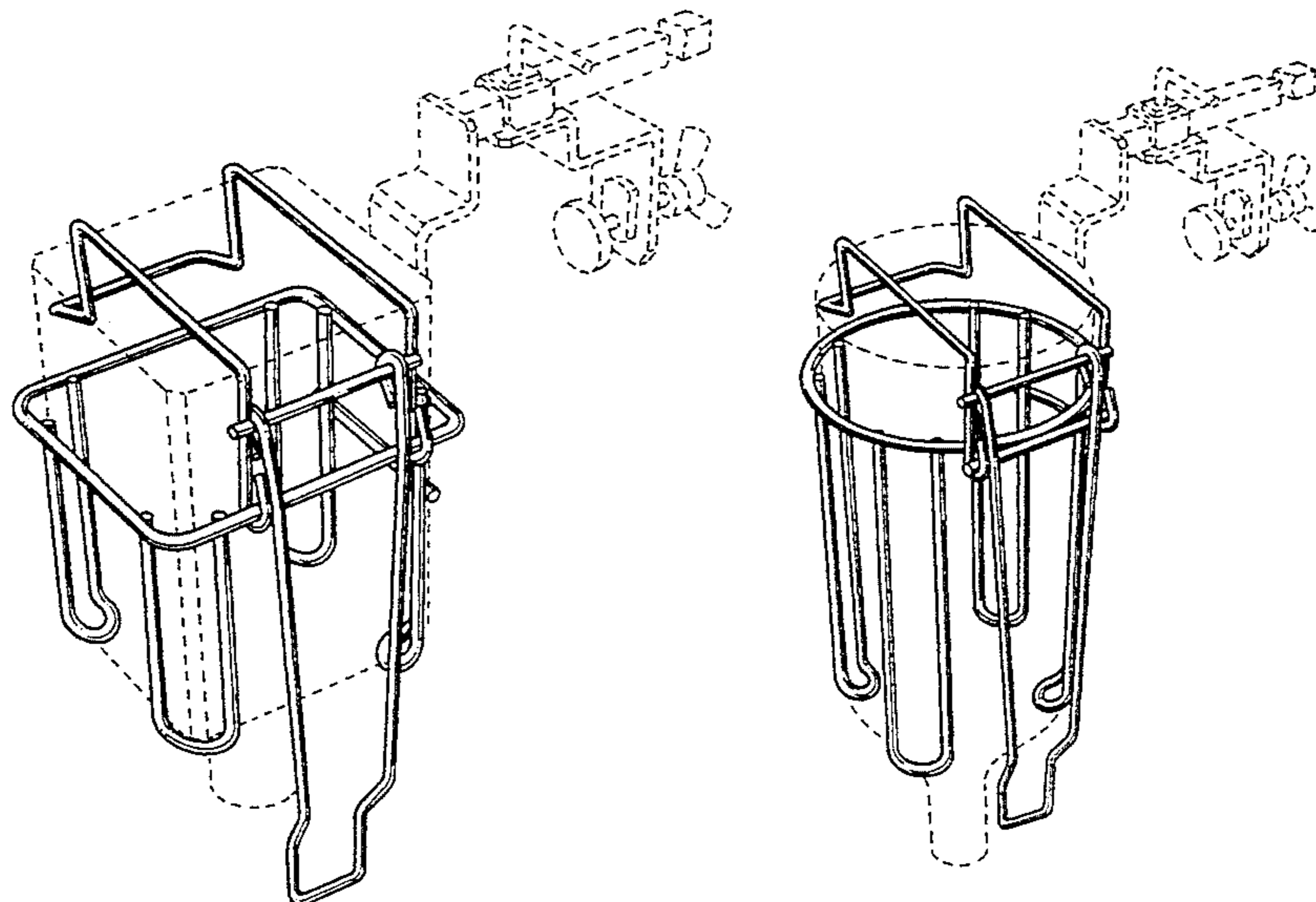
[57] **CLAIM**

The ornamental design for a basket for holding container, as shown and described.

DESCRIPTION

FIG. 1 is a perspective view of a basket for holding container showing my new design; FIG. 2 is a rear elevation view thereof; FIG. 3 is a right side elevation view thereof; FIG. 4 is a left side elevation view thereof; FIG. 5 is a top plan view thereof; FIG. 6 is a front elevation view thereof; FIG. 7 is a bottom plan view thereof; FIG. 8 is a perspective view of a second embodiment of FIG. 1; FIG. 9 is a rear elevation view thereof; FIG. 10 is a right side elevation view thereof; FIG. 11 is a left side elevation view thereof; FIG. 12 is a top plan view thereof; FIG. 13 is a front elevation view thereof; FIG. 14 is a bottom plan view thereof; FIG. 15 is a perspective view of a third embodiment of FIG. 1; FIG. 16 is a rear elevation view thereof; FIG. 17 is a right side elevation view thereof; FIG. 18 is a left side elevation view thereof; FIG. 19 is a top plan view thereof; FIG. 20 is a front elevation view thereof; FIG. 21 is a bottom plan view thereof; FIG. 22 is a perspective view of a fourth embodiment of FIG. 1; FIG. 23 is a rear elevation view thereof; FIG. 24 is a right side elevation view thereof; FIG. 25 is a left side elevation view thereof; FIG. 26 is a top plan view thereof; FIG. 27 is a front elevation view thereof; and, FIG. 28 is a bottom plan view thereof.

The broken lines showing the environmental structure in all the views of a basket for holding container are for illustrative purposes only and form no part of the claimed design.



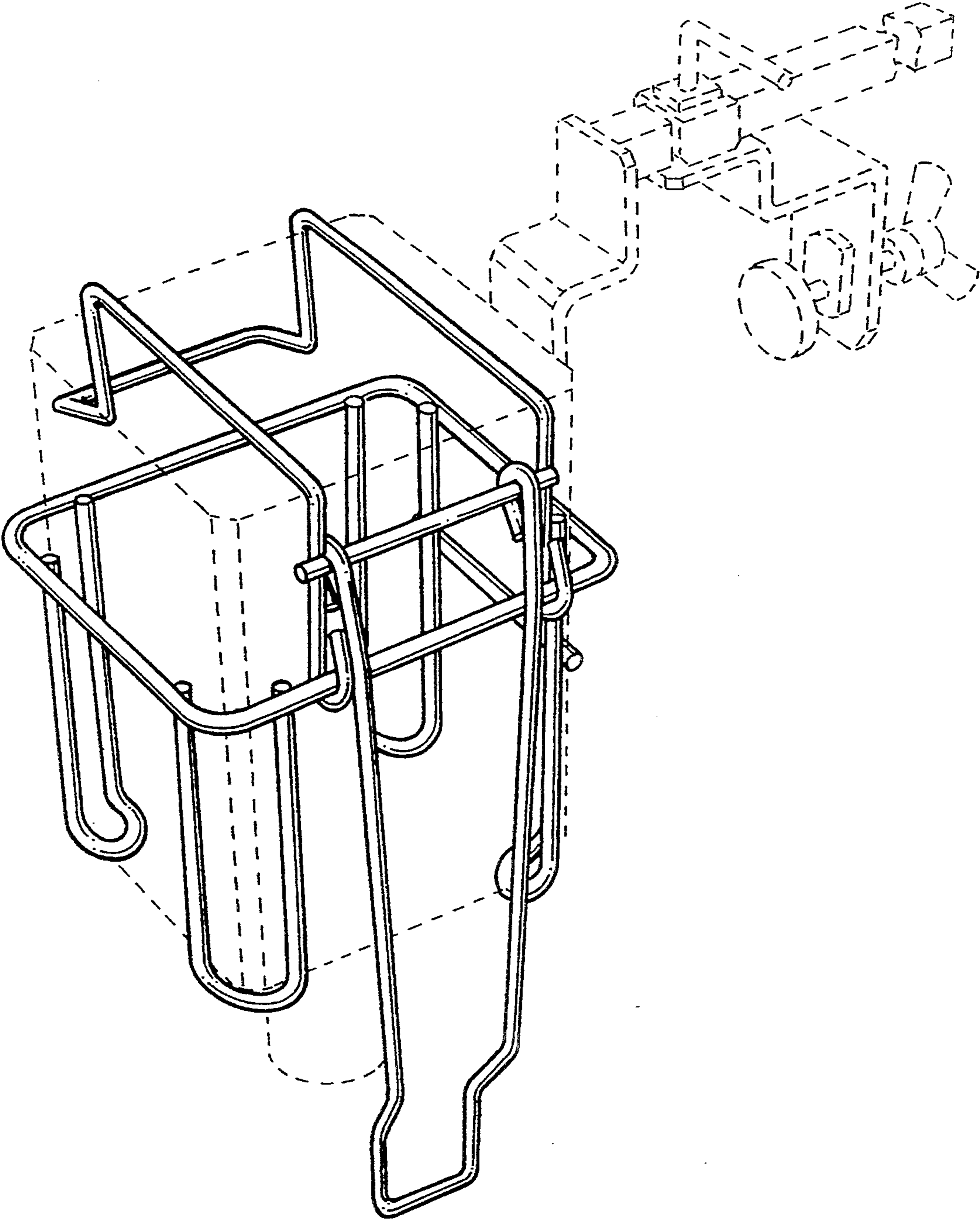


FIG. 1

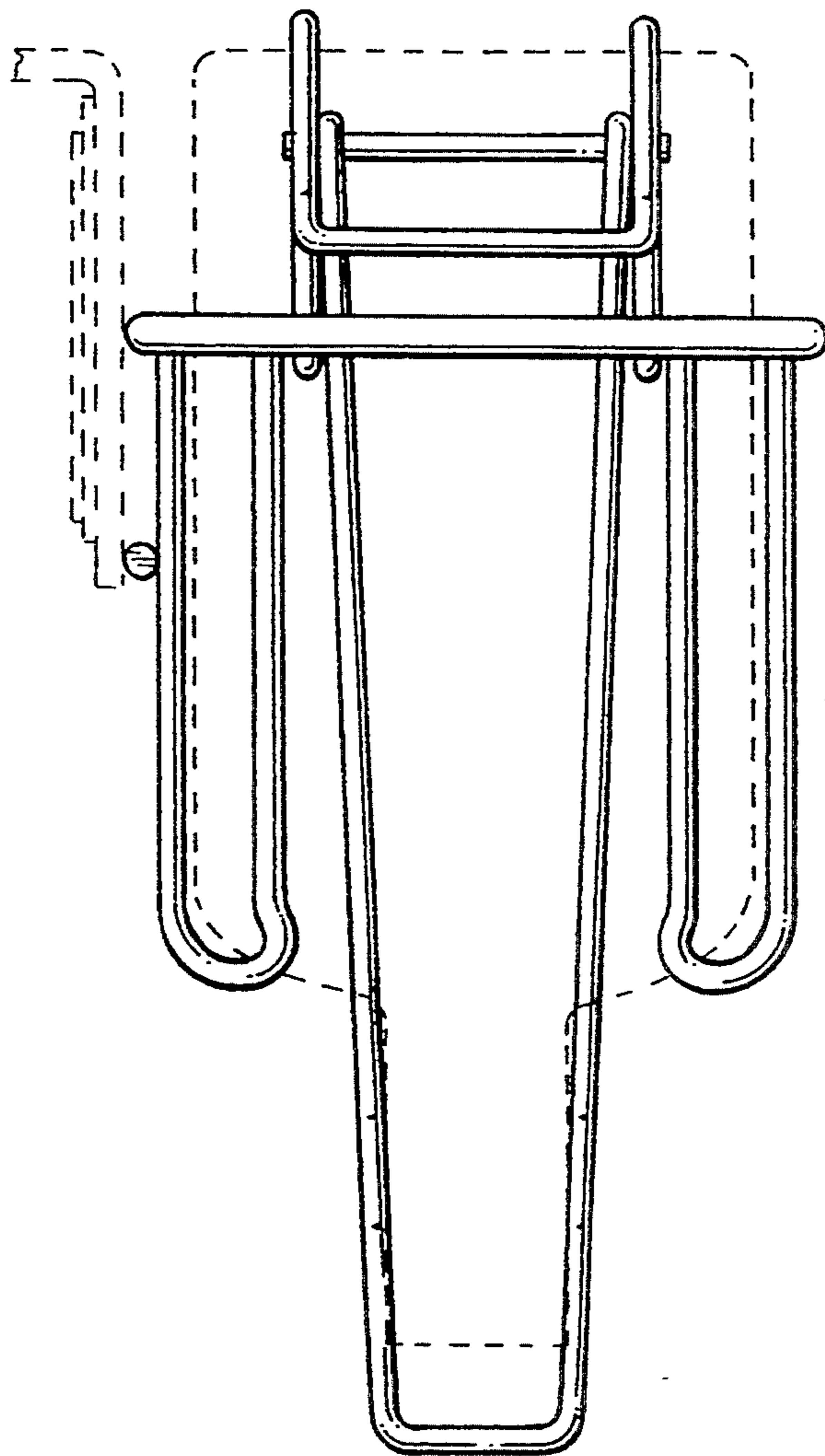


FIG. 2

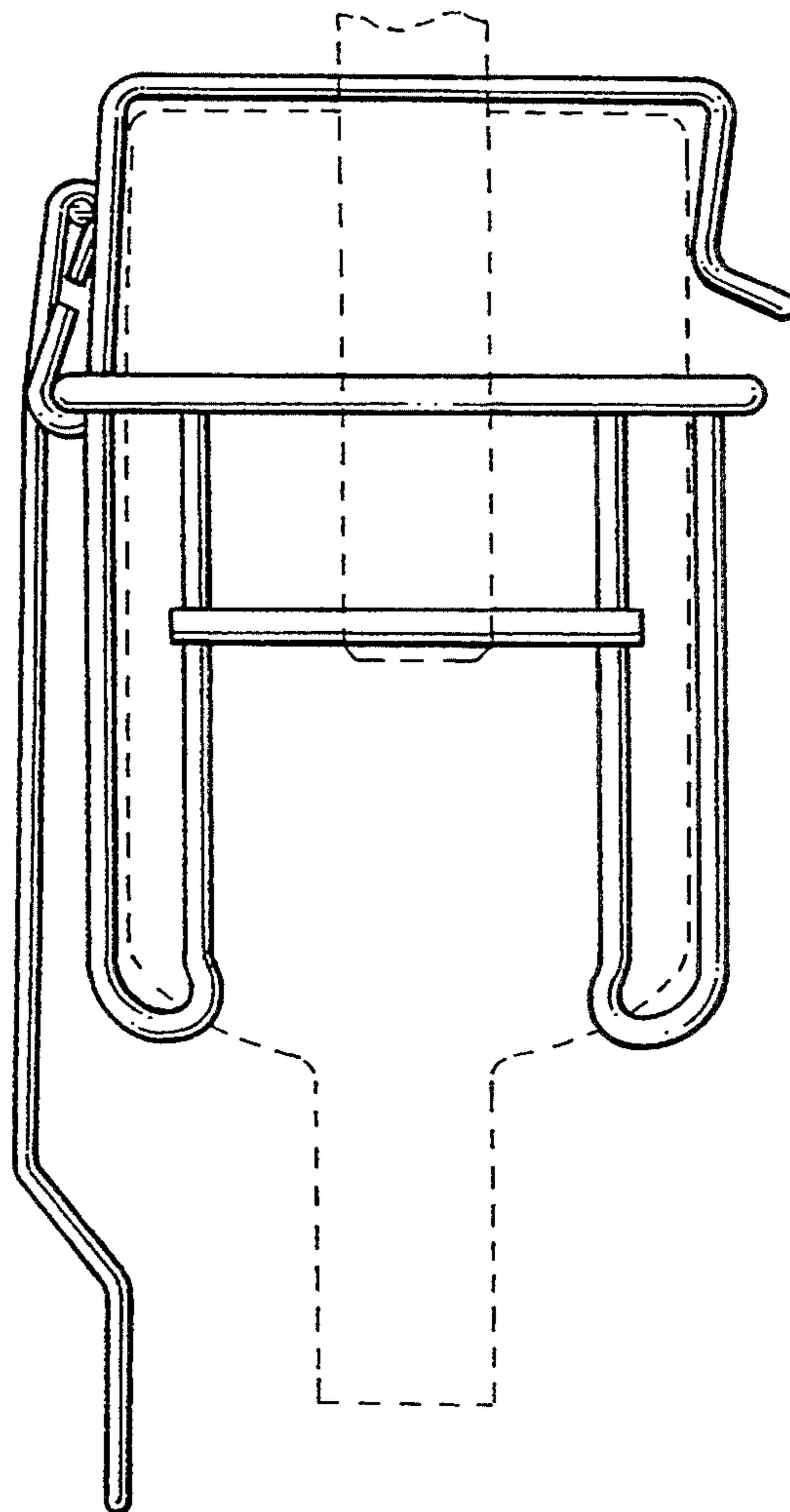


FIG. 3

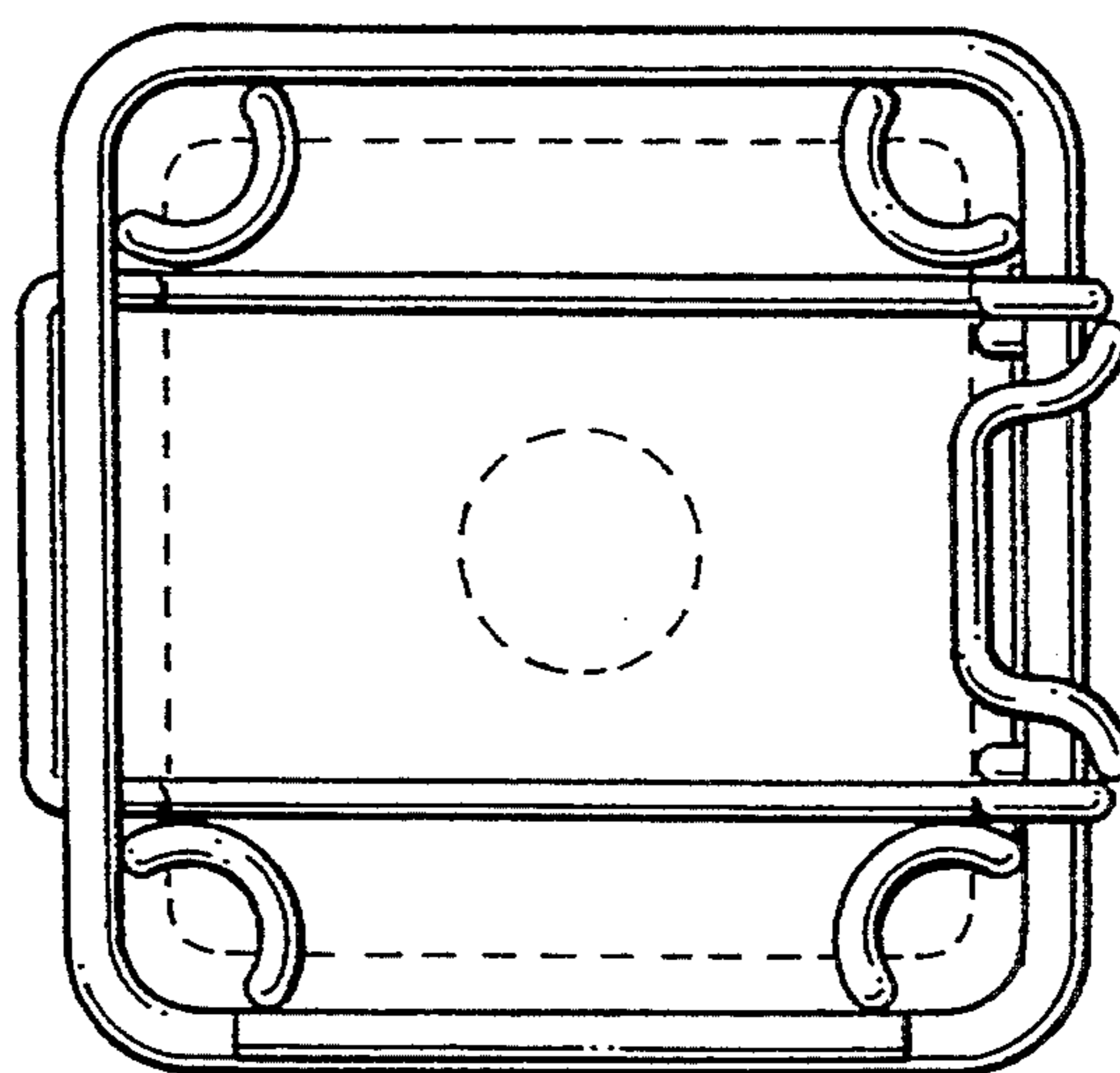


FIG. 7

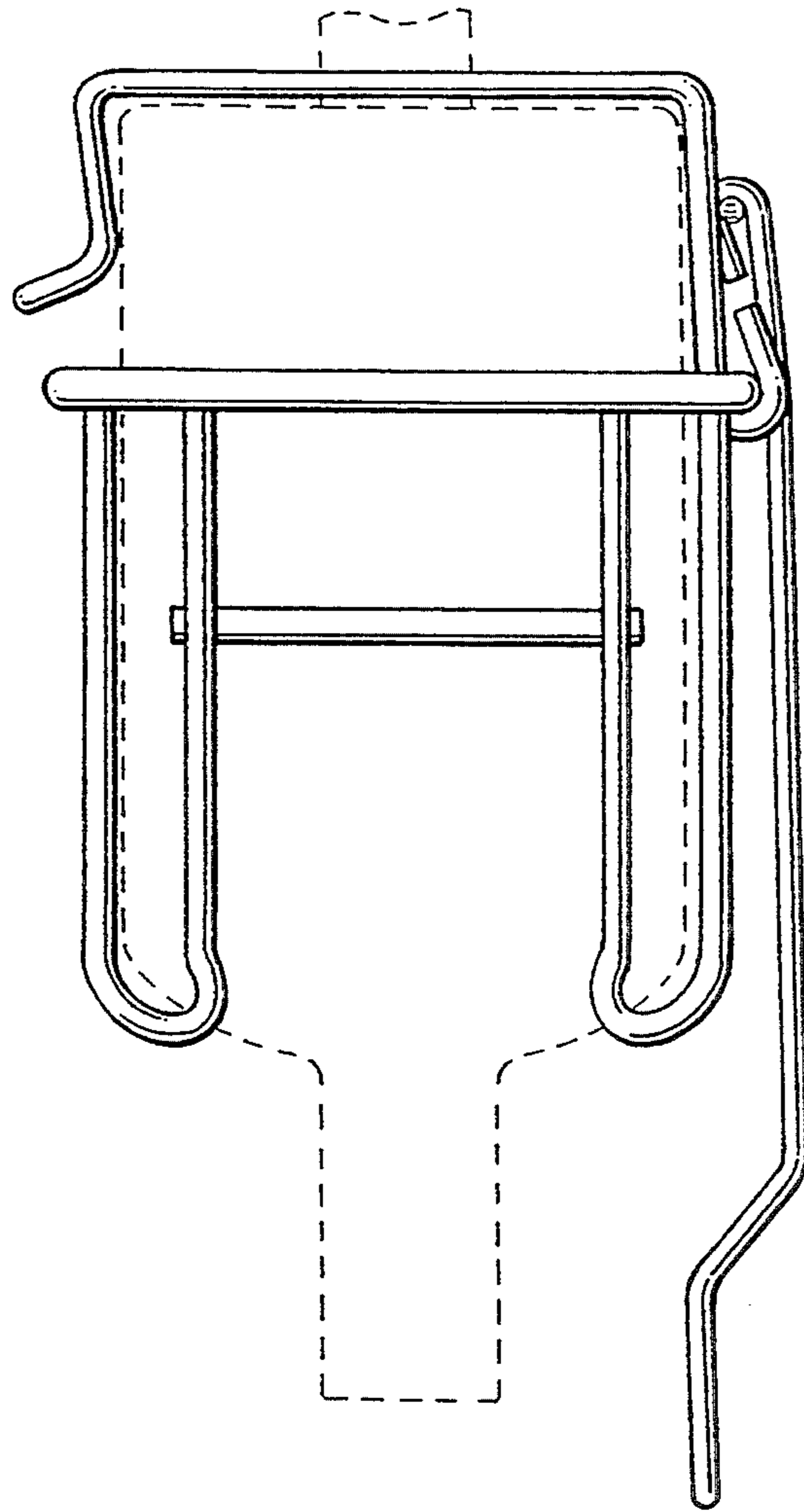


FIG. 4

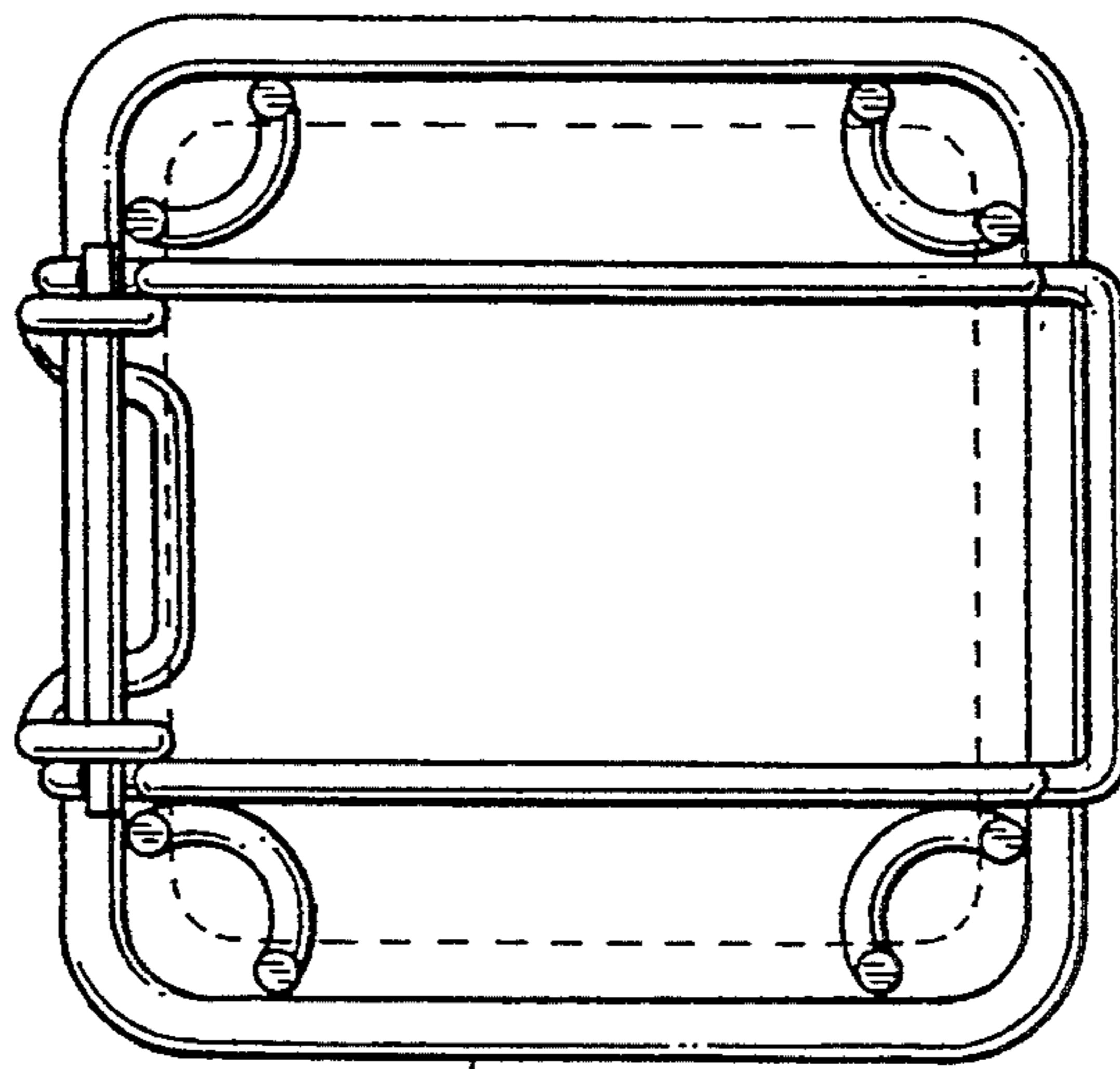


FIG. 5

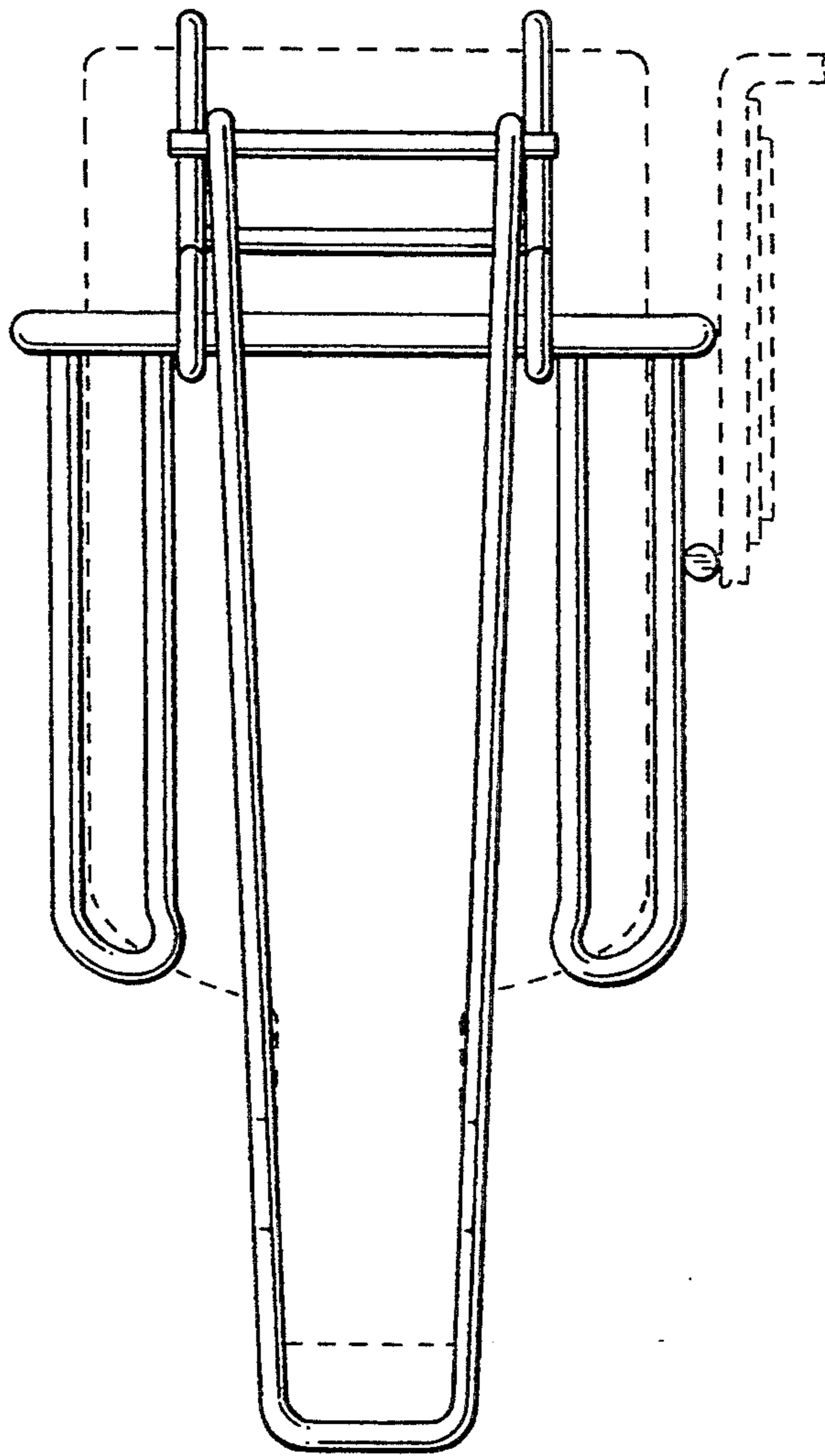


FIG. 6

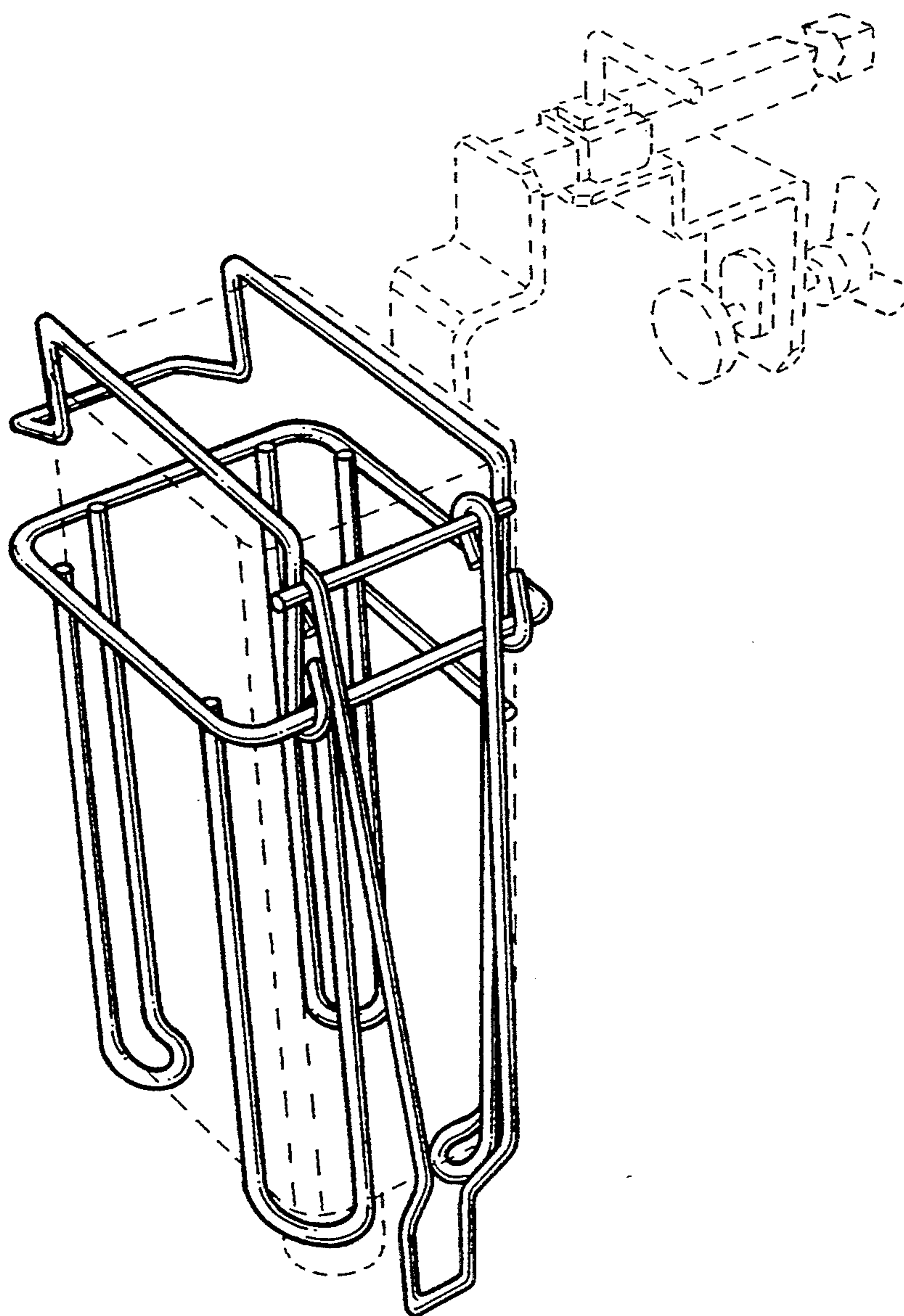


FIG. 8

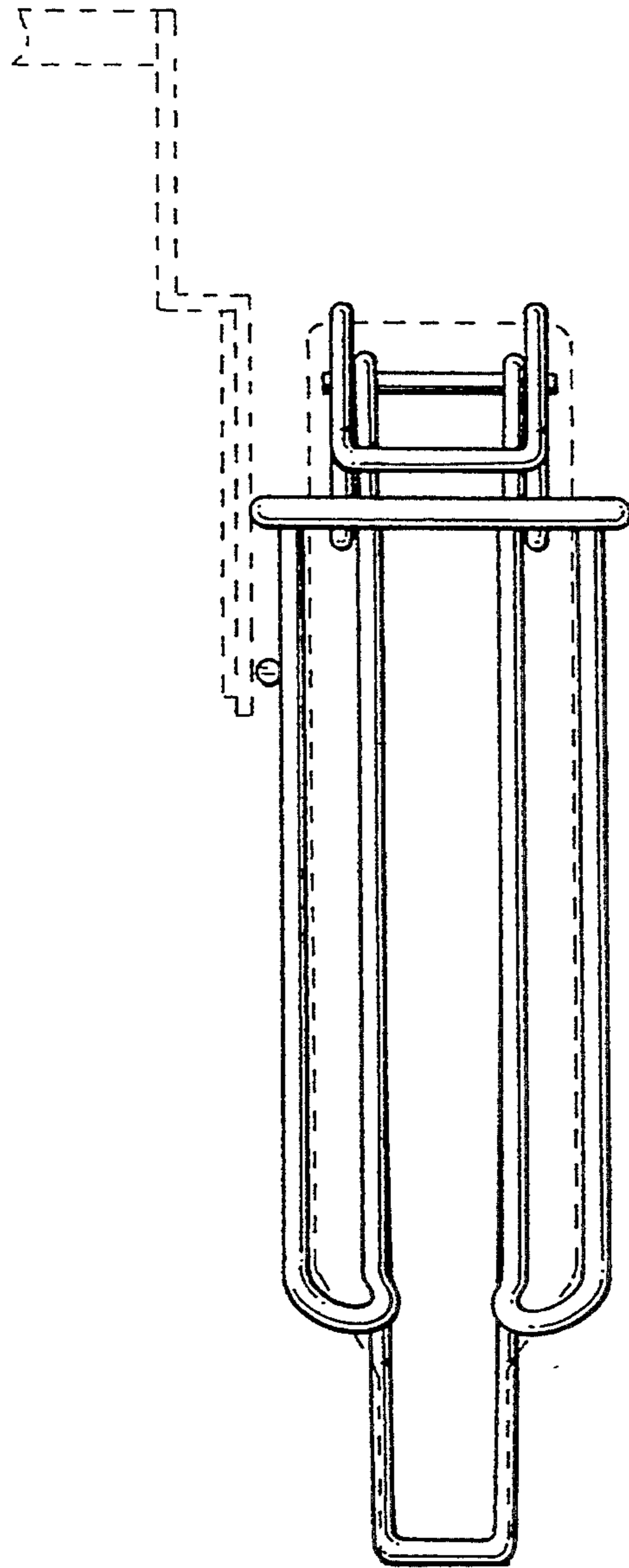


FIG. 9

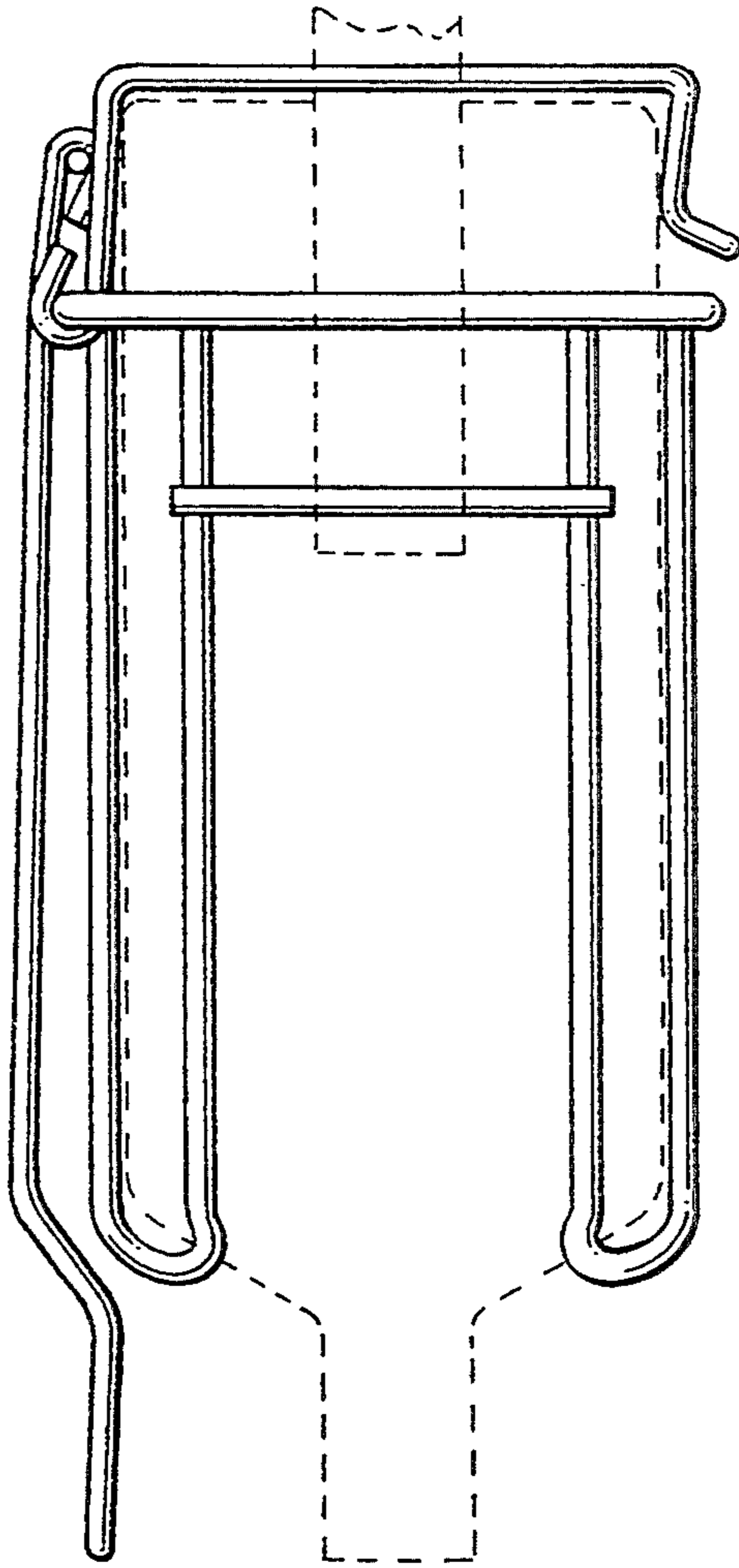


FIG. 10

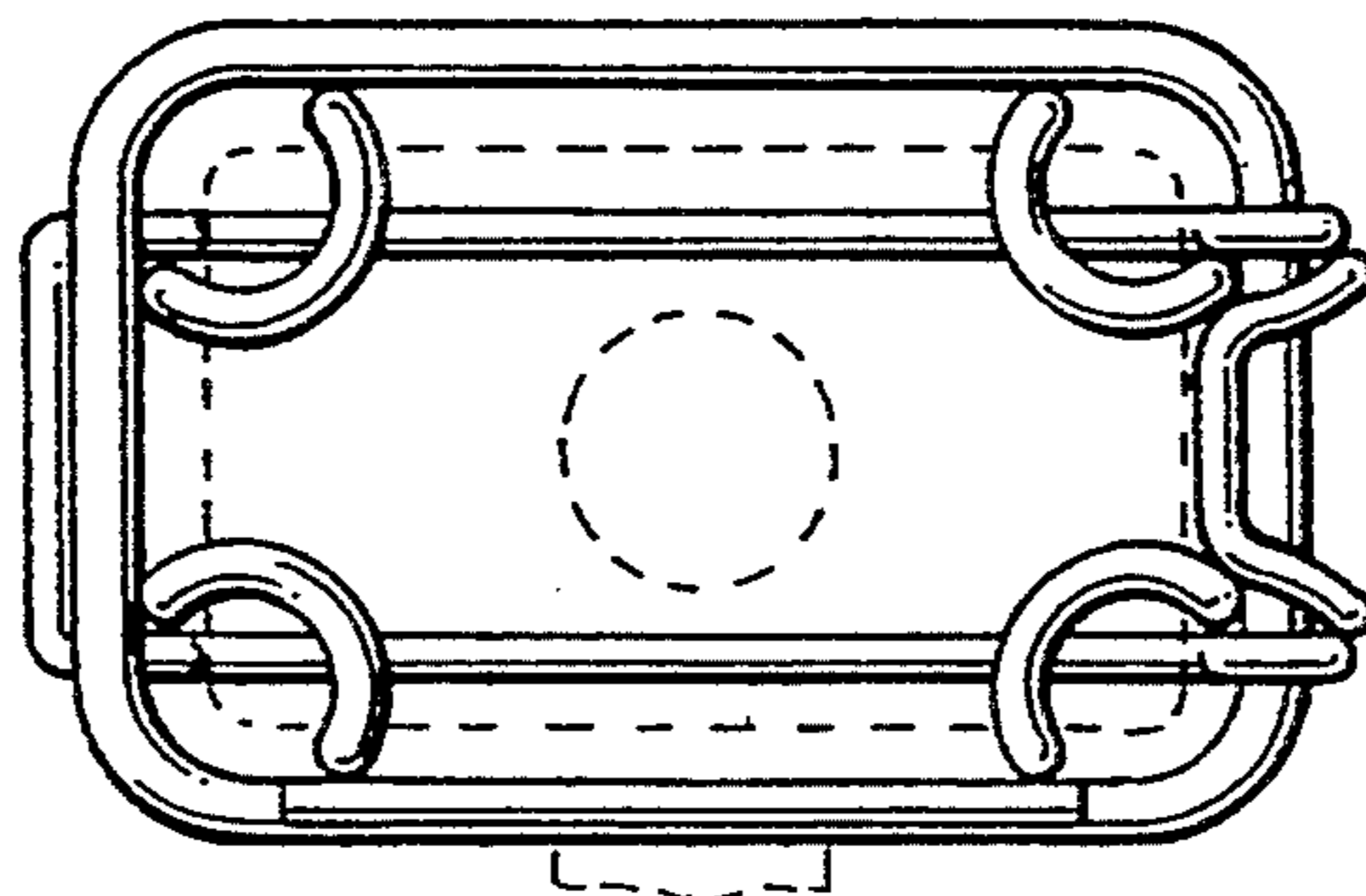


FIG. 14

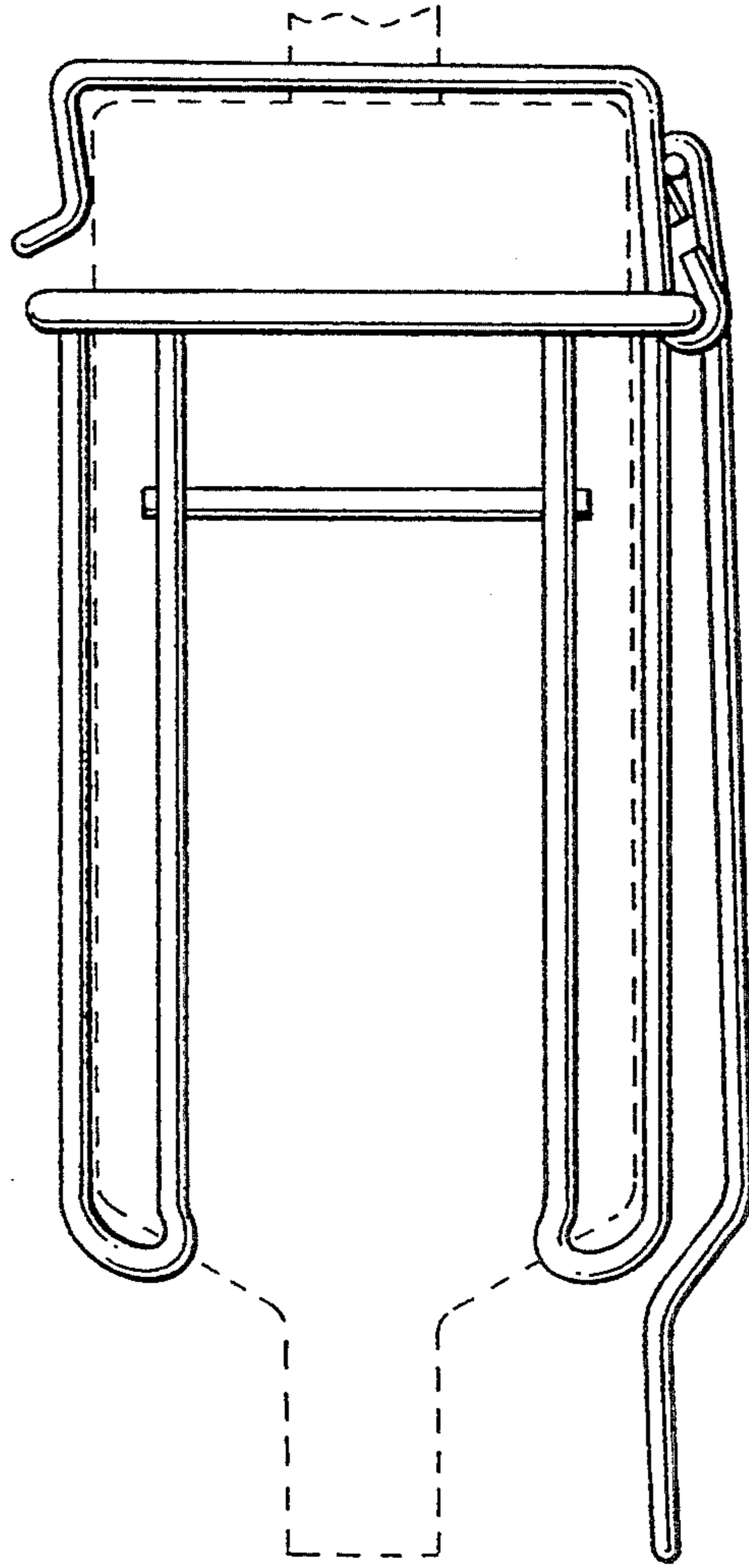


FIG. 11

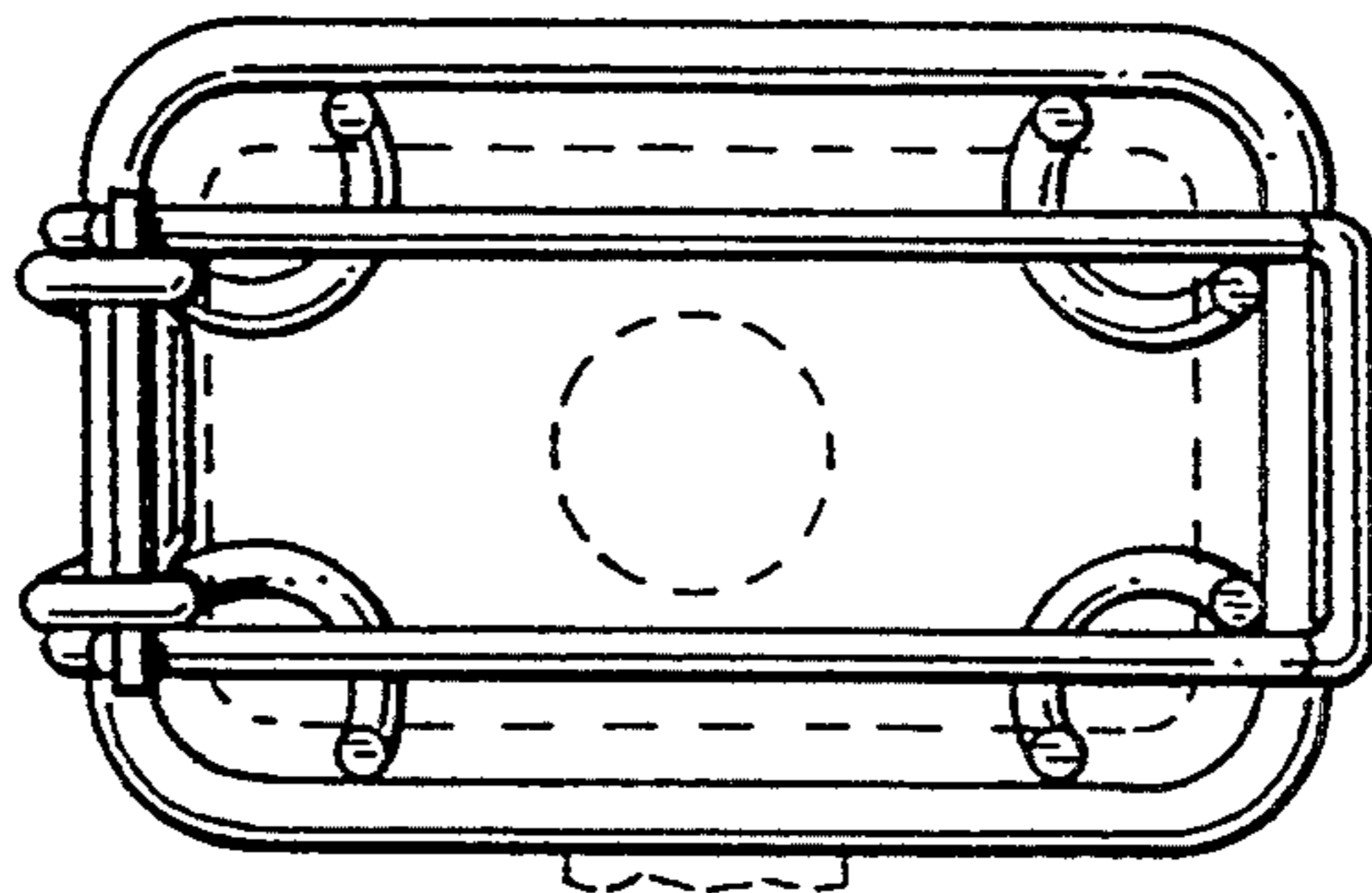


FIG. 12

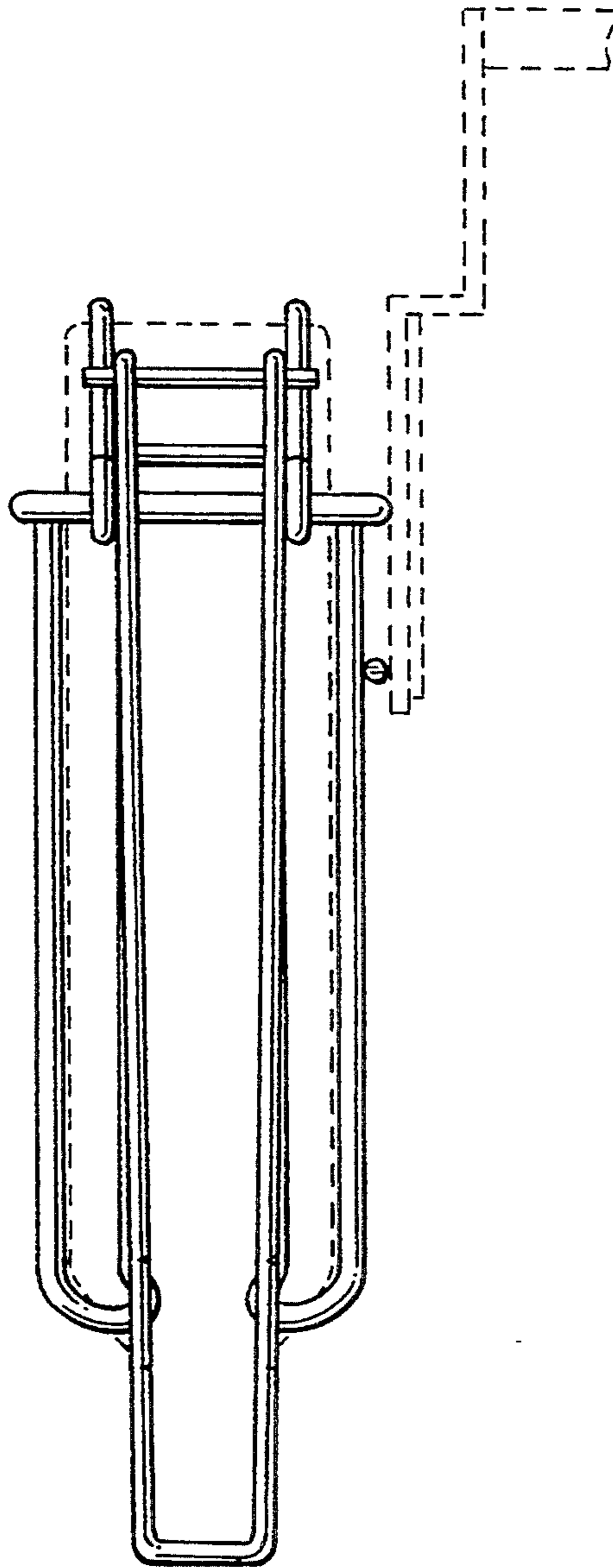


FIG. 13

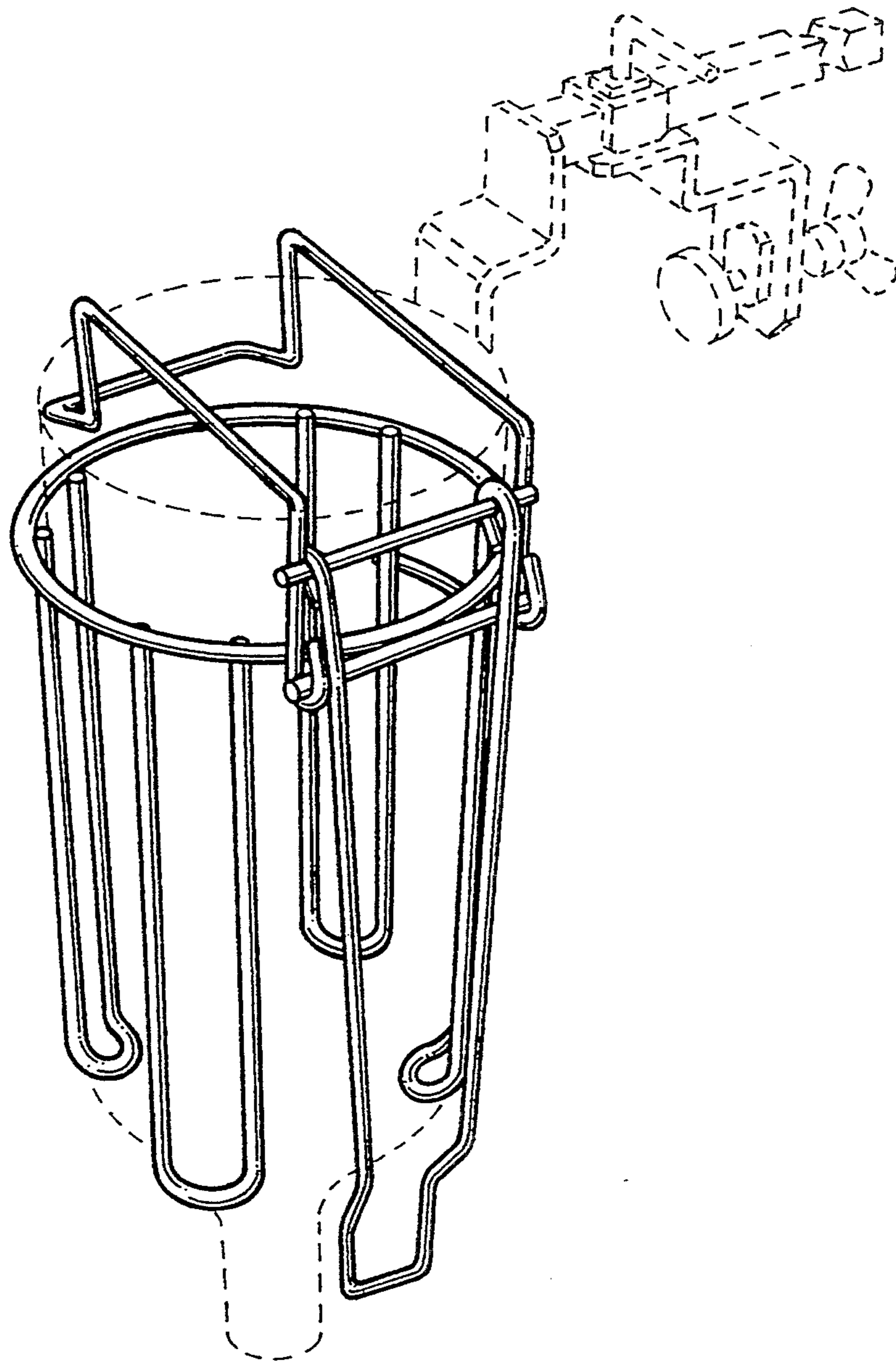


FIG. 15

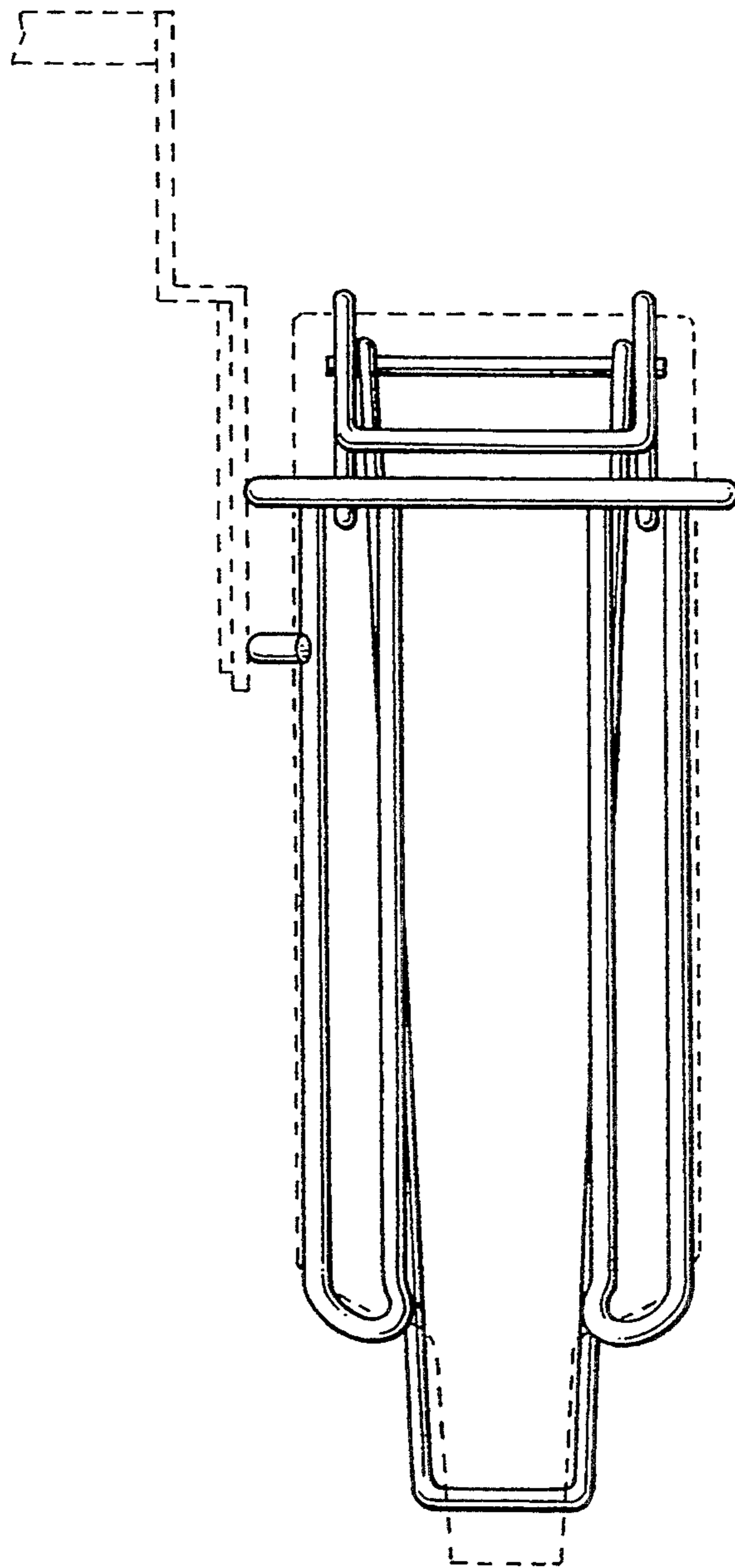


FIG. 16

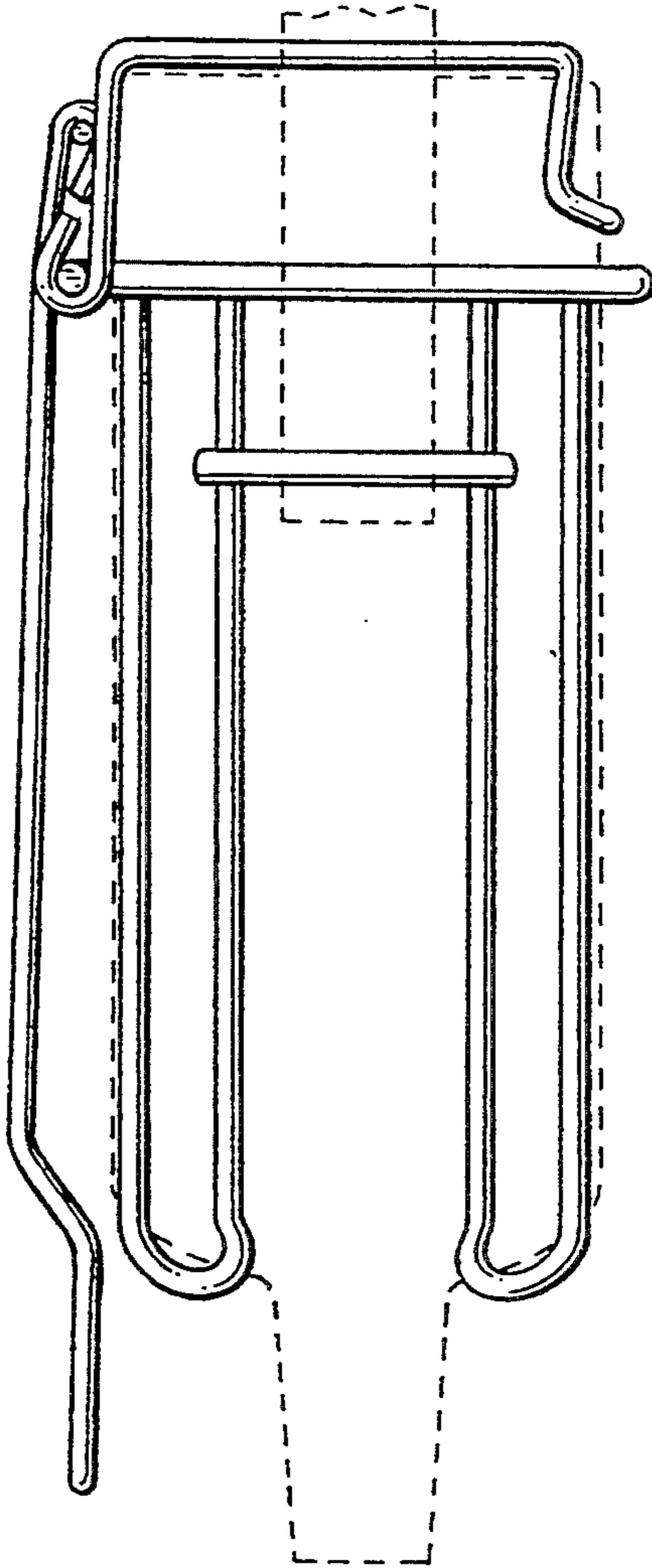


FIG. 17

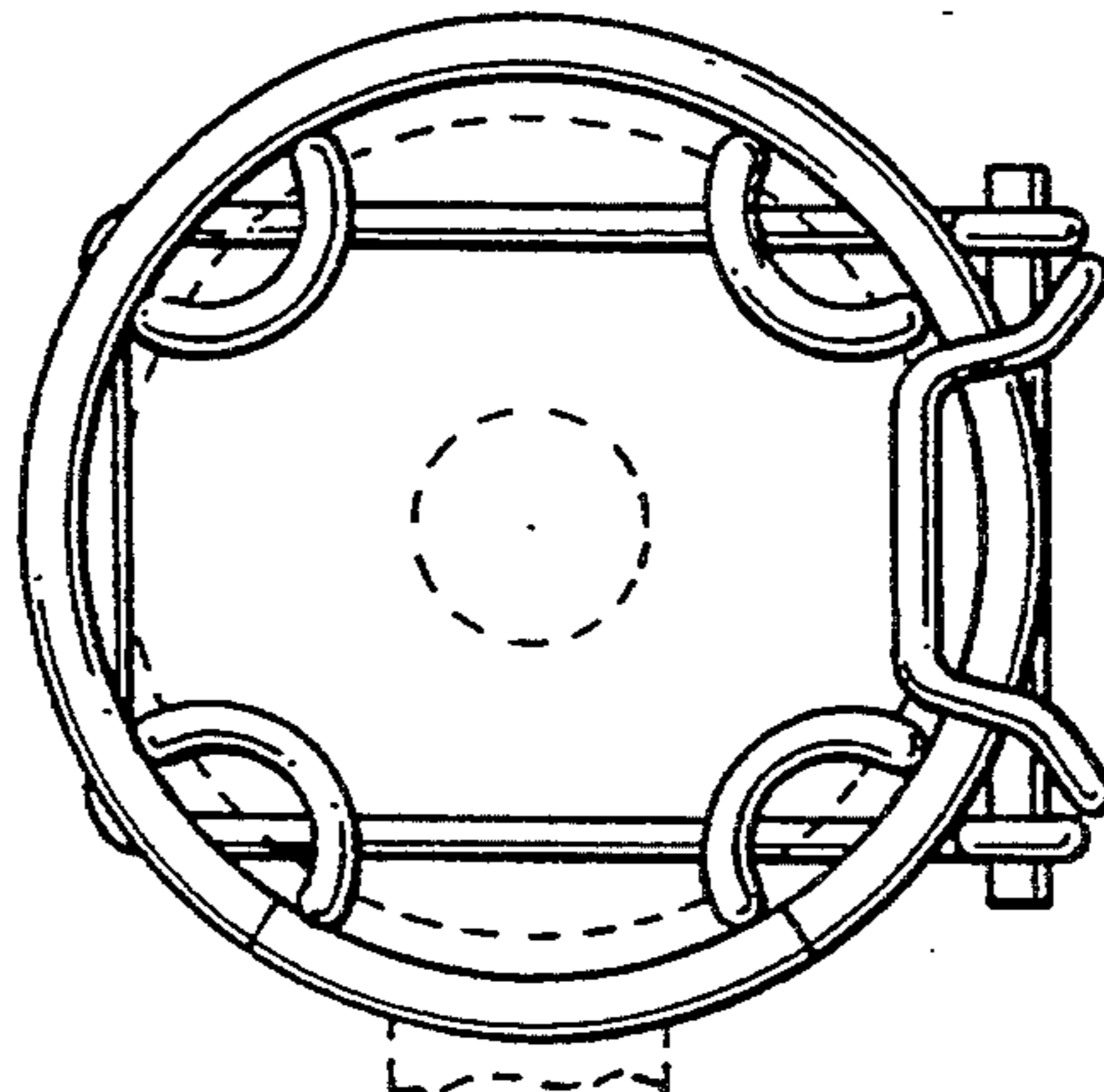


FIG. 21

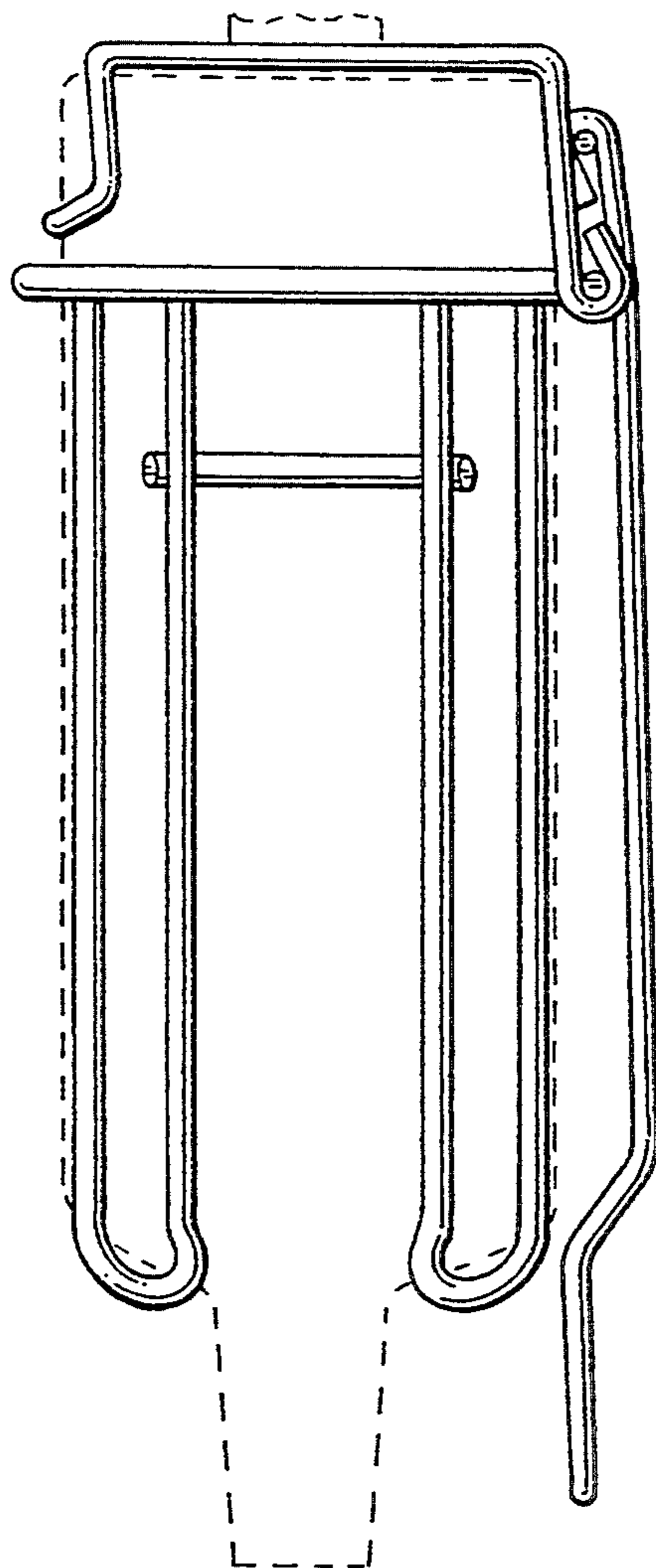


FIG. 18

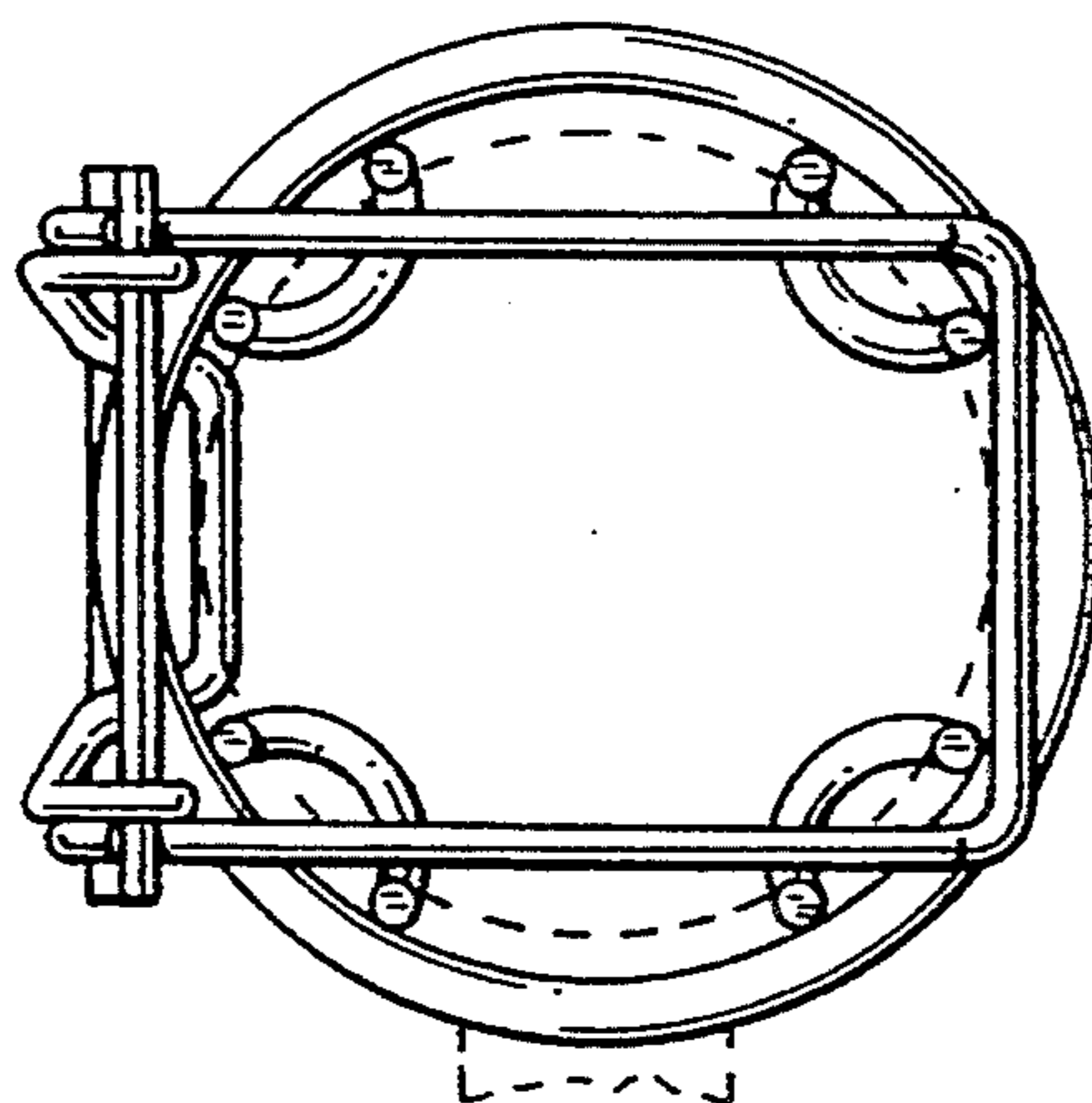


FIG. 19

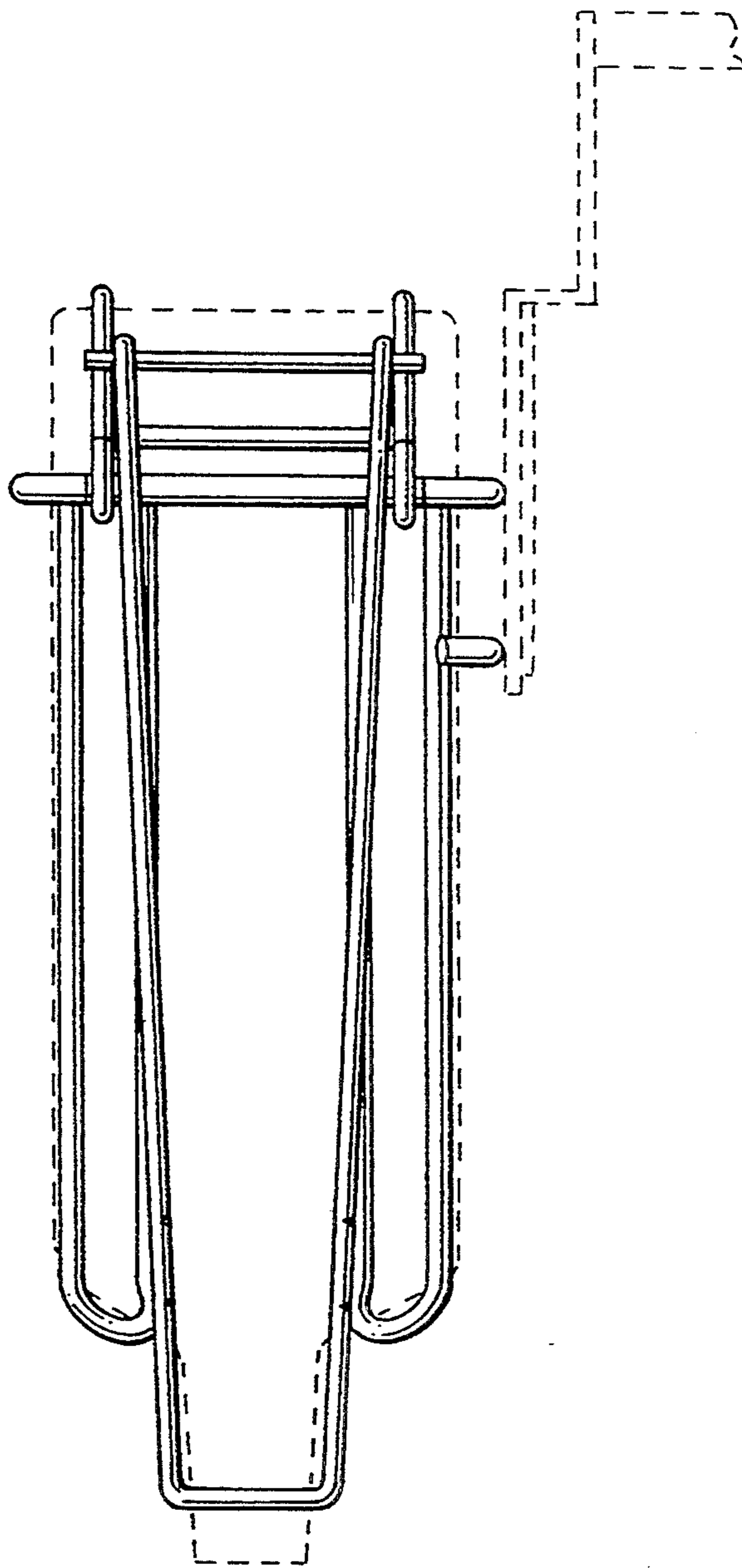


FIG. 20

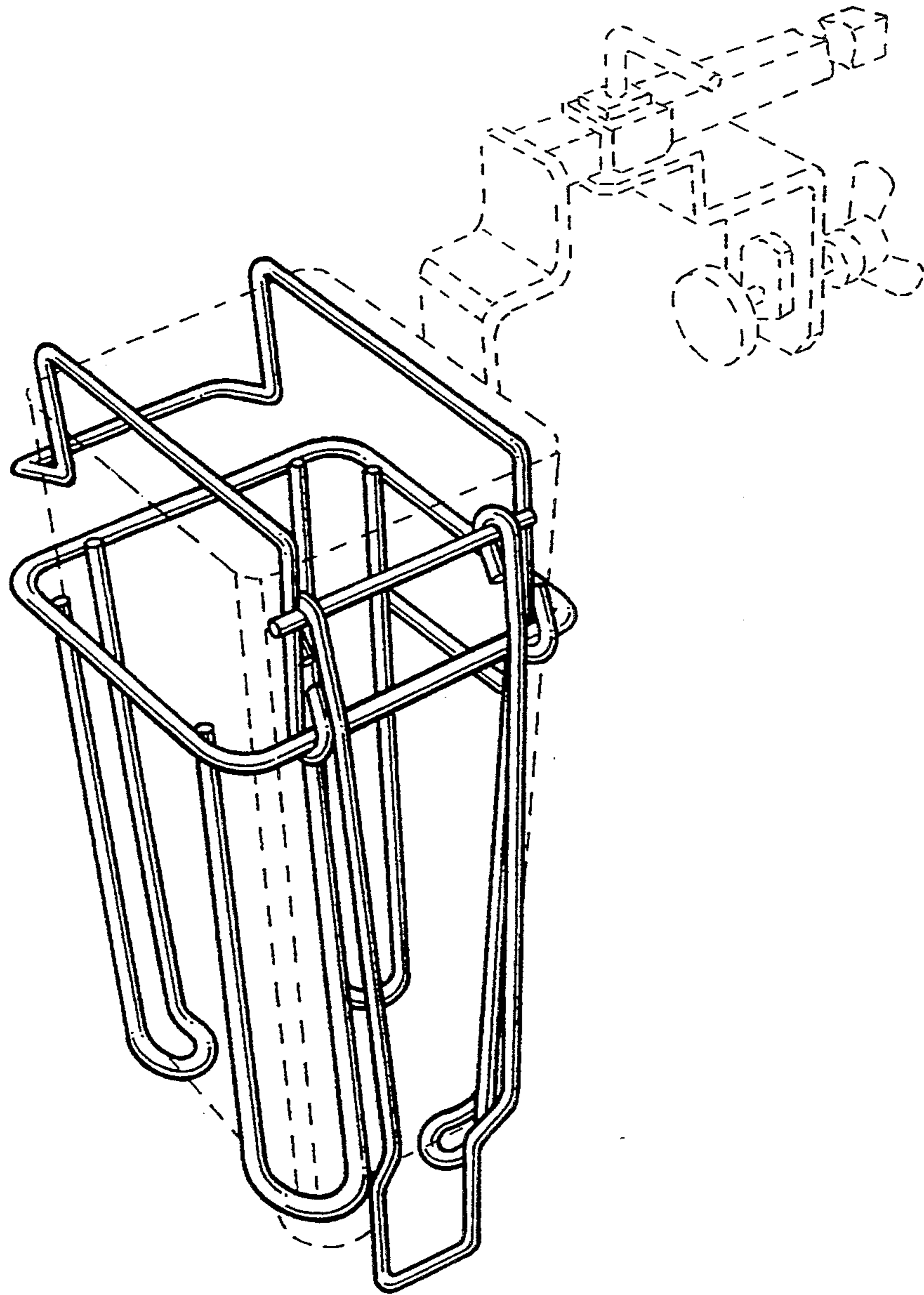


FIG. 22

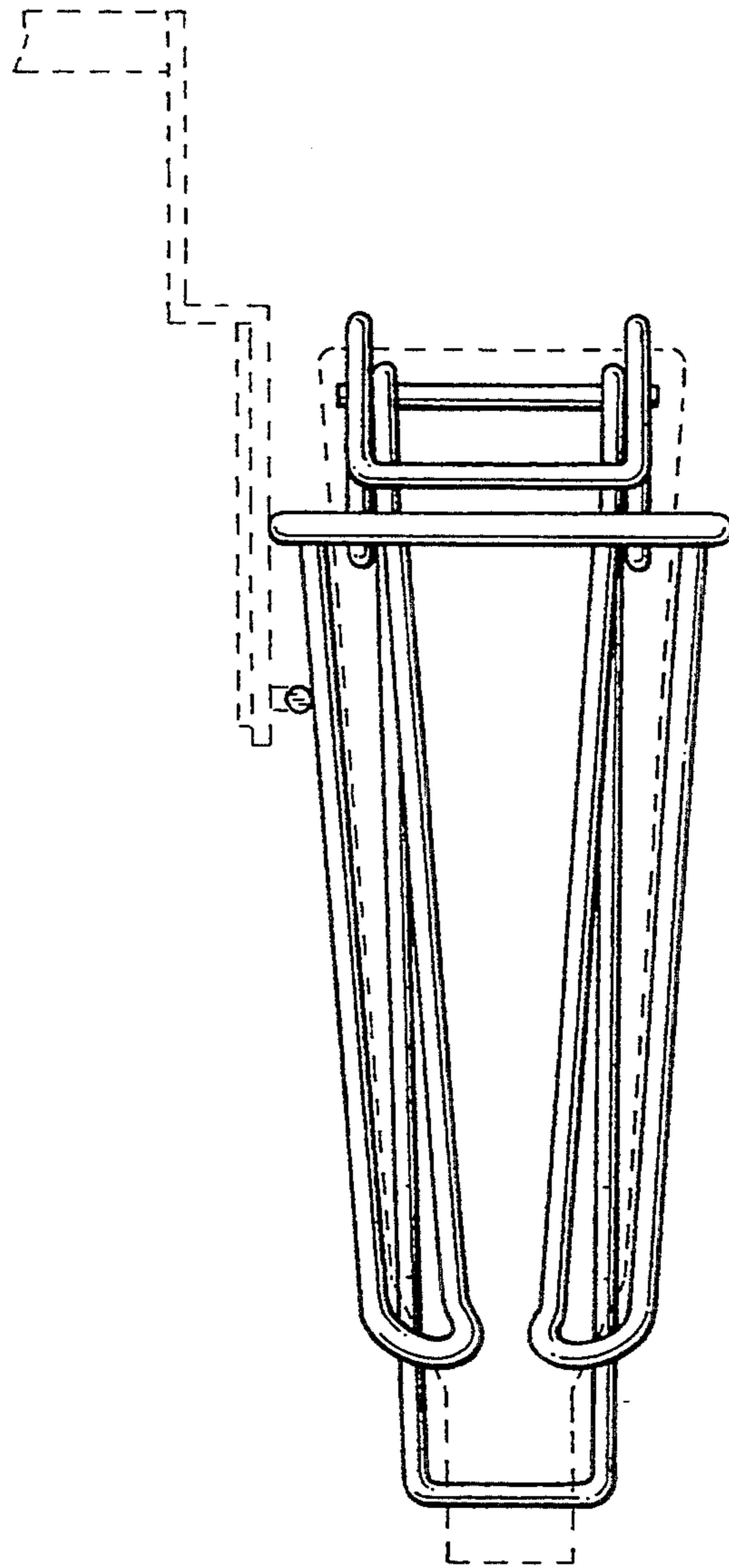


FIG. 23

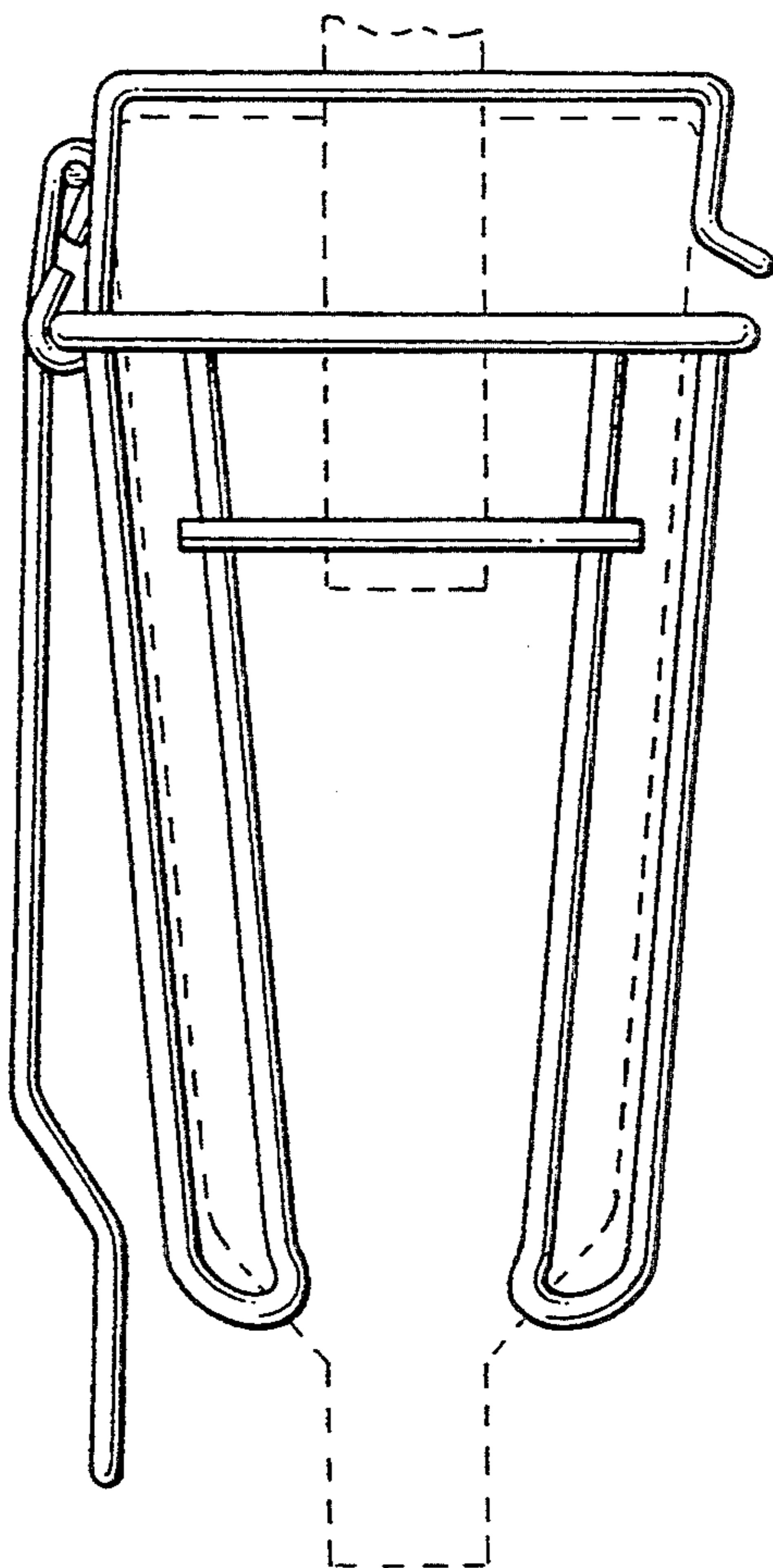


FIG. 24

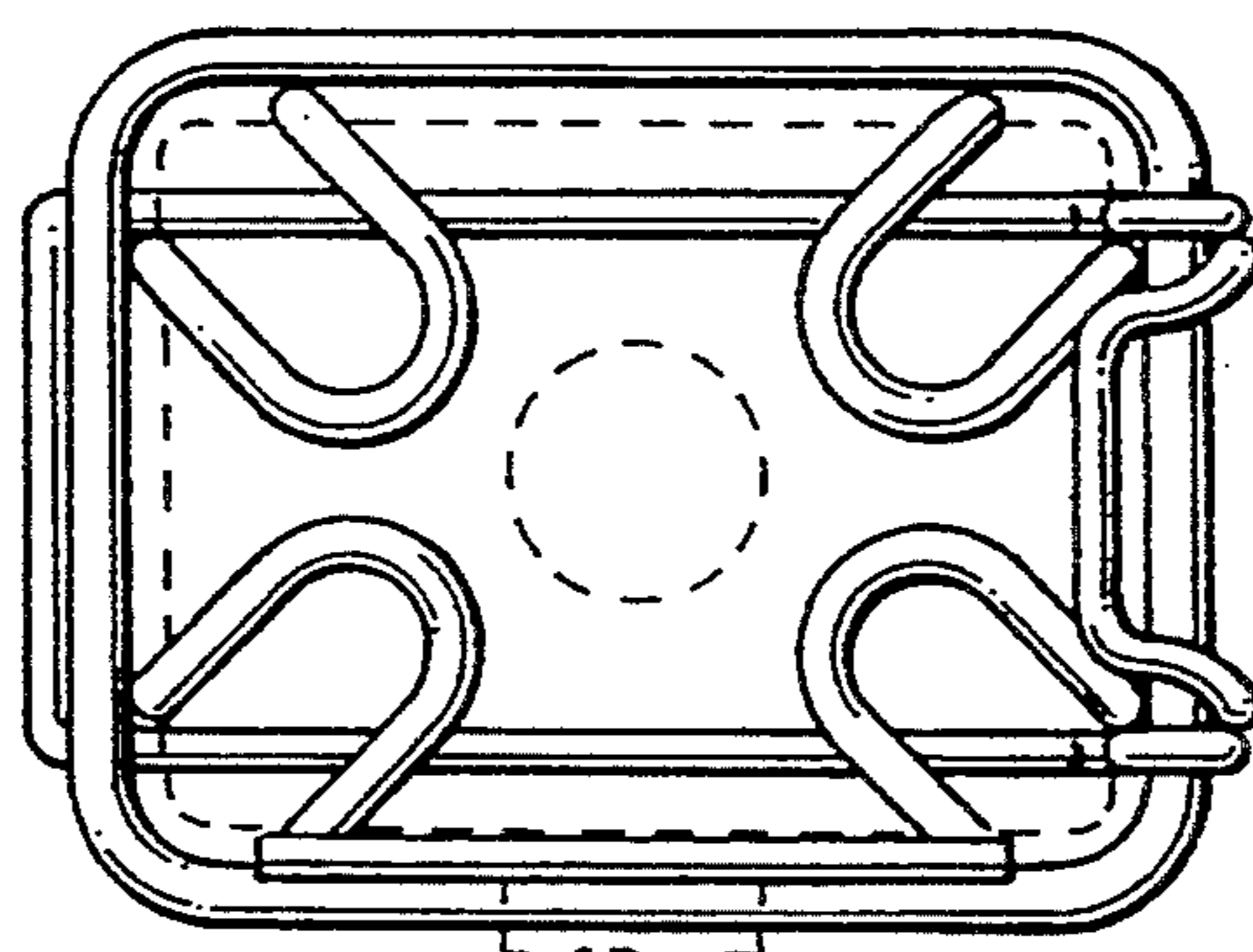


FIG. 28

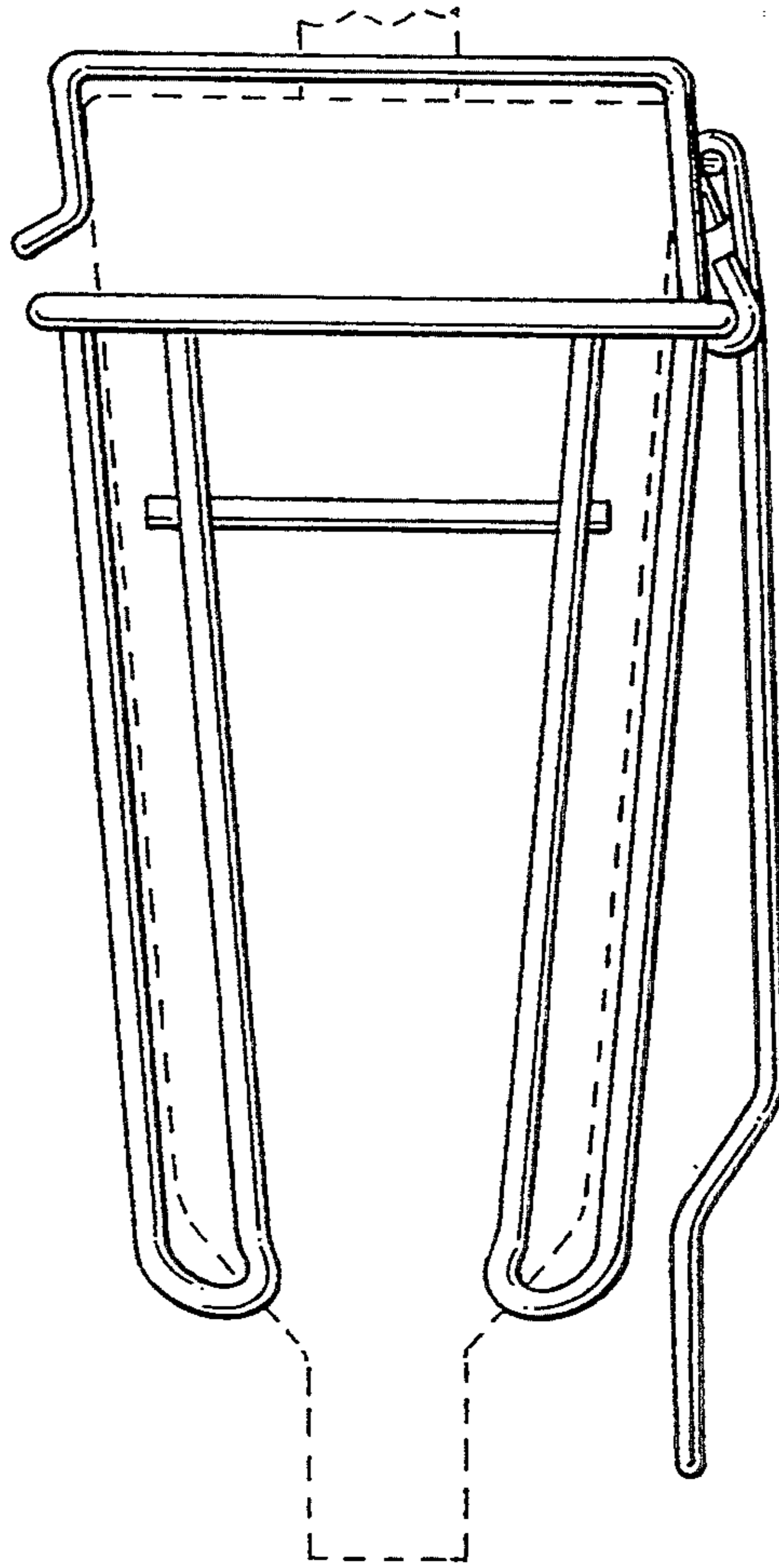


FIG. 25

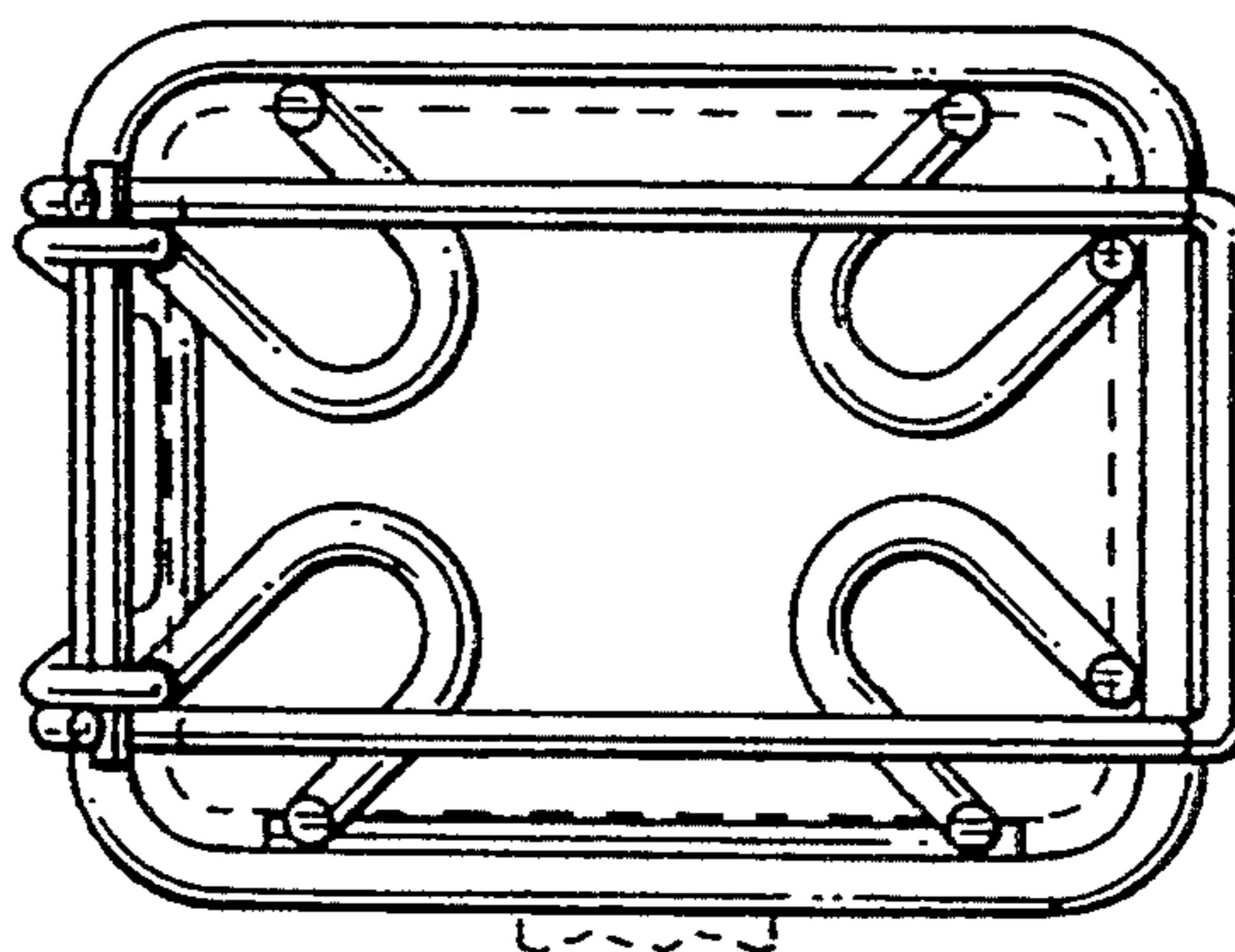


FIG. 26

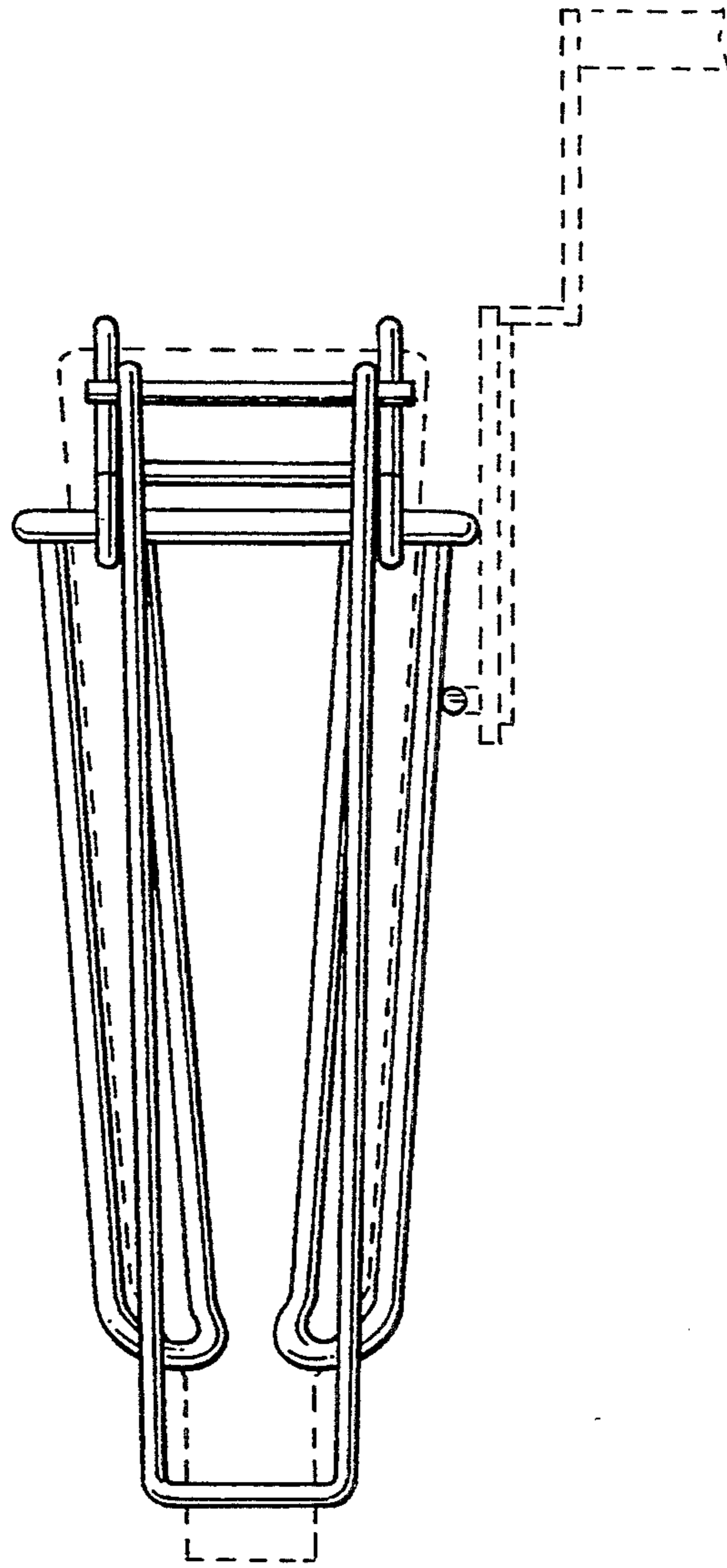


FIG. 27