



US00D361204S

United States Patent [19]

[11] Patent Number: **Des. 361,204**

Weaver et al.

[45] Date of Patent: **** Aug. 15, 1995**

[54] **COMBINED PLAYING CARD CLOTH AND CARRIER**

[76] Inventors: **Dorita A. Weaver; Bradley A. Weaver**, both of 205 White Church Rd., Brooktondale, N.Y. 14817

[**] Term: **14 Years**

[21] Appl. No.: **17,340**

[22] Filed: **Jan. 11, 1994**

[52] U.S. Cl. **D3/274**

[58] Field of Search **D3/273, 274, 299; D6/617; 190/901; 150/154; 206/223, 541, 542, 549, 38**

[56] **References Cited**

U.S. PATENT DOCUMENTS

D. 287,667	1/1987	Cathcart et al.	D3/274
2,667,353	1/1954	Lanice	190/901 X
3,363,754	1/1968	Gantz	D3/299 X
4,337,812	7/1982	Trinkner	D3/274 X

Primary Examiner—Dominic Simone
Attorney, Agent, or Firm—Barnard, Brown & Michaels

[57] **CLAIM**

The ornamental design for the combined playing card cloth and carrier, as shown and described.

DESCRIPTION

FIG. 1 is a perspective view of a combined playing card cloth and carrier showing our new design;

FIG. 2 is a perspective view thereof, the carrier in an open position and the playing cards shown in broken lines for illustrative purposes only; and,

FIG. 3 is a reduced perspective view thereof, the cloth unfolded and the playing cards shown in broken lines for illustrative purposes only.

The combined playing card cloth and carrier are made of cloth and the cloth folds up to fit inside the carrier as shown in FIGS. 1 and 2. A pocket is provided for carrying playing cards. The top folds over the top of the carrier and the pocket for carrying the playing cards so that both the cards and the cloth are held in place. Ties are provided to keep the cover in place.

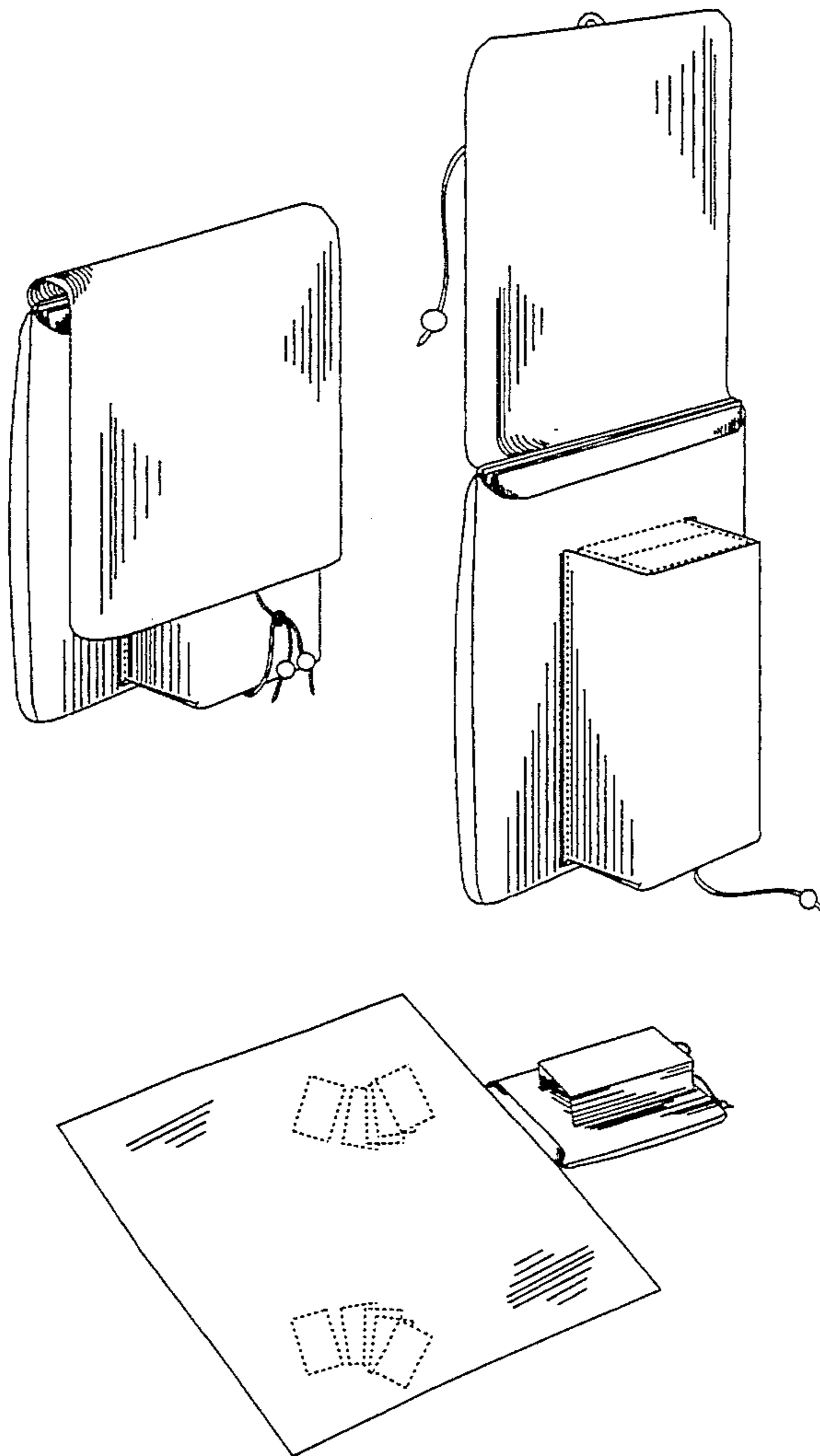


Figure 1

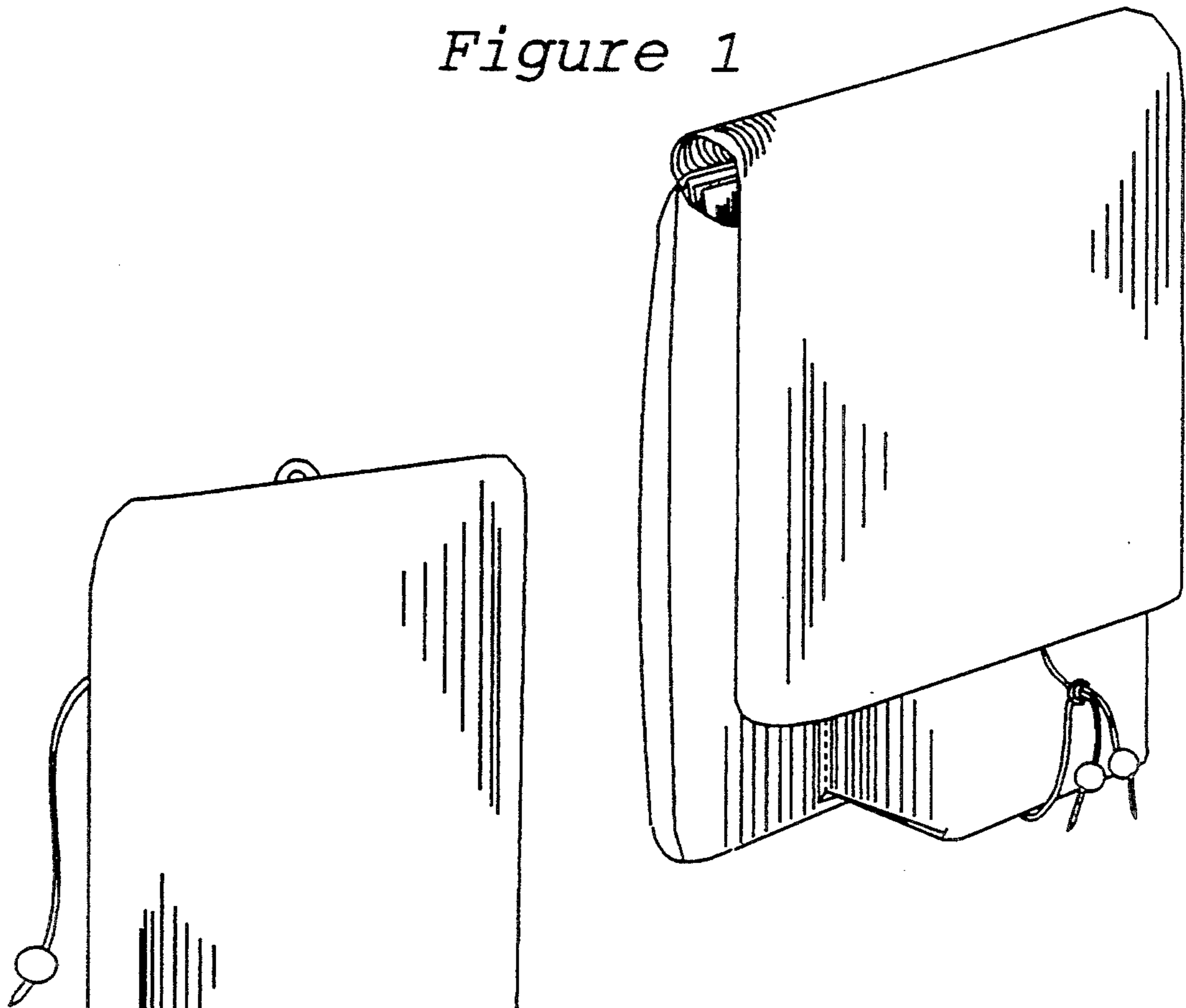


Figure 2

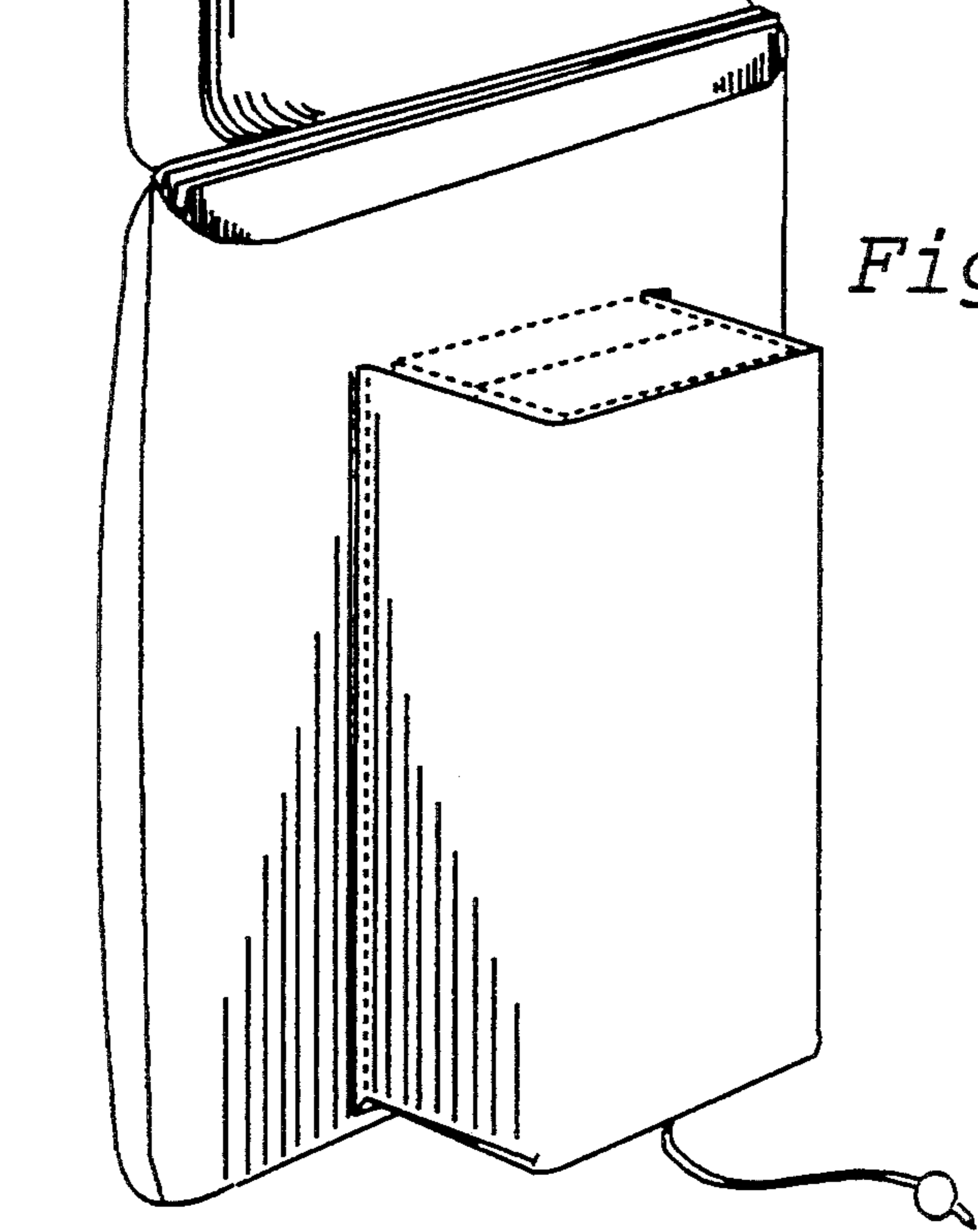


Figure 3

