



US00D361201S

United States Patent [19]

Chaney et al.

[11] Patent Number: **Des. 361,201**

[45] Date of Patent: **** Aug. 15, 1995**

[54] **CONTAINER FOR HOLDING FISHING TACKLE ACCESSORIES**

[75] Inventors: **David B. Chaney, Powell; Sean D. Montag**, Westerville, all of Ohio

[73] Assignee: **Rubbermaid Specialty Products Inc.**, Wooster, Ohio

[**] Term: **14 Years**

[21] Appl. No.: **17,957**

[22] Filed: **Jan. 27, 1994**

[52] U.S. Cl. **D3/260**

[58] Field of Search **D3/260, 254, 259, 304, D3/901, 904, 905, 273, 902; 206/315.1, 518, 519, 557; 43/54.1, 4, 57.1; D24/227, 229; 224/920; D28/10, 28, 26, 29, 38**

[56] **References Cited**

U.S. PATENT DOCUMENTS

- D. 272,663 2/1984 Forsberg D28/38
- D. 348,564 7/1994 Kalkhof D3/260 X

- D. 349,773 8/1994 Malin et al. D24/229 X
- 3,780,468 12/1973 Maffett 43/54.1
- 5,040,708 8/1991 Blair et al. 206/391 X
- 5,182,877 2/1993 Burchill et al. 224/920 X

Primary Examiner—Louis S. Zarfaz
Assistant Examiner—Catherine R. Oliver
Attorney, Agent, or Firm—Richard B. O’Planick; Lisa B. Riedesel

[57] **CLAIM**

The ornamental design for a container for holding fishing tackle accessories, as shown and described.

DESCRIPTION

FIG. 1 is a top right front perspective view of a container for holding fishing tackle accessories showing our new design;
FIG. 2 is a top plan view thereof;
FIG. 3 is an inverse front elevational view thereof; the rear elevational view being a mirror image;
FIG. 4 is a right side elevational view thereof; the left side elevational view being a mirror image; and,
FIG. 5 is a bottom plan view thereof.

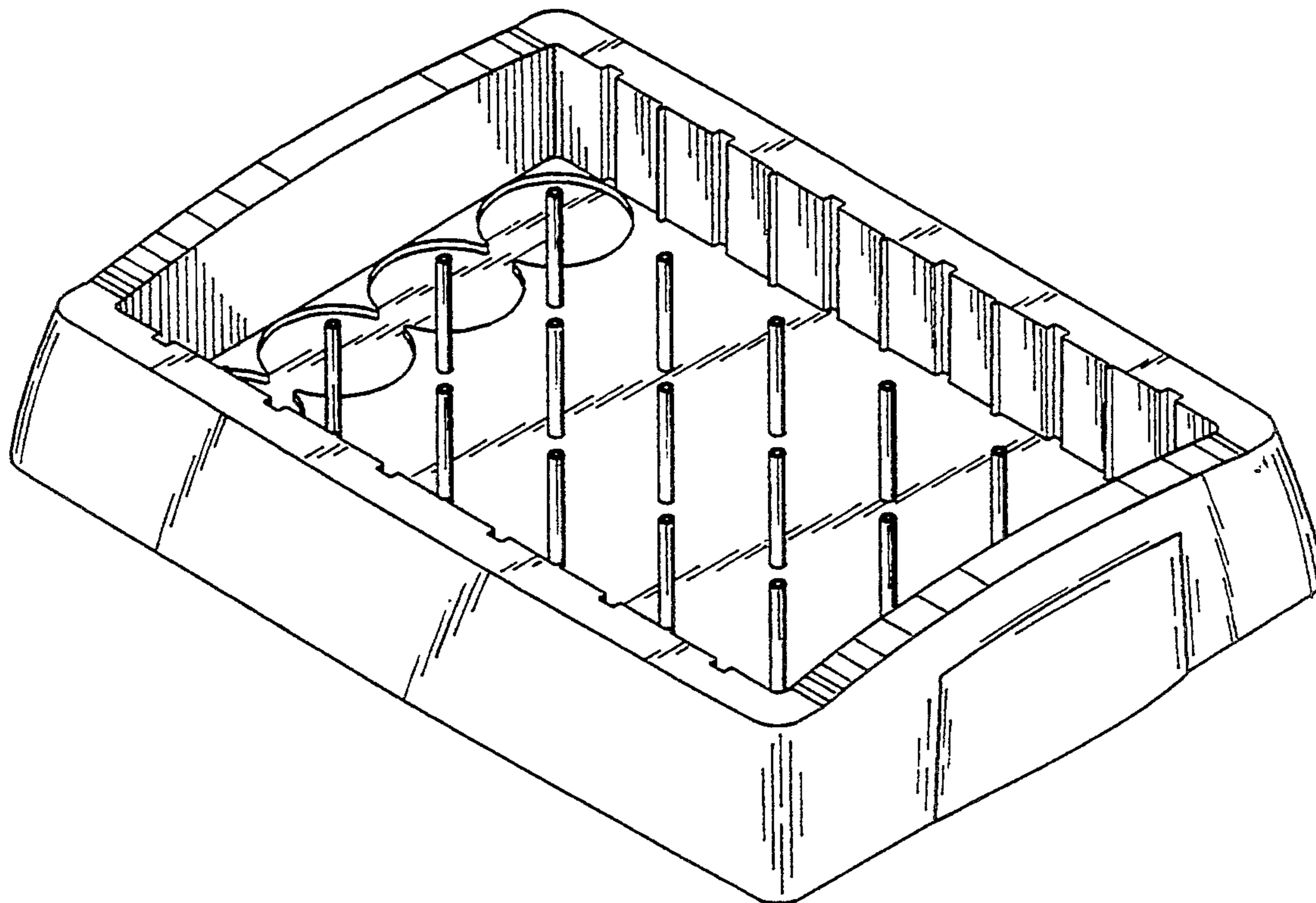


FIG. 1

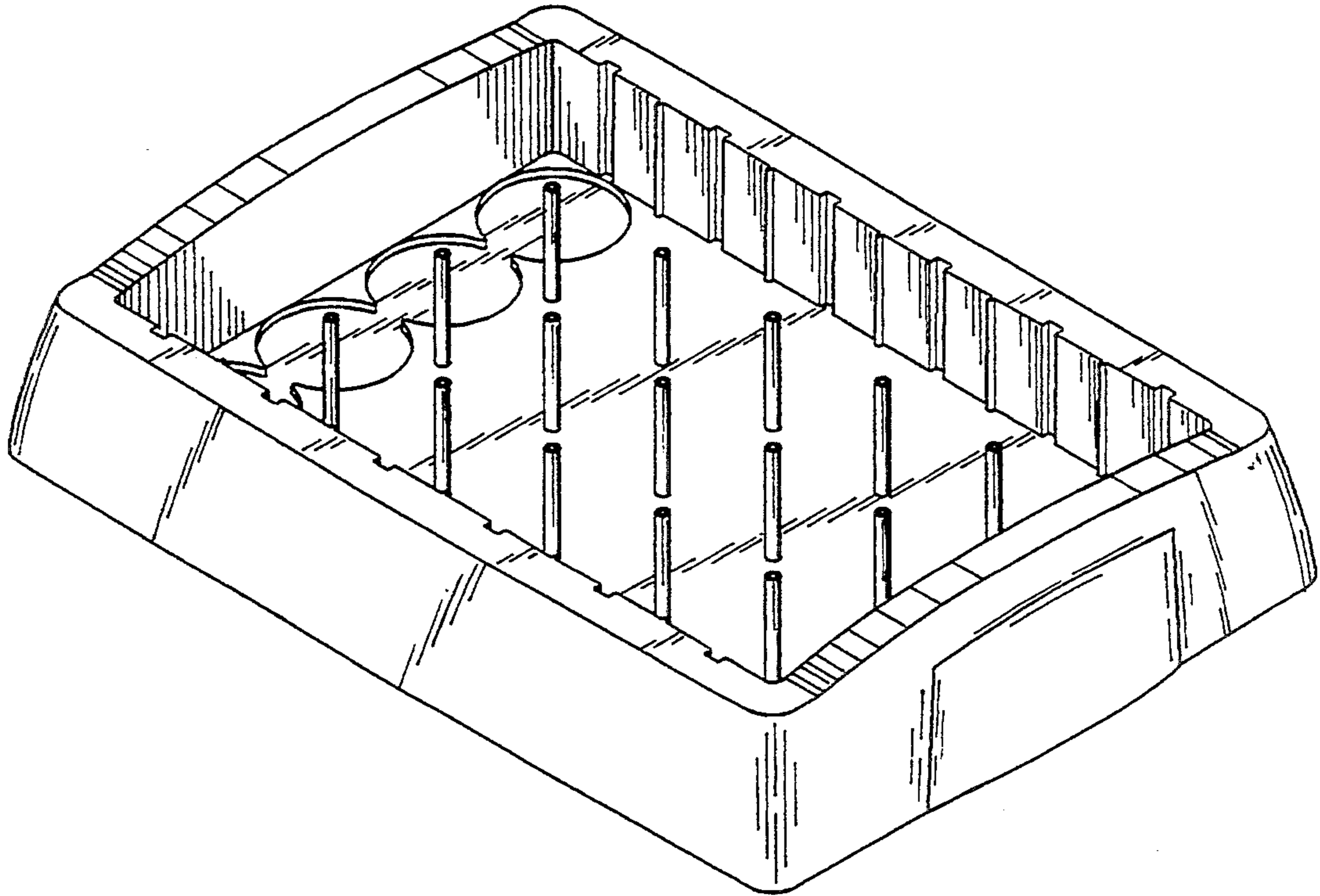


FIG. 2

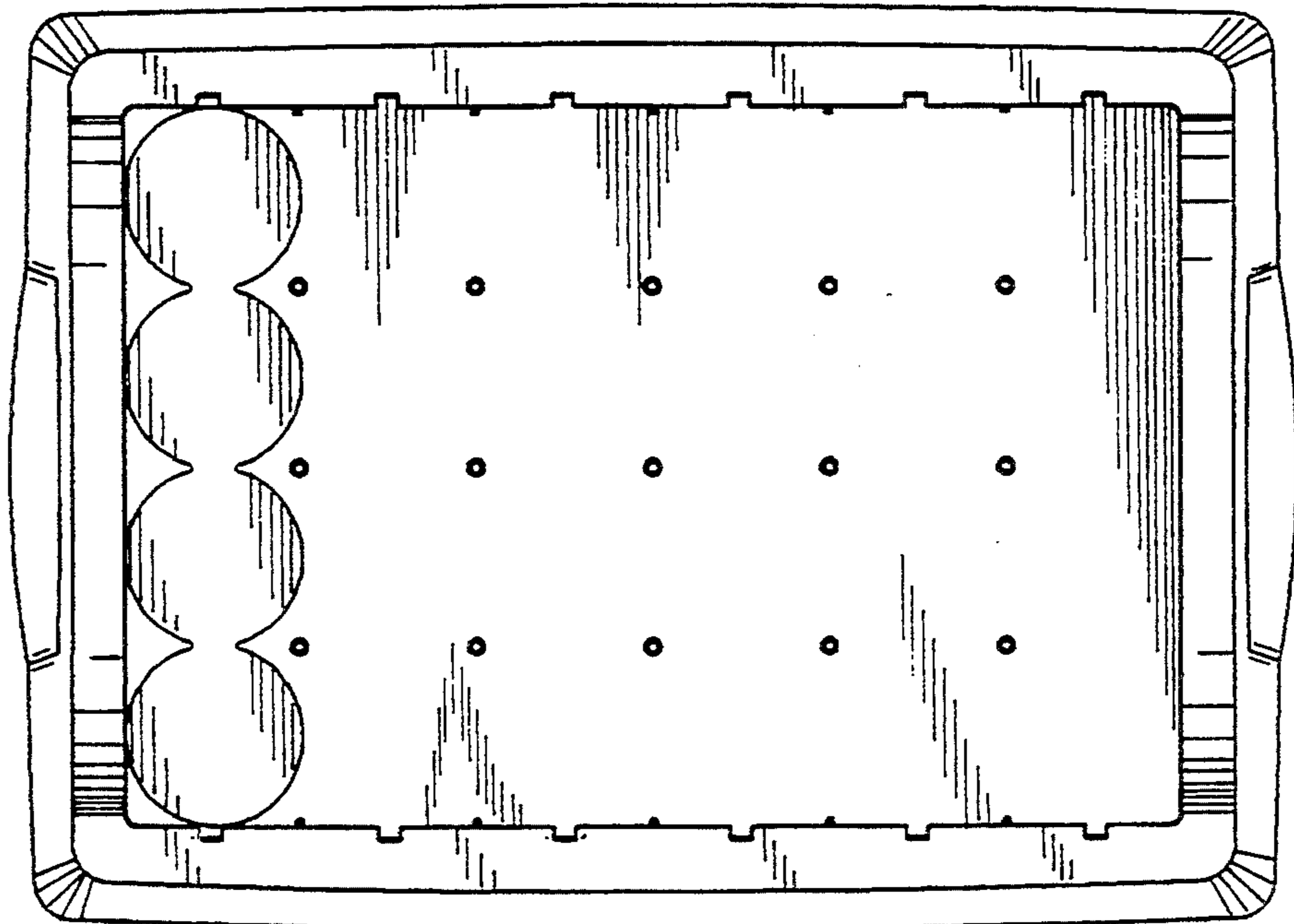


FIG. 3

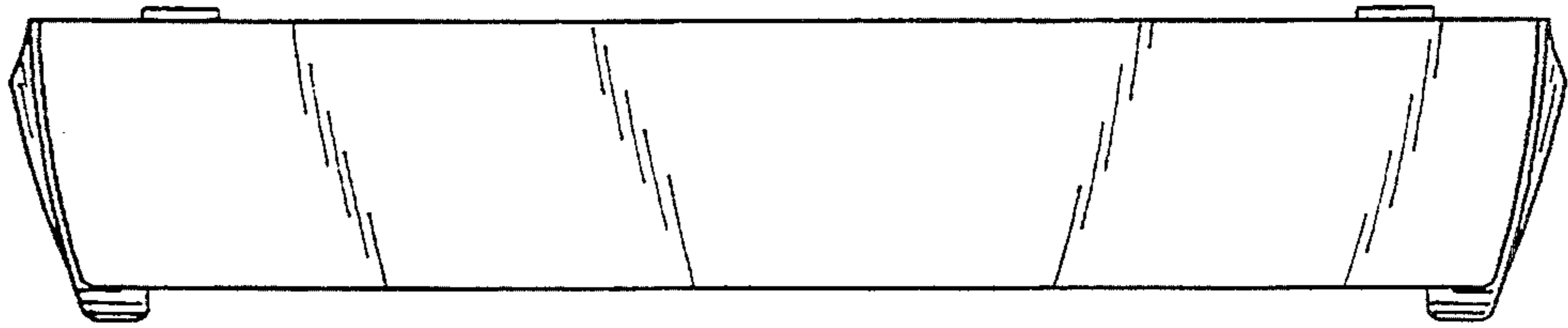


FIG. 4

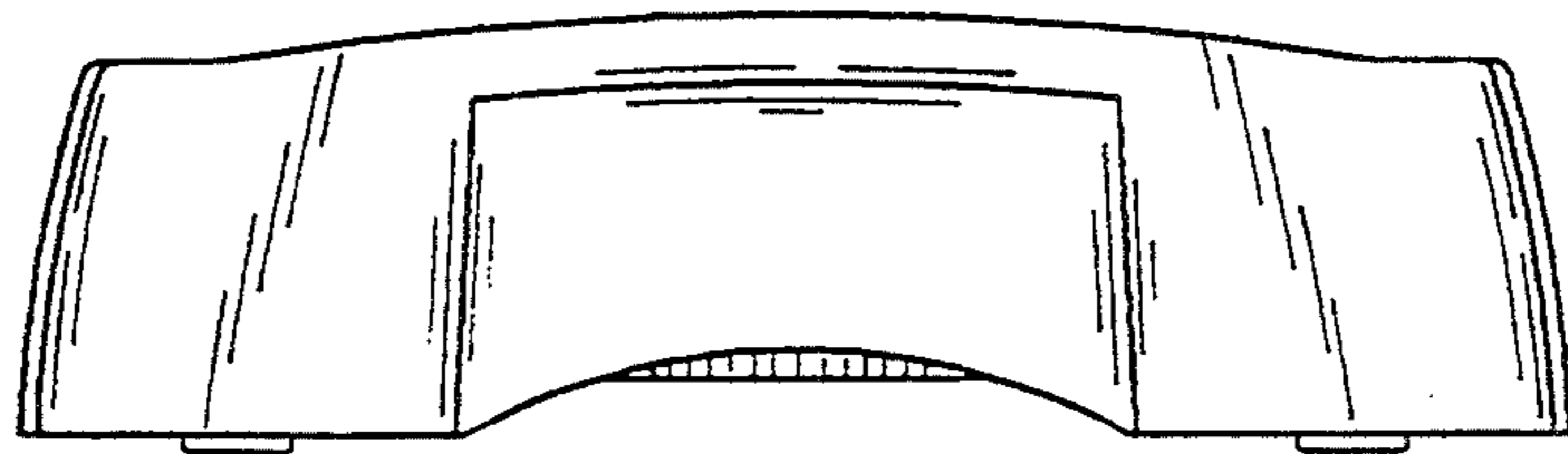


FIG. 5

