



US00D361195S

United States Patent [19]

[11] Patent Number: **Des. 361,195**

Suta

[45] Date of Patent: **** Aug. 8, 1995**

[54] **AUTOMATIC UNIVERSAL MAIL BOX FLAG**

[76] Inventor: **Robert Suta**, 107 Wedgewood Ter.,
Hot Springs, Ark. 71901

[**] Term: **14 Years**

[21] Appl. No.: **26,091**

[22] Filed: **Jul. 19, 1994**

[52] U.S. Cl. **D99/43; 232/34**

[58] Field of Search **D99/29, 32, 43, 99;**
232/34, 17, 24, 35, 34, 37, 36

[56] **References Cited**

U.S. PATENT DOCUMENTS

3,502,261	3/1970	Solis	232/34
4,570,846	2/1986	Morgrey	232/34
4,805,834	2/1989	Saba	232/34
4,840,307	6/1989	Hartman	232/34

Primary Examiner—Alan P. Douglas

Assistant Examiner—Jeffrey H. Musgrove
Attorney, Agent, or Firm—Stephen D. Carver; Trent C. Keisling

[57] **CLAIM**

The ornamental design for a automatic universal mail box flag, as shown and described.

DESCRIPTION

FIG. 1 is a front perspective view of my automatic universal mail box flag;
FIG. 2 is a rear perspective view thereof;
FIG. 3 is a front elevational view of my automatic universal mail box flag;
FIG. 4 is a side elevational view taken generally from the right side of FIG. 3;
FIG. 5 is a rear elevational view of my automatic universal mail box flag; and,
FIG. 6 is a side elevational view taken generally from the right of FIG. 5 and the left of FIG. 3.

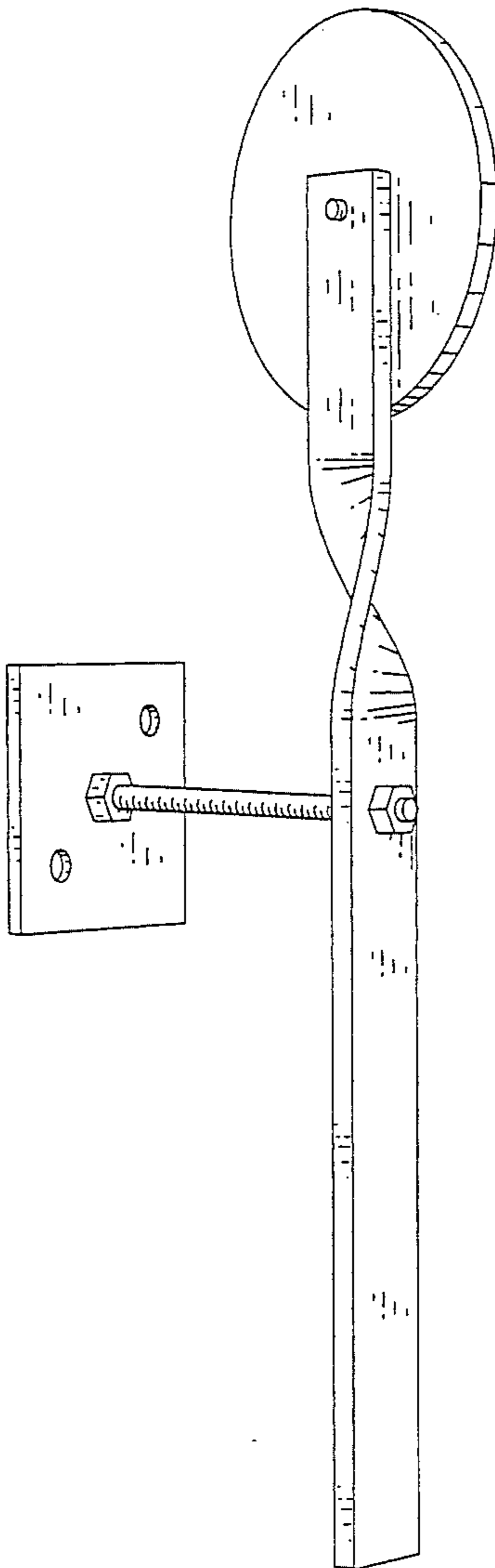


FIG. 1

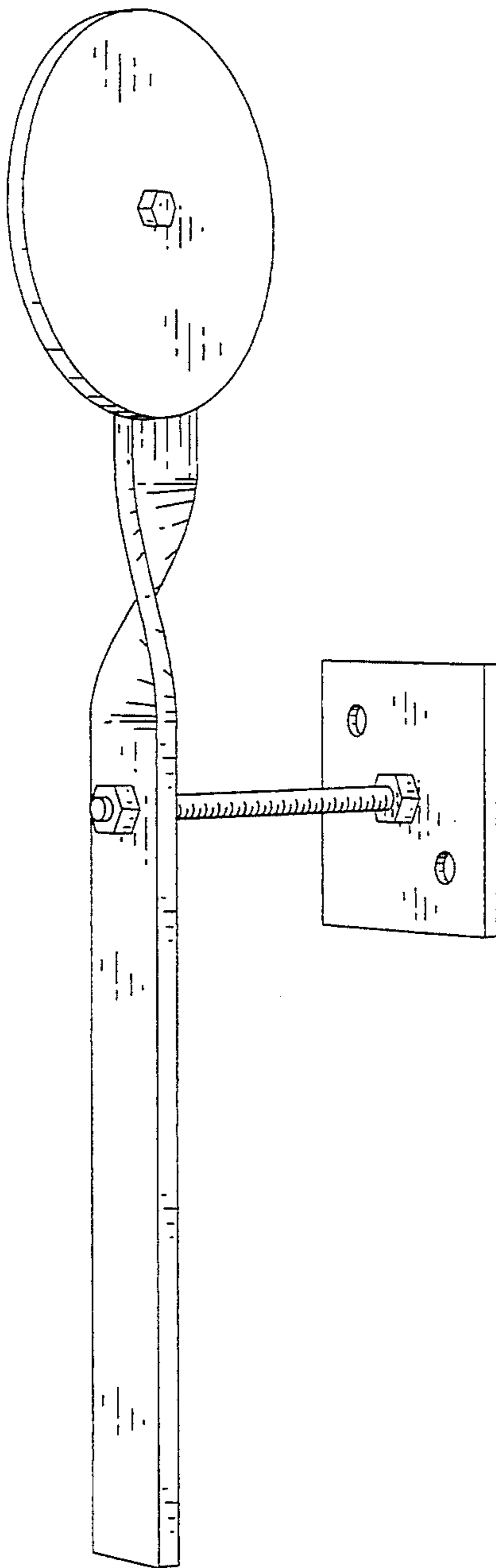


FIG. 2

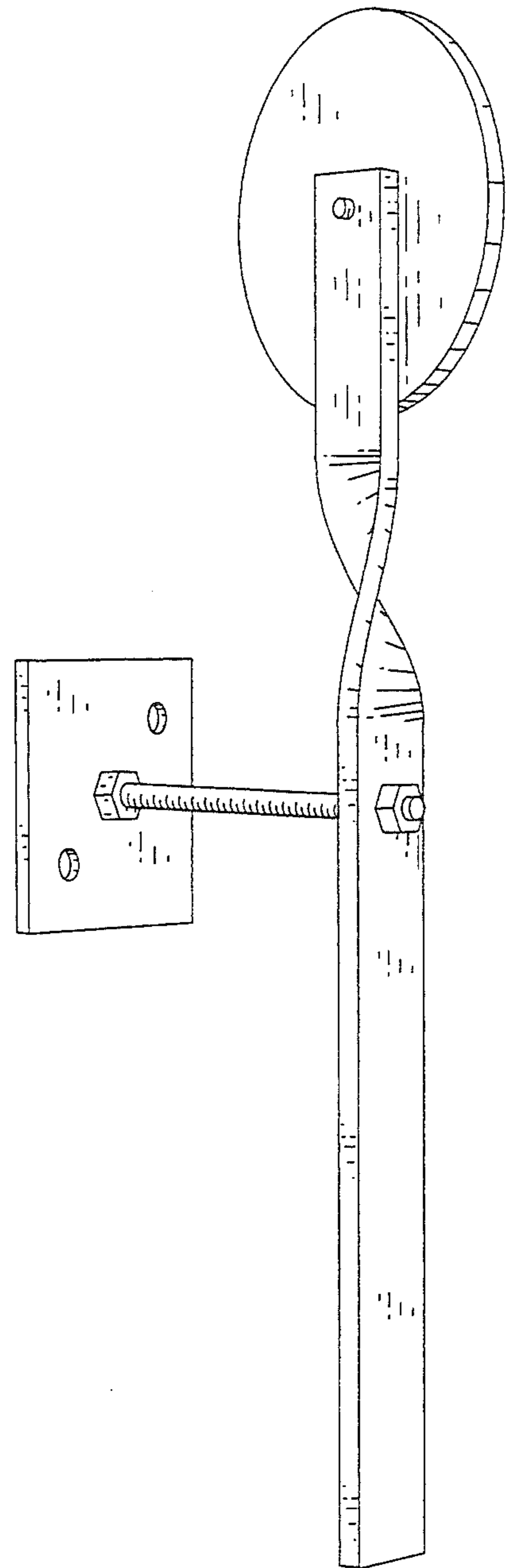


FIG. 3

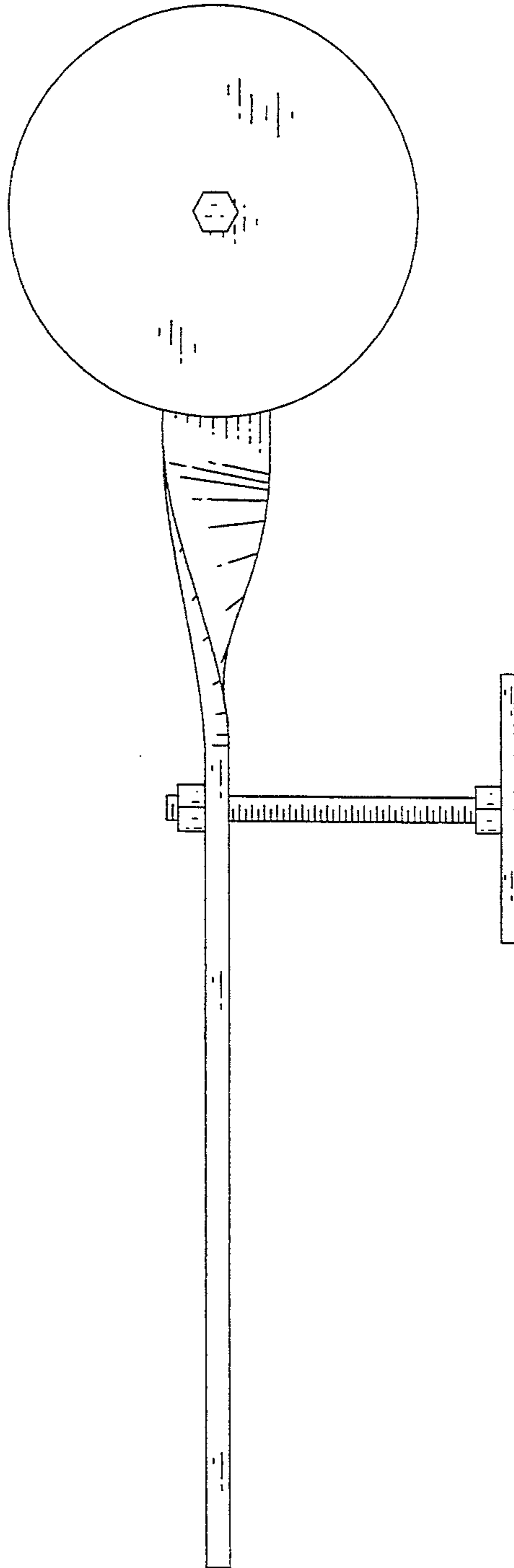


FIG. 4

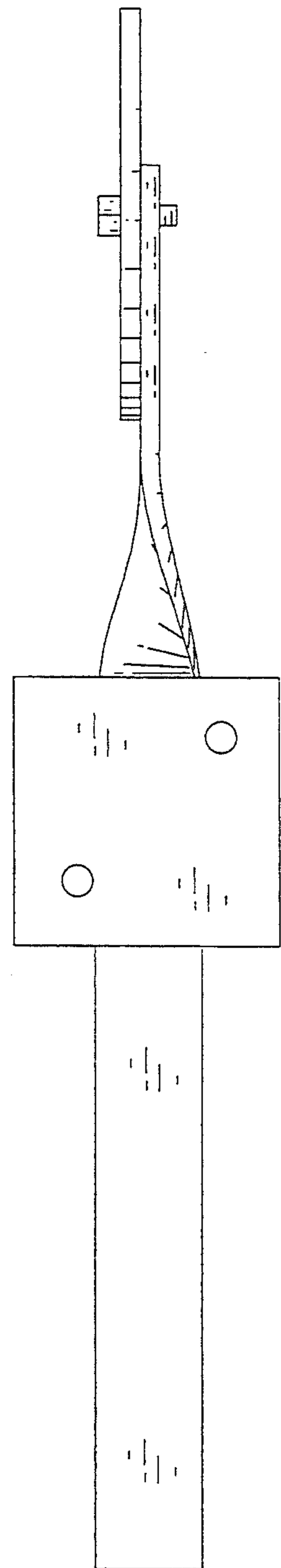


FIG. 5

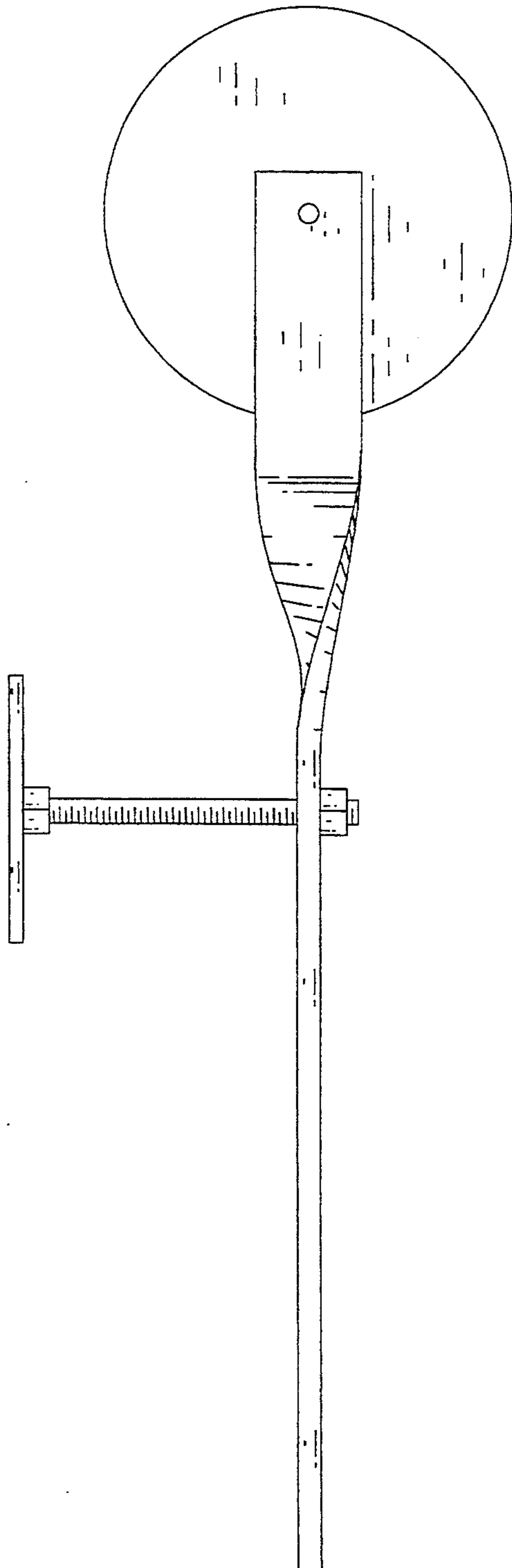


FIG. 6

