



US00D361192S

United States Patent [19]

[11] Patent Number: **Des. 361,192**

Dallman et al.

[45] Date of Patent: **** Aug. 8, 1995**

[54] **AUTOMATIC TELLER MACHINE CABINET**

[75] Inventors: **Ernest R. Dallman**, Zionsville;
Franklin W. Wehr, Indianapolis, both
of Ind.

[73] Assignee: **Dallman Industrial Corporation**,
Indianapolis, Ind.

[**] Term: **14 Years**

[21] Appl. No.: **22,639**

[22] Filed: **May 10, 1994**

[52] U.S. Cl. **D99/28**

[58] Field of Search **D99/28, 43, 99; D25/16,**
D25/1; D14/102, 107, 106; 109/2, 9; 232/1 D,
1 E

[56] **References Cited**

U.S. PATENT DOCUMENTS

Re. 22,431	2/1944	Sloan, Jr. .	
D. 228,011	1/1987	Prinzhorn	D99/28
D. 284,321	6/1986	Kobayashi	D99/28
D. 286,098	10/1986	Prinzhorn	D99/28
D. 289,215	4/1987	Prinzhorn	D99/28
D. 293,151	12/1987	Prinzhorn	D99/28
D. 293,269	12/1987	Prinzhorn	D99/28
D. 314,076	1/1991	Tarkany et al.	D99/28
2,185,763	1/1940	De Lisle .	
2,590,592	3/1952	Wittemann .	
3,897,901	8/1975	Grosswiller, Jr. et al. .	
4,192,544	3/1980	Patterson .	
4,399,755	8/1983	Wiedmann .	
4,457,492	7/1984	Lahti .	
4,497,261	2/1985	Ferris et al. .	
4,513,670	4/1985	Berman .	

4,557,352	12/1985	Tschappat, Jr. .
4,558,650	12/1985	Berman .
4,577,562	3/1986	Berman .
4,603,643	8/1986	Couvrette .
4,649,832	3/1987	Hain et al. .
4,681,044	7/1987	Dallman .
4,856,437	8/1989	Trucksess .
5,036,779	8/1991	Capraro .

FOREIGN PATENT DOCUMENTS

3-50694 5/1991 Japan .

Primary Examiner—Alan P. Douglas

Assistant Examiner—Jeffrey H. Musgrove

Attorney, Agent, or Firm—Barnes & Thornburg

[57] **CLAIM**

The ornamental design for an automatic teller machine cabinet, as shown and described.

DESCRIPTION

FIG. 1 is a perspective view of an automatic teller machine cabinet according to my new design, with other elements of an automatic teller machine which form the environment of the automatic teller machine cabinet being illustrated in broken lines;

FIG. 2 is a front elevational view thereof;

FIG. 3 is a left side elevational view thereof;

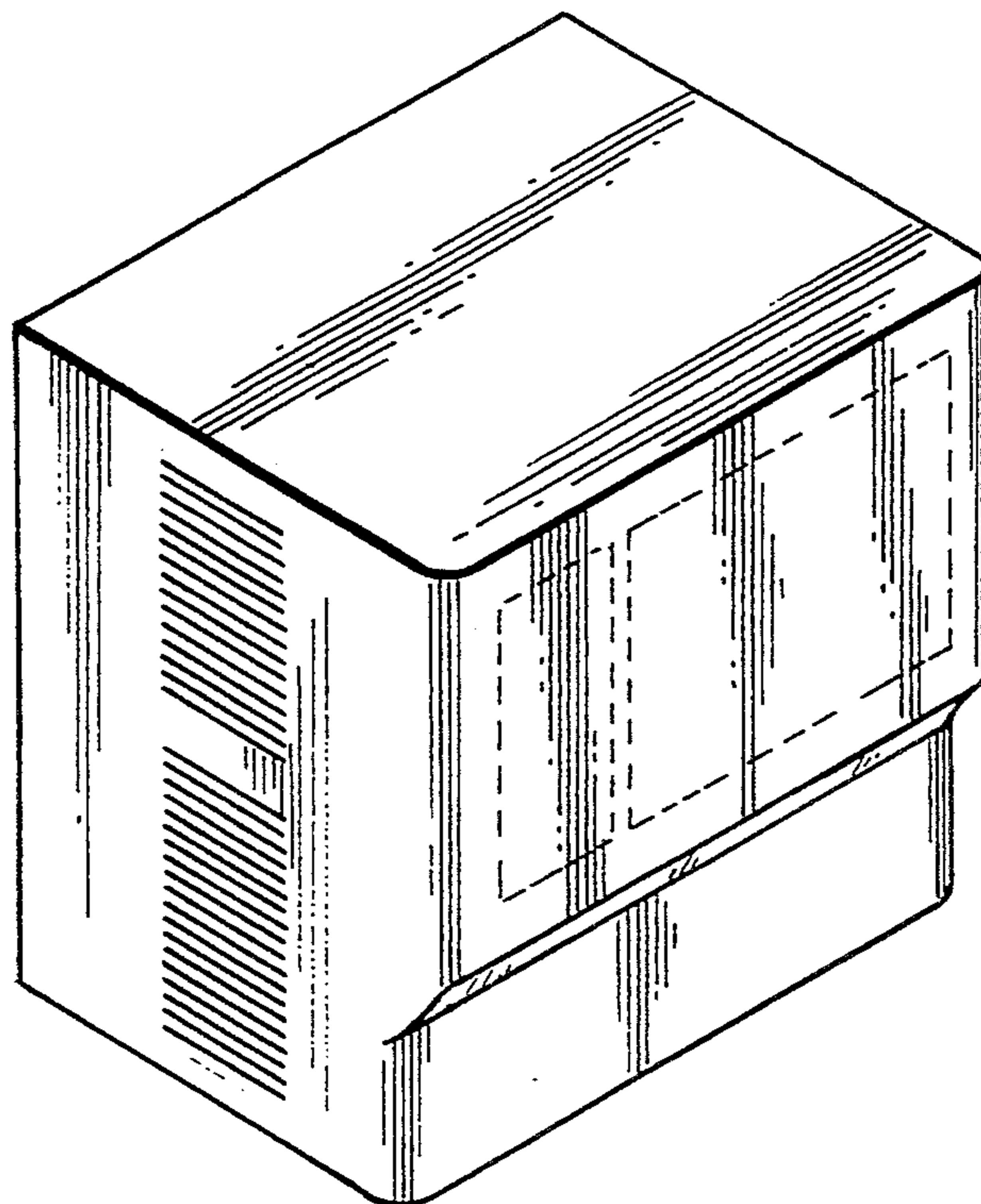
FIG. 4 is a right side elevational view thereof;

FIG. 5 is a top plan view thereof;

FIG. 6 is a rear elevational view thereof, and,

FIG. 7 is a bottom plan view thereof.

The broken line showing of the opening in FIGS. 1 and 2 for an automatic teller machine is for illustrative purposes only and forms no part of the claimed design.



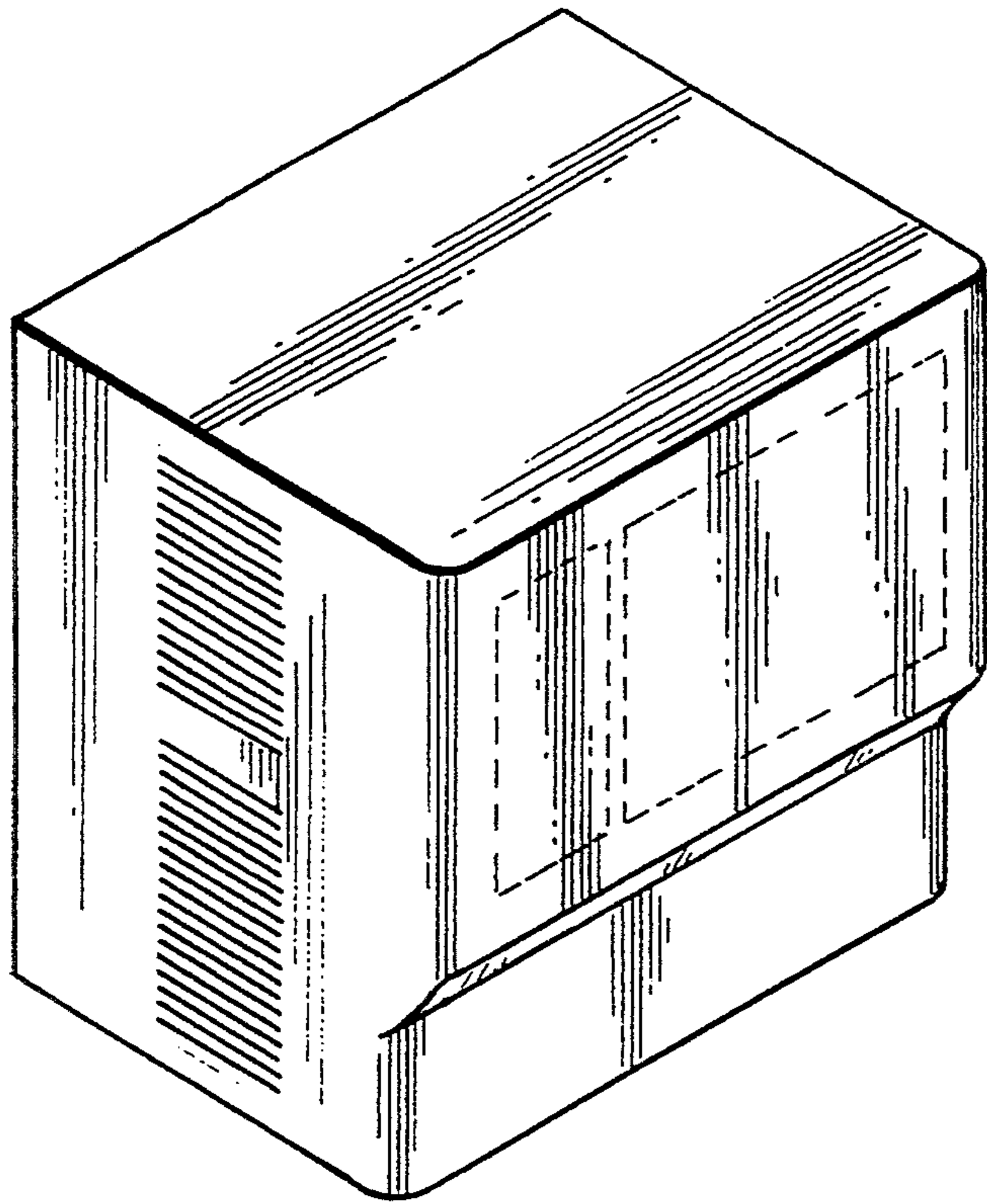


FIG. 1

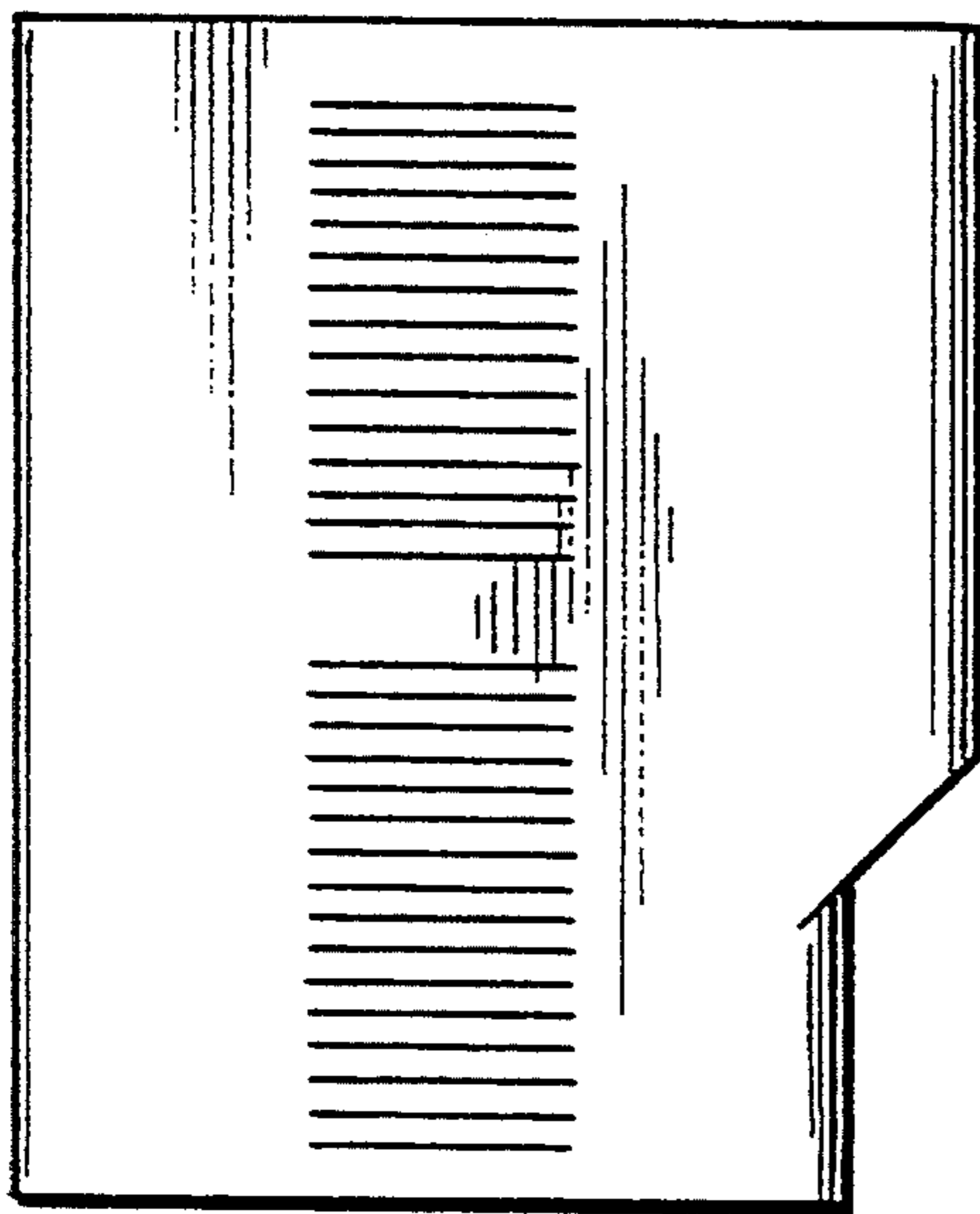


FIG. 3

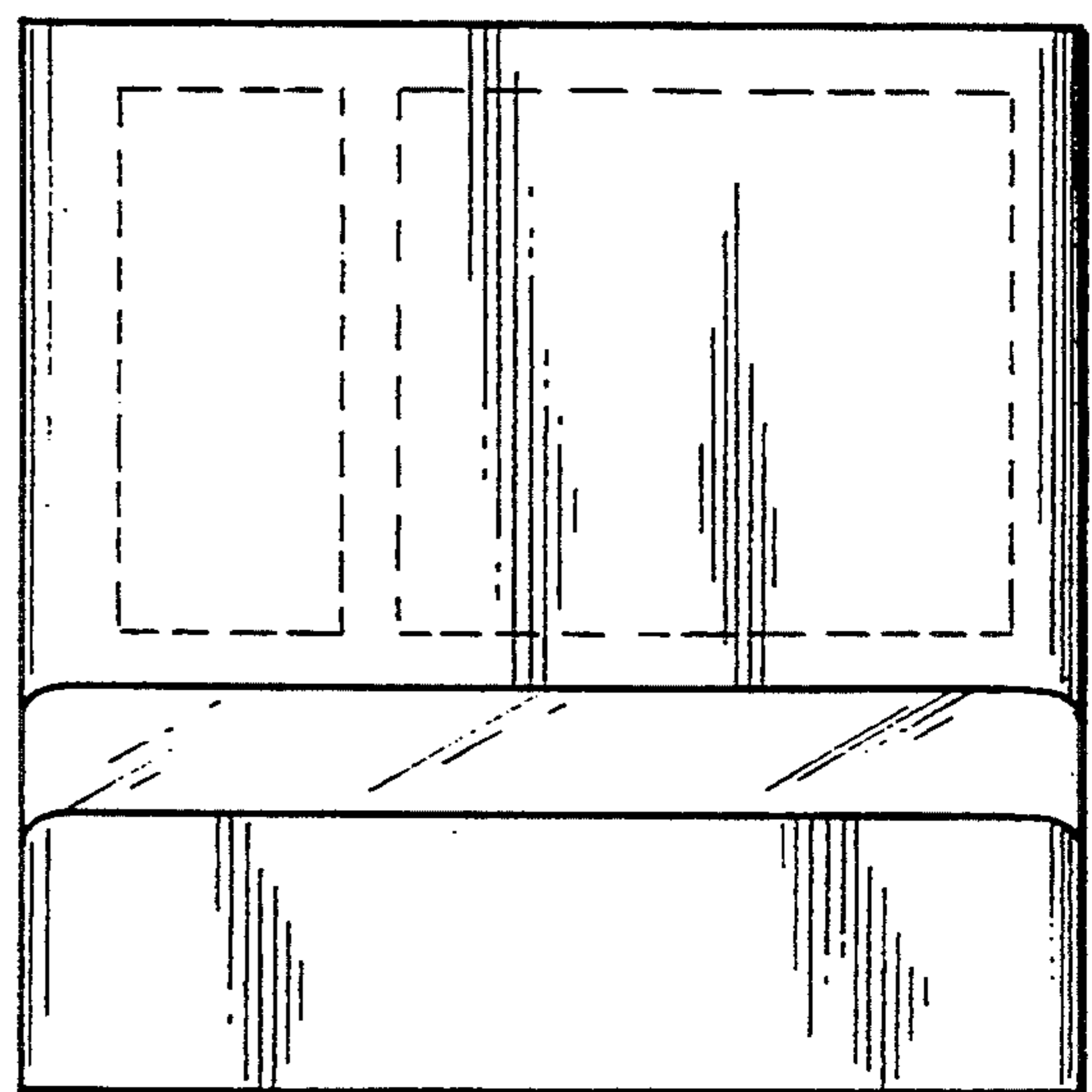


FIG. 2

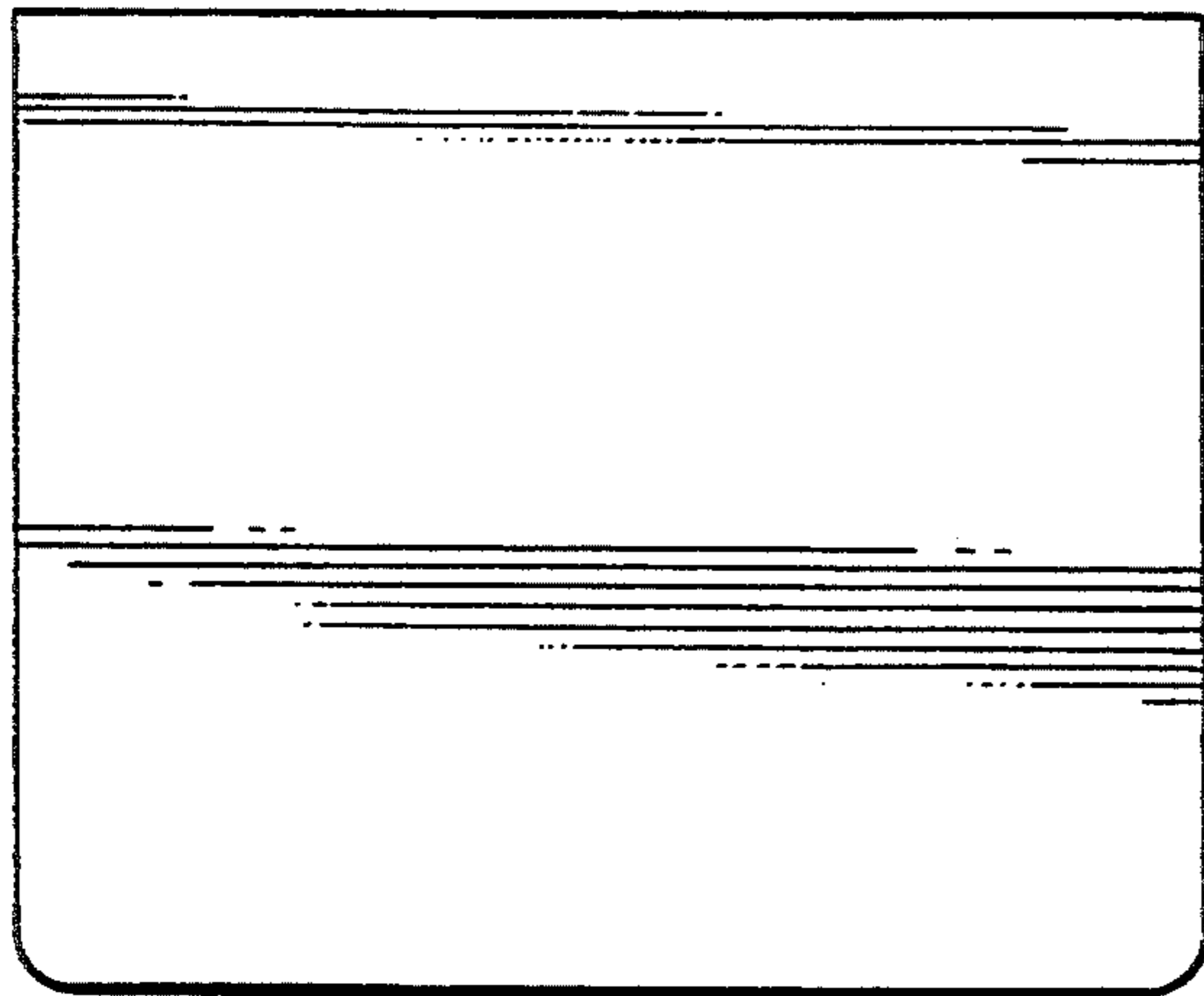


FIG. 5

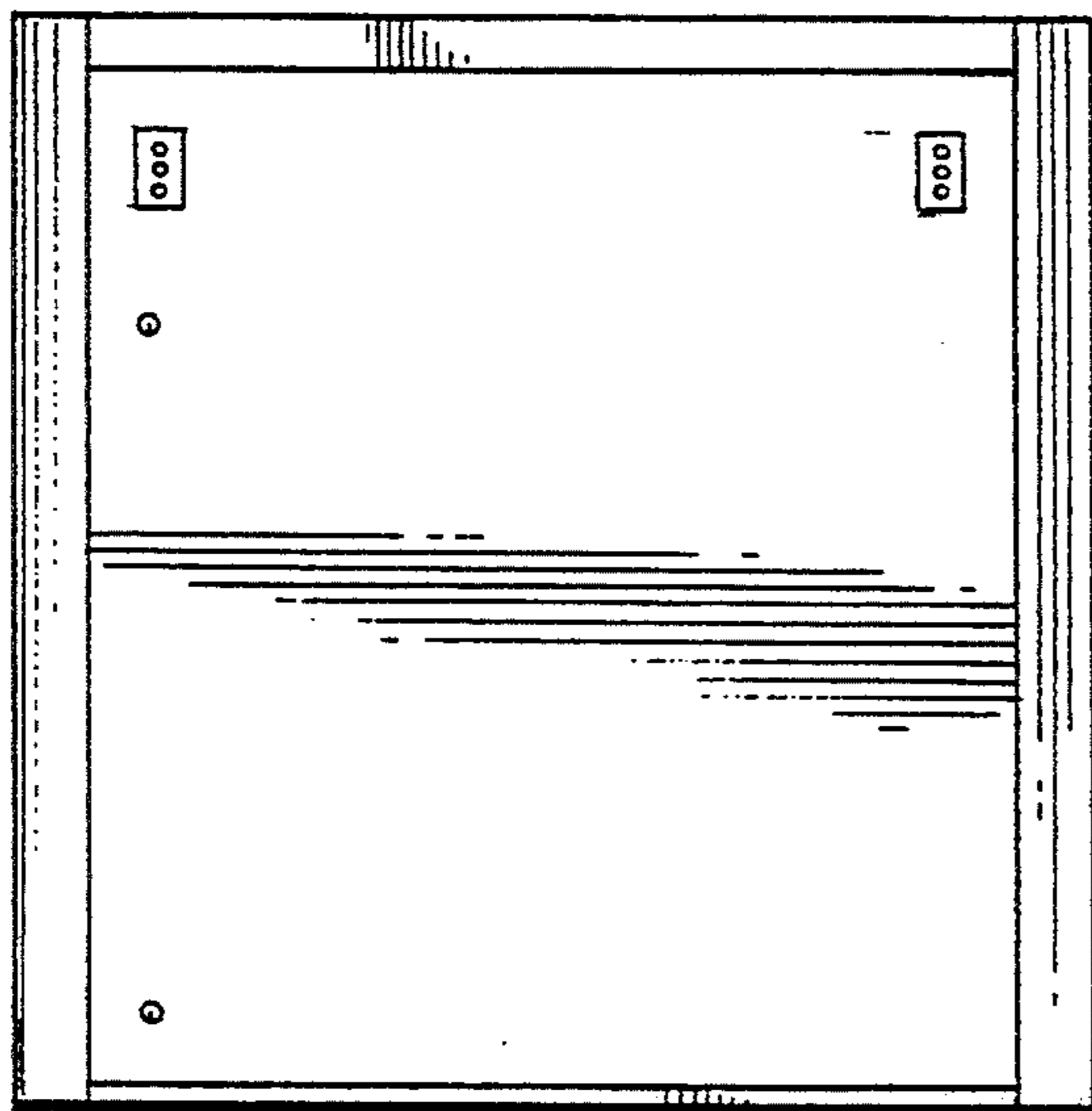


FIG. 6

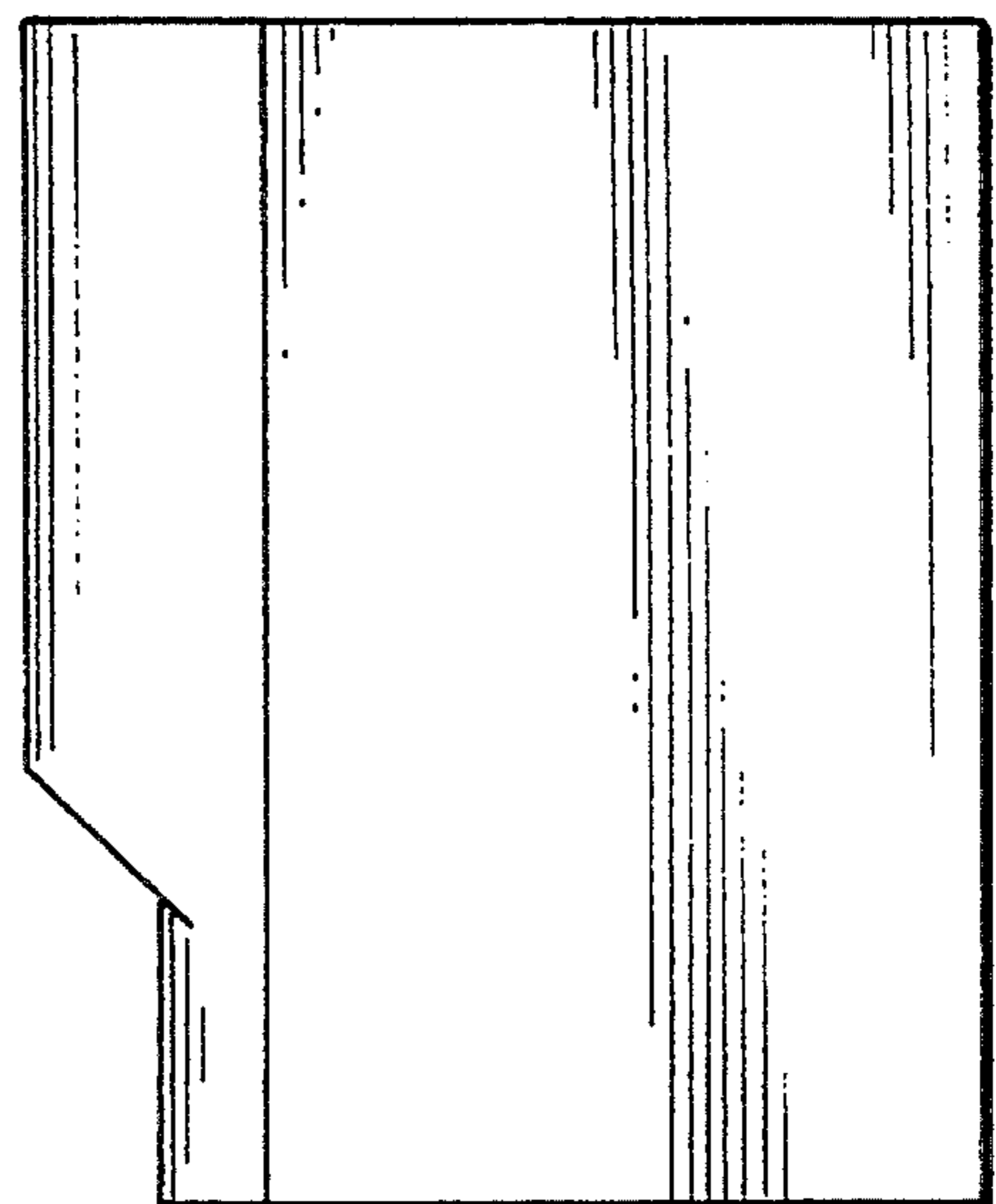


FIG. 4

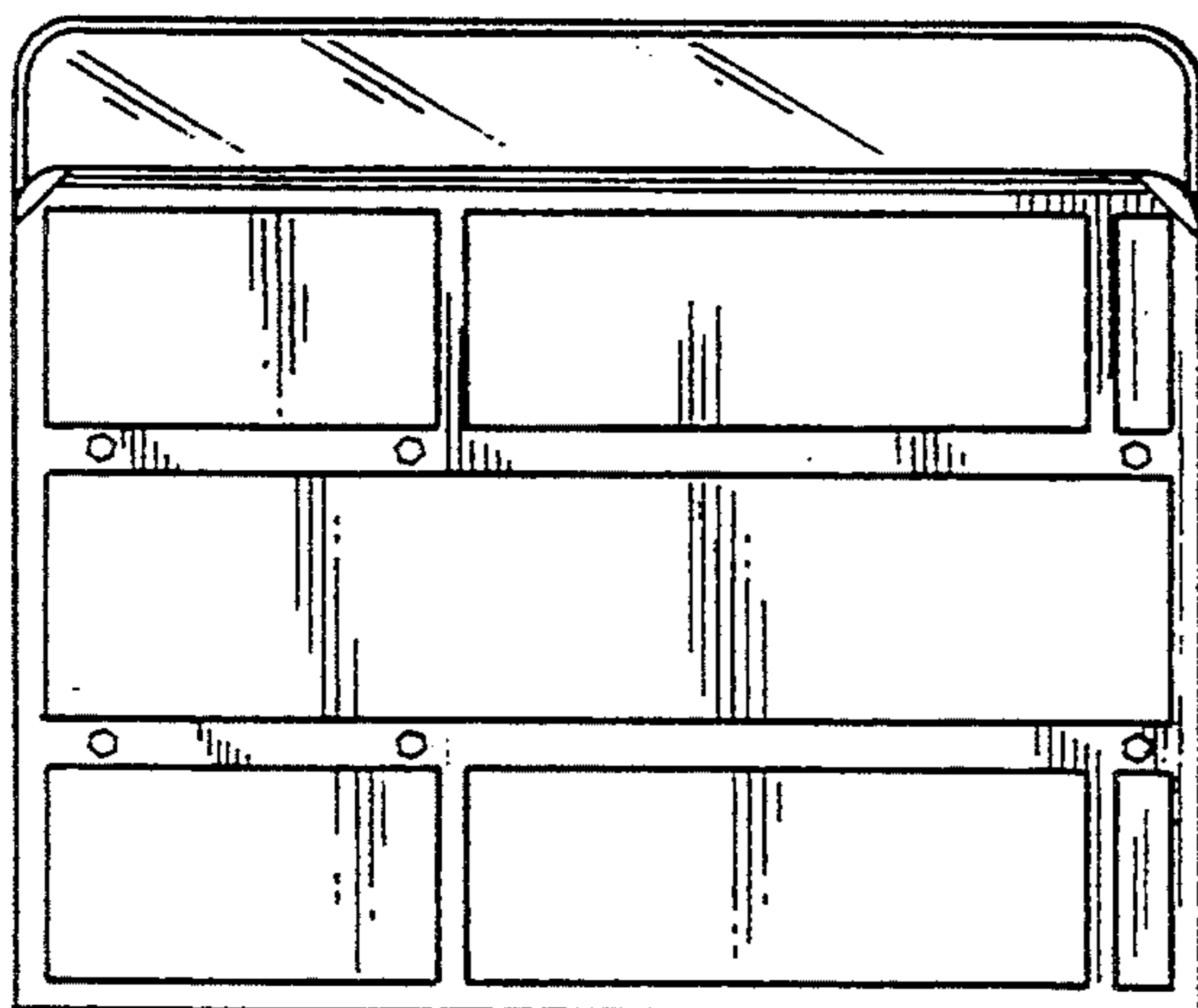


FIG. 7