



US00D361191S

United States Patent [19]

[11] Patent Number: **Des. 361,191**

Kowalski et al.

[45] Date of Patent: **** Aug. 8, 1995**

- [54] **TILT TRUCK**
- [75] Inventors: **John A. Kowalski**, Stephens City;
Thomas Perelli, Winchester, both of Va.
- [73] Assignee: **Rubbermaid Commercial Products Inc.**, Winchester, Va.
- [**] Term: **14 Years**
- [21] Appl. No.: **26,579**
- [22] Filed: **Aug. 1, 1994**
- [52] U.S. Cl. **D34/27; D34/16**
- [58] Field of Search **D34/12, 27, 16, 24, D34/25, 26, 27; 280/47.23, 47.18, 47.26, 47.24, 47.34, 652**

Elicott Center Drive, Ellicott City, Maryland 21043-4191. Publication date 1991.
 Sell sheet; Cart; Metal Products Co., P.O. Box 105, Cokato, Minnesota 55321. Published at least as early as 1988.
 Catalog page, Carts; Sterling Handling Equipment Inc., 2300 West Florist Avenue, P.O. Box 09743, Milwaukee, Wisconsin 53209. Published at least as early as 1988.
 P. 13, Tilt trucks; Chem-tainer, 361 Neptune Avenue, North Babylon, New York 11704. Publication date 1988.
 Catalog page, Tilt dump trucks; Steele Canvas Basket Corporation, 201 Williams Street, P.O. Box 6267 IMCN, Chelsea, Massachusetts 02150-0995. Publication date 1987.
 Catalog page, Tilt trucks; Rotocast Plastic Products, Inc., address unknown. Publication date Dec., 1988.
 P. 7, Tilt truck; Rotocast Plastic Products, Inc., address unknown. Publication date Dec., 1988.
 P. 6, Tilt trucks and self-dumping hoppers; Techstar Plastics Inc., 140 Simcoe Street, North, Port Perry, Ontario, Canada L9L 1L8. Published at least as early as Mar., 1993.
 Catalog page, Tilt trux; InterMetro Industries Corporation, Wilkes-Barre, Pennsylvania 18705. Published at least as early as Mar., 1993.
 Pp. 4 and 6, Tilt trucks; Rubbermaid Commercial Products Inc., 3124 Valley Avenue, Winchester, Virginia 22601. Publication date 1992.

[56] **References Cited**
U.S. PATENT DOCUMENTS

D. 311,621	10/1990	Fuller	D34/18
D. 318,165	7/1991	Ayres	D34/26
D. 318,551	7/1991	Ayres	D34/24
D. 321,579	11/1991	Ayres	D34/26
D. 327,350	6/1992	Brown et al.	D34/16
D. 337,408	7/1993	Burd	D34/27
D. 349,797	8/1994	Daugherty	D34/16
3,858,929	1/1975	Brescia	280/47.12
4,335,897	6/1982	Muller, Jr.	280/47.18
4,341,393	7/1982	Gordon et al.	280/47.26
4,511,154	4/1985	Daloisio	280/47.26
4,740,008	4/1988	Johnson	280/475

OTHER PUBLICATIONS

Sell sheet, Cart; Toter Incorporated, 841 Meacham Road, Statesville, North Carolina 28677. Publication date Apr., 1991.
 Sell sheet, Material handling karts; Ameri-Kart Corporation, 433 Industrial Road, Goddard, Kansas 67052. Published at least as early as Jan., 1994.
 P. 43, Tilt truck; Advanced Equipment, 236 Westhampton Avenue, Capitol Heights, Maryland 20743. Published at least as early as Jan., 1994.
 P. 23, Tilt trucks; Continental Manufacturing Company, A Division of Contico International Inc., 123 Byassee Drive, Hazelwood, Missouri 63042. Publication date May, 1992.
 P. 48, Tilt trucks; C & H Products for Business, 400 South 5th Street, Milwaukee, Wisconsin 04499. Publication date Jan./Apr. 1992.
 Pp. 12 and 13, Tilt trucks; C. R. Daniels, Inc., 3451

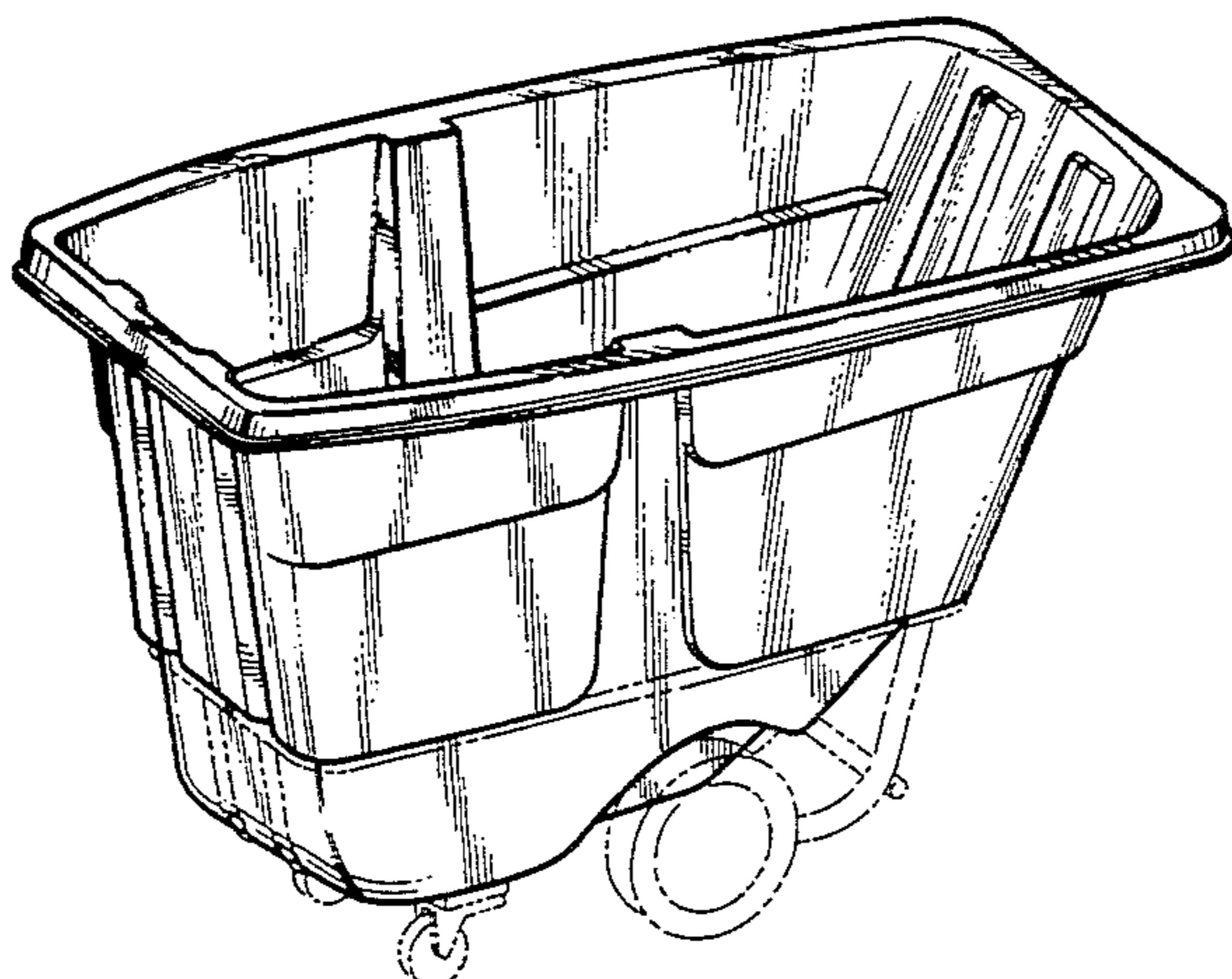
Primary Examiner—Kay H. Chin
Attorney, Agent, or Firm—Richard B. O'Planick; Lisa B. Riedesel

[57] **CLAIM**

The ornamental design for a tilt truck, as shown and described.

DESCRIPTION

FIG. 1 is a top right front perspective view of a tilt truck showing our new design. The broken lines are for illustrative purposes only and form no part of the claimed design;
 FIG. 2 is a top plan view thereof;
 FIG. 3 is a right side elevational view thereof; the left side elevational view being a mirror image;
 FIG. 4 is a rear elevational view thereof;
 FIG. 5 is a front elevational view thereof; and,
 FIG. 6 is a bottom plan view thereof.



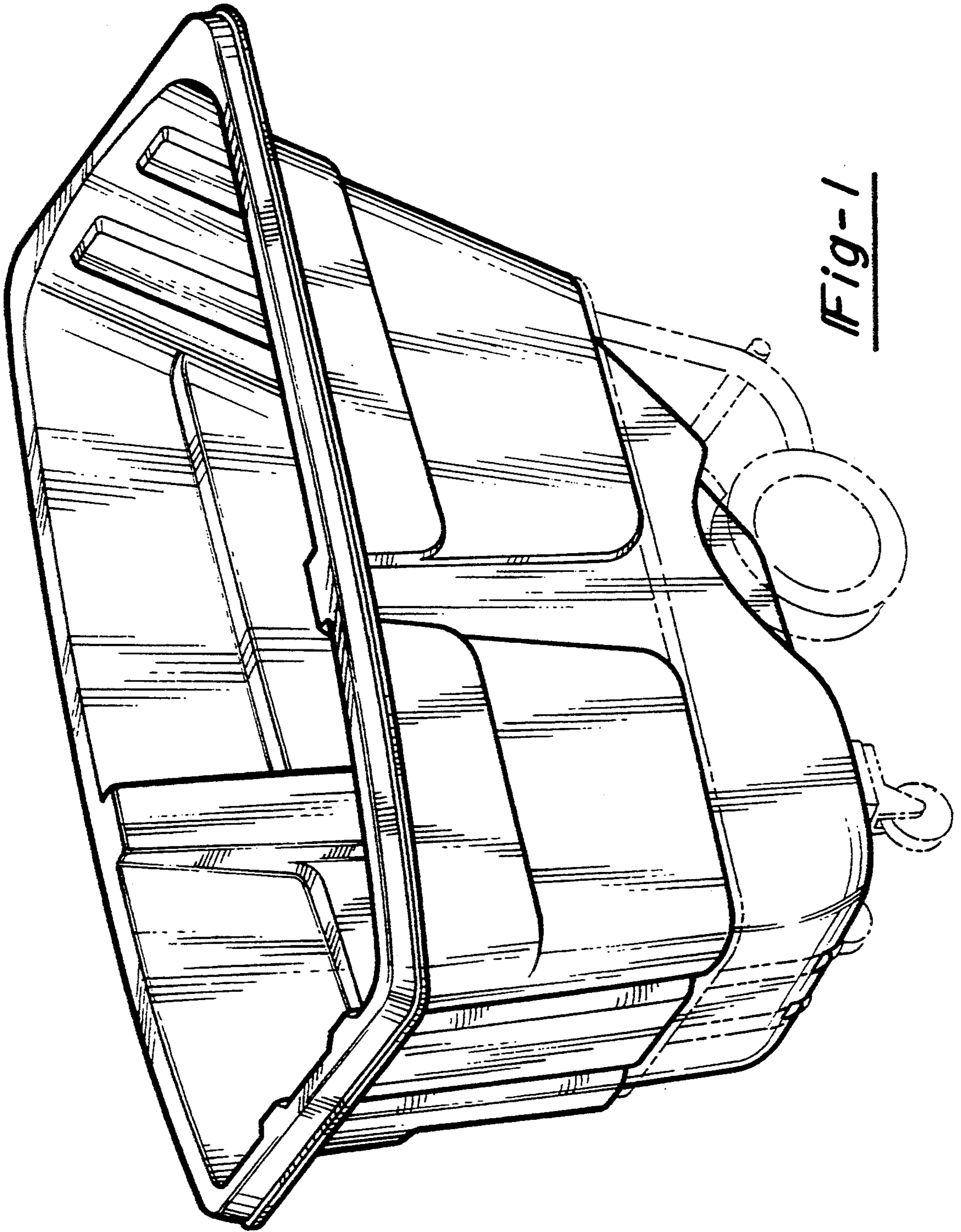


Fig-1

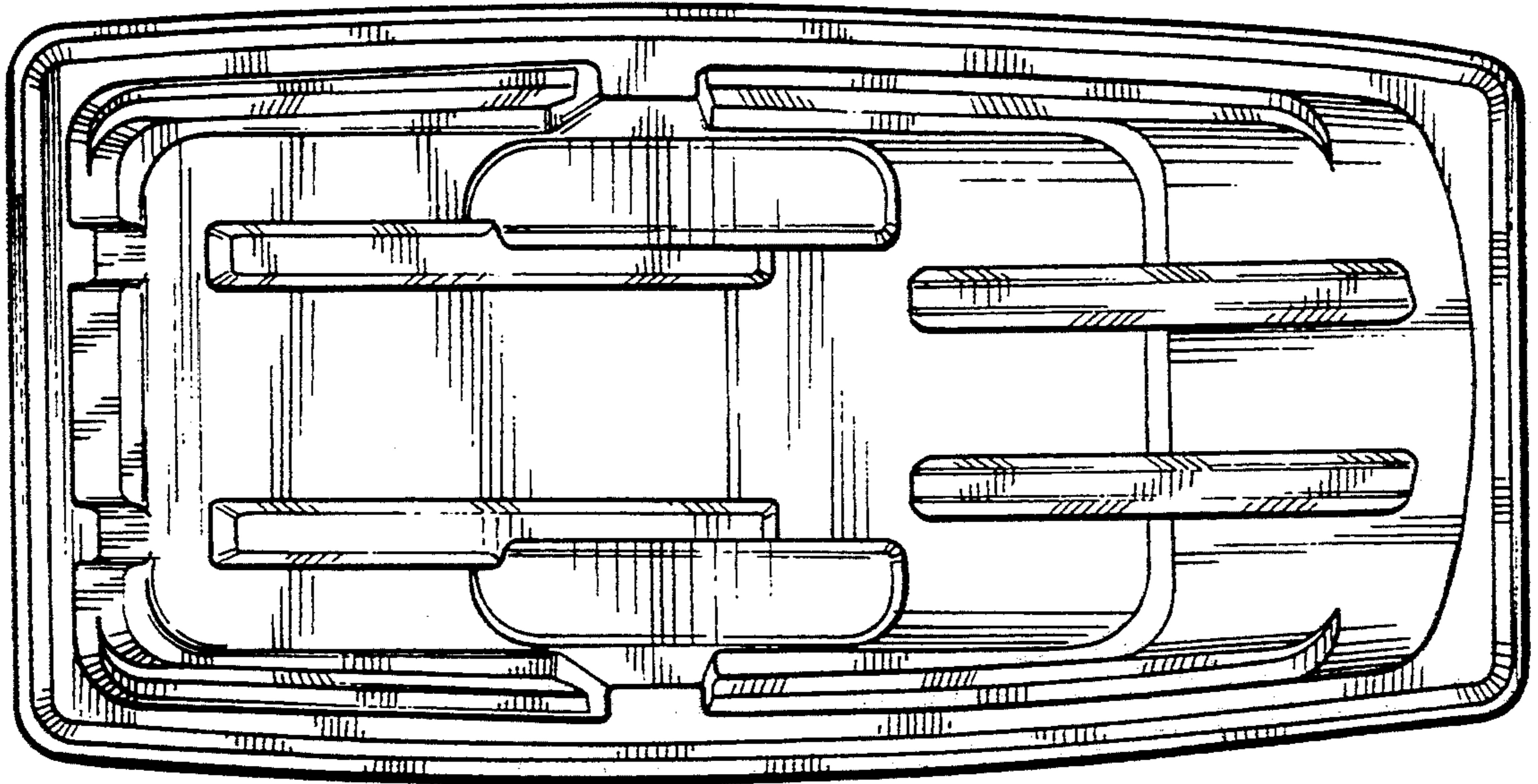


Fig-2

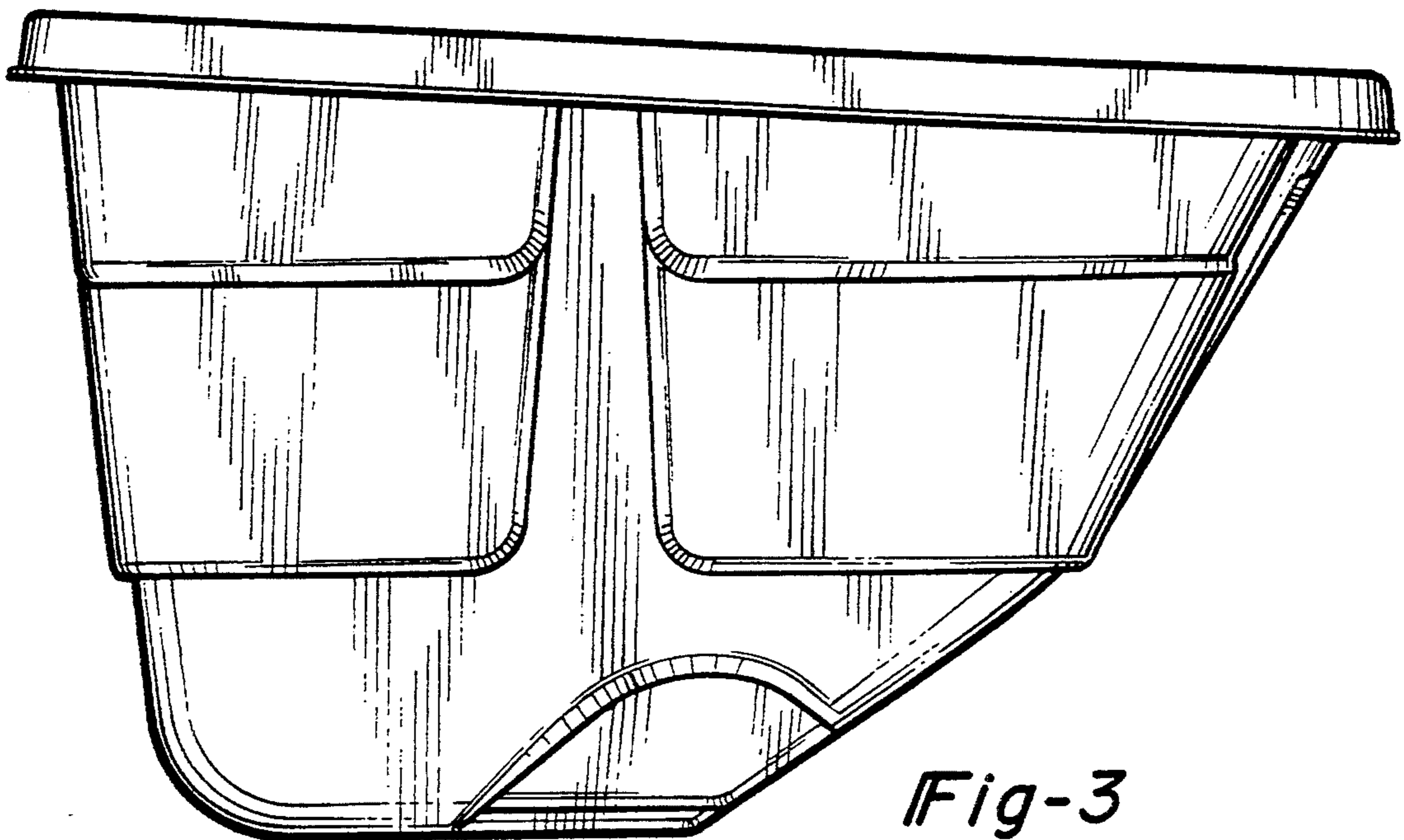


Fig-3

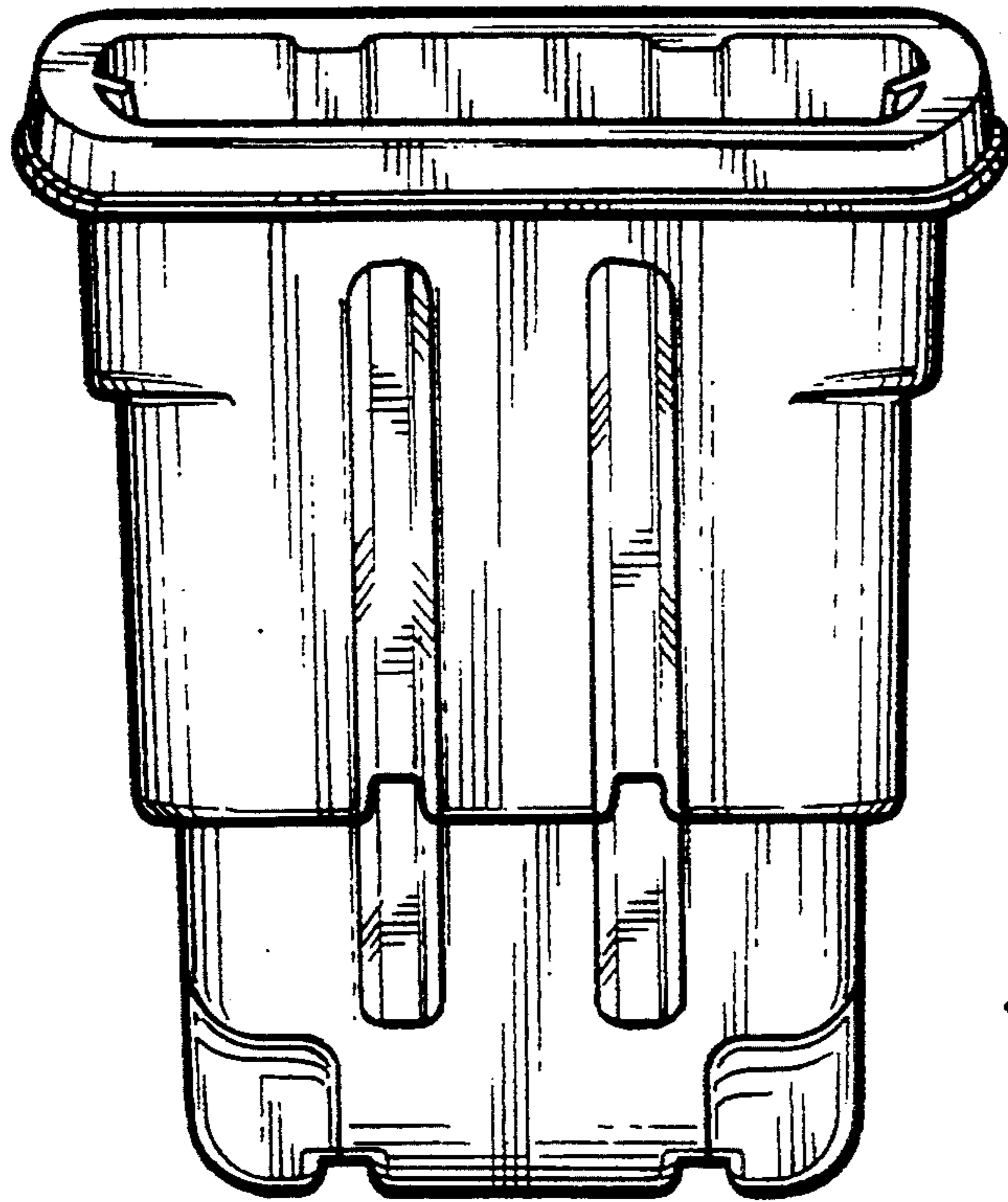


Fig-4

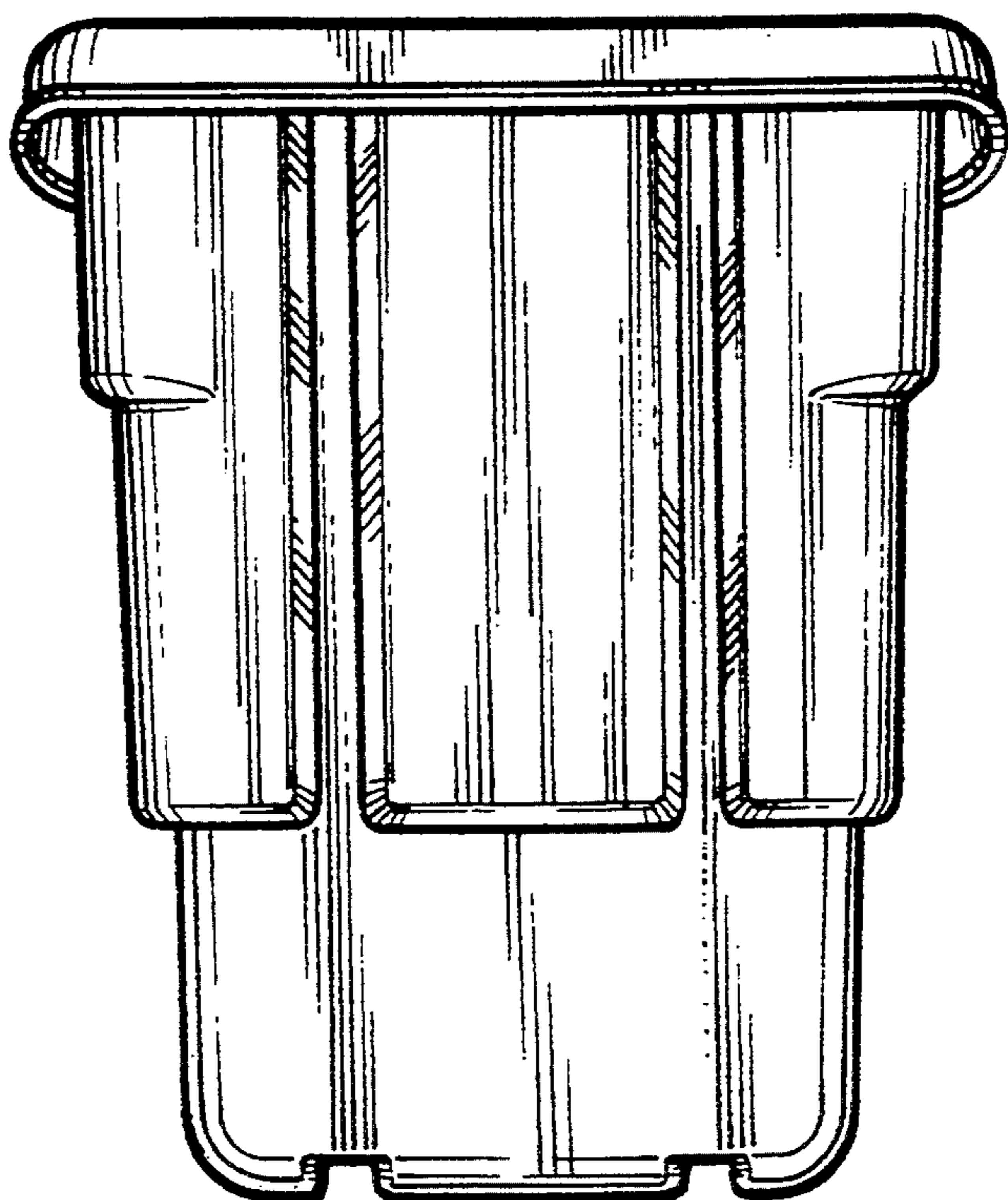


Fig-5

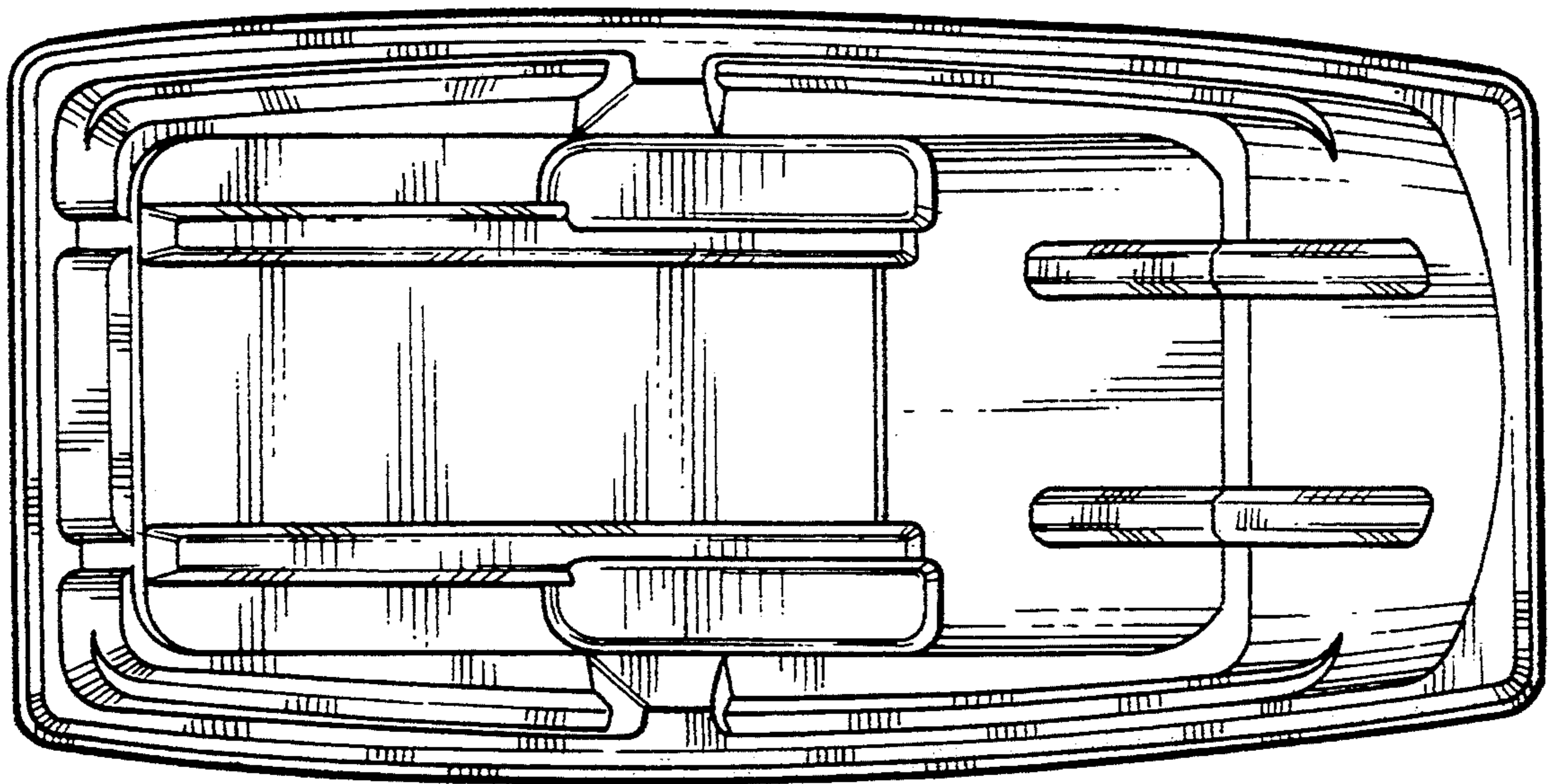


Fig-6