



US00D361188S

# United States Patent [19]

[11] Patent Number: **Des. 361,188**

Perelli

[45] Date of Patent: **\*\* Aug. 8, 1995**

[54] CART

[56] References Cited

[75] Inventor: **Thomas Perelli, Winchester, Va.**

### U.S. PATENT DOCUMENTS

D. 323,913 2/1992 Ernsberger et al. .... D34/19

[73] Assignee: **Rubbermaid Commercial Products Inc., Winchester, Va.**

*Primary Examiner*—Kay H. Chin  
*Attorney, Agent, or Firm*—Richard B. O'Planick; Lisa B. Riedesel

[\*\*] Term: **14 Years**

[57] CLAIM

The ornamental design for a cart, as shown and described.

[21] Appl. No.: **27,373**

### DESCRIPTION

[22] Filed: **Aug. 19, 1994**

FIG. 1 is a top left front perspective view of a cart showing my new design. The broken lines are for illustrative purposes only and form no part of the claimed design;

[52] U.S. Cl. .... **D34/21; D6/479; D34/17**

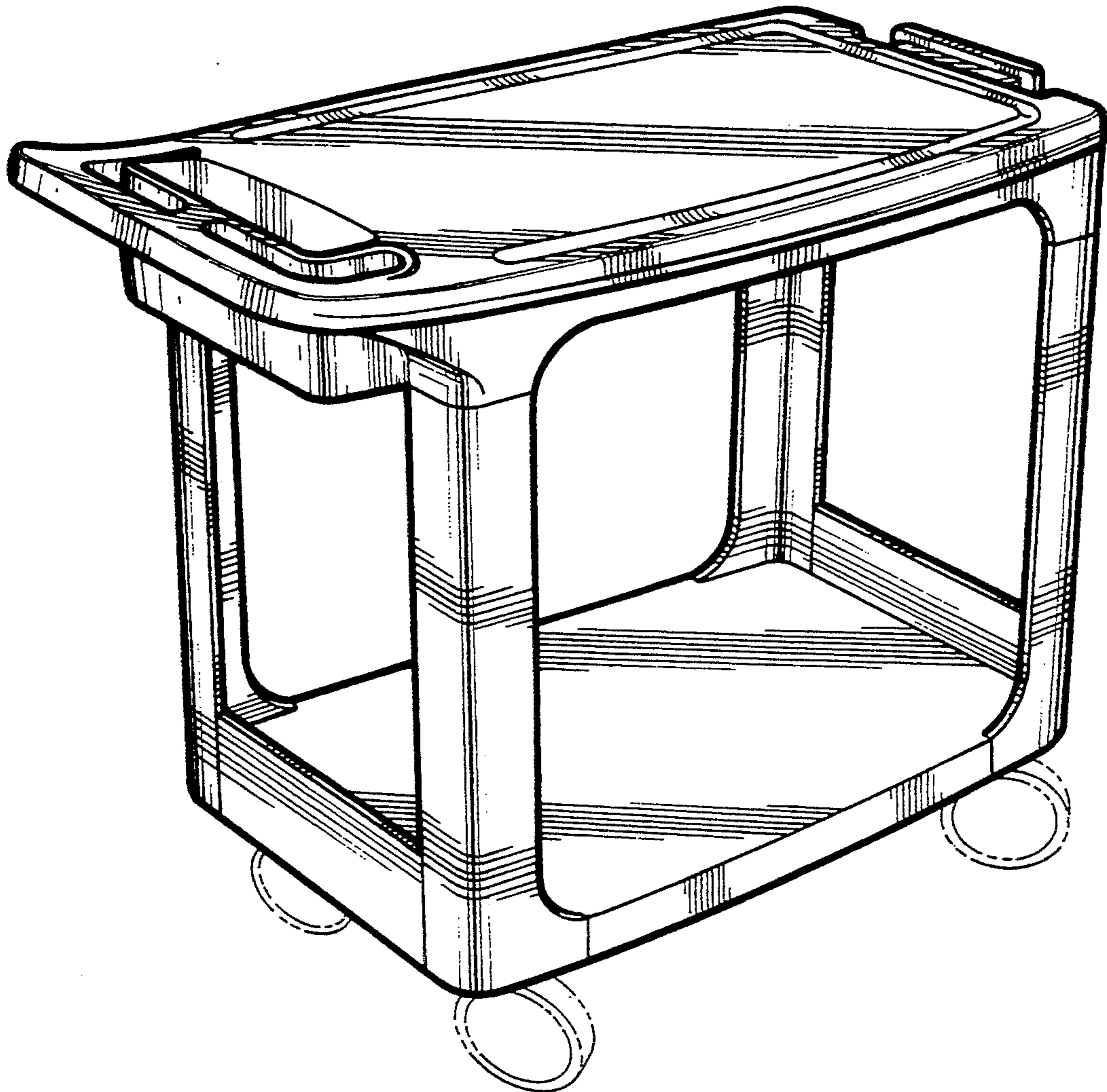
FIG. 2 is a top plan view thereof;

[58] Field of Search ..... **D34/12, 17, 19, 20, D34/21; D6/479, 476, 478, 432; 108/144; 312/209, 218, 216; 280/47.35, 79.11**

FIG. 3 is a front elevational view thereof; the rear elevational view being a mirror image;

FIG. 4 is a right side elevational view thereof; and,

FIG. 5 is a left side elevational view thereof.



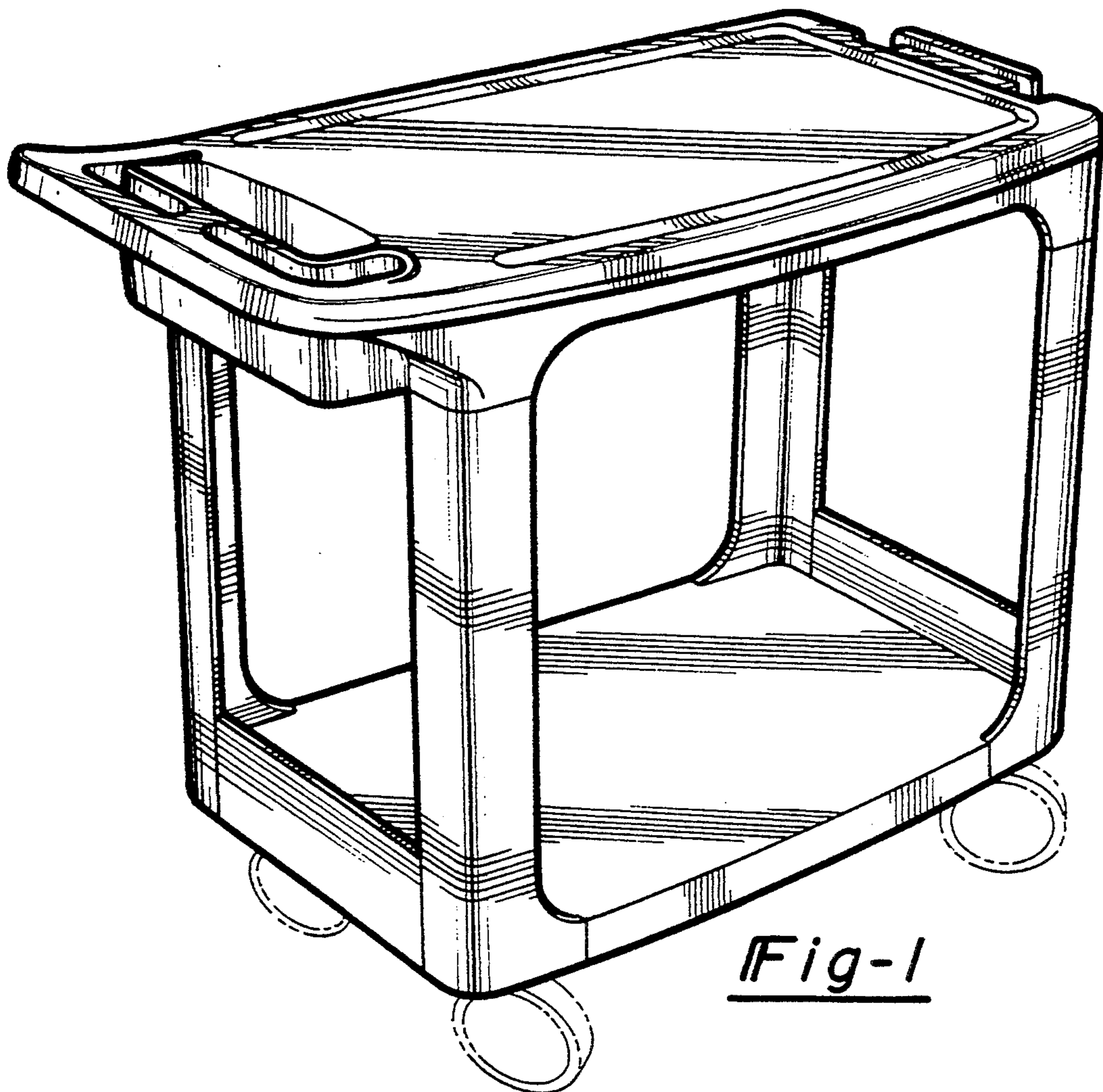


Fig-1

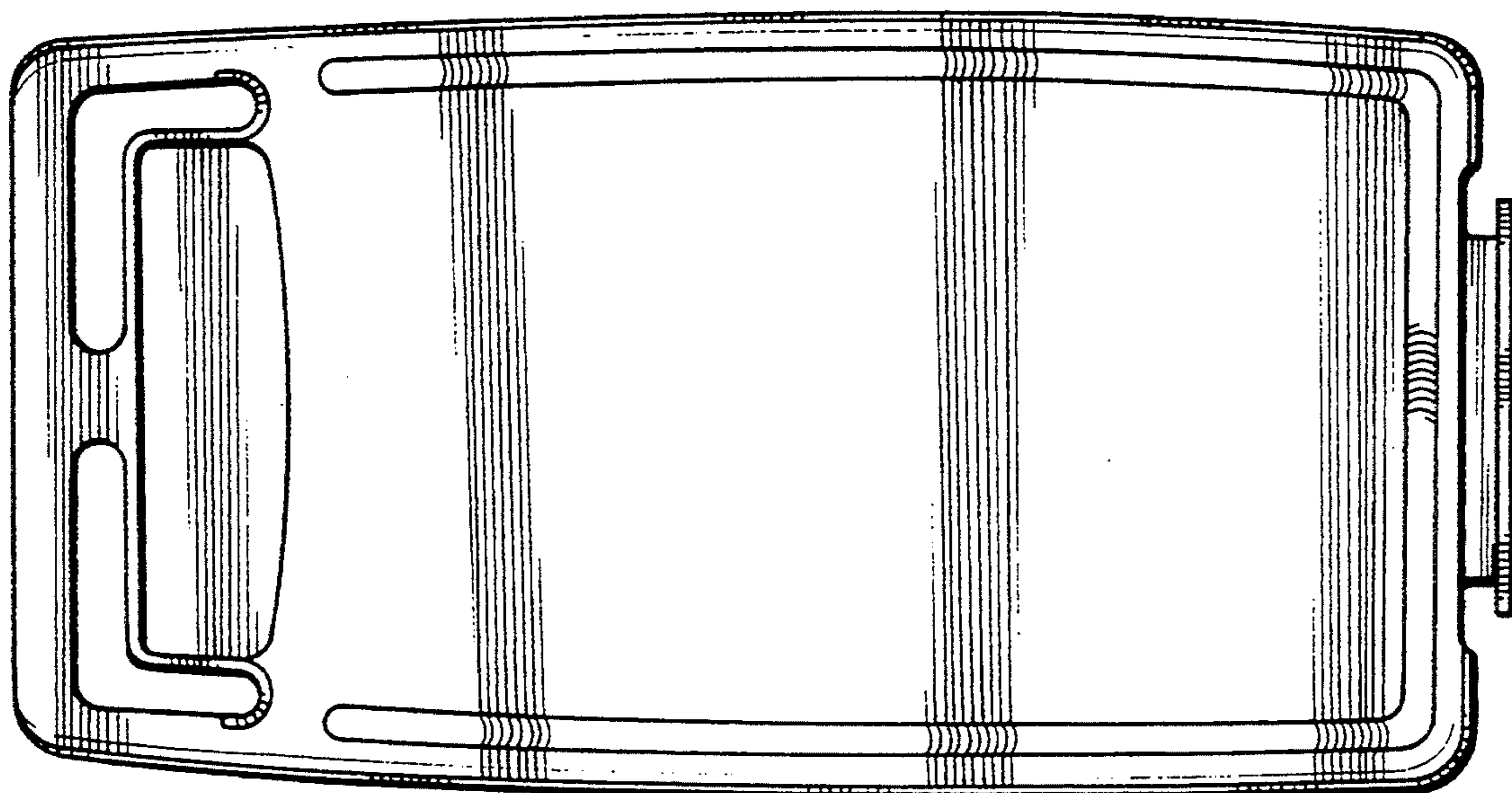


Fig-2



Fig-3

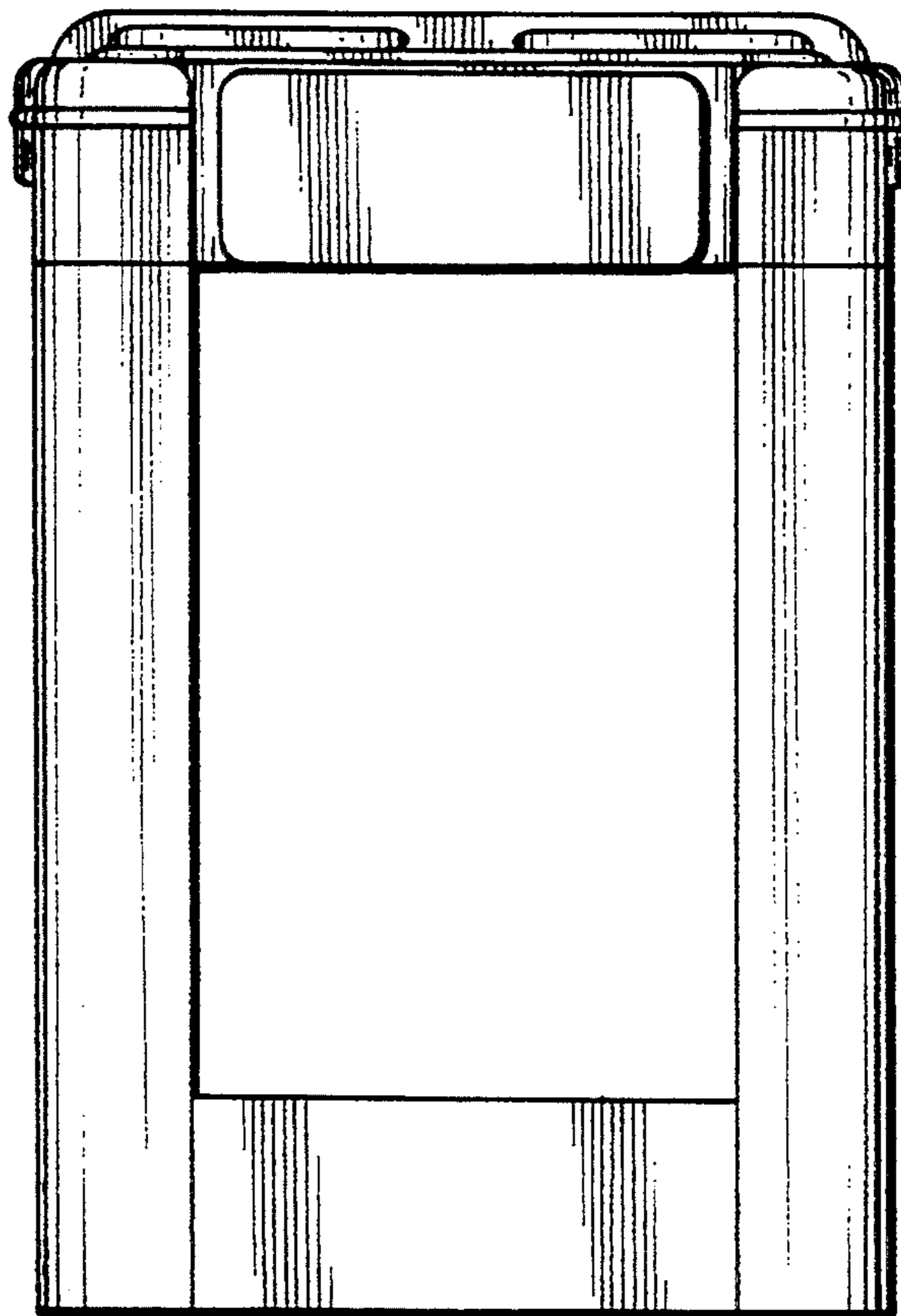
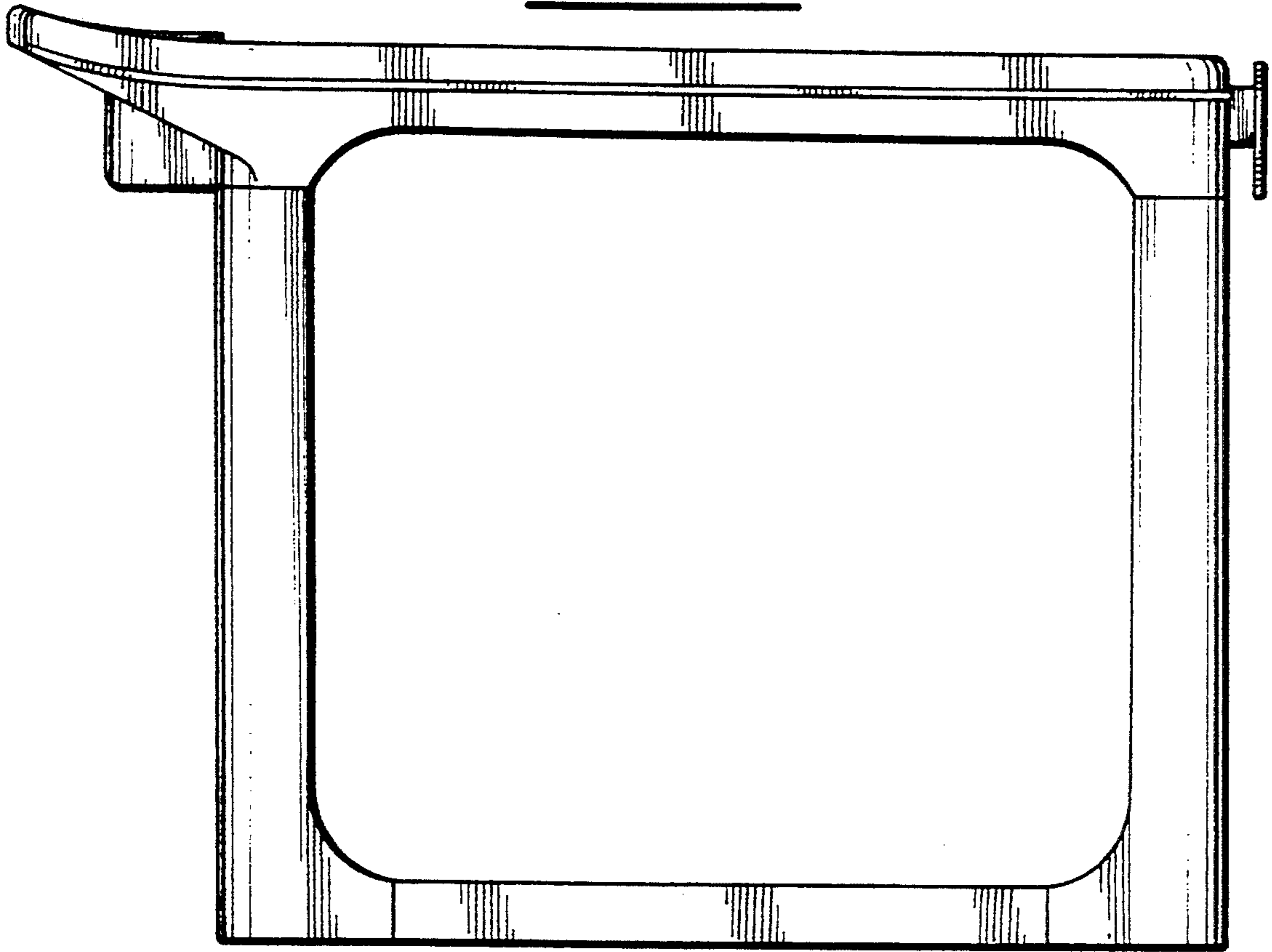


Fig-4

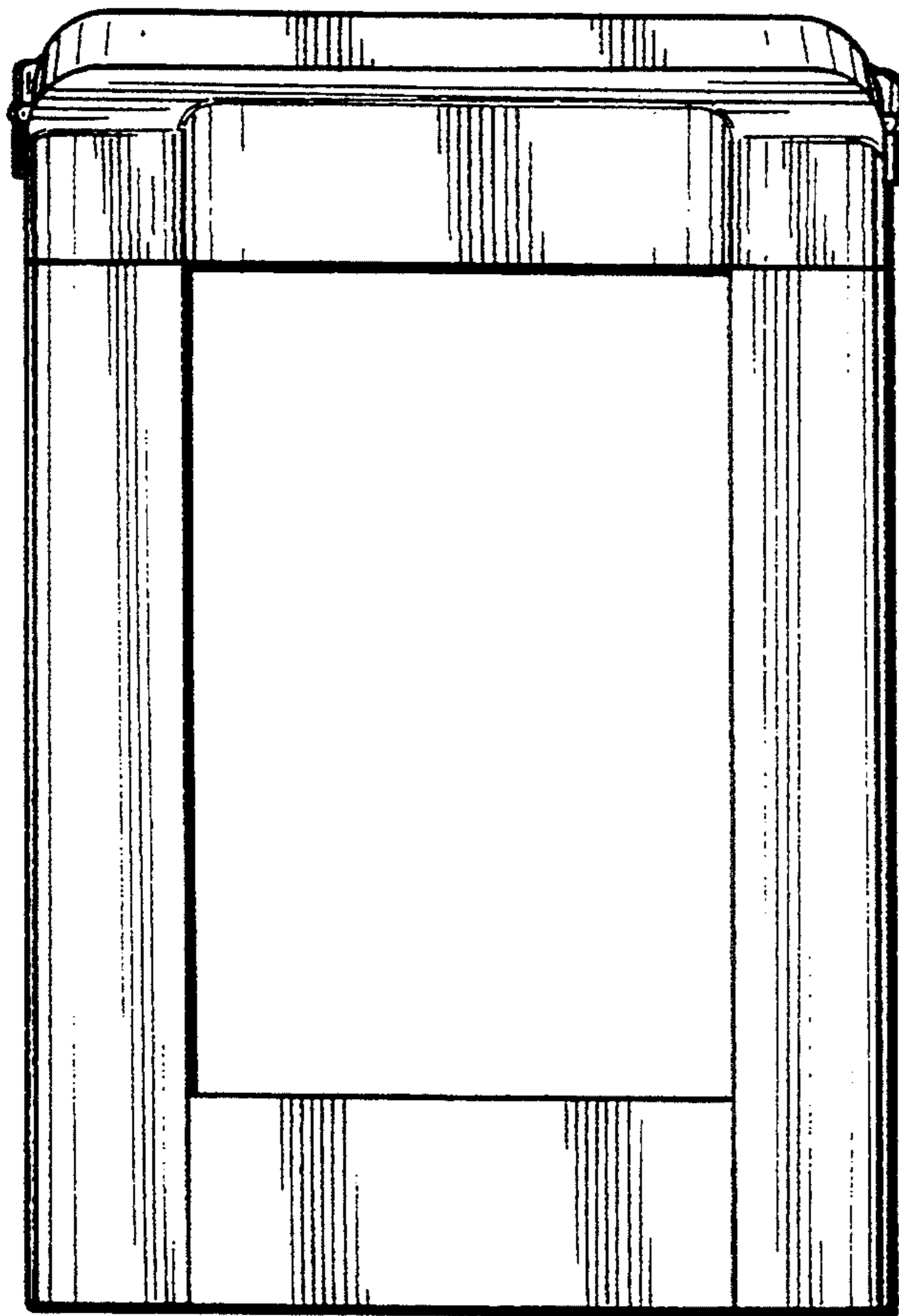


Fig-5