



US00D361187S

United States Patent [19]

[11] Patent Number: **Des. 361,187**

Snell

[45] Date of Patent: **** Aug. 8, 1995**

[54] **SERVICE CART**

4,786,122 11/1988 Nichoalds 312/257
5,016,948 5/1991 Welch et al. 312/250

[75] Inventor: **Rusty B. Snell, Maryville, Tenn.**

[73] Assignee: **Rubbermaid Office Products Inc.,
Maryville, Tenn.**

[**] Term: **14 Years**

[21] Appl. No.: **25,610**

[22] Filed: **Jul. 7, 1994**

[52] U.S. Cl. **D34/21; D34/19**

[58] Field of Search **D34/12, 17, 19, 20,
D34/21; 108/144, 180, 193; 312/218, 209, 206;
211/187, 181; 280/47.35, 79.3**

[56] **References Cited**

U.S. PATENT DOCUMENTS

| | | | |
|------------|---------|-----------------------|---------|
| D. 199,670 | 12/1964 | Inglis | D14/3 |
| D. 232,166 | 7/1974 | Salagiver | D12/27 |
| D. 246,165 | 10/1977 | Bacskey et al. | D12/29 |
| D. 275,044 | 8/1984 | Hampshire et al. | D34/21 |
| D. 302,064 | 7/1989 | Delmerico | D34/20 |
| D. 323,915 | 2/1992 | Welch | D34/21 |
| 3,034,444 | 9/1989 | Yoshikawa | D34/21 |
| 4,474,416 | 10/1984 | Rogahn | 312/257 |
| 4,644,876 | 2/1987 | Thomas | 108/111 |
| 4,740,010 | 4/1988 | Moskovitz | 280/641 |
| 4,763,799 | 8/1988 | Cohn et al. | 211/187 |

OTHER PUBLICATIONS

P. E4, Carts; Company name and address unknown. Published at least as early as February, 1994.

Catalog page, Carts; Luxor Corporation, Waukegan, Illinois 60085. Publication date 1987.

Catalog page, Carts; Company name and address unknown. Published at least as early as Feb., 1994.

Primary Examiner—Kay H. Chin

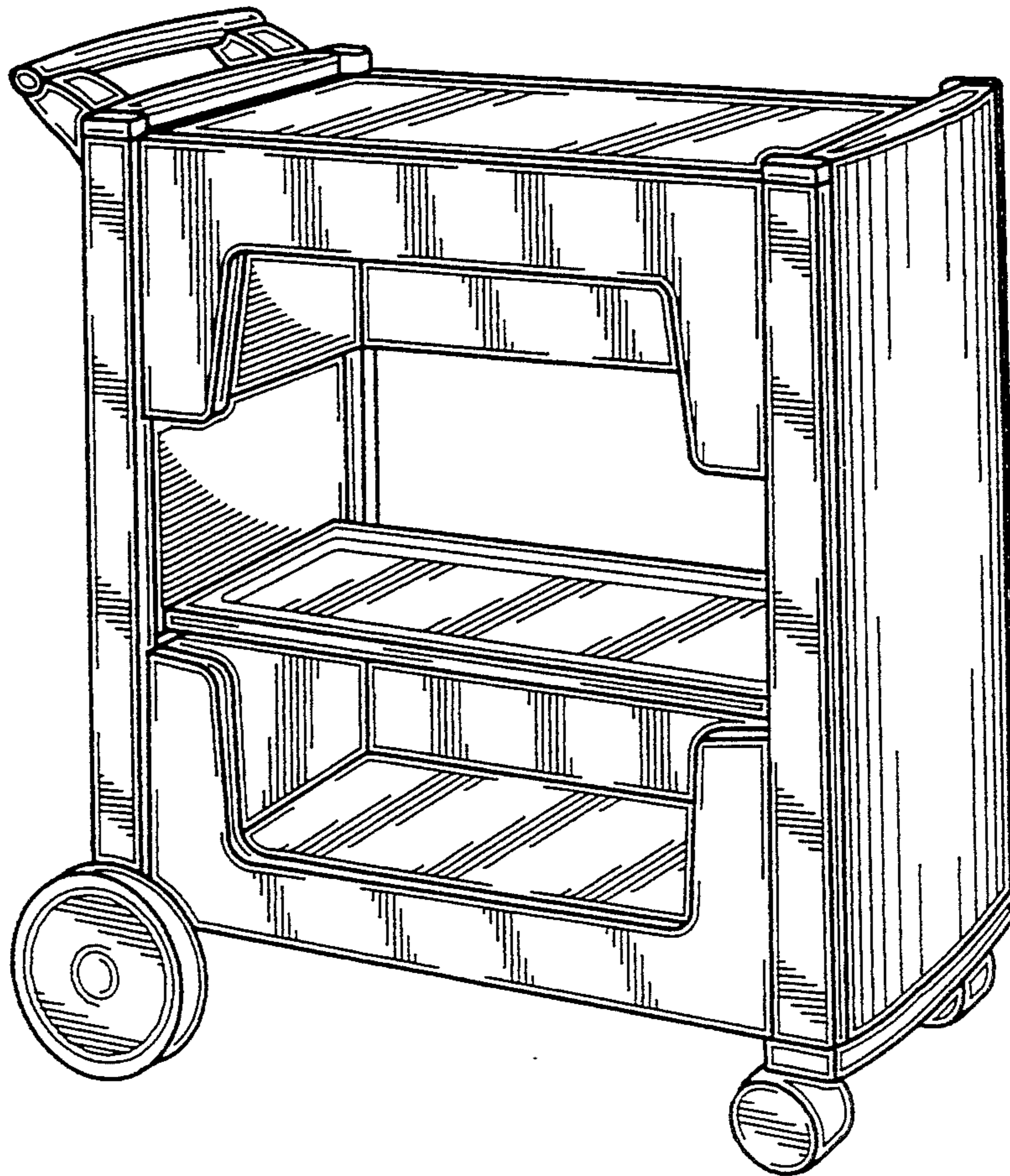
Attorney, Agent, or Firm—Richard B. O'Planick; Lisa B. Riedesel

[57] **CLAIM**

The ornamental design for a service cart, as shown and described.

DESCRIPTION

FIG. 1 is a top right front perspective view of a service cart showing my new design;
FIG. 2 is a front elevational view thereof;
FIG. 3 is a rear elevational view thereof;
FIG. 4 is a right side elevational view thereof;
FIG. 5 is a left side elevational view thereof;
FIG. 6 is a top plan view thereof; and,
FIG. 7 is a bottom plan view thereof.



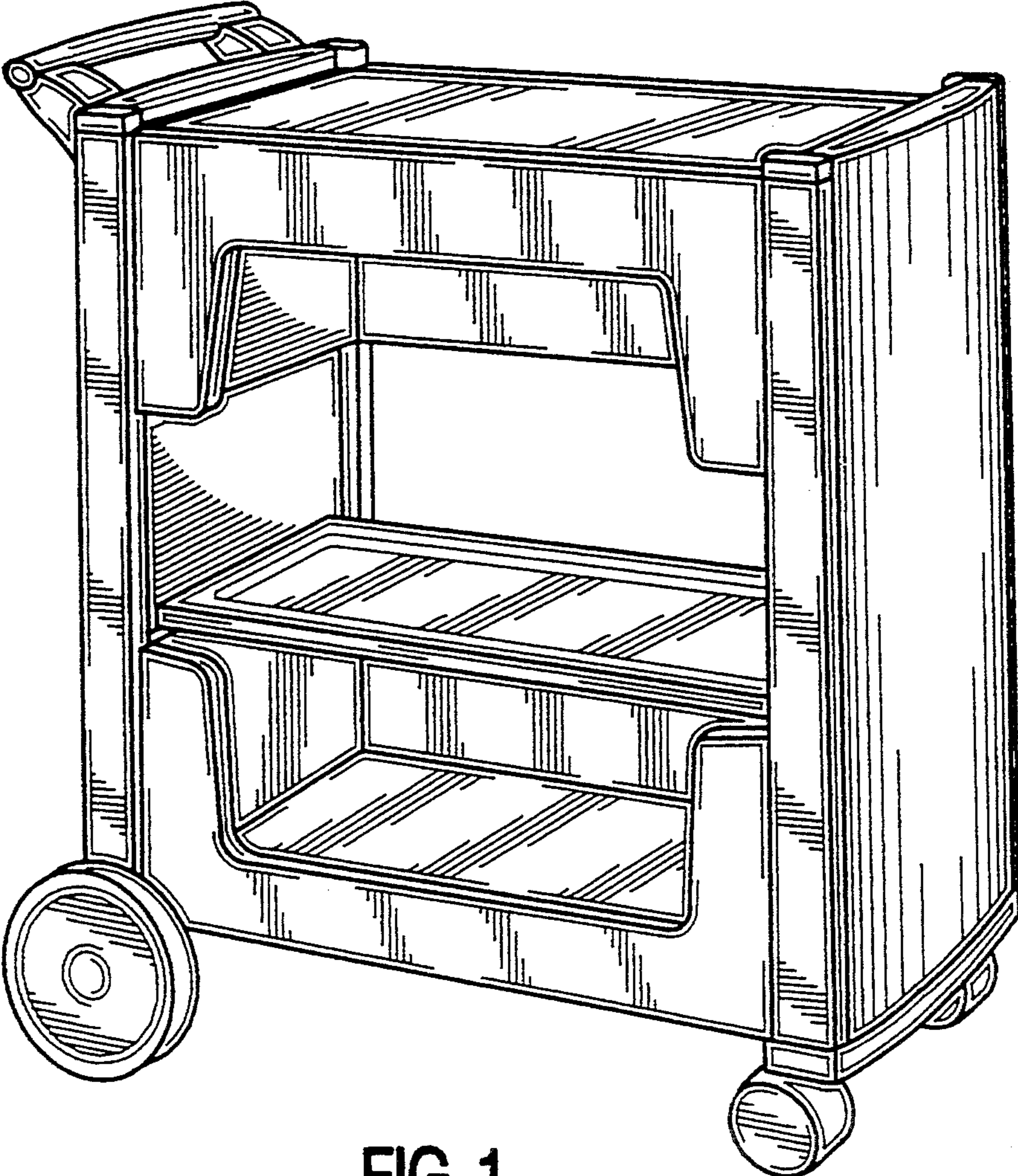


FIG. 1

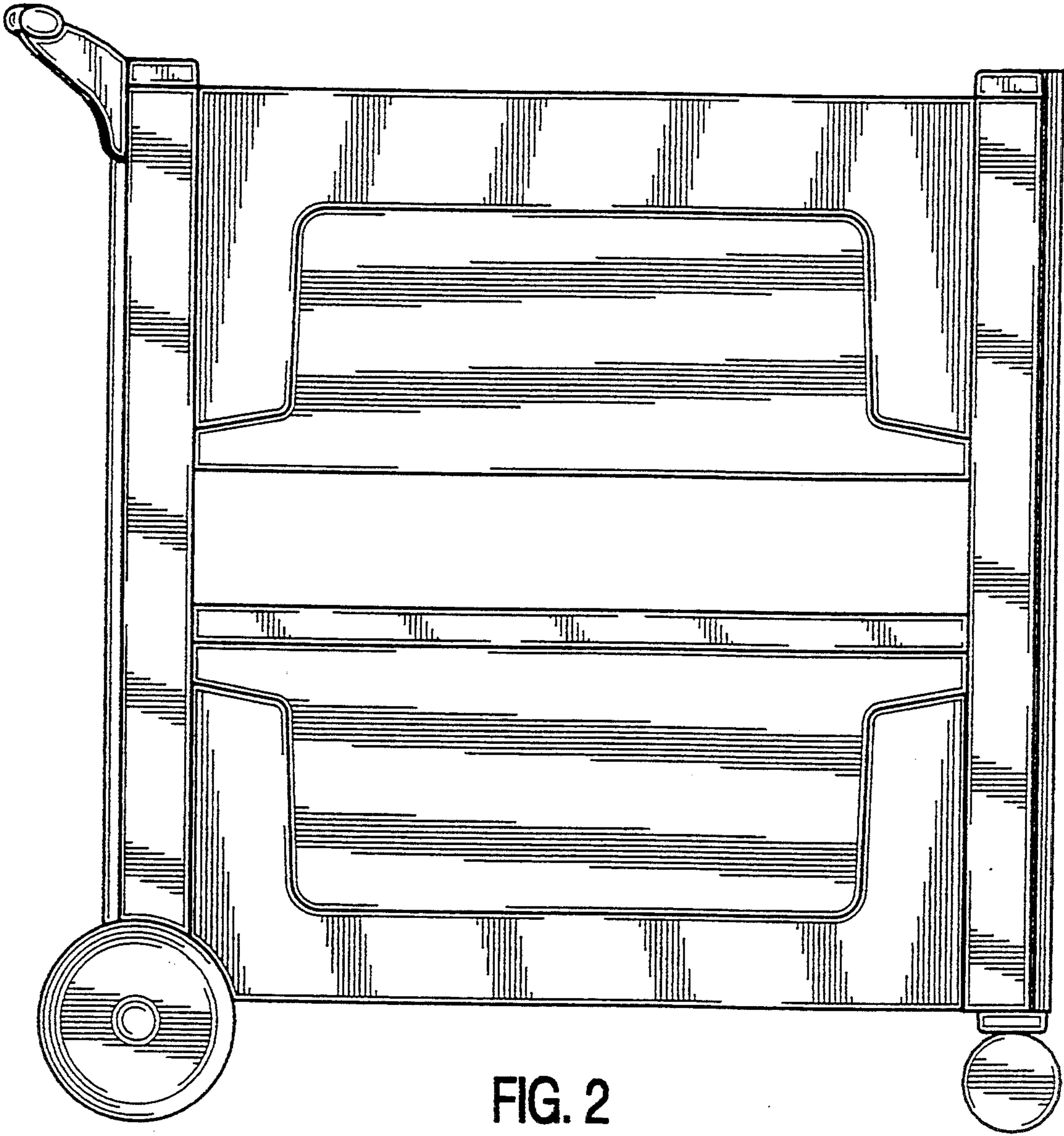


FIG. 2

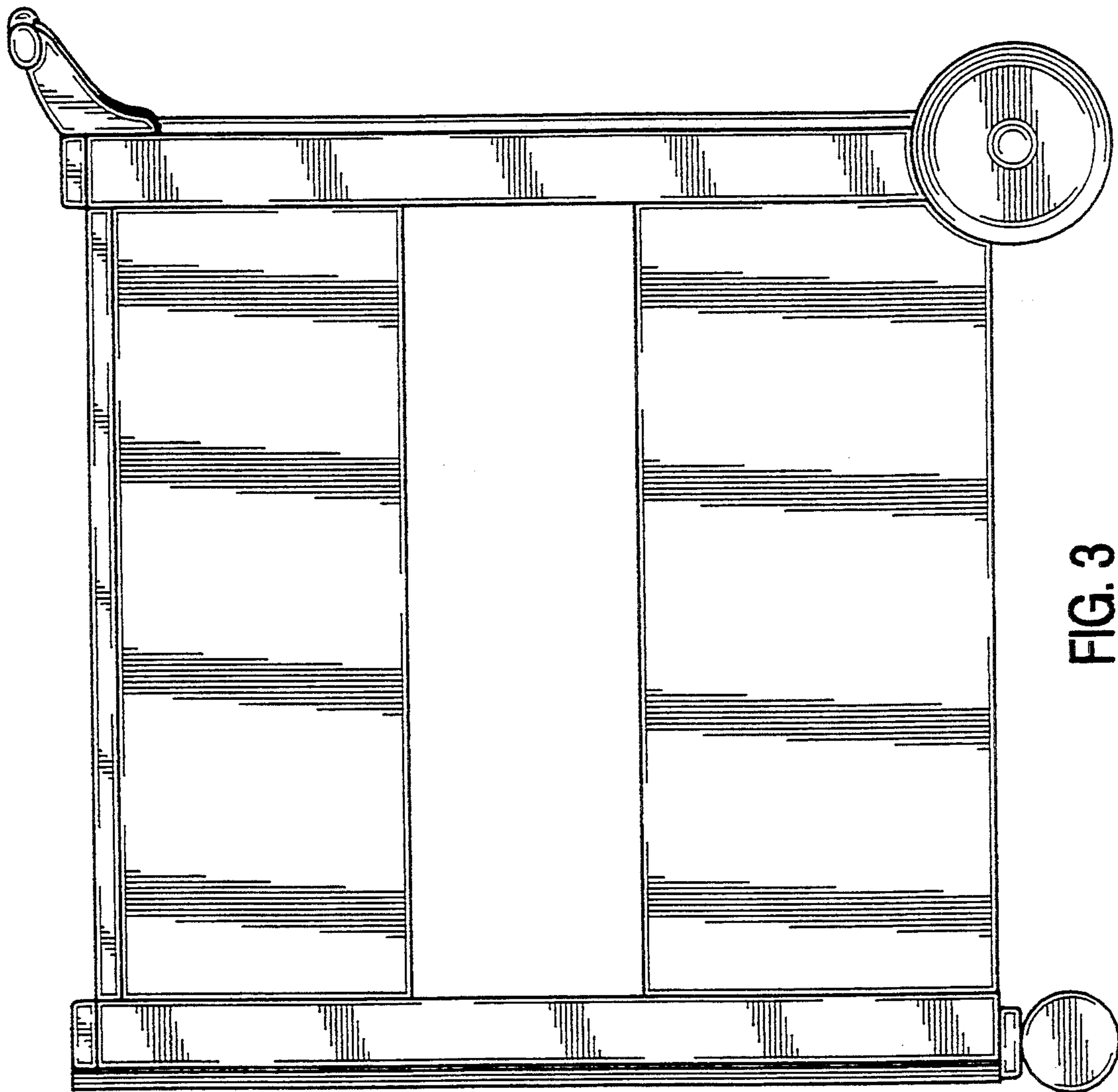


FIG. 3

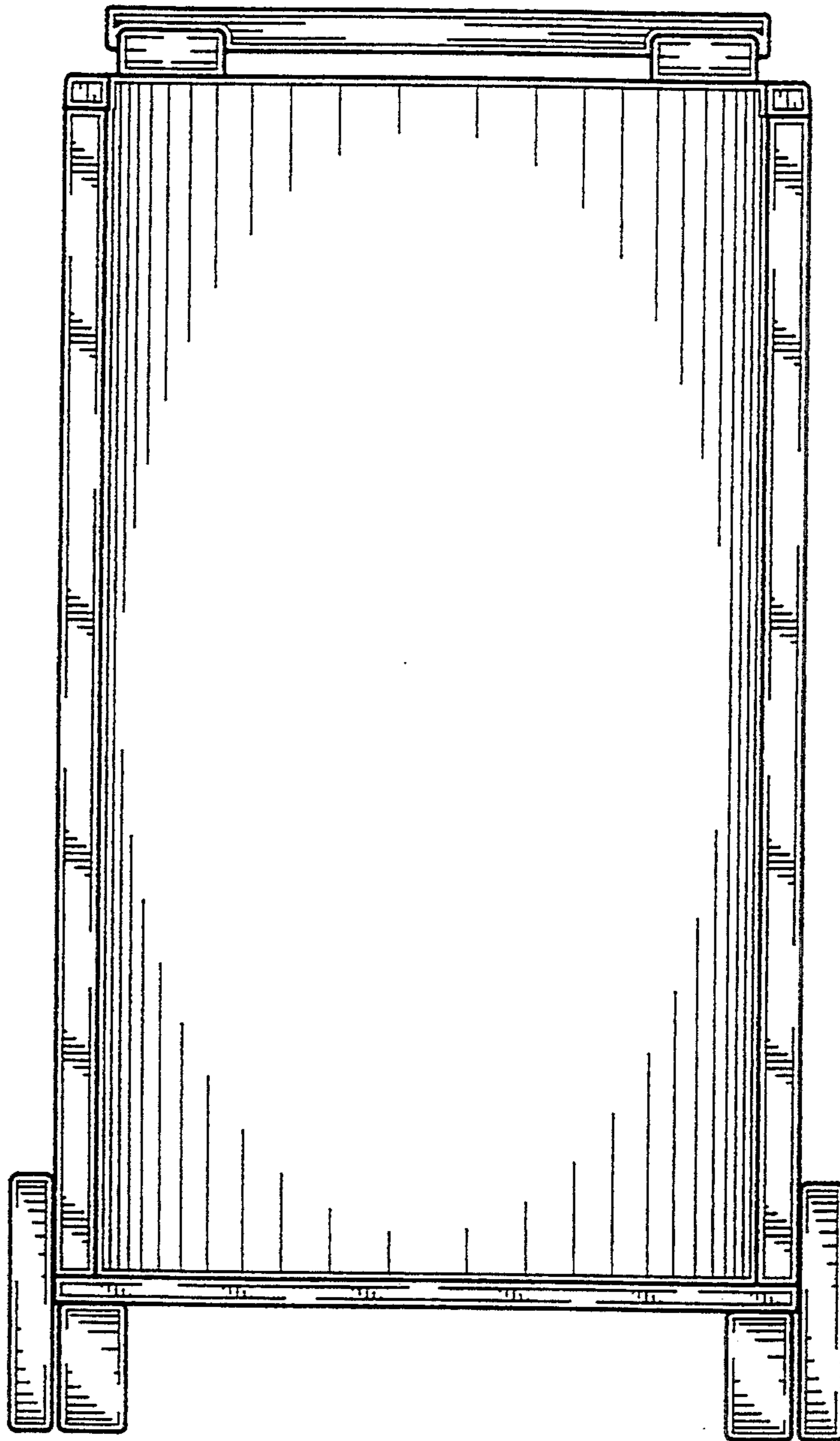


FIG. 4

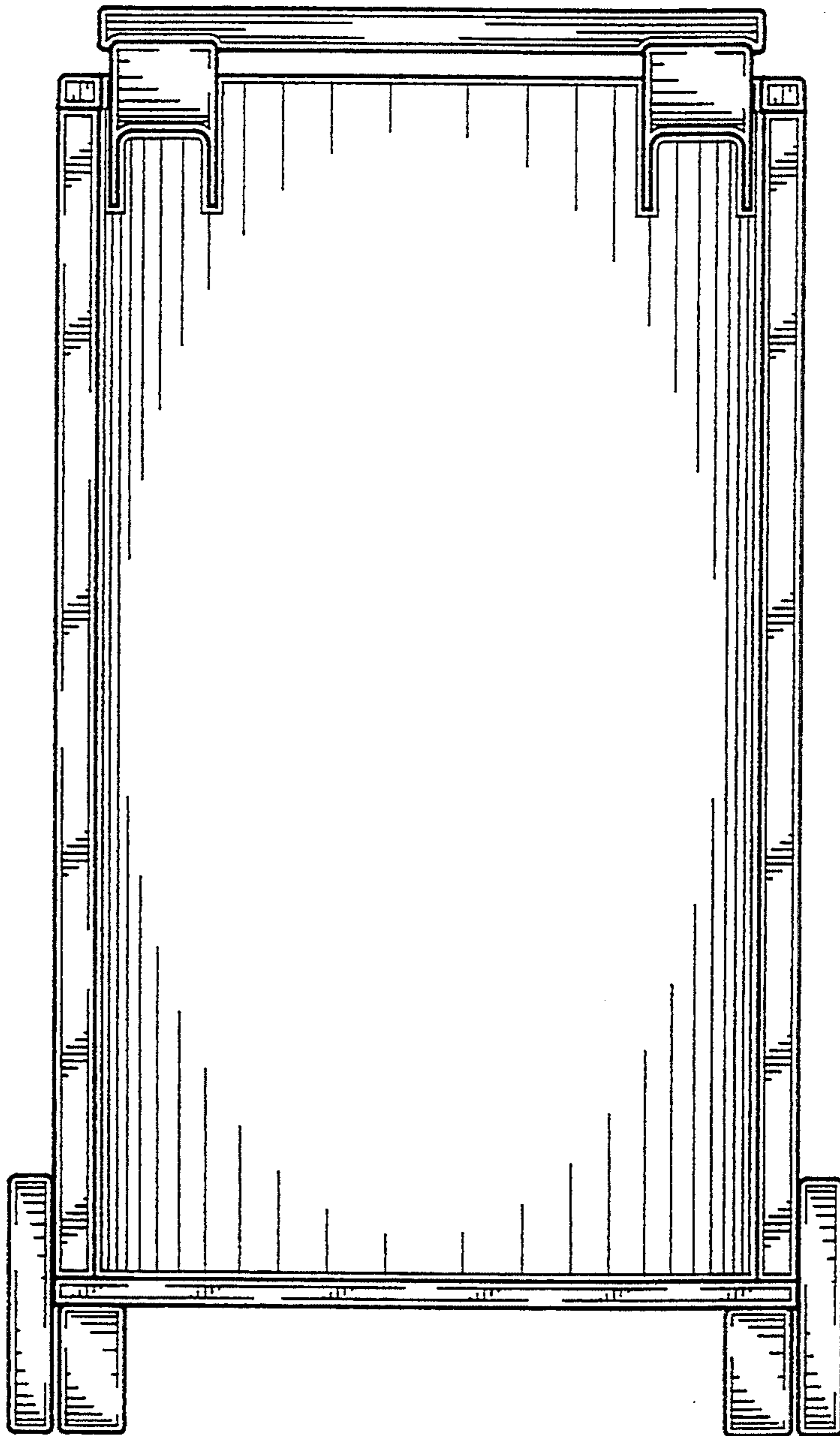


FIG. 5

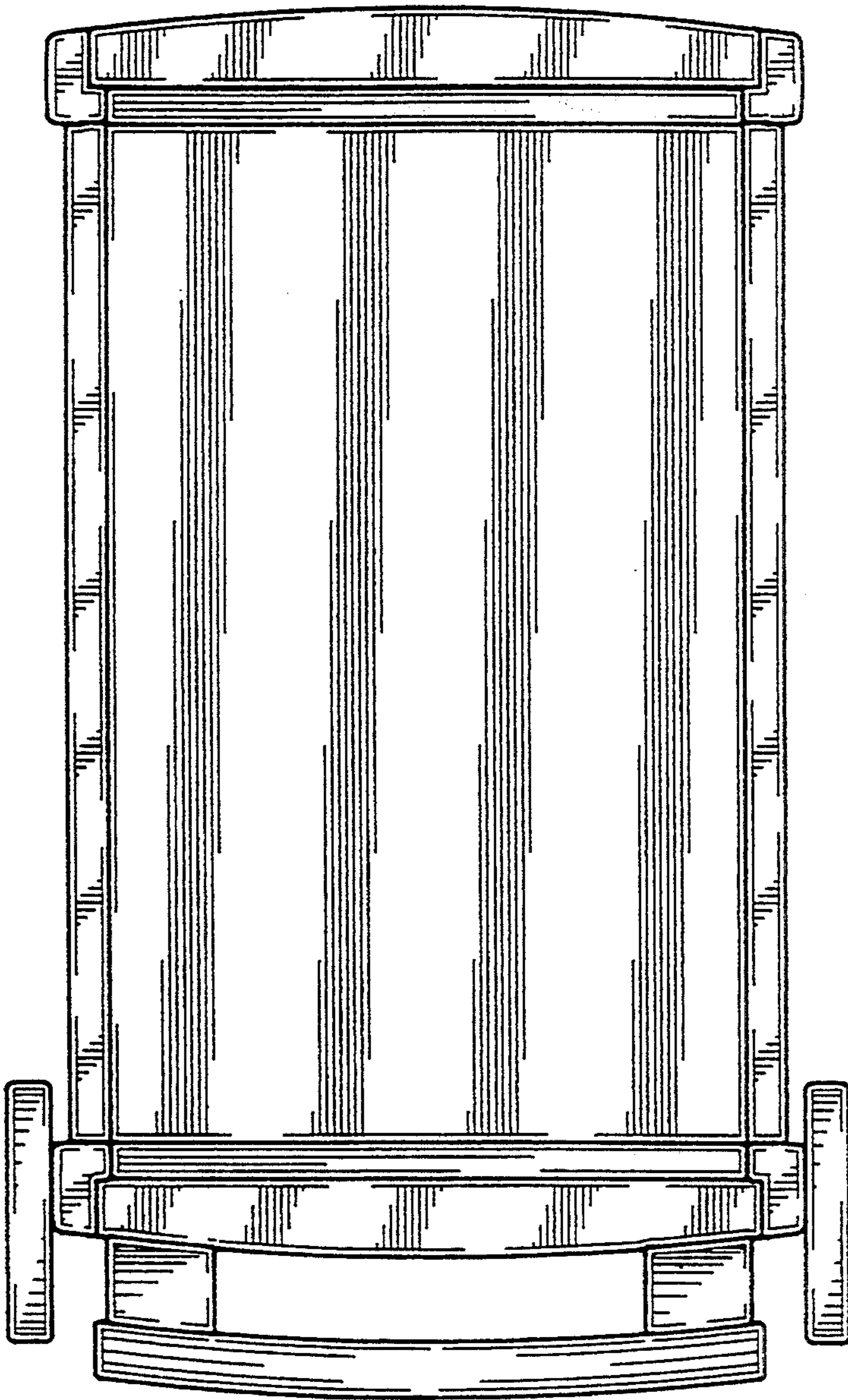


FIG. 6

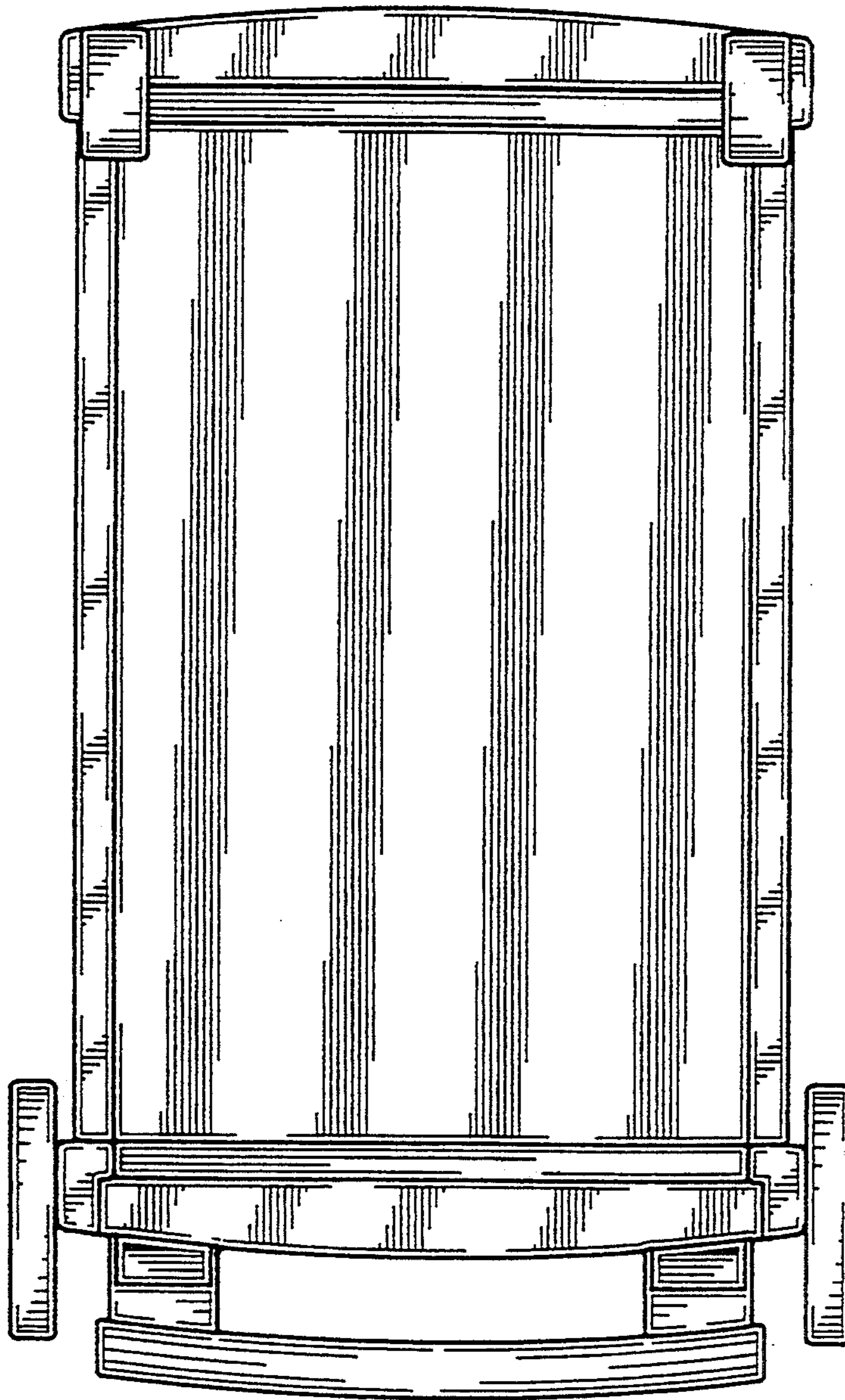


FIG. 7