



US00D361184S

United States Patent [19]

[11] Patent Number: **Des. 361,184**

Casuso Fuente

[45] Date of Patent: **** Aug. 8, 1995**

[54] IRON

[56]

References Cited

U.S. PATENT DOCUMENTS

[75] Inventor: **Francisco G. Casuso Fuente, Valle De Trapage, Spain**

D. 165,909 2/1952 Collura D32/70

D. 315,238 3/1991 Chen D32/70

D. 315,433 3/1991 Chen D32/68

[73] Assignee: **Officina De Investigacion AG Rupada, S.A., Eibar, Spain**

FOREIGN PATENT DOCUMENTS

4097797 3/1992 Japan 38/77.8

[**] Term: **14 Years**

Primary Examiner—A. Hugo Word

Assistant Examiner—Lavone D. Tabor

Attorney, Agent, or Firm—Helfgott & Karas

[21] Appl. No.: **3,873**

[57] CLAIM

[22] Filed: **Jan. 21, 1993**

The ornamental design for an iron, as shown and described.

DESCRIPTION

[30] Foreign Application Priority Data

Jul. 21, 1992 [ES] Spain 128.091

[52] U.S. Cl. **D32/70**

[58] Field of Search **D32/68-72;**

38/74, 77.1-77.8, 77.81-77.83, 77.9, 85, 88, 90-93; 219/245, 248, 254

FIG. 1 is a front view of the iron;

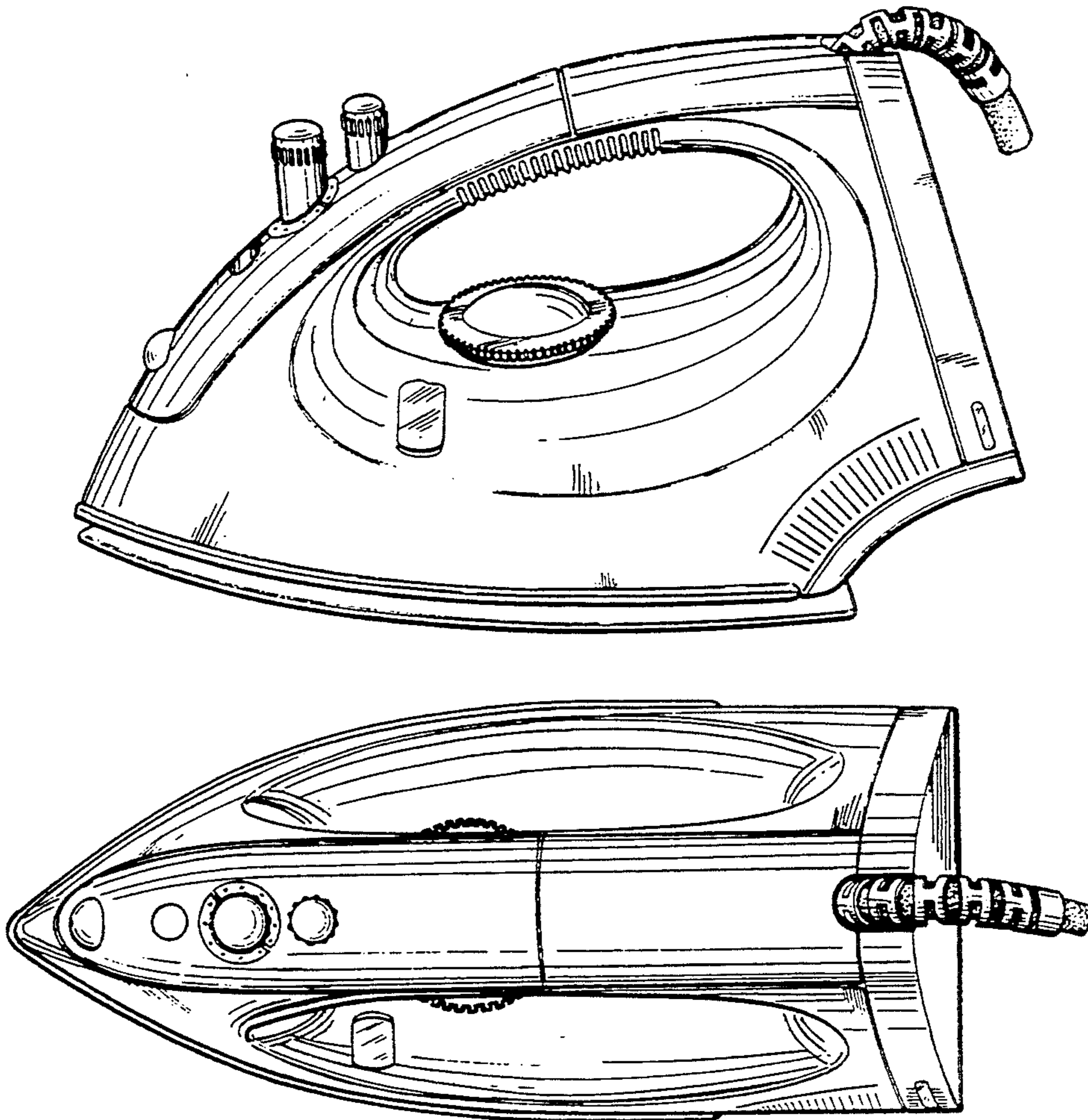
FIG. 2 is a rear view thereof;

FIG. 3 is a left side view thereof;

FIG. 4 is a top view thereof;

FIG. 5 is a right side view thereof; and,

FIG. 6 is a bottom view thereof.



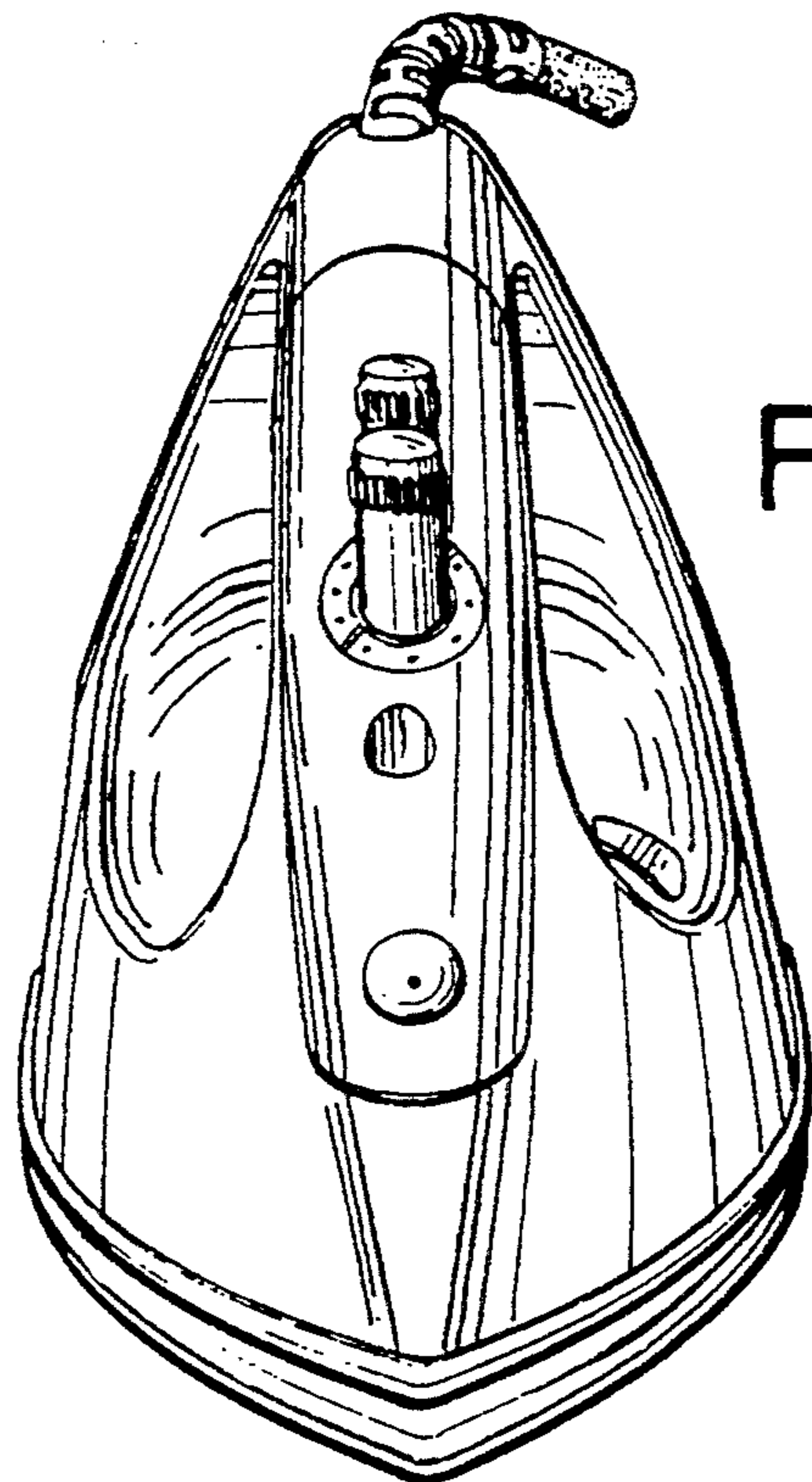


FIG. 1

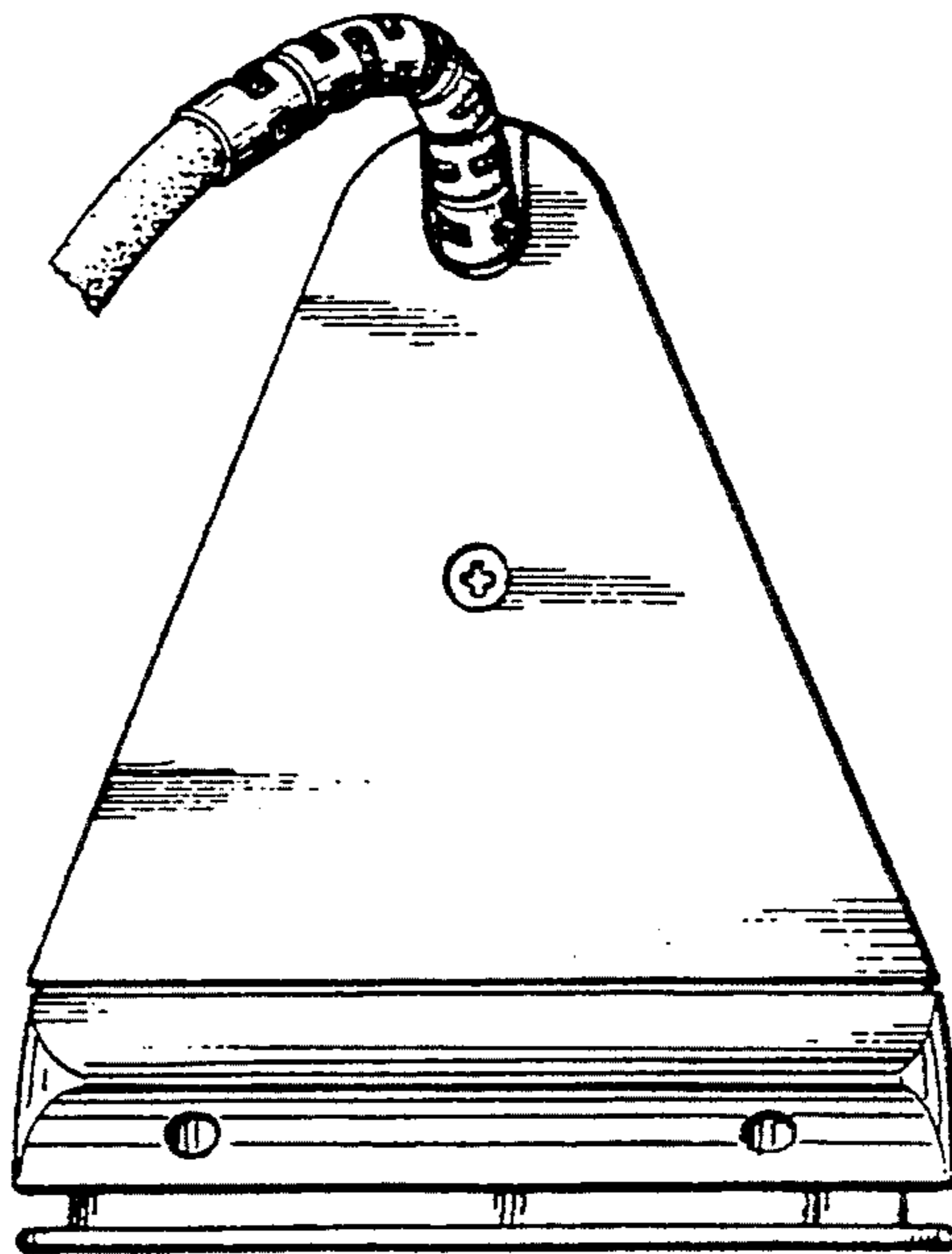


FIG. 2

FIG. 3

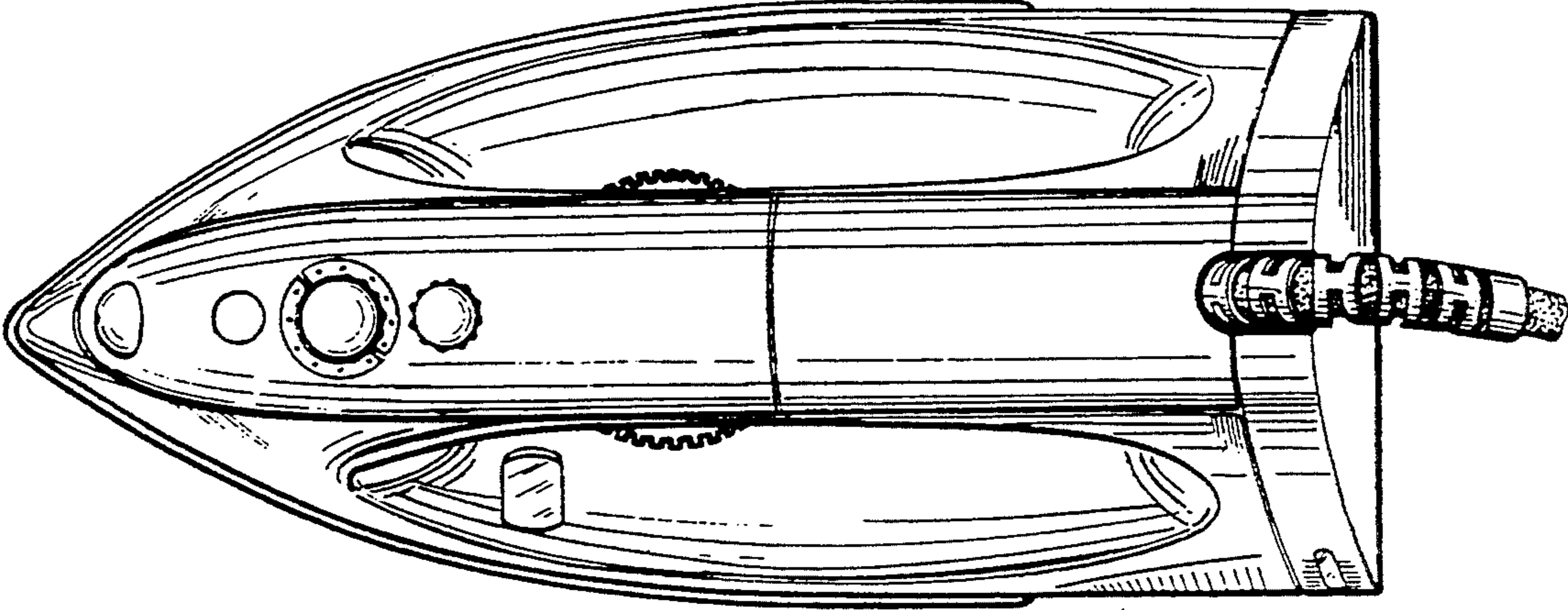
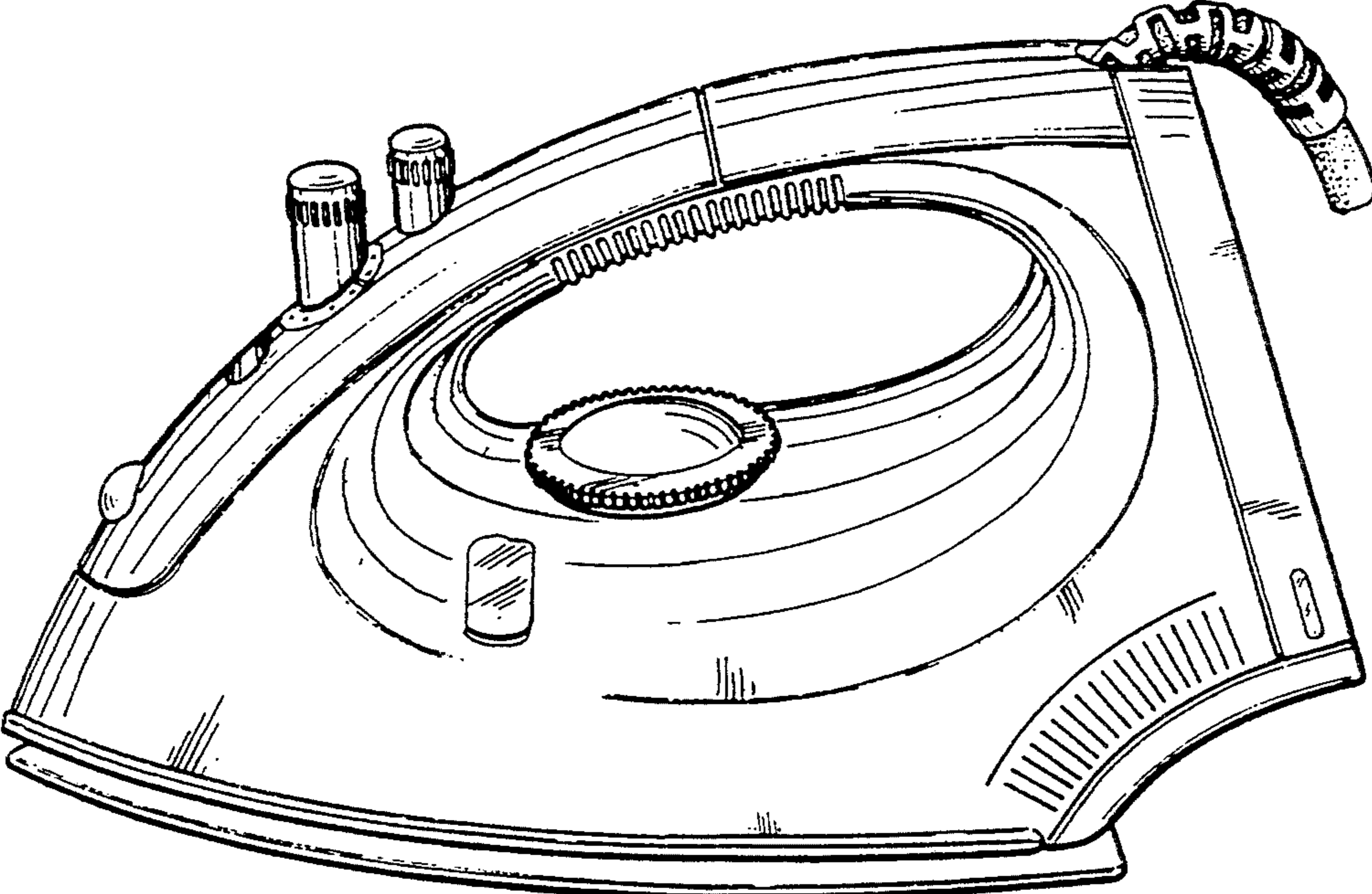


FIG. 4

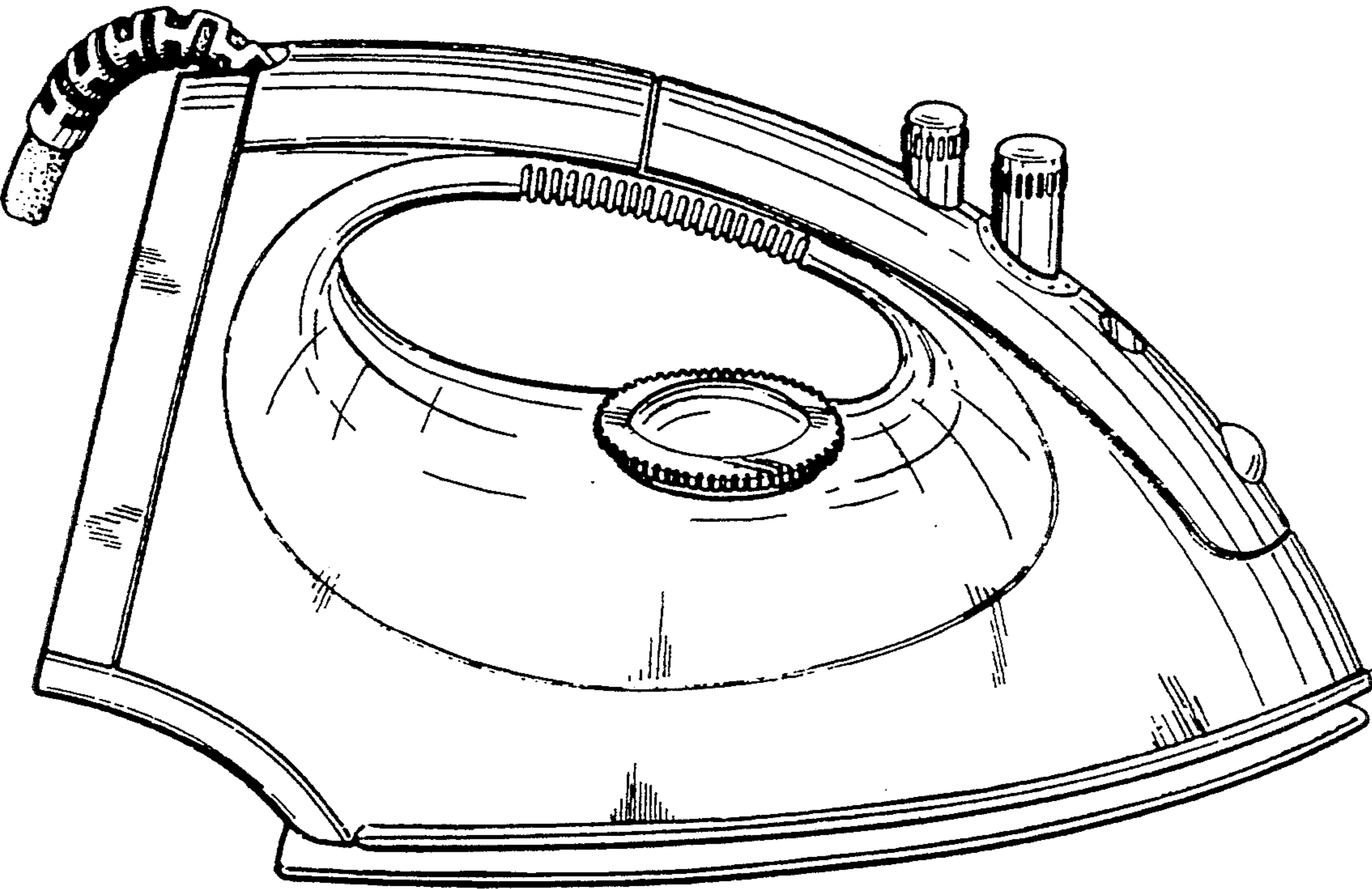


FIG. 5

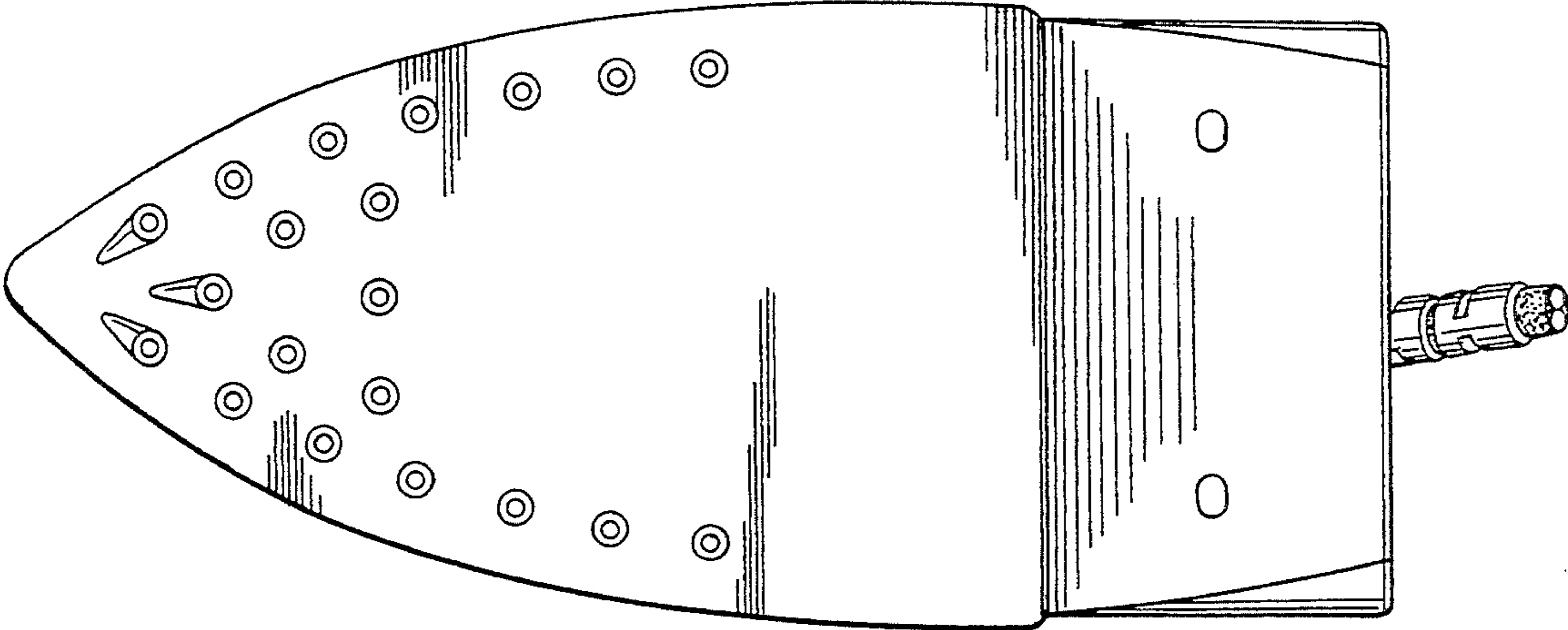


FIG. 6