



US00D361183S

# United States Patent [19]

[11] Patent Number: **Des. 361,183**

**Pilney**

[45] Date of Patent: **\*\* Aug. 8, 1995**

[54] **UTILITY CONTAINER**

[76] Inventor: **Craig Pilney**, 7105 Eleanor Pl., Darien, Ill. 60561

[\*\*] Term: **14 Years**

[21] Appl. No.: **19,732**

[22] Filed: **Mar. 9, 1994**

[52] U.S. Cl. .... **D32/53; D32/53.1**

[58] Field of Search ..... **D32/53, 53.1, 54; 248/210; 220/694-702, 735, 755, 760, 770, 751; 15/248.2, 257.05, 257.06**

3,630,251	12/1971	Ross .	
3,643,854	2/1972	Holmes .	
4,205,411	6/1980	Cupp et al. .	
4,616,762	10/1986	Alexander .	
4,756,439	7/1988	Perock .....	220/695
5,201,439	4/1993	Davies .	
5,224,617	7/1993	Gaudreault .	

*Primary Examiner*—Wallace R. Burke  
*Assistant Examiner*—Robin V. Taylor  
*Attorney, Agent, or Firm*—Welsh & Katz, Ltd.

[57] **CLAIM**

The ornamental design for a utility container, as shown and described.

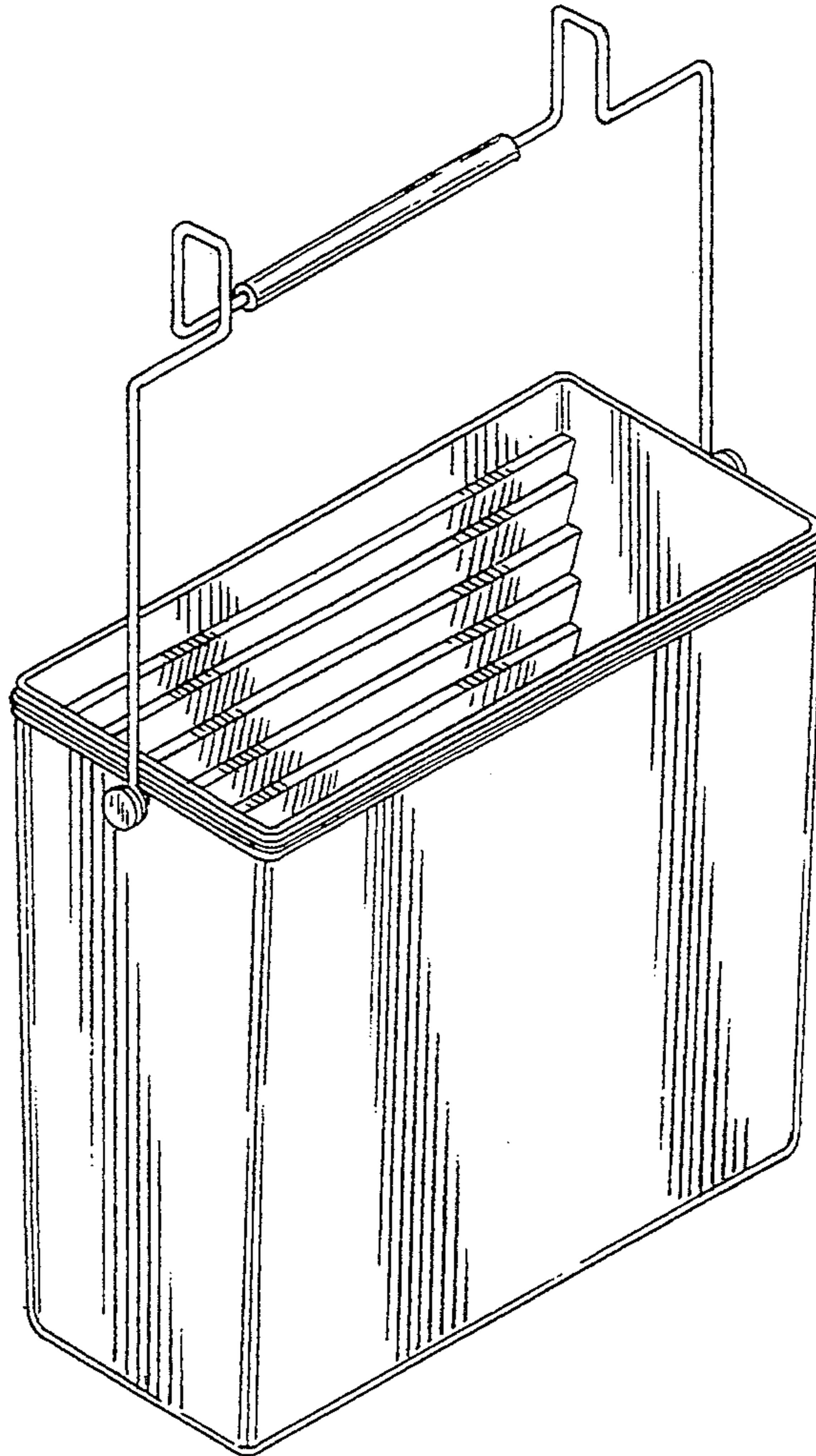
[56] **References Cited**

**U.S. PATENT DOCUMENTS**

D. 202,134	8/1965	Bryan .....	D32/53.1
973,564	10/1910	Pritchard .....	220/755
1,196,492	8/1916	Sykes .....	D32/53
1,610,200	12/1926	Campbell .....	220/755
2,508,258	5/1950	Heinrich .	
2,908,468	10/1959	Thomas .	
2,988,767	6/1961	Tretwold et al. ....	220/695
3,292,815	12/1966	Smith et al. .	
3,391,698	7/1968	Wiles .....	220/694

**DESCRIPTION**

FIG. 1 is a perspective view of a utility container in accordance with my new design;  
FIG. 2 is an end elevational view thereof, the opposite end being a mirror image;  
FIG. 3 is a front elevational view thereof;  
FIG. 4 is a rear elevational view thereof;  
FIG. 5 is a top plan view thereof; and,  
FIG. 6 is a bottom view thereof.



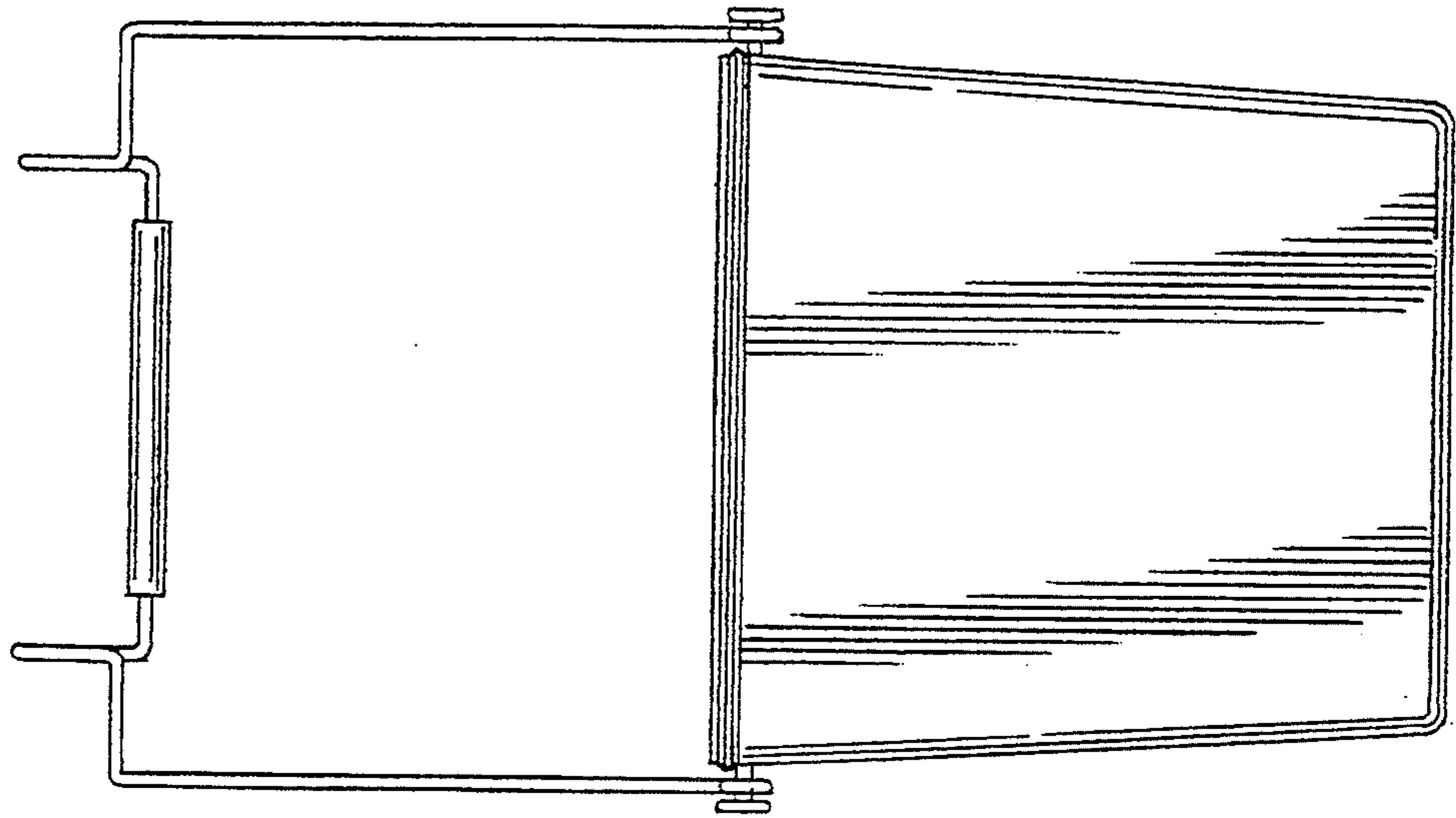
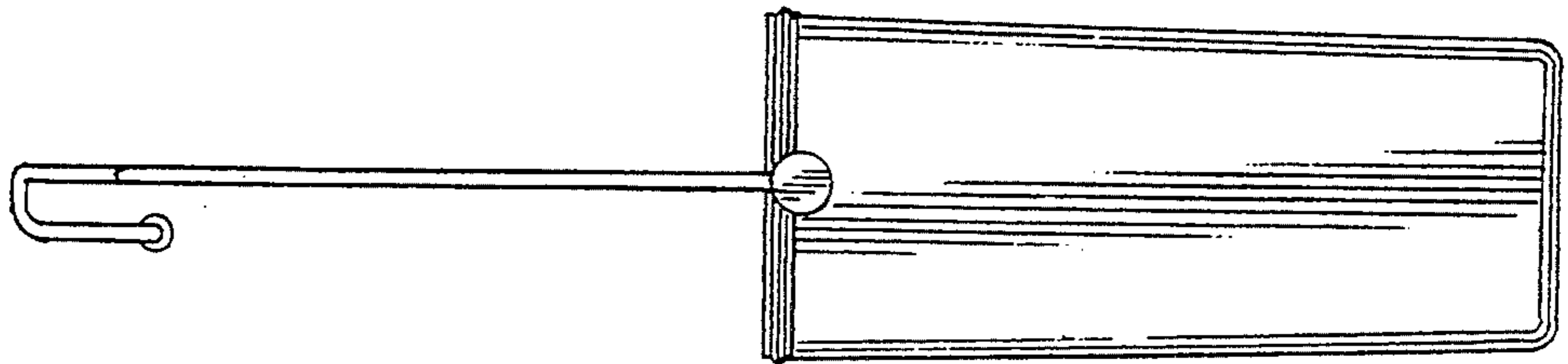
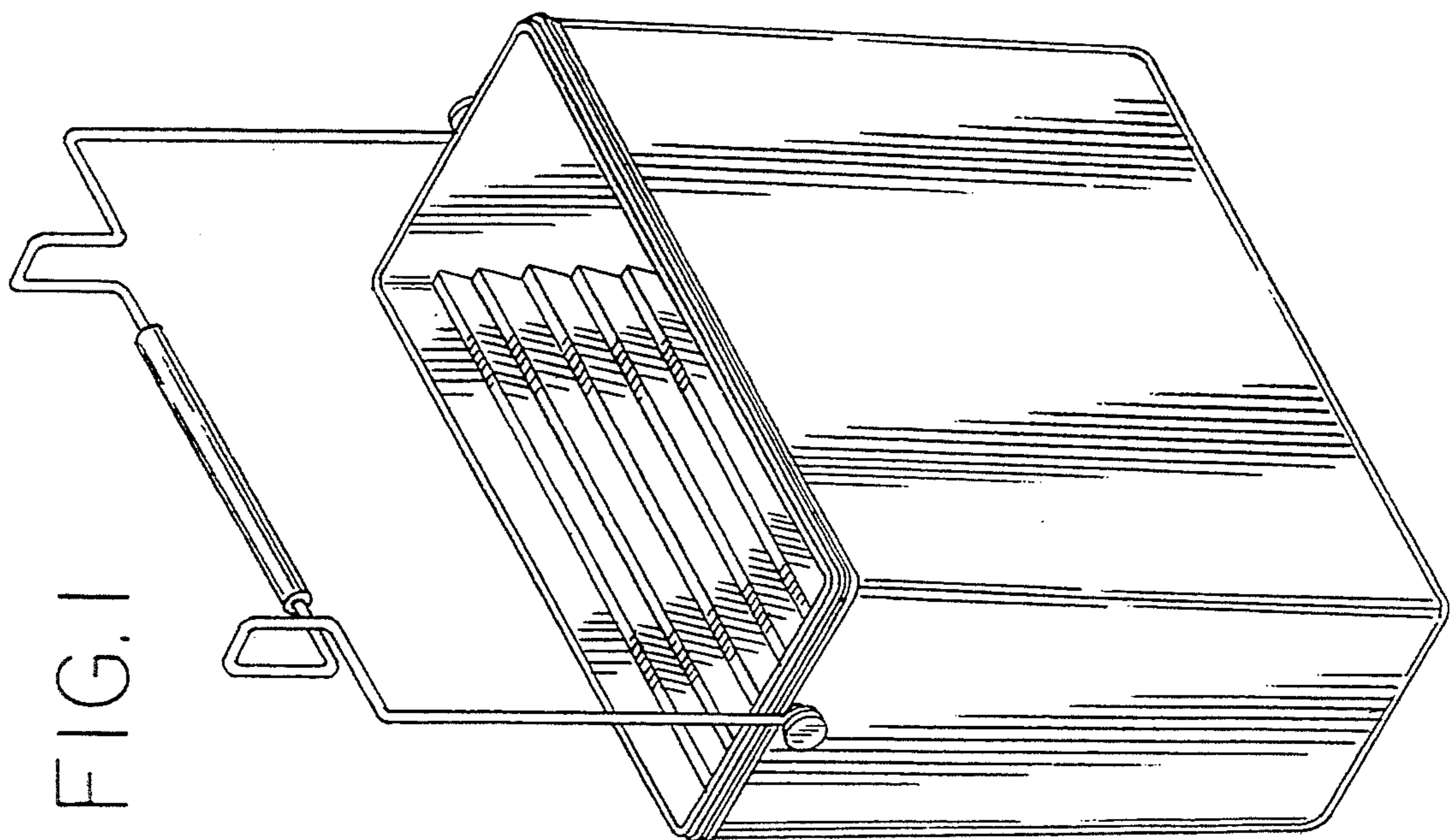


FIG.4

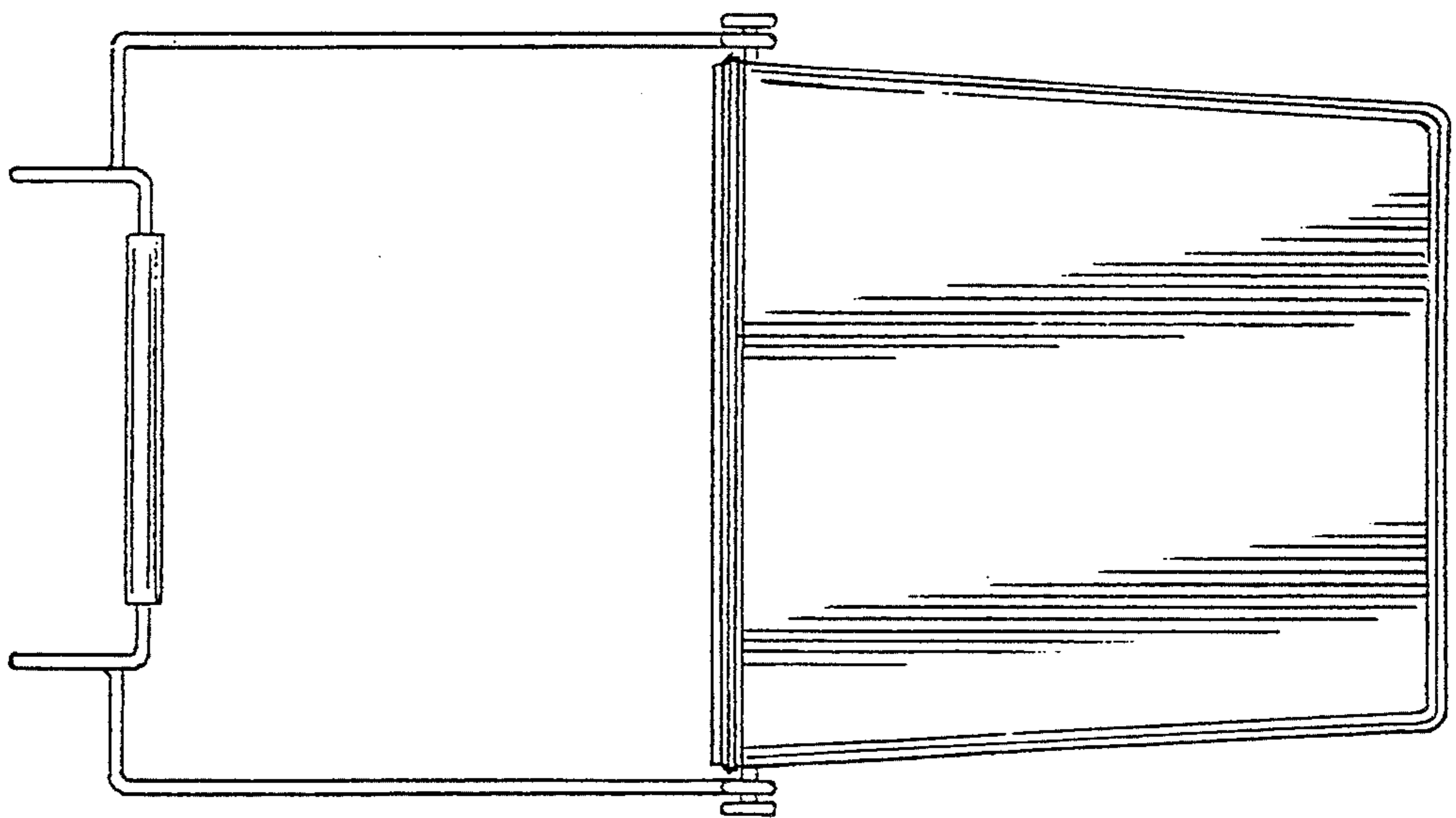


FIG.5

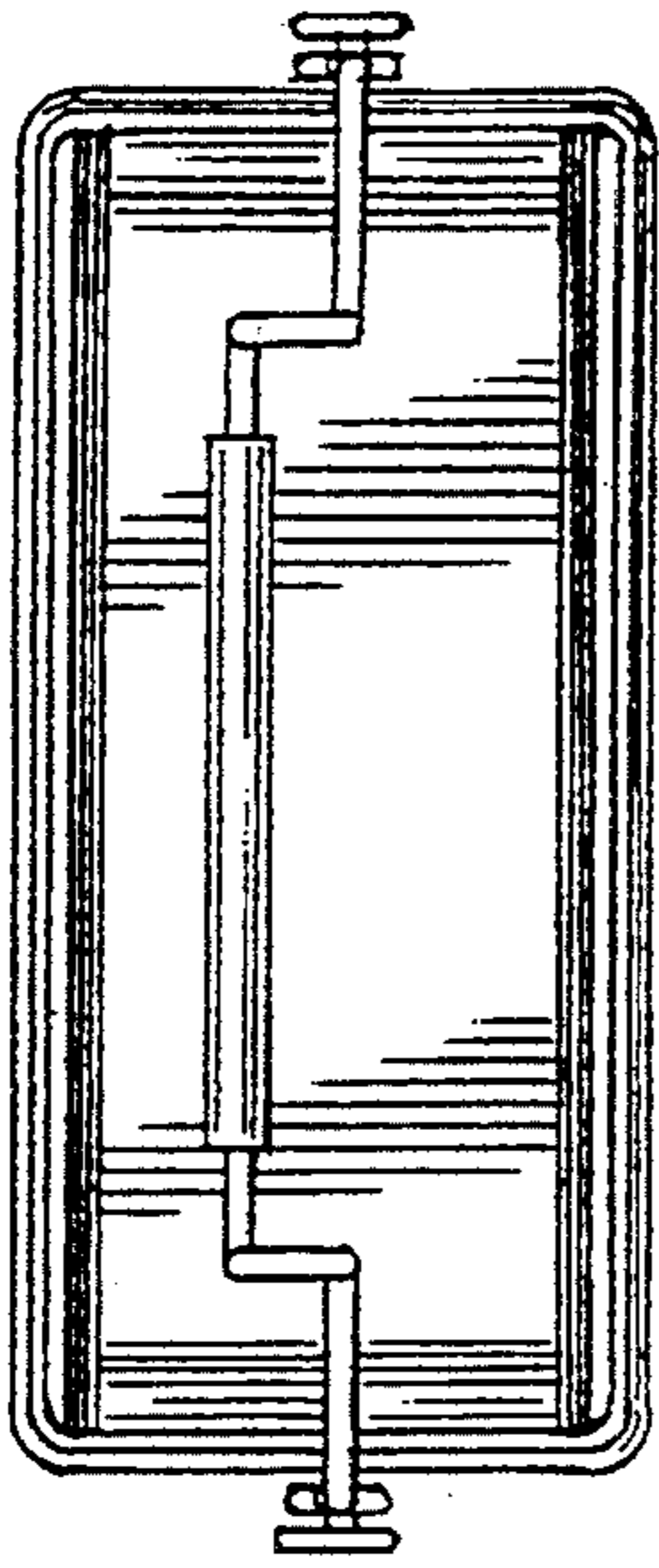


FIG.6

