



US00D361177S

United States Patent [19]

[11] Patent Number: **Des. 361,177**

Hoover

[45] Date of Patent: **** Aug. 8, 1995**

[54] SURFACE CLEANING APPARATUS

[56] References Cited

U.S. PATENT DOCUMENTS

[76] Inventor: **Robert E. Hoover**, 2837 Elsie Ave.,
Toledo, Ohio 43613

5,142,831	9/1992	Nelson	51/424
5,181,348	1/1993	Roemmele et al.	51/429
5,205,084	4/1993	Roberts	51/425
5,231,805	8/1993	Sander	51/425

[**] Term: **14 Years**

Primary Examiner—Ruth McInroy
Attorney, Agent, or Firm—Howard & Howard

[21] Appl. No.: **19,401**

[57] CLAIM

[22] Filed: **Mar. 2, 1994**

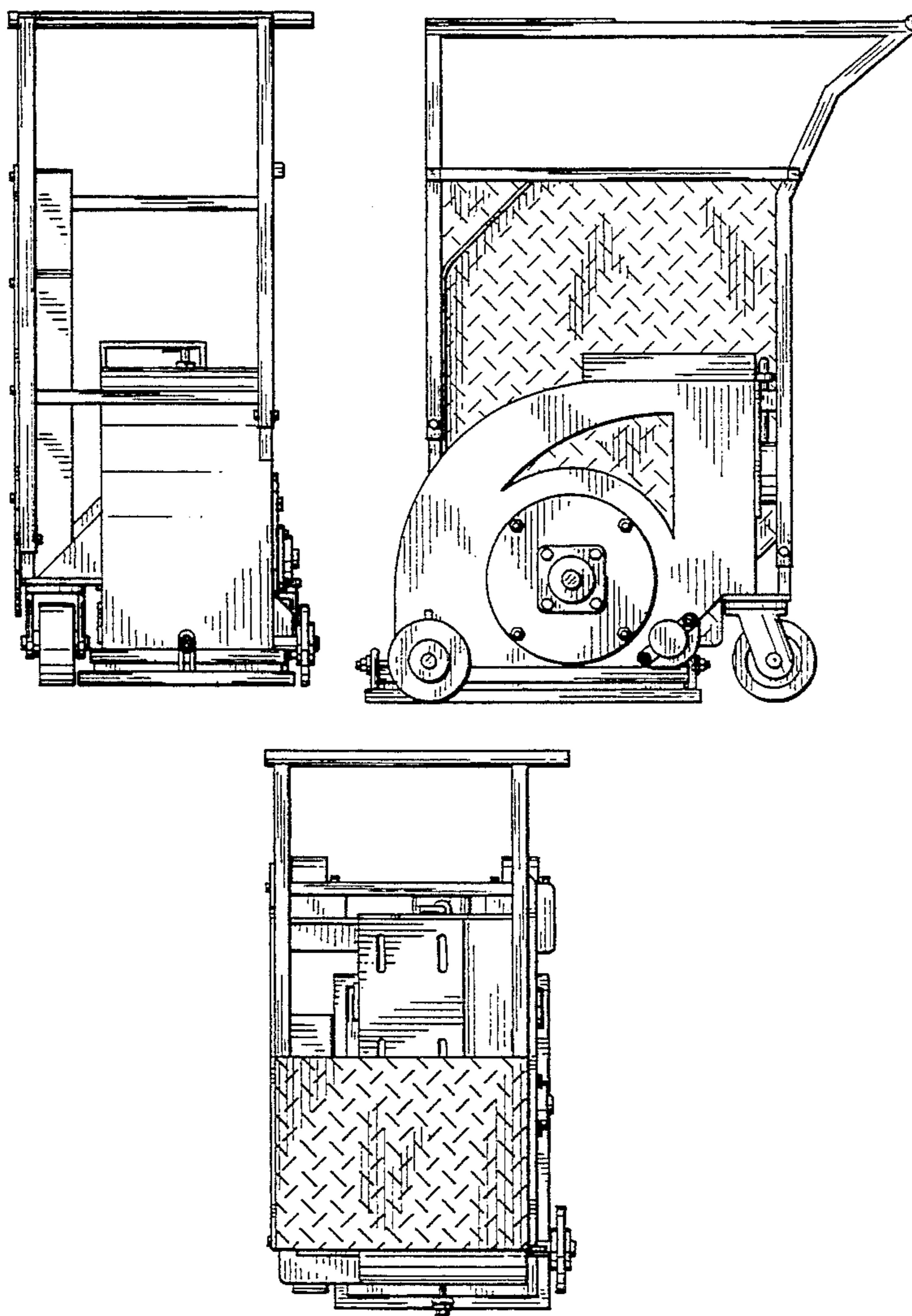
The ornamental design for a surface cleaning apparatus,
as shown and described.

DESCRIPTION

Related U.S. Application Data

- [62] Division of Ser. No. 517, Oct. 16, 1992.
- [52] U.S. Cl. **D32/15**
- [58] Field of Search **D32/1, 15-16,**
D32/21, 23, 25, 31; 51/423, 424, 425, 429

FIG. 1 is a front elevational view of a surface cleaning apparatus showing my new design;
 FIG. 2 is a right side elevational view thereof;
 FIG. 3 is a rear elevational view thereof;
 FIG. 4 is a left side elevational view thereof; and,
 FIG. 5 is a top plan view thereof.



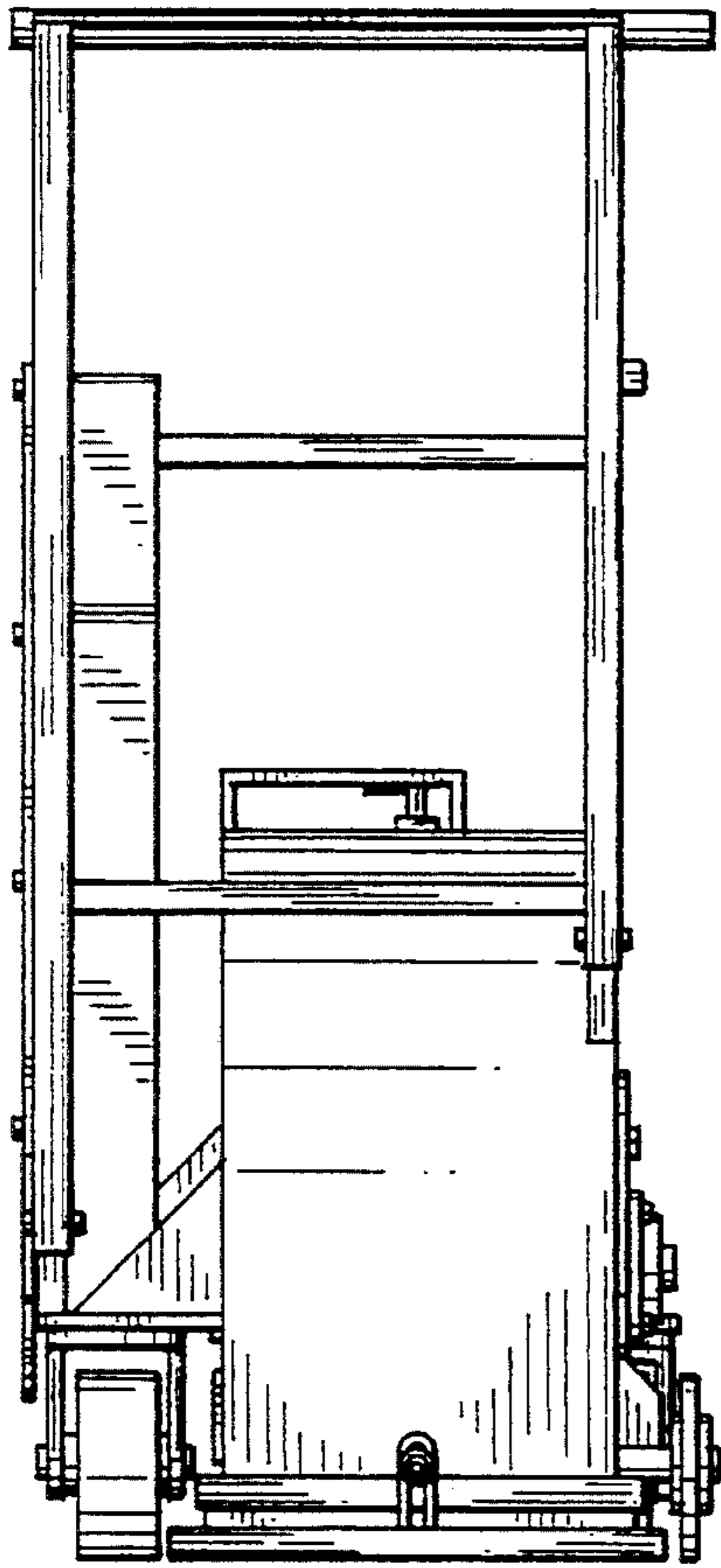
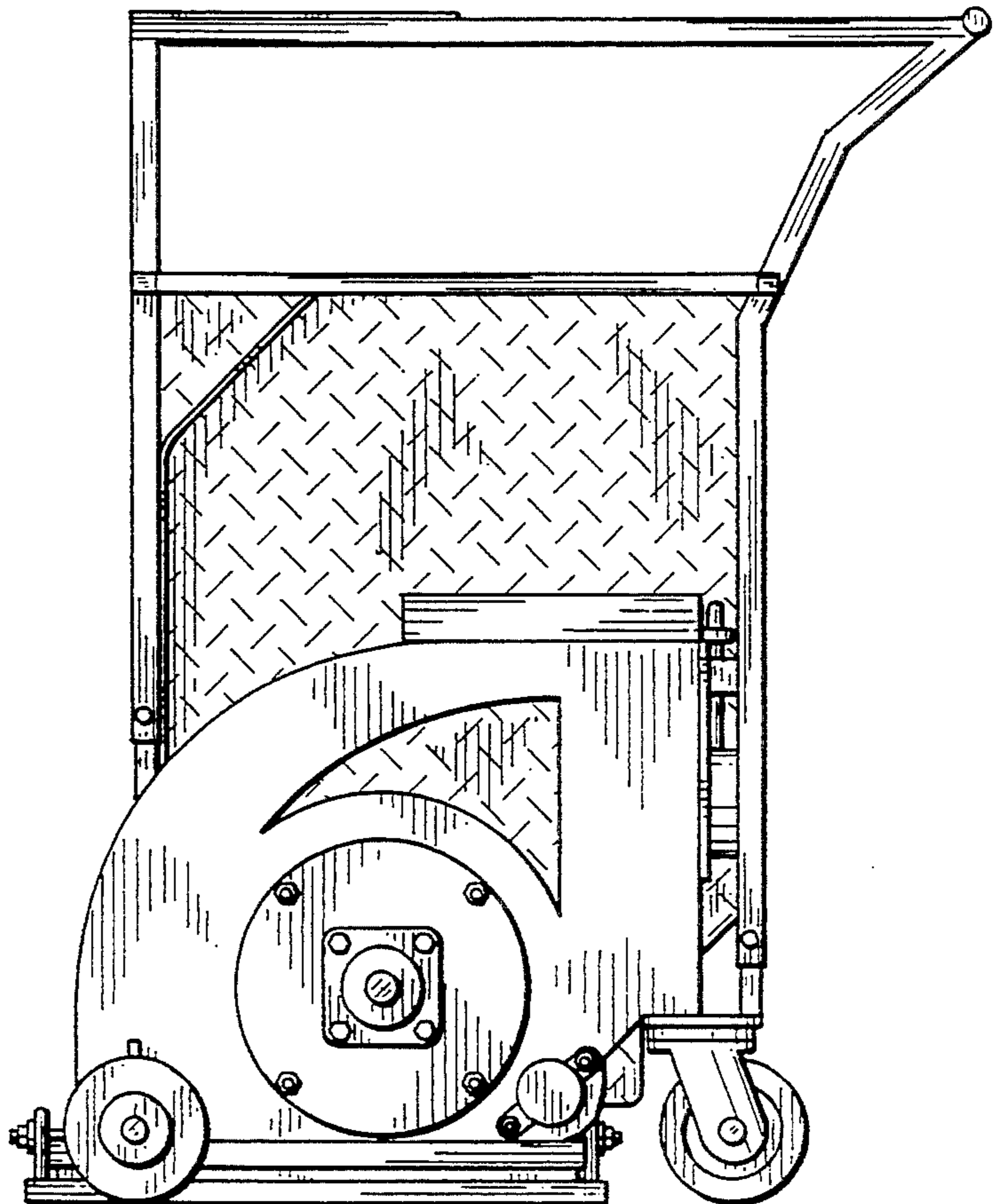


FIG. 1

FIG. 2



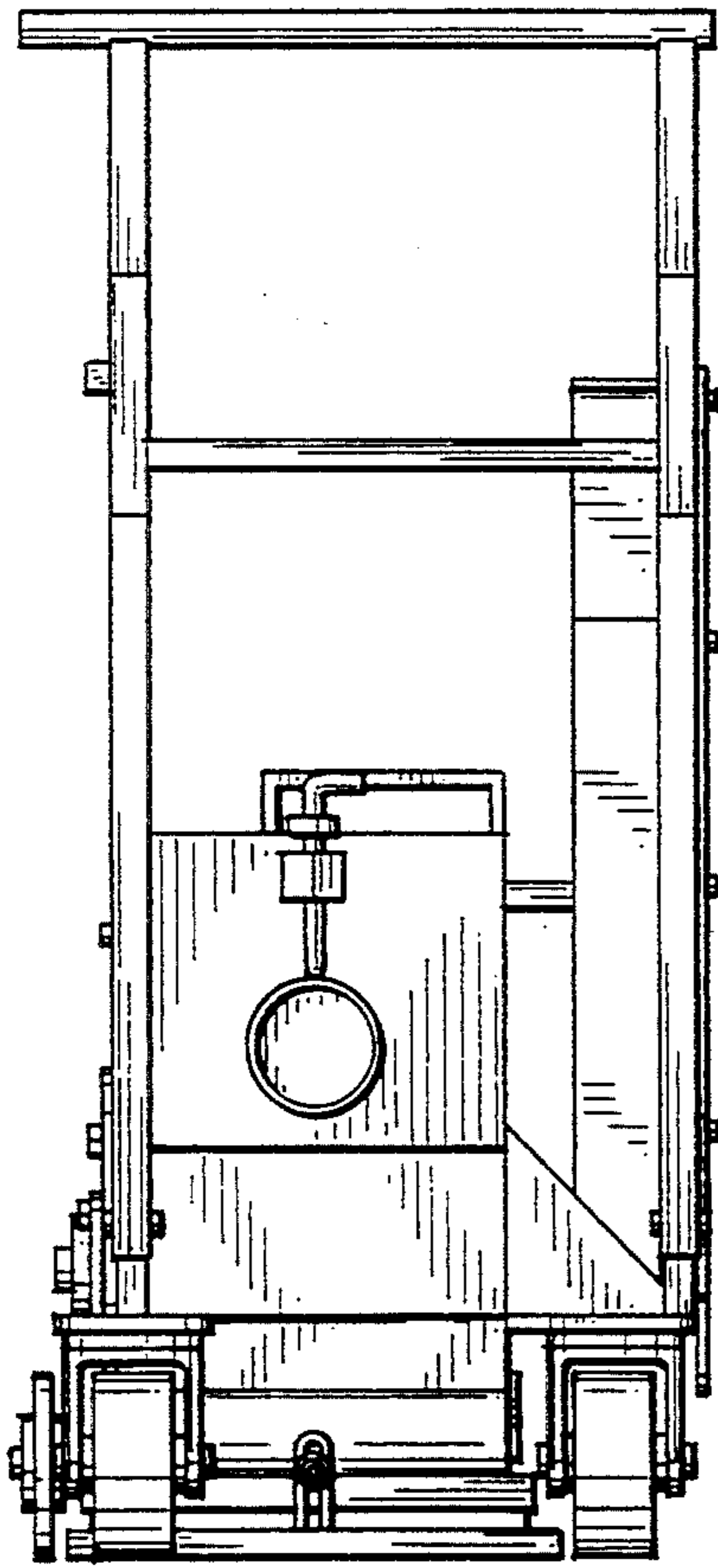


FIG. 3

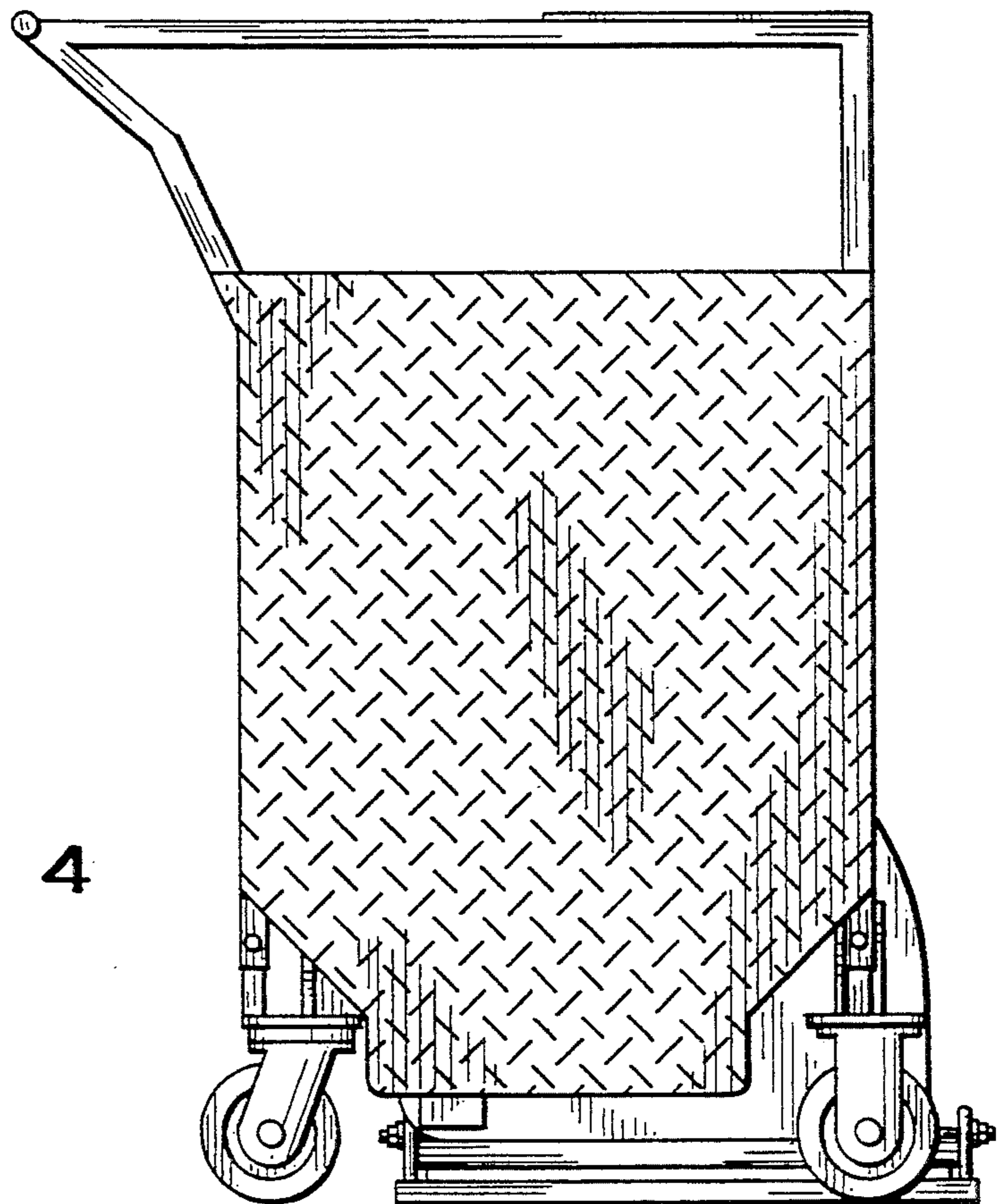


FIG. 4

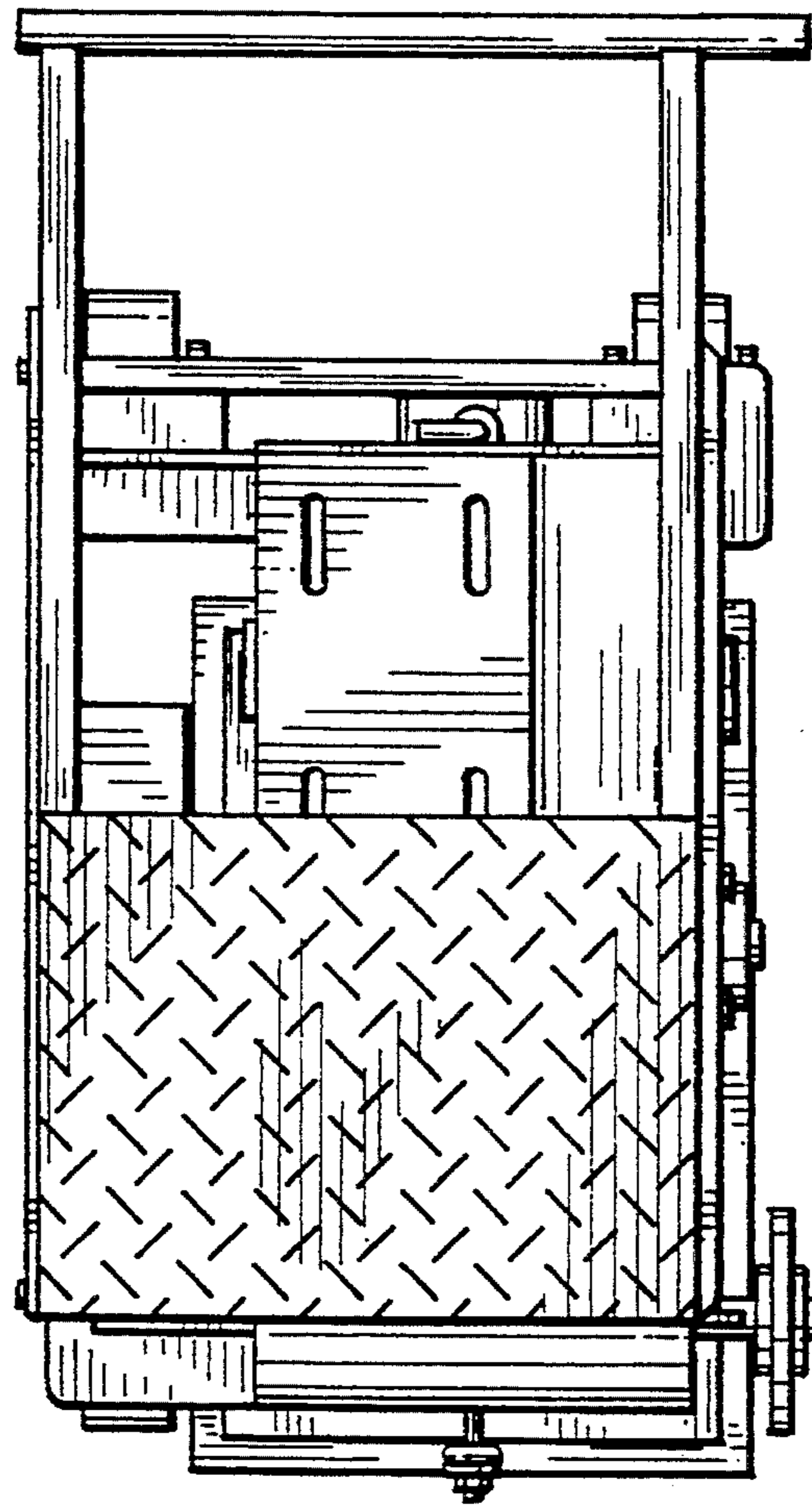


FIG. 5