



US00D361173S

# United States Patent [19]

[11] Patent Number: Des. 361,173

Bownes et al.

[45] Date of Patent: \*\* Aug. 8, 1995

## [54] BIRD FEEDER

[76] Inventors: Donna Bownes; Cameron Kashani,  
both of 3308 Leritz La., Edgewater,  
Md. 21037

[\*\*] Term: 14 Years

[21] Appl. No.: 24,805

[22] Filed: Jun. 21, 1994

[52] U.S. Cl. .... D30/125

[58] Field of Search ..... D30/110-111,  
D30/124-128; 119/23, 57.8-57.9, 52.2, 52.3,  
51.04, 51.01, 57.91, 77; D25/7; D21/114, 119

## [56] References Cited

### U.S. PATENT DOCUMENTS

D. 75,294	5/1928	Smith	.....	D25/7
D. 191,915	12/1961	Dunbar	.....	D21/119
D. 323,355	1/1992	Dalifka	.....	D25/7
D. 324,436	3/1992	Embree	.....	D30/127
D. 336,818	6/1993	Ancona et al.	.....	D30/124
D. 352,575	11/1994	Bransky et al.	.....	D30/127

Primary Examiner—Cathy Anne MacCormac  
Attorney, Agent, or Firm—Lowe, Price, LeBlanc &  
Becker

## [57] CLAIM

The ornamental design for a bird feeder, as shown and described.

## DESCRIPTION

FIG. 1 is a right side perspective view of a first embodiment of a bird feeder in accordance with our new design;  
 FIG. 2 is a top view of the bird feeder of FIG. 1;  
 FIG. 3 is a right side elevational view of the bird feeder of FIG. 1, the left side being a mirror image of the right;  
 FIG. 4 is a front elevational view of the bird feeder to FIG. 1, the rear being a mirror image of the front;  
 FIG. 5 is a bottom view of the bird feeder of FIG. 1;  
 FIG. 6 is a right side perspective view of a second embodiment of a bird feeder in accordance with our new design;  
 FIG. 7 is a top view of the bird feeder of FIG. 6;  
 FIG. 8 is a right side elevational view of the bird feeder of FIG. 6;  
 FIG. 9 is a left side elevational view of the bird feeder of FIG. 6;  
 FIG. 10 is a front elevational view of the bird feeder of FIG. 6, the rear being a mirror image of the front; and  
 FIG. 11 is a bottom view of the bird feeder of FIG. 6.  
 The broken line showings of the eye-bolt at the top, the hinge, and the latch mechanism in FIGS. 4 and 10 are all for illustrative purposes only and form no part of the claimed design.

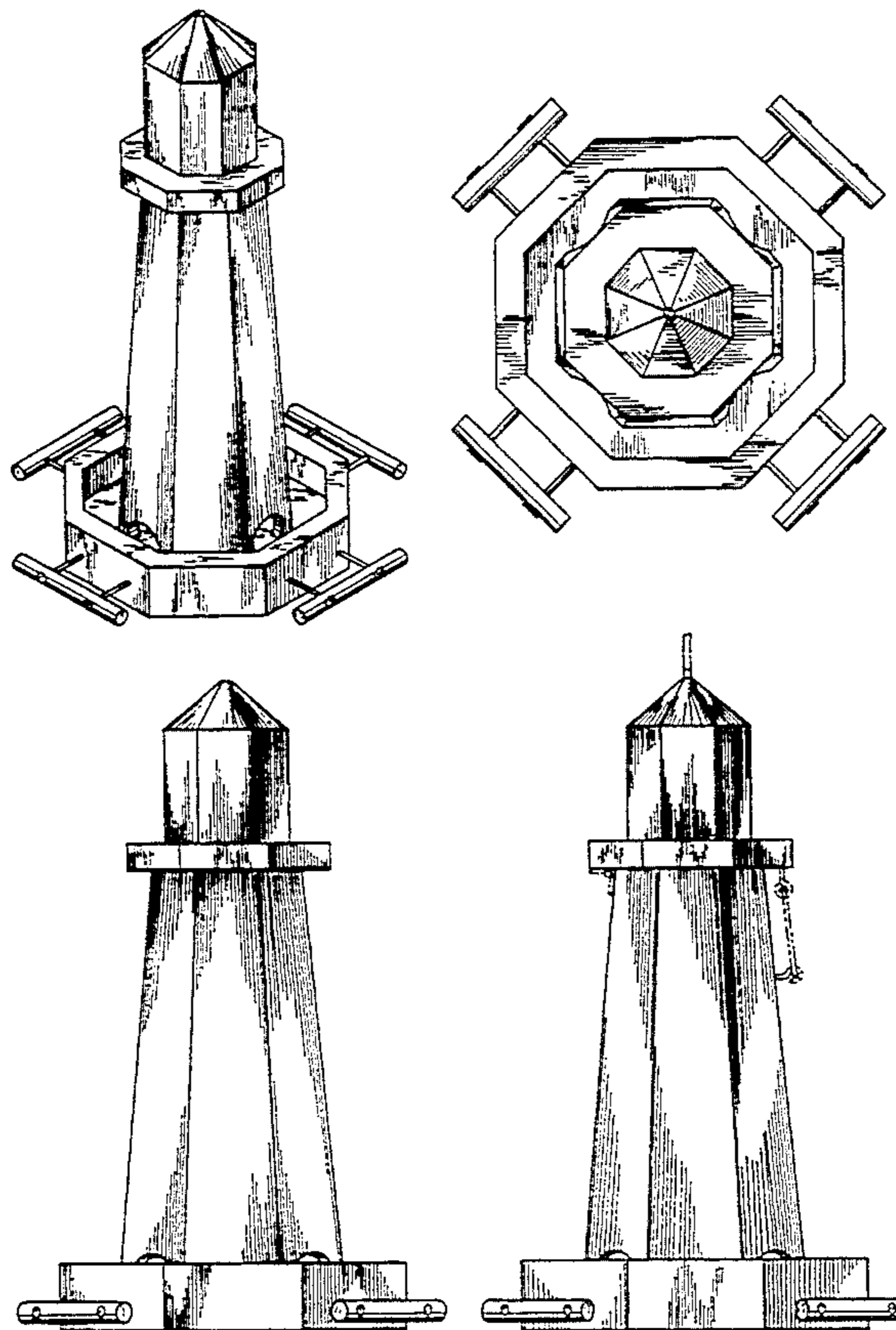


FIG. 1

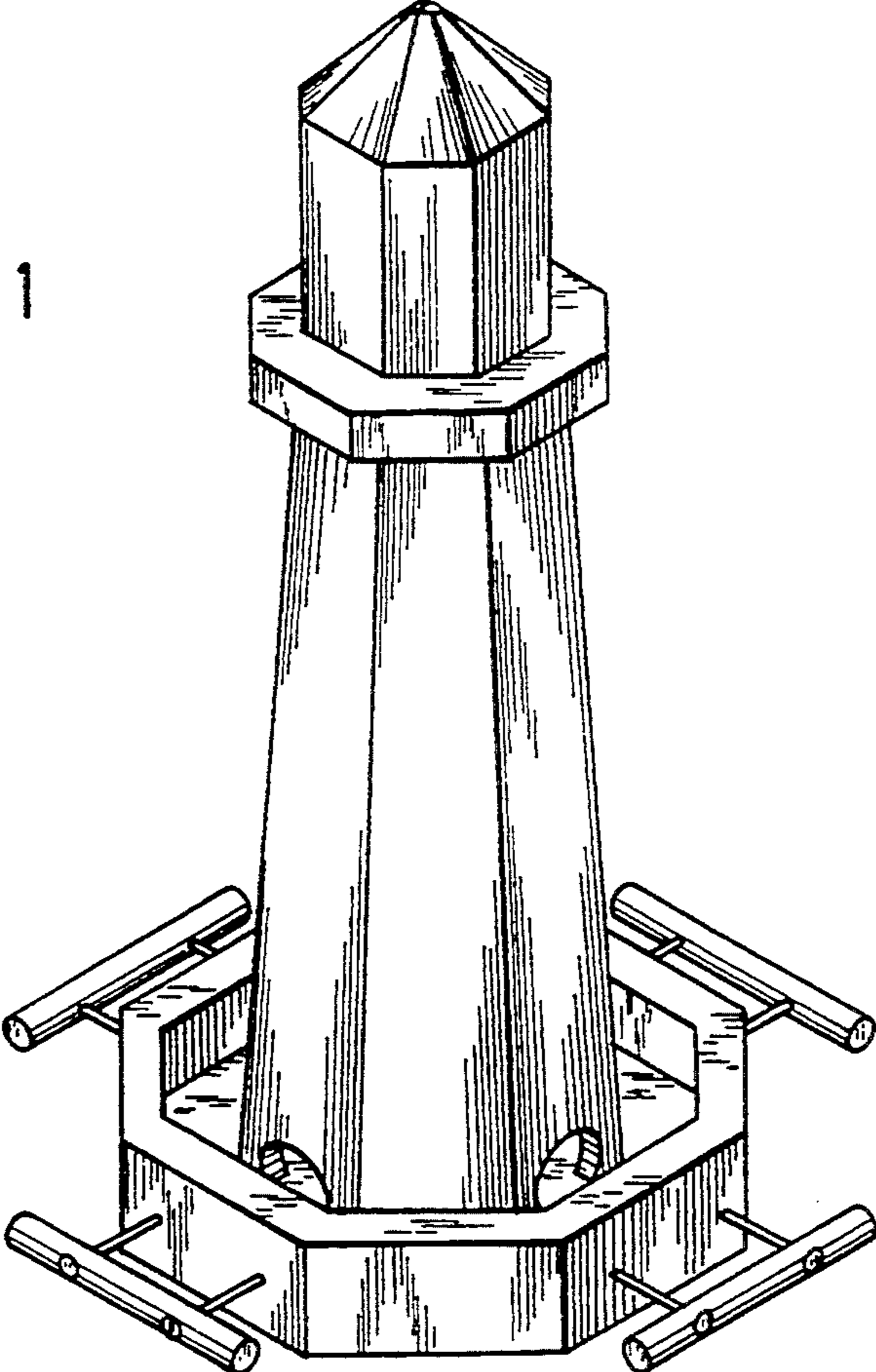


FIG. 2

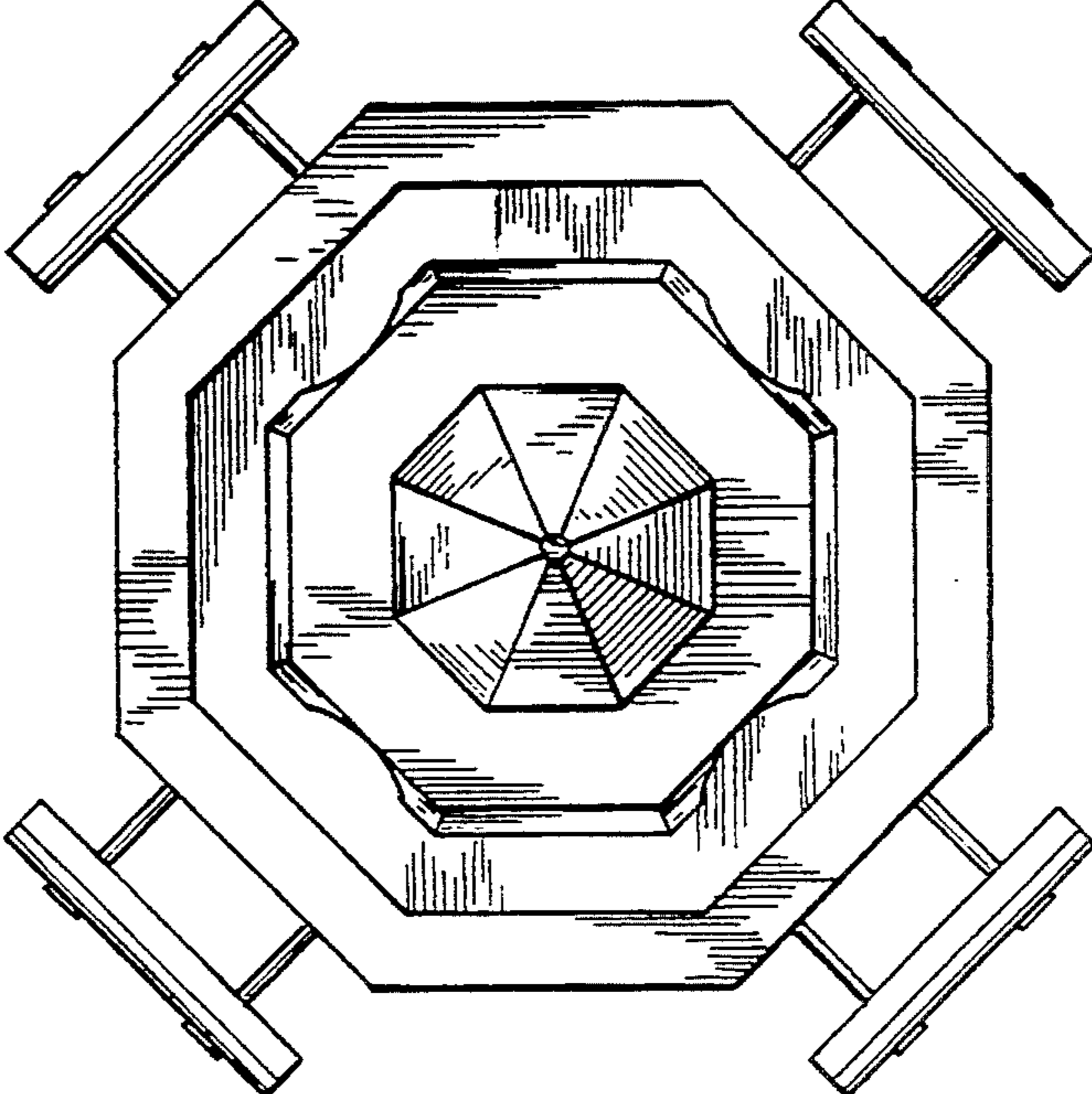


FIG. 3

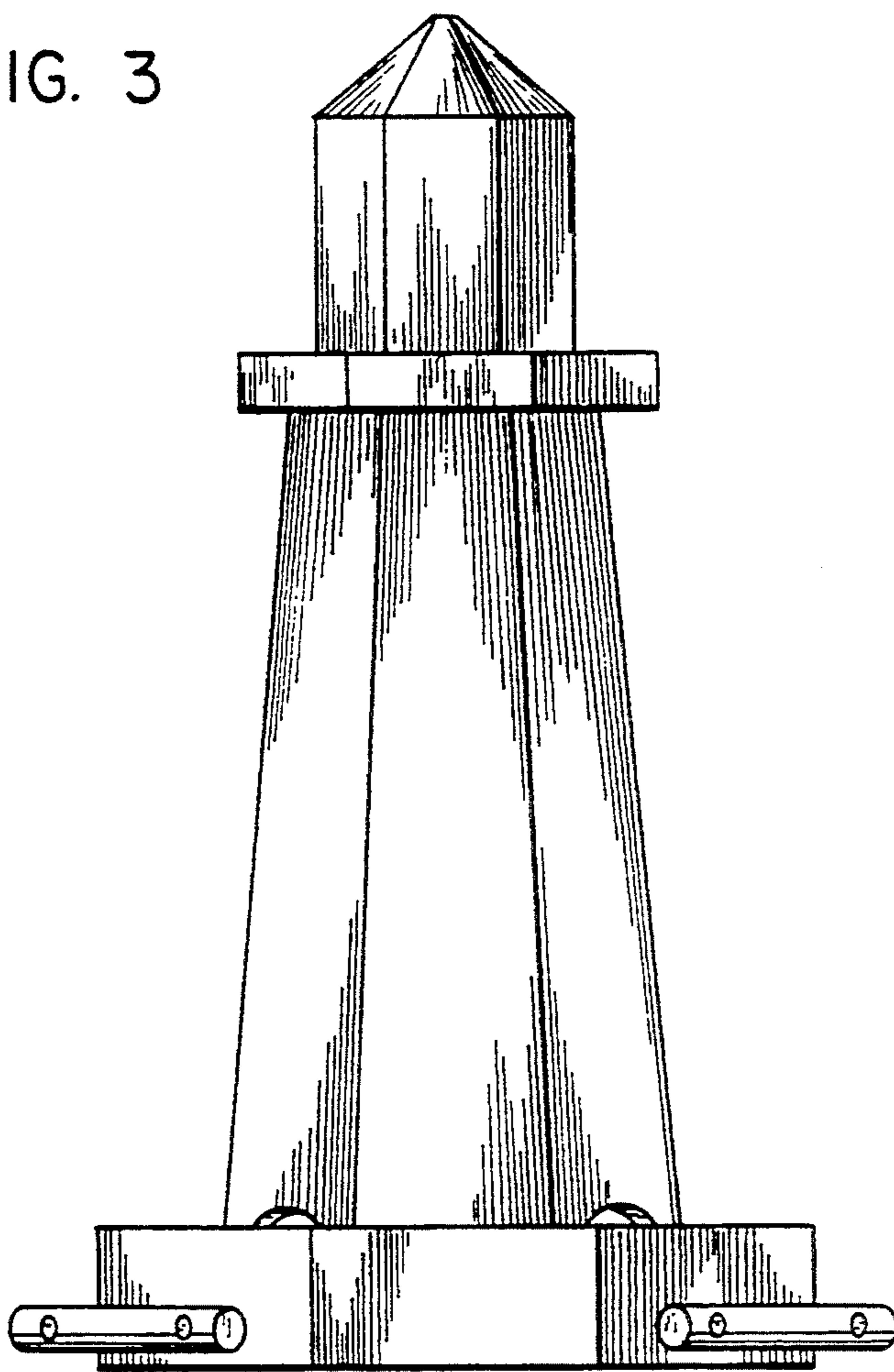


FIG. 5

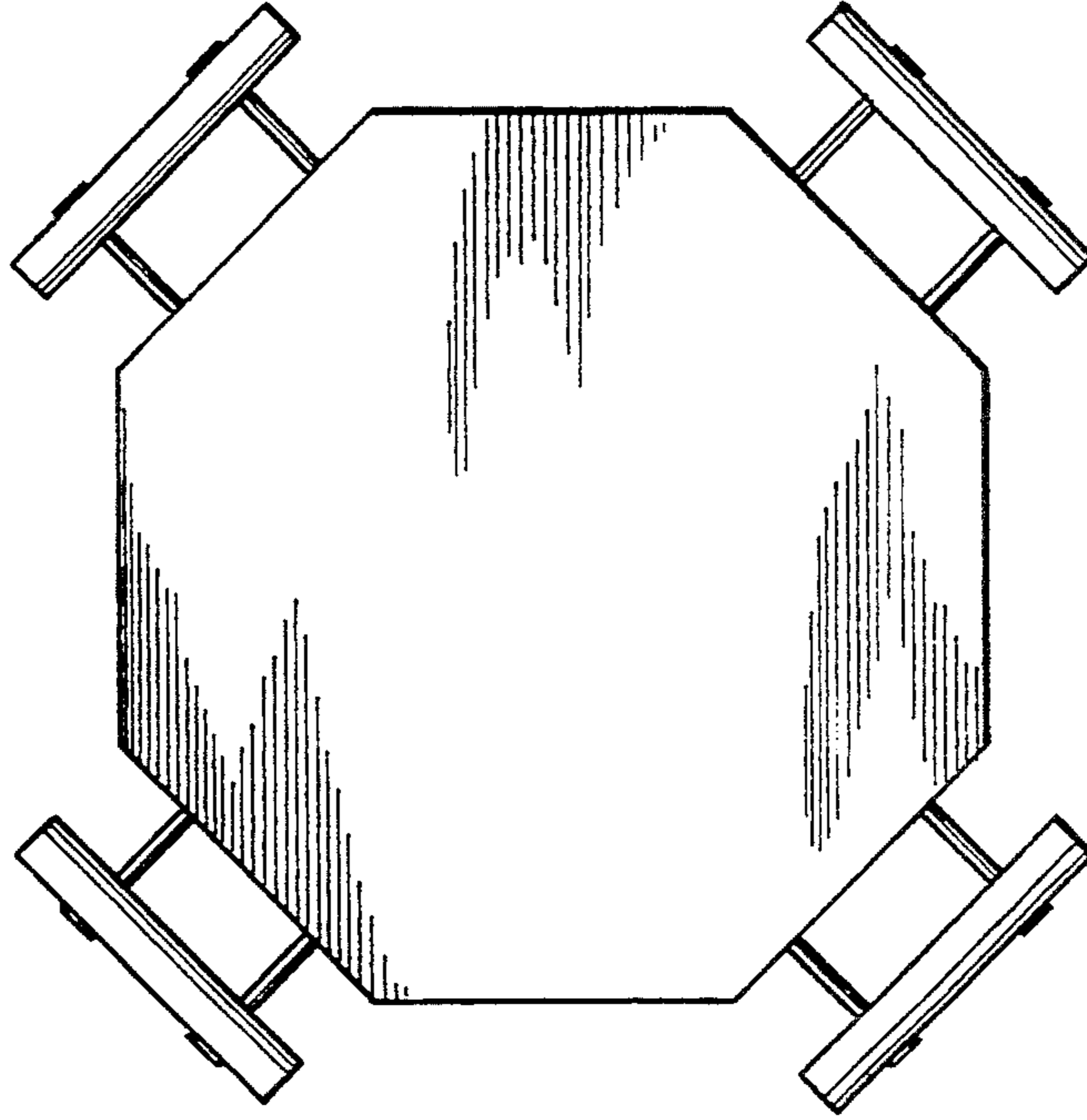


FIG. 4

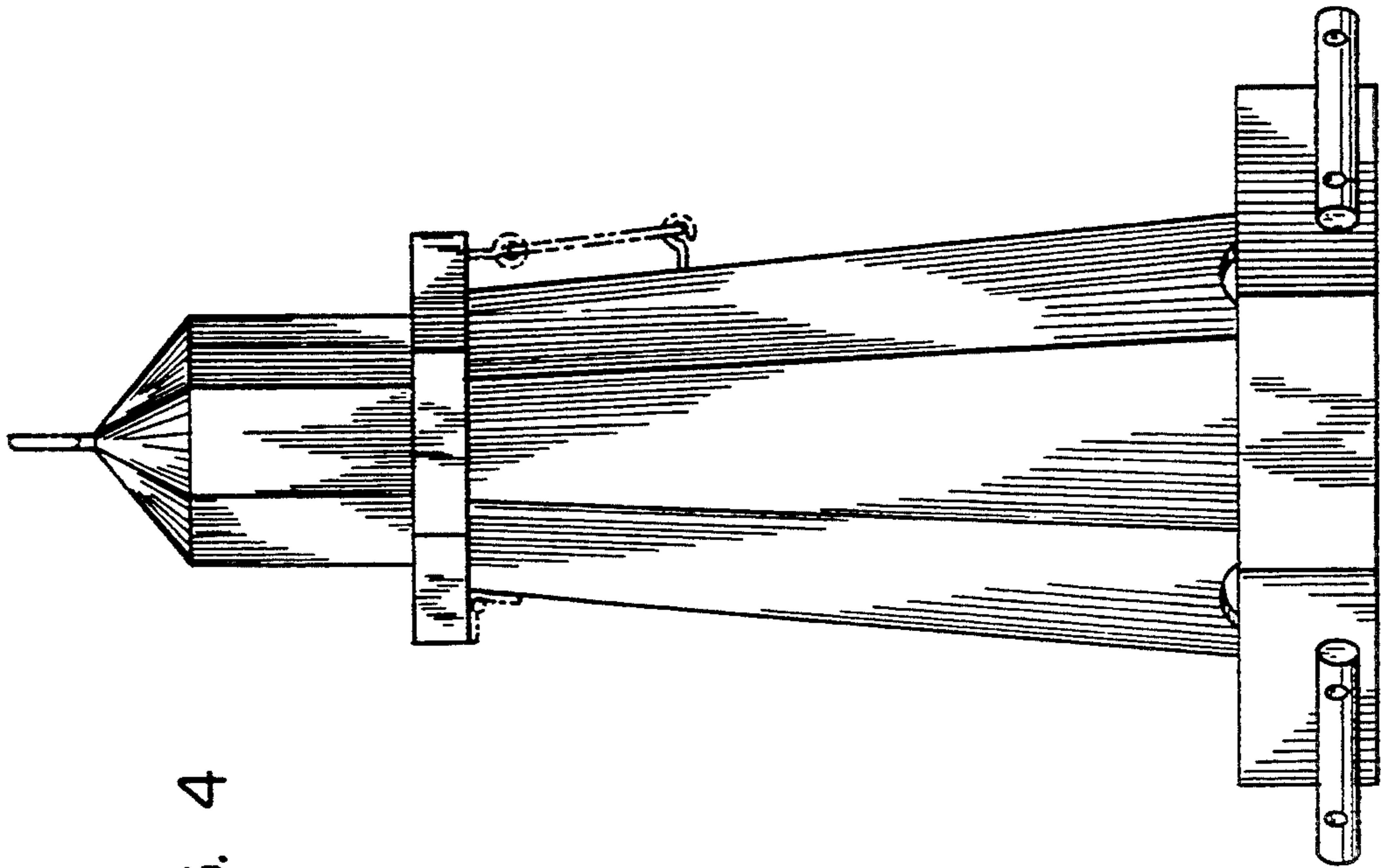


FIG. 6

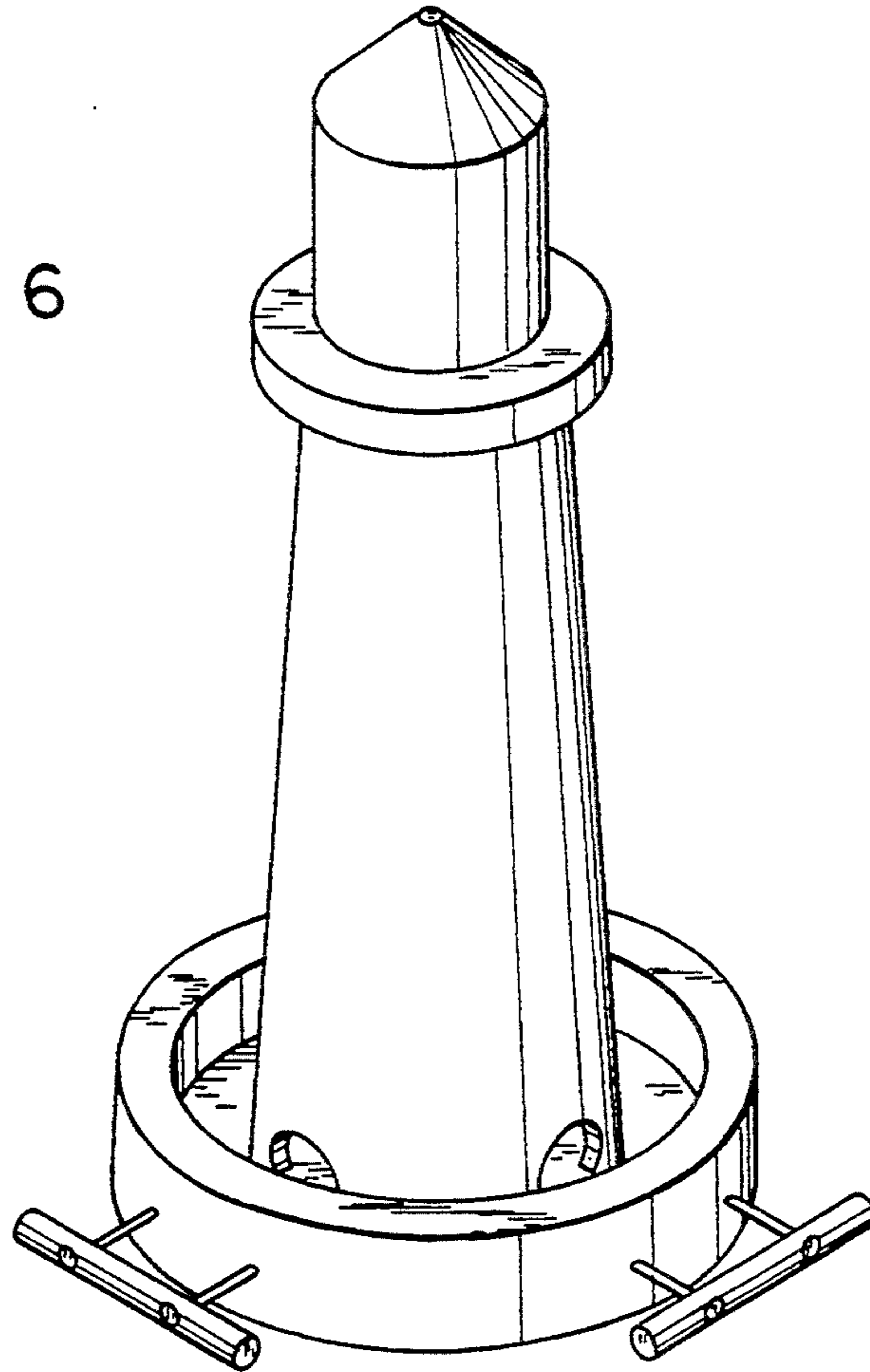
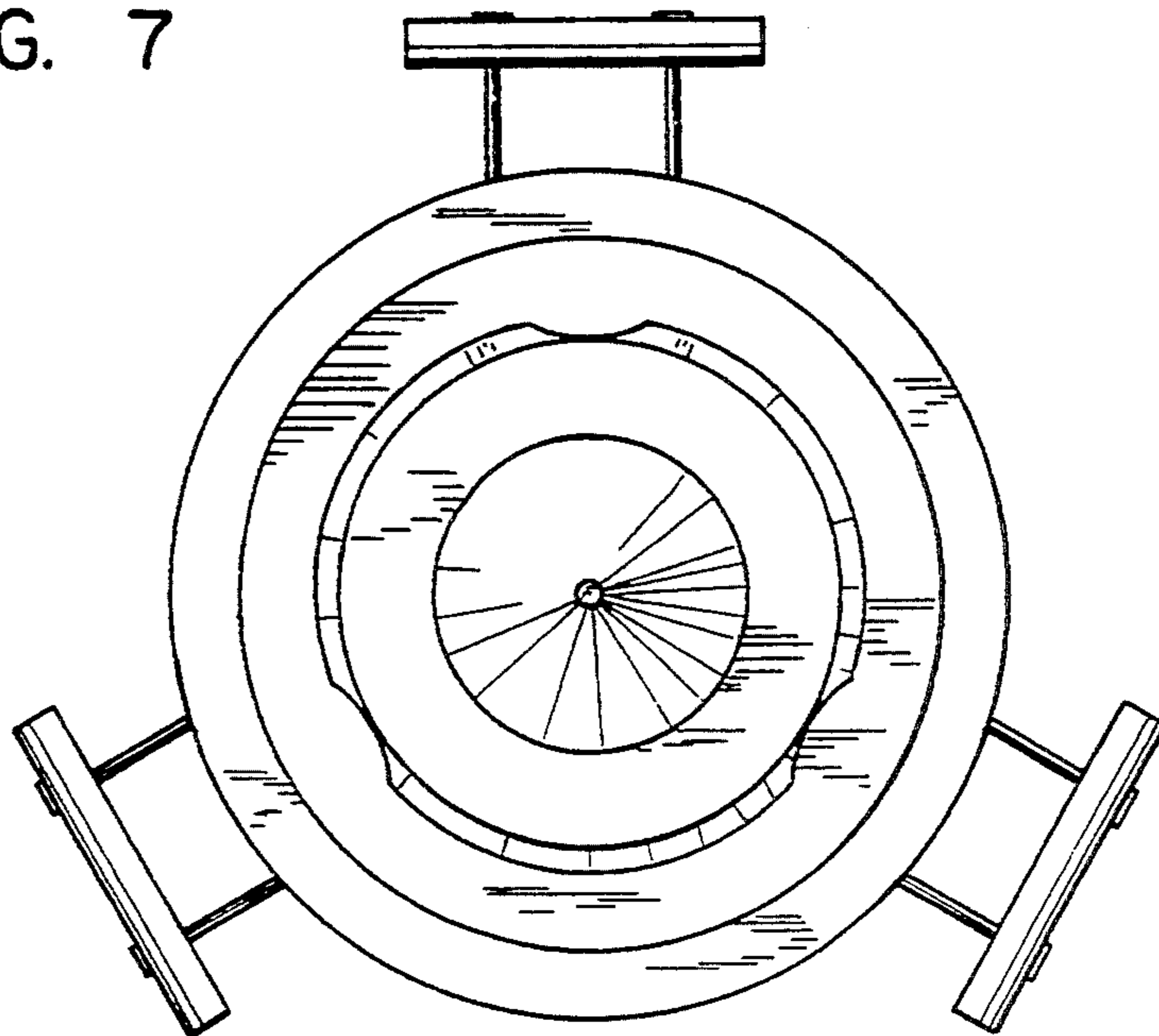


FIG. 7



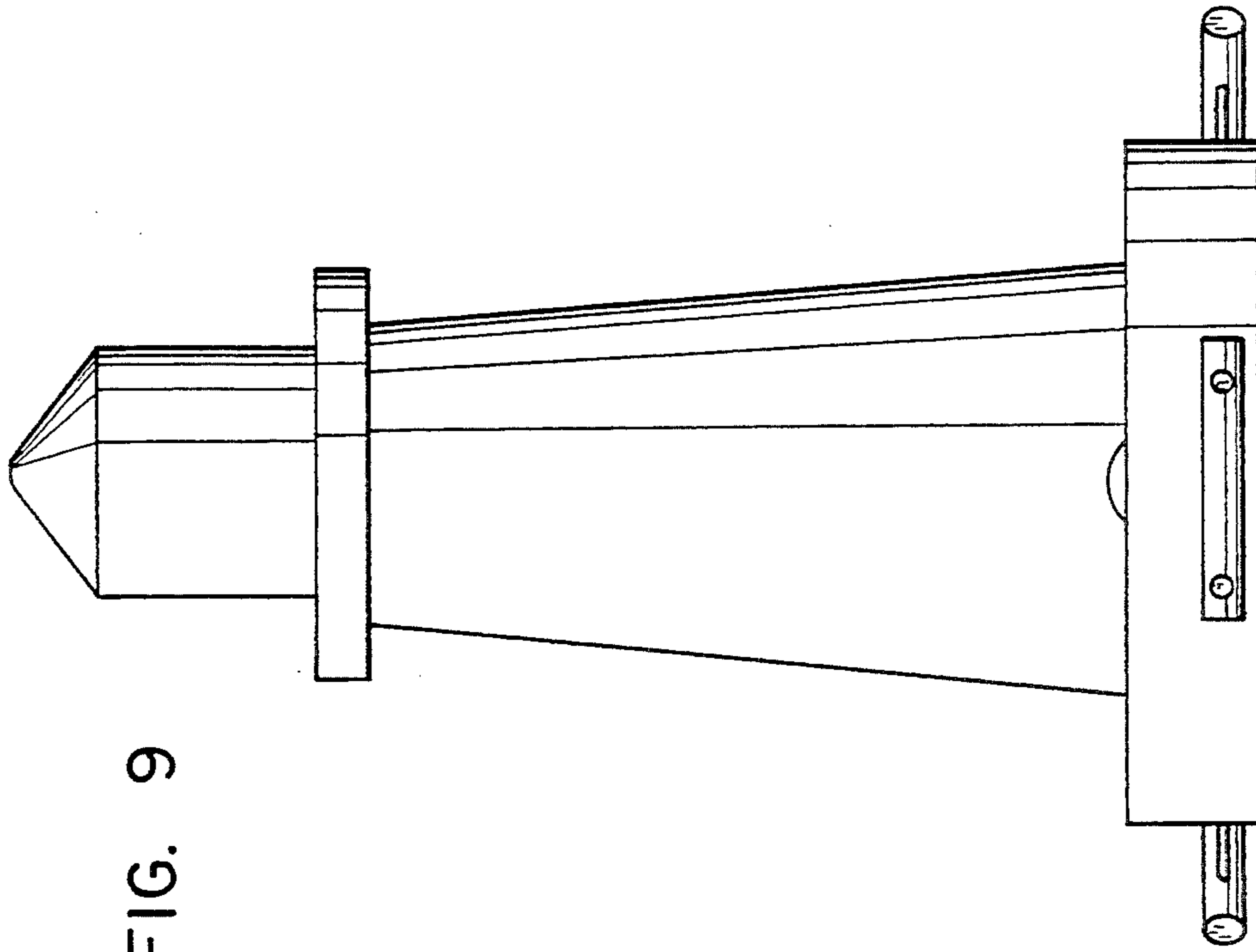


FIG. 9

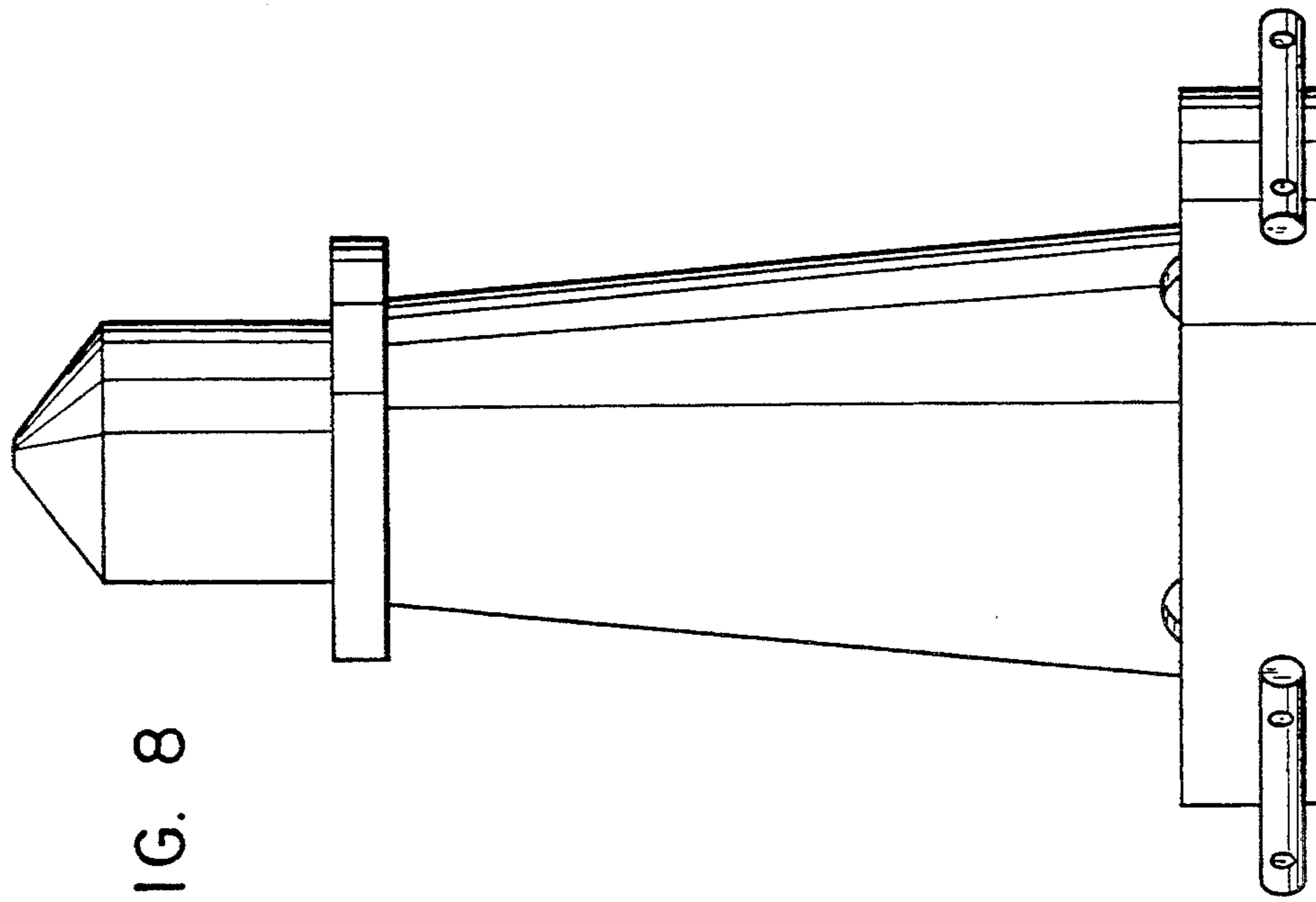


FIG. 8

FIG. II

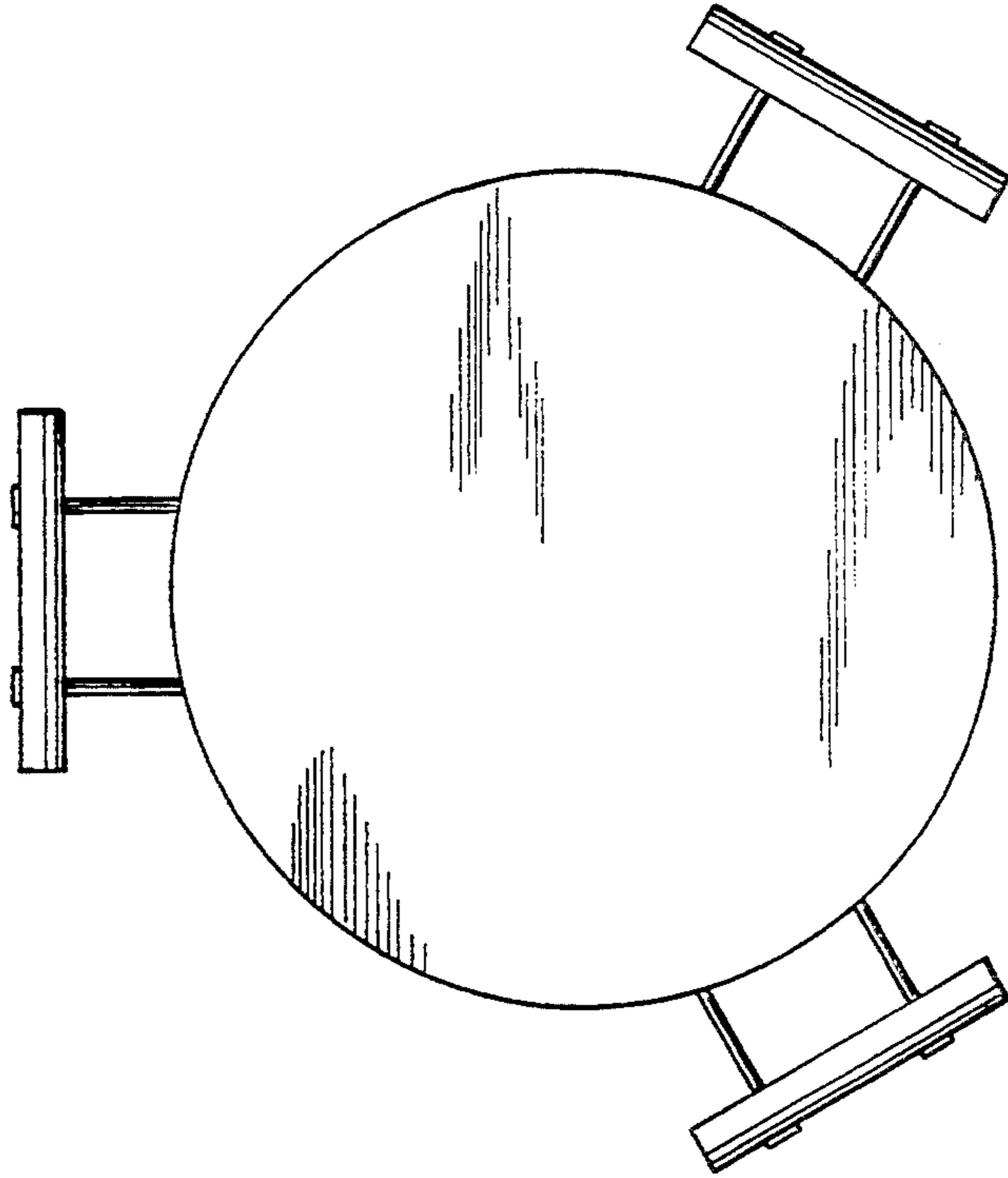


FIG. 10

