



US00D361172S

United States Patent [19] Gates

[11] Patent Number: **Des. 361,172**

[45] Date of Patent: **** Aug. 8, 1995**

[54] **ACTUATED FEEDER FOR BIRDS AND SMALL ANIMALS**

[75] Inventor: **Christopher Gates, Manlius, N.Y.**

[73] Assignee: **Pratique, Inc., Chittenango, N.Y.**

[**] Term: **14 Years**

[21] Appl. No.: **12,716**

[22] Filed: **Aug. 8, 1993**

[52] U.S. Cl. **D30/124**

[58] Field of Search 119/57.8, 57.9, 57.91,
119/52.2, 52.3, 77, 6.5, 51.5, 23, 51.03;
D30/124-128

[56] **References Cited**

U.S. PATENT DOCUMENTS

D. 333,545	2/1993	Rentz	D30/124
4,558,662	12/1985	Peterson	119/77
4,628,866	12/1986	Israel et al.	119/51.5
5,076,213	12/1991	Taylor	119/23
5,165,364	11/1992	Horkey	119/57.8
5,301,634	4/1994	Ho	119/51.03

FOREIGN PATENT DOCUMENTS

600335	2/1926	France	119/77
843894	7/1981	U.S.S.R.	119/6.5

OTHER PUBLICATIONS

House Beautiful; Sep. 1960; p. 97; Trip-It Automatic Bird Feeder.

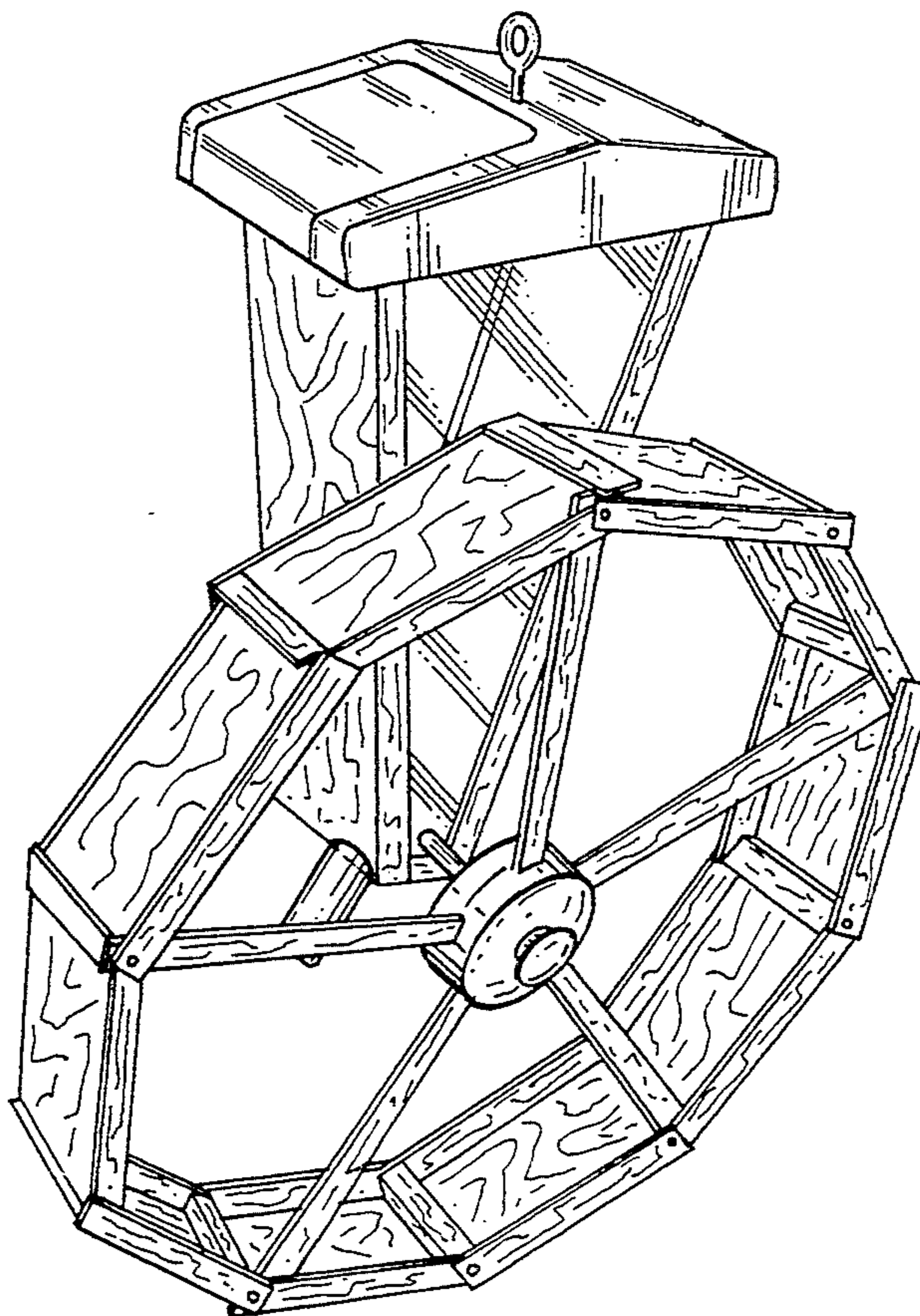
Primary Examiner—Cathy Anne MacCormac
Attorney, Agent, or Firm—Meltzer, Lippe, Goldstein

[57] **CLAIM**

The ornamental design for a actuated feeder for birds and small animals, as shown and described.

DESCRIPTION

FIG. 1 is a perspective view of the actuated feeder for birds and small animals;
FIG. 2 is a right side elevation view thereof;
FIG. 3 is a side elevation view thereof;
FIG. 4 is a front elevation view thereof;
FIG. 5 is a rear elevation view thereof;
FIG. 6 is a top plan view thereof;
FIG. 7 is a bottom plan view thereof; and,
FIG. 8 is a top, rear, right perspective view thereof.
The broken lines in FIG. 1 are for purposes of illustration only and form no part of the claimed design.



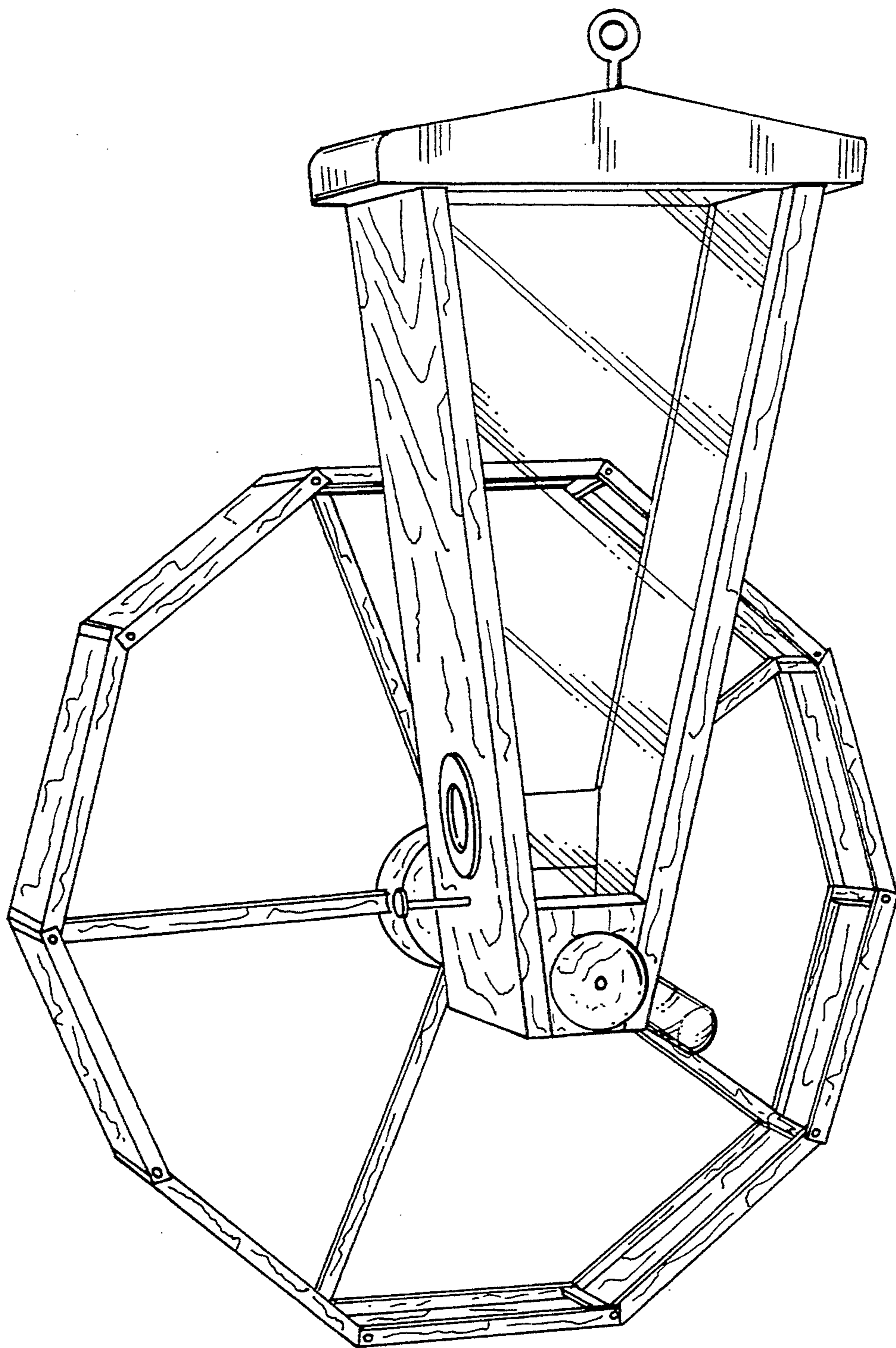


FIG. 1

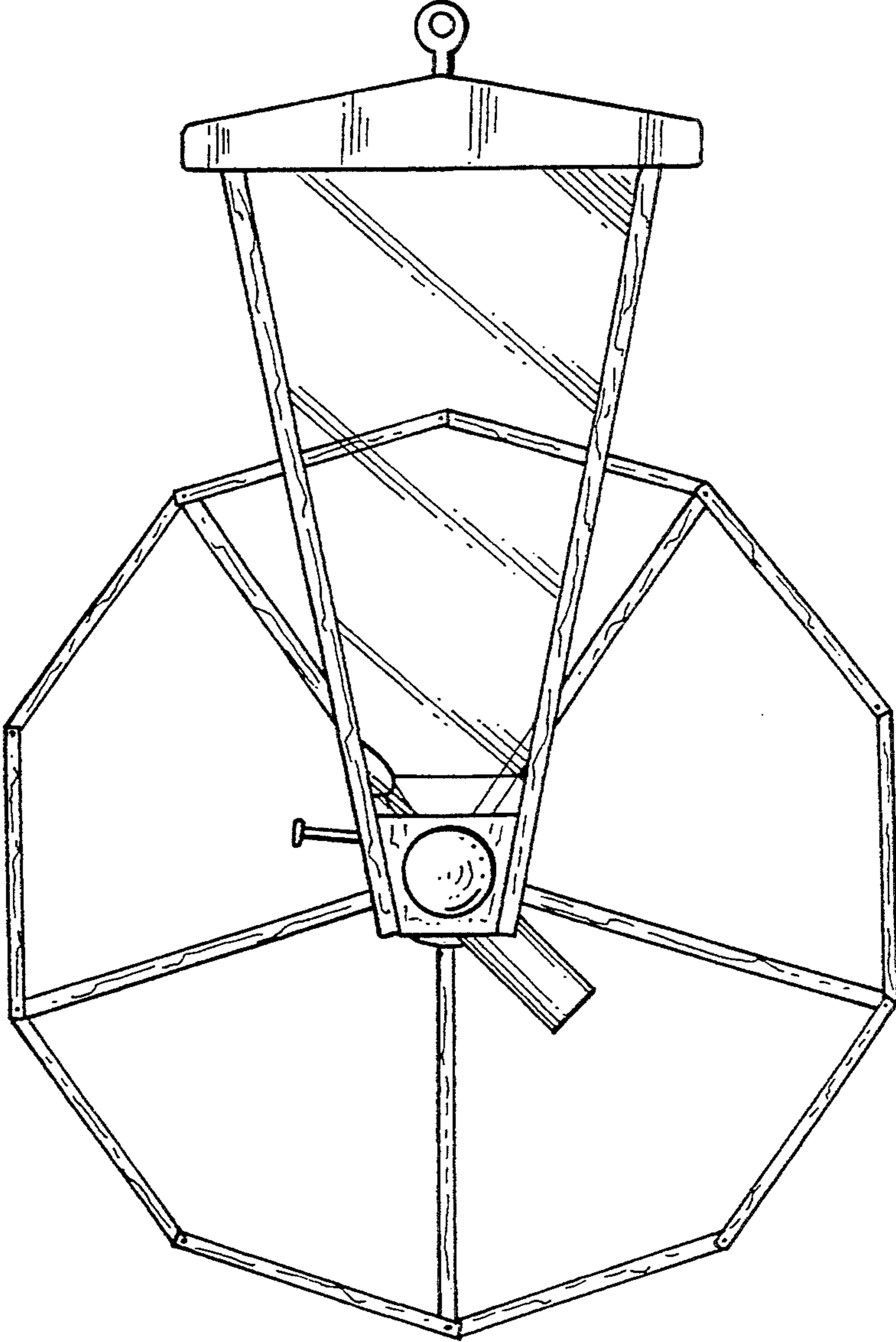


FIG. 2

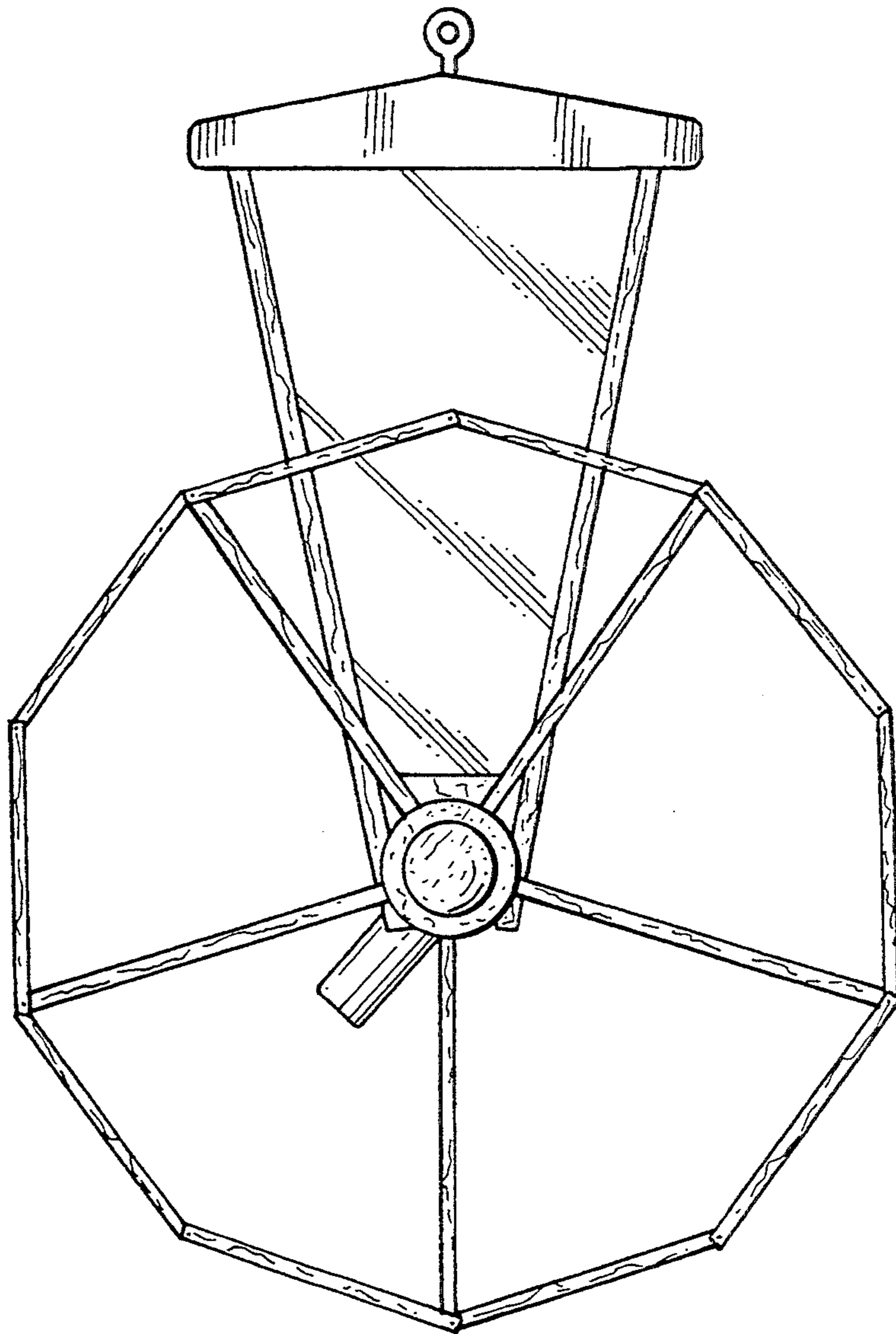


FIG. 3

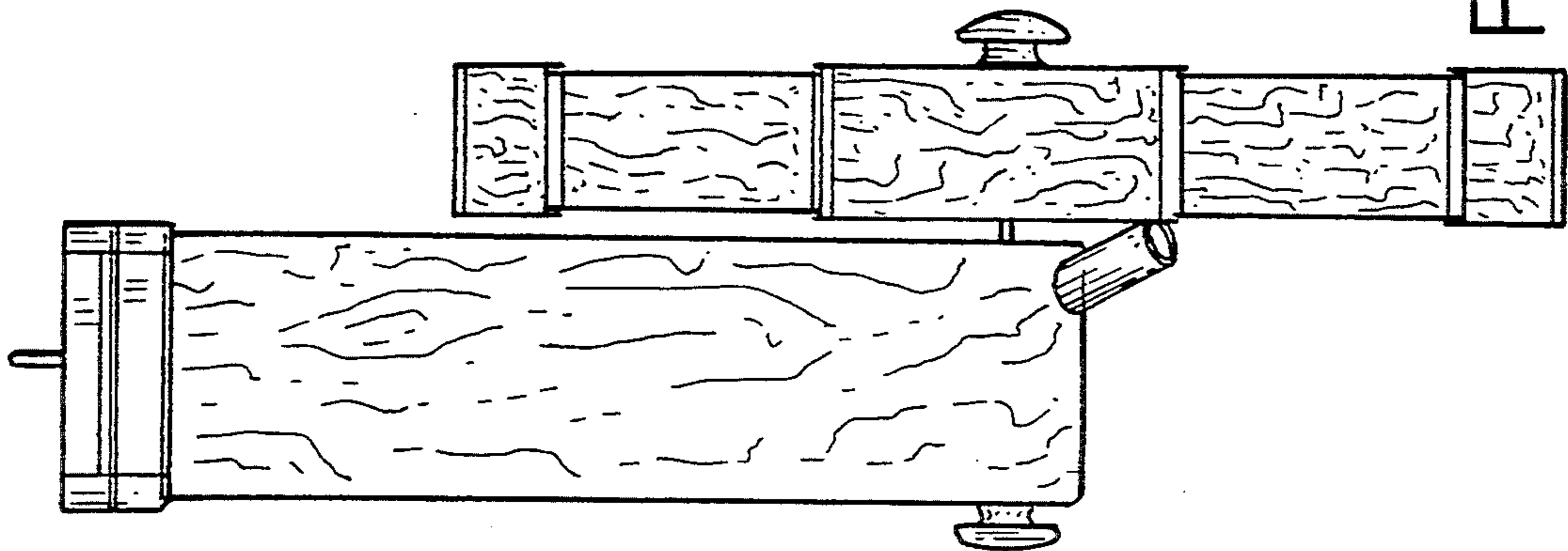


FIG. 5

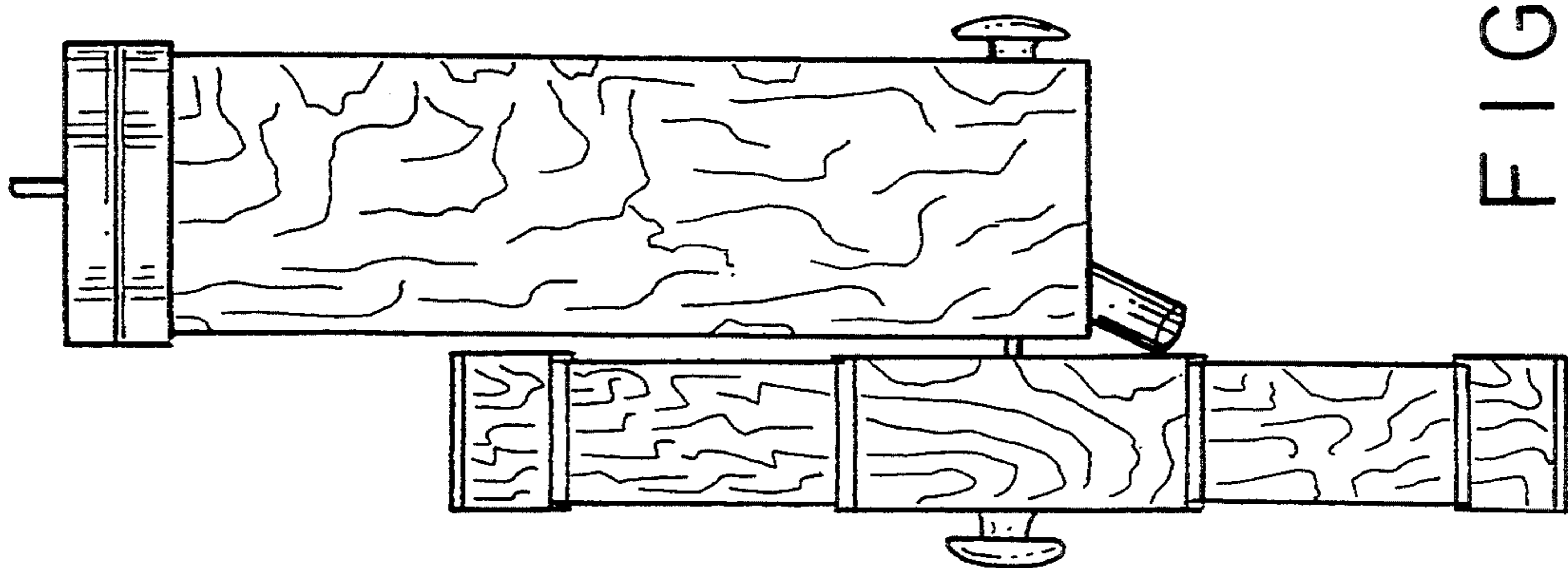


FIG. 4

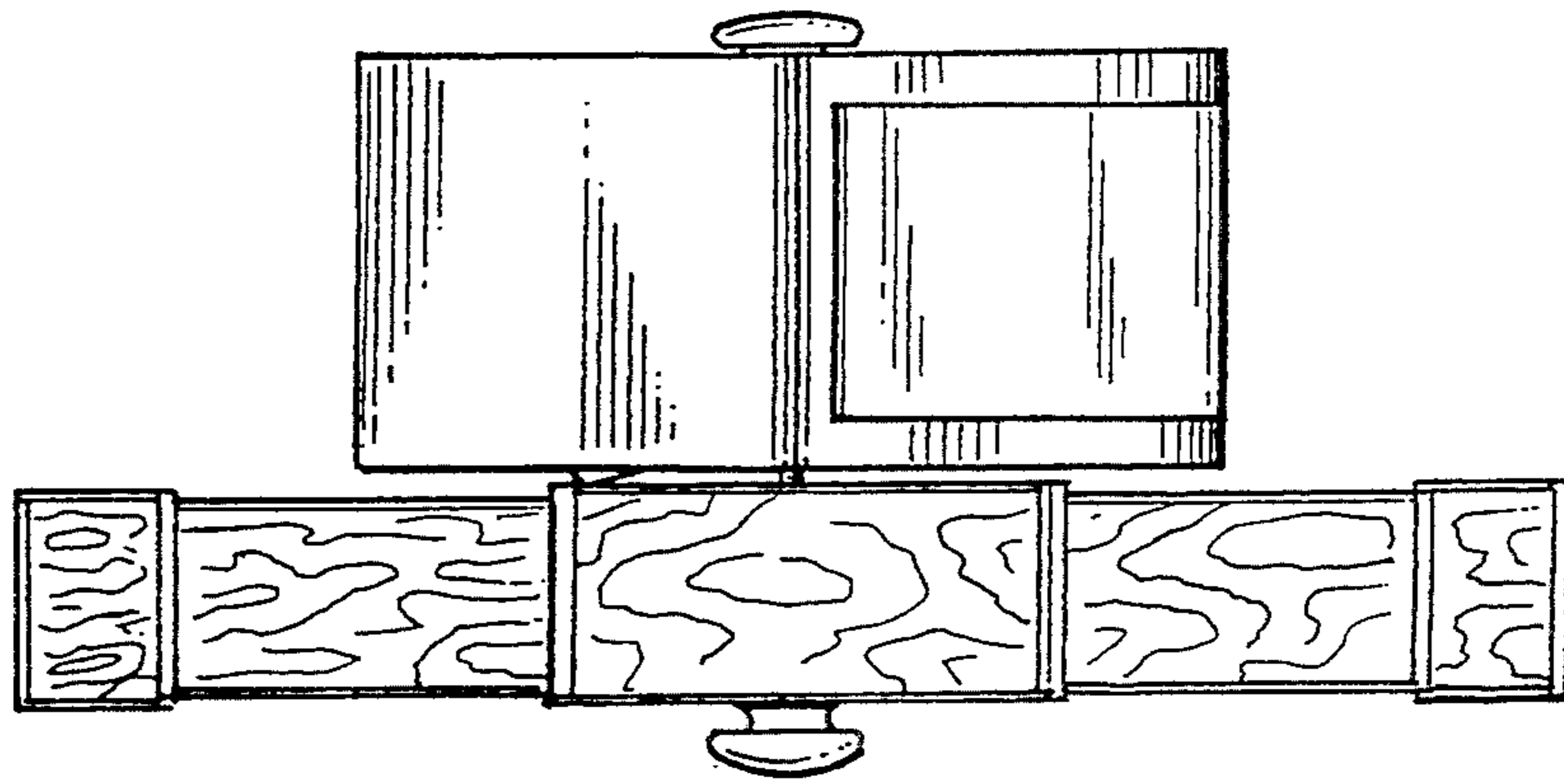


FIG. 6

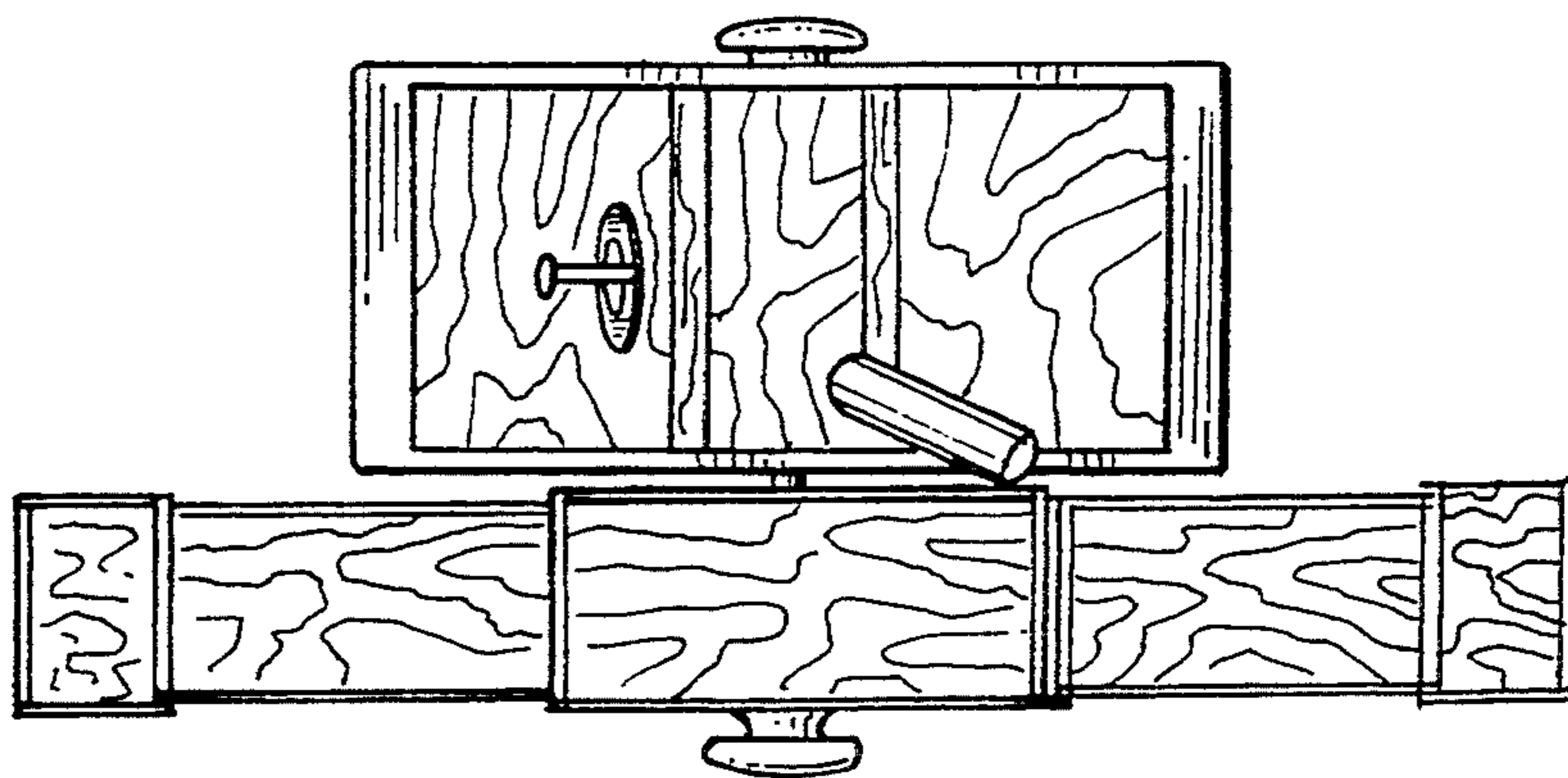


FIG. 7

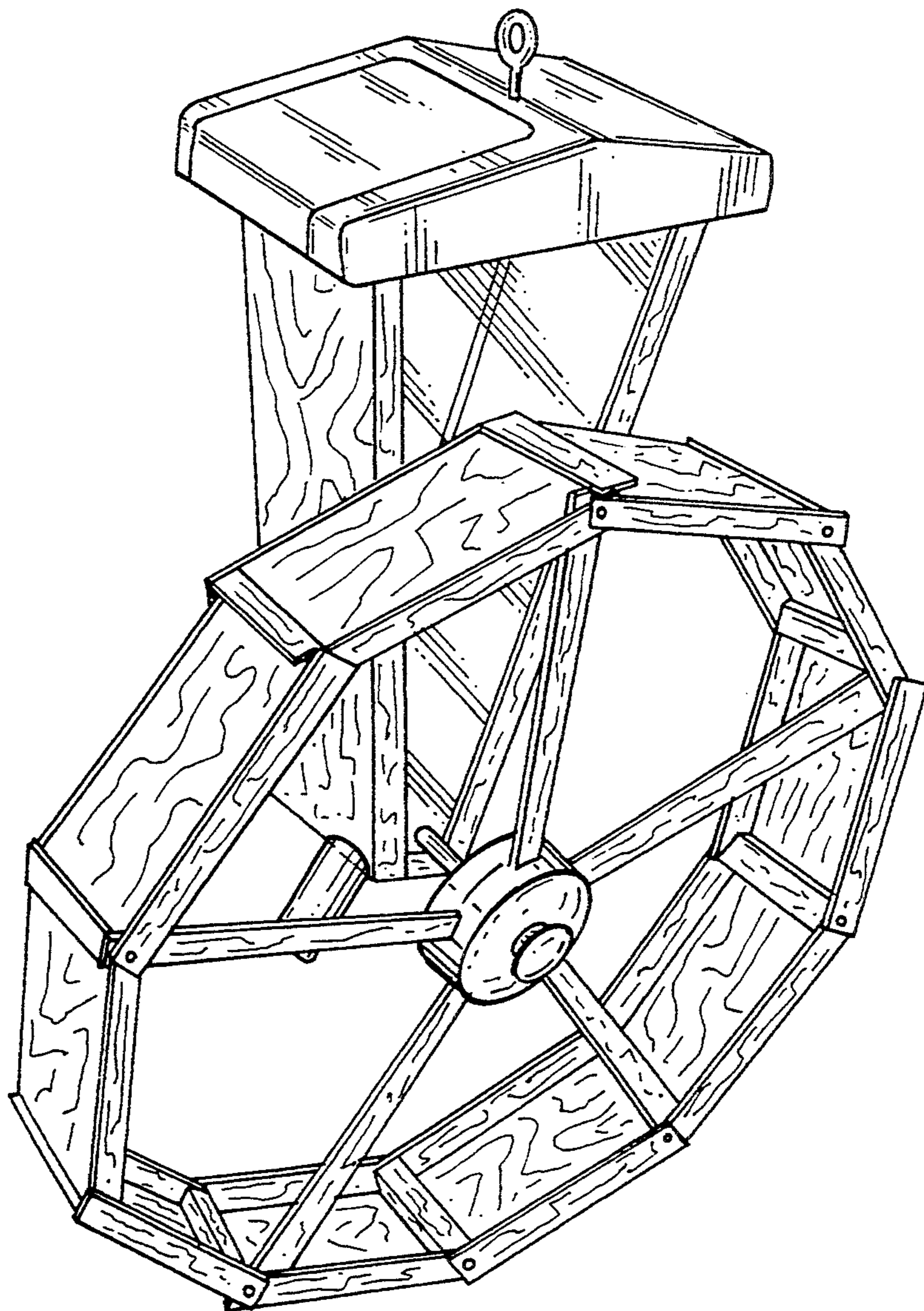


FIG. 8