



US00D361171S

United States Patent [19]

[11] Patent Number: **Des. 361,171**

Ichikawa

[45] Date of Patent: **** Aug. 8, 1995**

[54] **AQUARIUM TANK**

[75] Inventor: **Minoru Ichikawa, Tokyo, Japan**

[73] Assignee: **Nisso Industry Co., Ltd., Tokyo, Japan**

[**] Term: **14 Years**

[21] Appl. No.: **16,242**

[22] Filed: **Dec. 10, 1993**

[52] U.S. Cl. **D30/101**

[58] Field of Search **D30/101, 104, 106, 107; 119/269, 245, 248, 267, 265-266, 246; D11/145; 47/69 T**

60-34401	8/1985	Japan .	
60-34402	8/1985	Japan .	
60-34403	8/1985	Japan .	
60-34404	8/1985	Japan .	
60-34405	8/1985	Japan .	
61-8076	3/1986	Japan .	
61-8077	3/1986	Japan .	
63-31001	8/1988	Japan .	
133847	9/1989	Japan .	
239818	11/1990	Japan .	
239819	11/1990	Japan .	
6007865	1/1977	Netherlands	119/245
1419411	12/1975	United Kingdom	119/269

OTHER PUBLICATIONS

Rain Forest Aquarium brochure.

Primary Examiner—Cathy Anne MacCormac
Attorney, Agent, or Firm—Oblon, Spivak, McClelland, Maier, & Neustadt

[56] References Cited

U.S. PATENT DOCUMENTS

D. 236,632	9/1975	Shalom	D30/101
2,491,853	12/1949	Feldman	D30/101
2,715,794	8/1955	Atkinson	47/69
2,792,811	5/1957	Chiaro	119/269
3,721,366	3/1973	Battershall et al.	119/269
4,191,129	3/1980	Renny	119/269
4,889,973	12/1989	Farinacci et al.	119/245
5,009,190	4/1991	Gordon	119/265
5,299,424	4/1994	Woodson et al.	119/245

FOREIGN PATENT DOCUMENTS

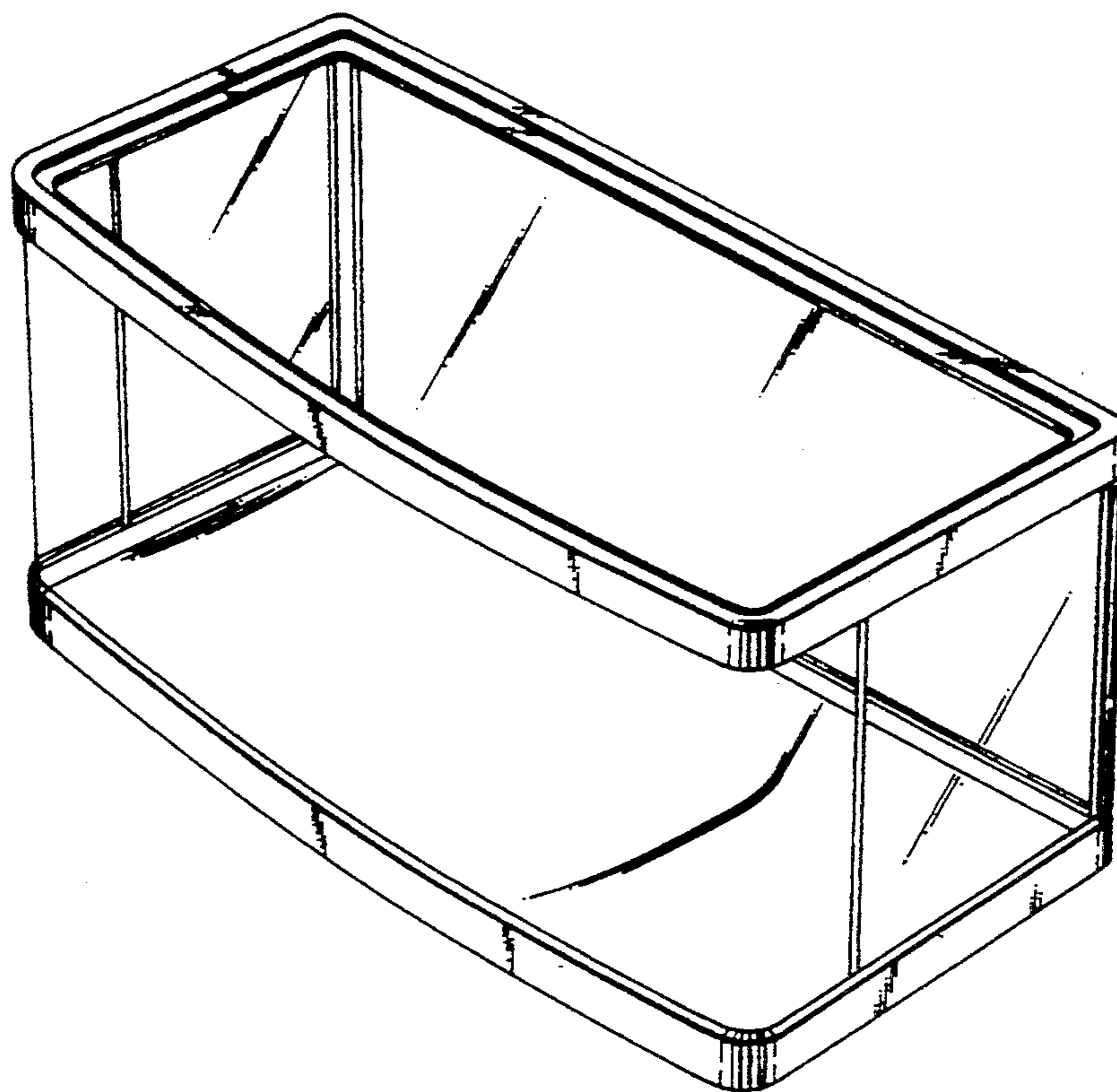
59-18460	5/1984	Japan .
59-18461	5/1984	Japan .
60-31014	7/1985	Japan .
60-31016	7/1985	Japan .

[57] CLAIM

The ornamental design for an aquarium tank, as shown and described.

DESCRIPTION

FIG. 1 is a top and right front perspective view of an aquarium tank, showing my new design;
FIG. 2 is a front elevational view thereof;
FIG. 3 is a rear elevational view thereof;
FIG. 4 is a top plan view thereof;
FIG. 5 is a bottom plan view thereof;
FIG. 6 is a left side elevational view thereof; and,
FIG. 7 is a right side elevational view thereof.



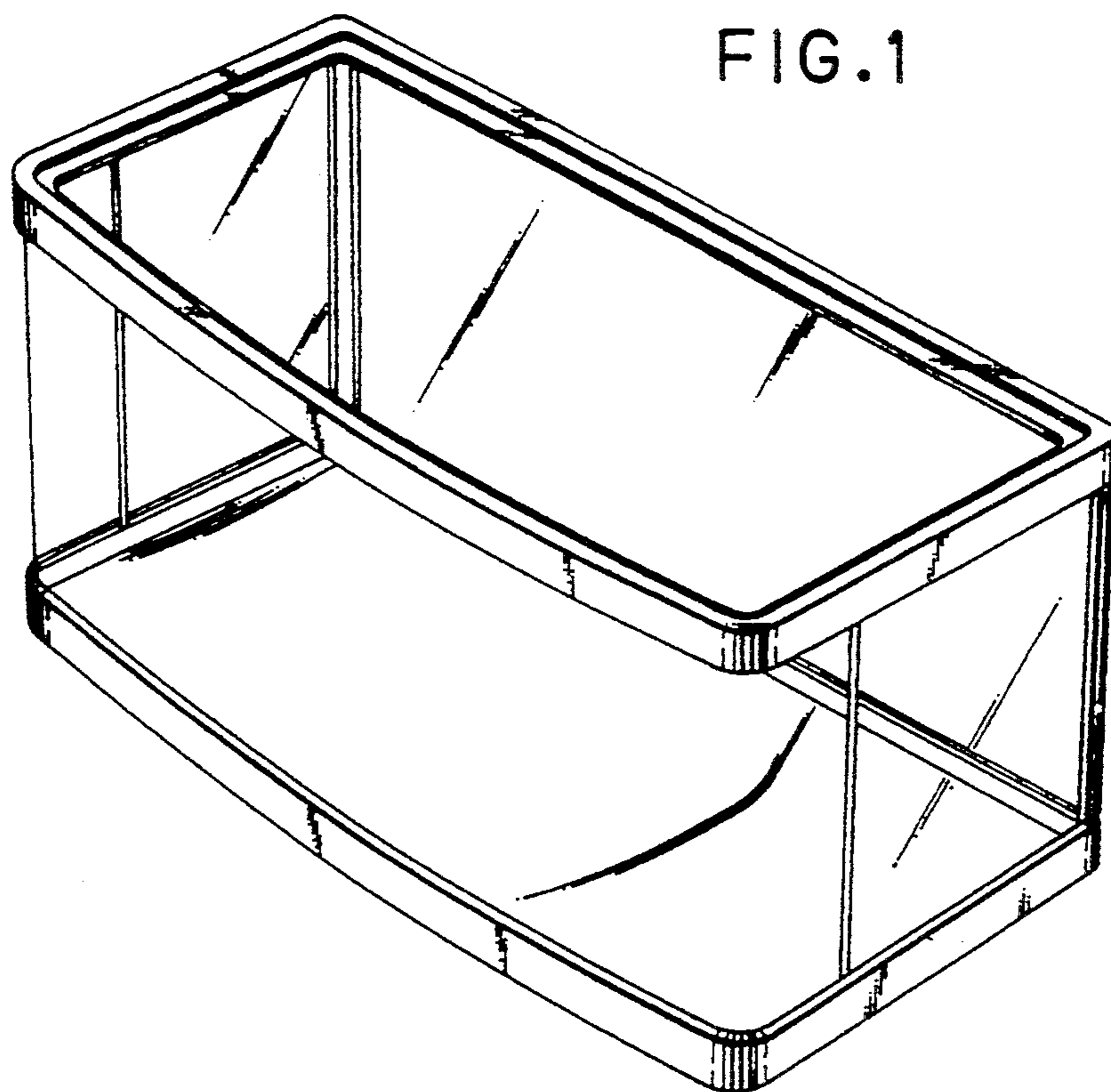


FIG. 2

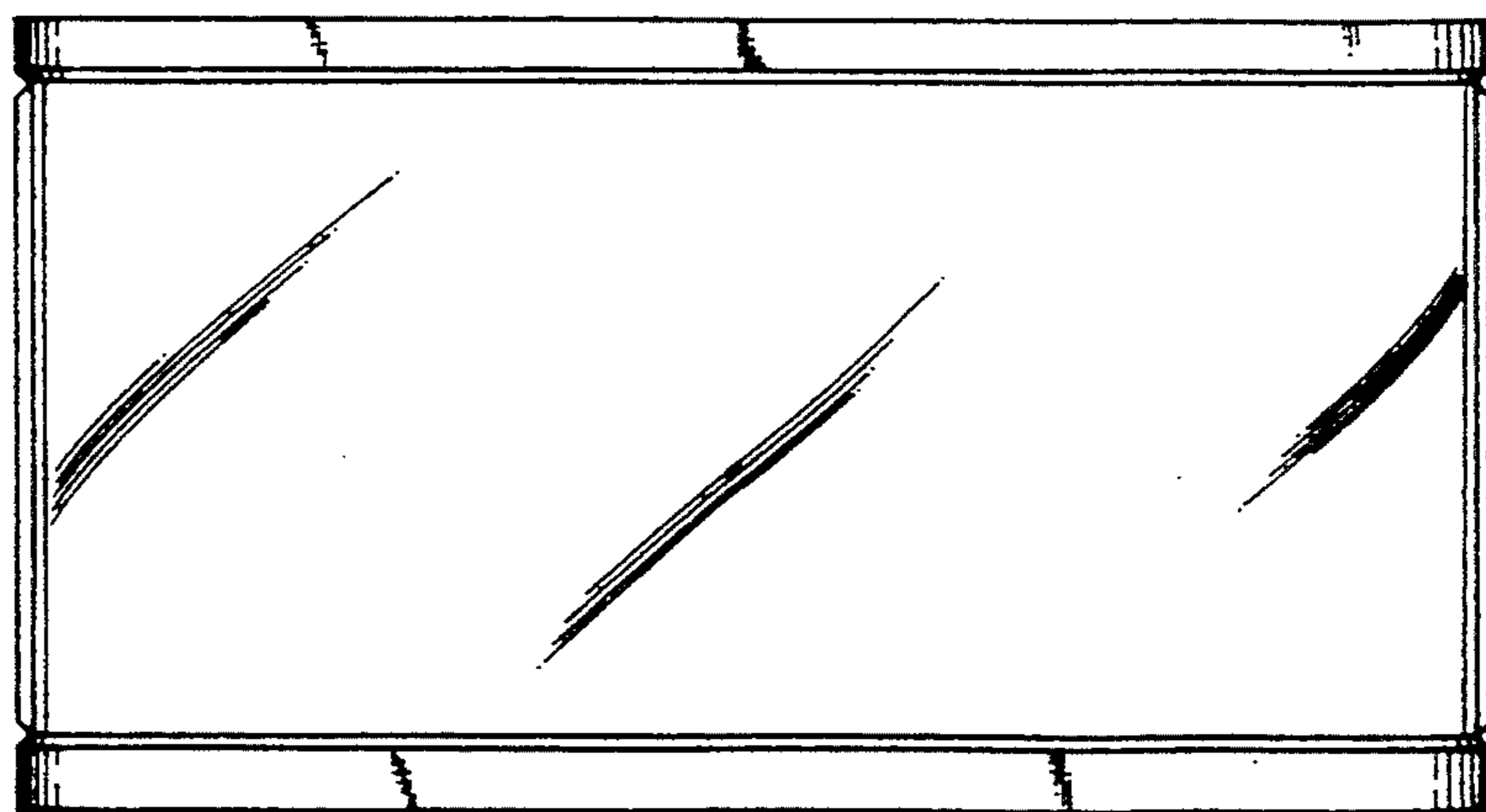


FIG. 3

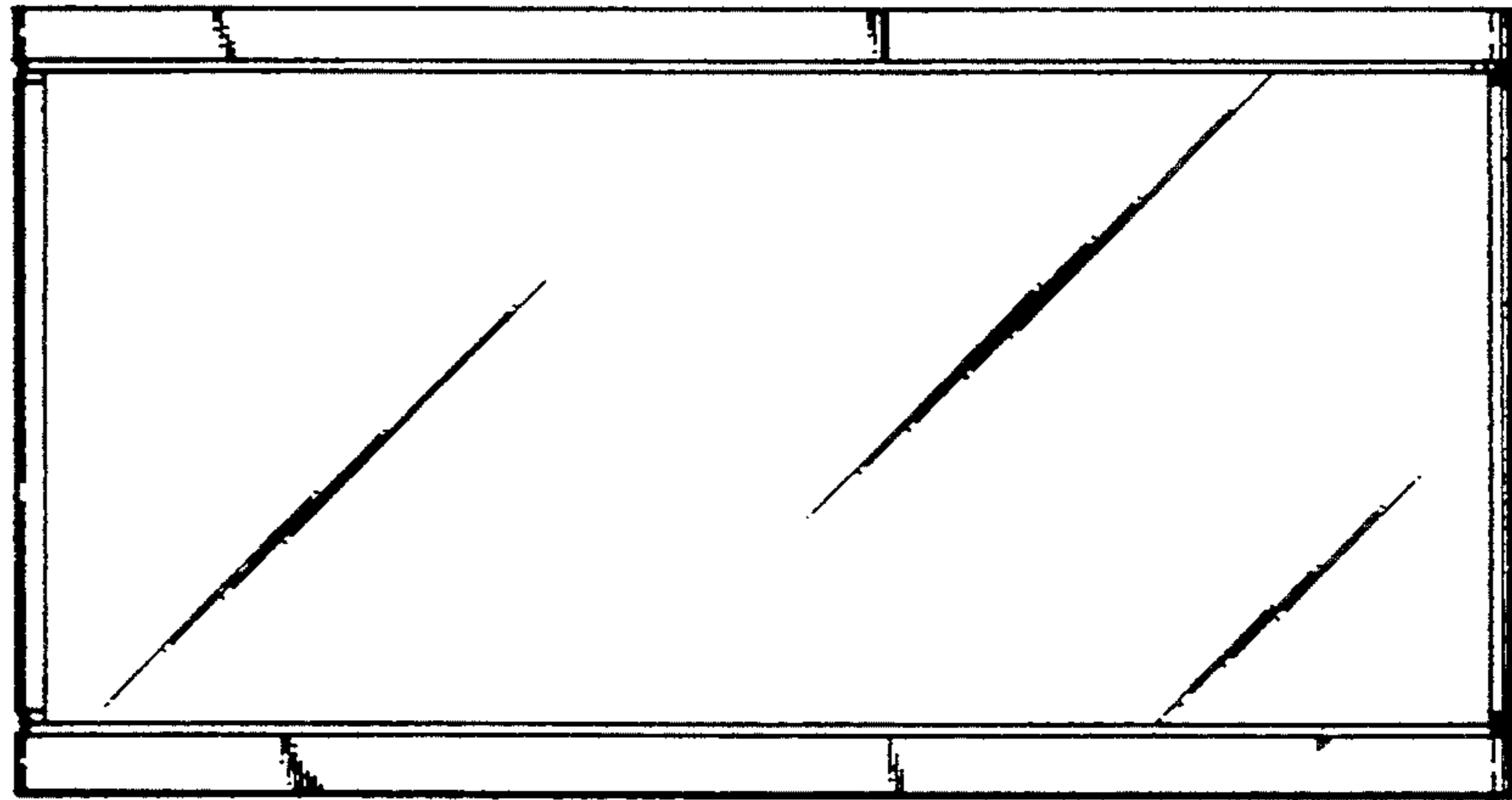


FIG. 4

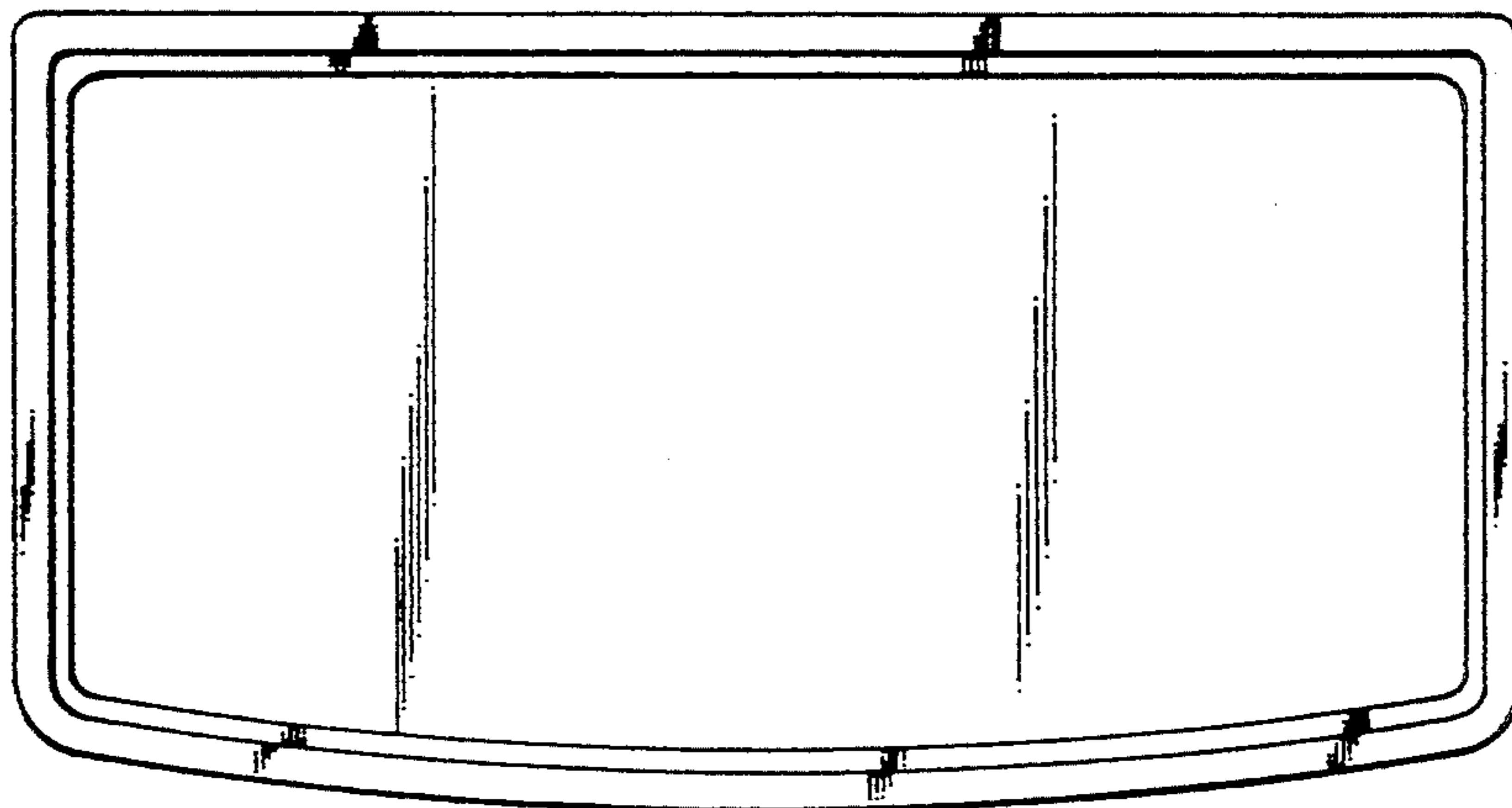


FIG. 5

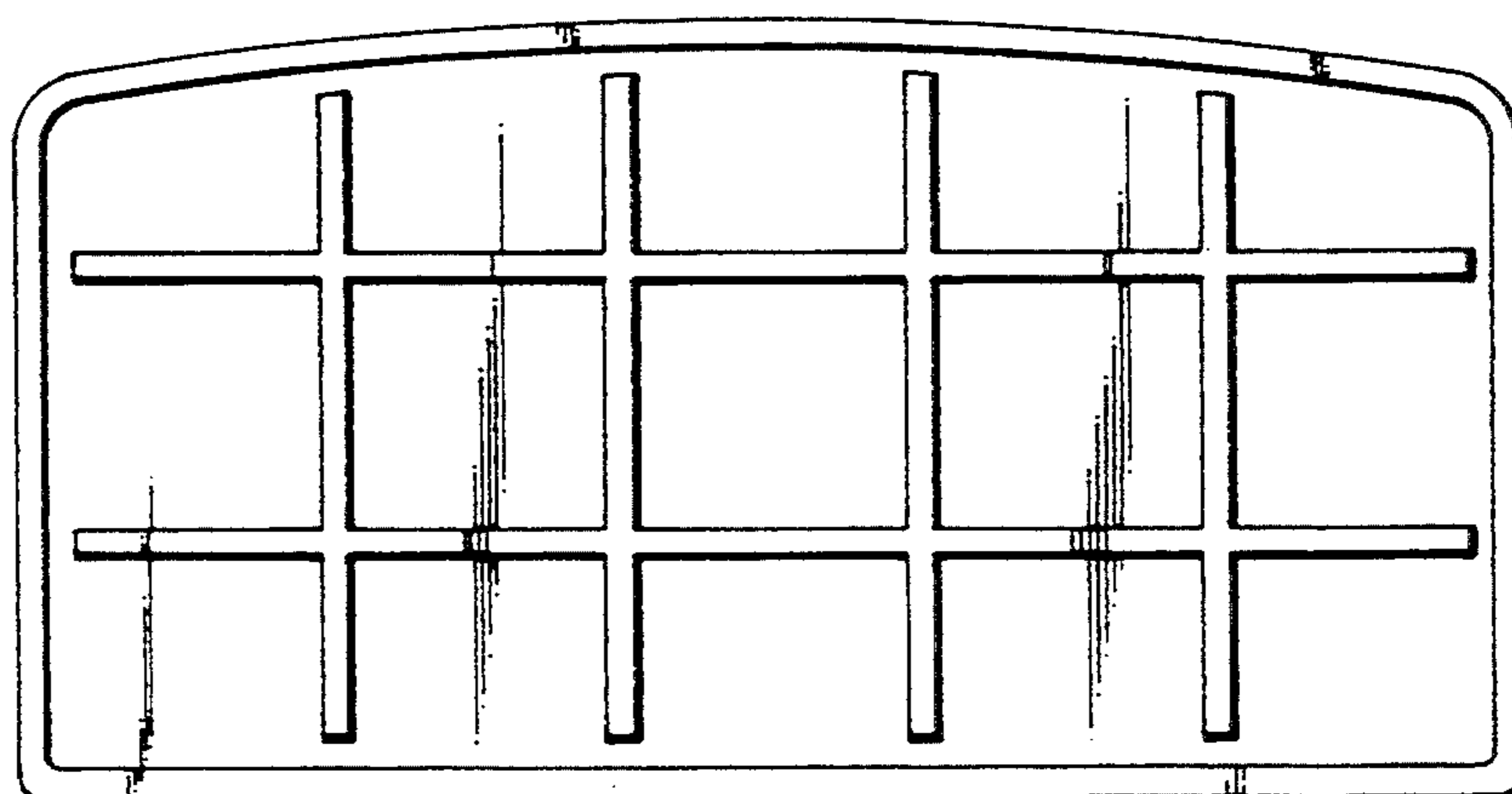


FIG. 6

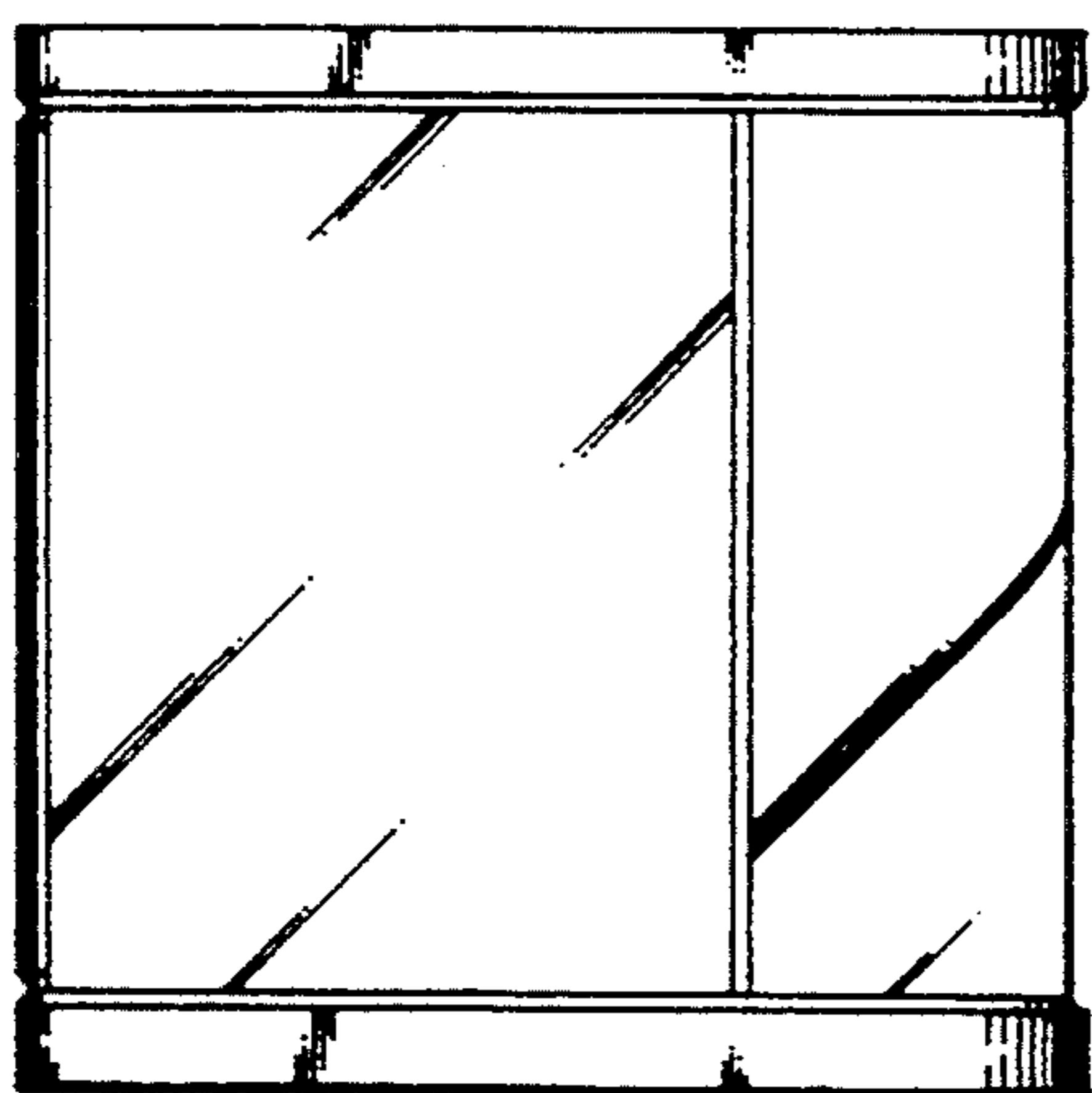


FIG. 7

