



US00D361168S

# United States Patent [19]

[11] Patent Number: **Des. 361,168**

Ichikawa

[45] Date of Patent: **\*\* Aug. 8, 1995**

[54] AQUARIUM TANK

[75] Inventor: **Minoru Ichikawa, Tokyo, Japan**

[73] Assignee: **Nisso Industry Co., Ltd., Tokyo, Japan**

[\*\*] Term: **14 Years**

[21] Appl. No.: **16,229**

[22] Filed: **Dec. 10, 1993**

[52] U.S. Cl. .... **D30/101**

[58] Field of Search ..... 119/269, 245, 246, 248, 119/267, 265, 266; D30/101, 104, 106, 107; D11/145; 47/69 T

60-34404	8/1985	Japan .	
60-34405	8/1985	Japan .	
61-8076	3/1986	Japan .	
61-8077	3/1986	Japan .	
63-31001	8/1988	Japan .	
1-33847	9/1989	Japan .	
2-39818	11/1990	Japan .	
2-39819	11/1990	Japan .	
6007865	1/1977	Netherlands .....	119/245
1419411	12/1975	United Kingdom .....	119/269

### OTHER PUBLICATIONS

Rain Forest Aquarium brochure.

*Primary Examiner*—Cathy Anne MacCormac  
*Attorney, Agent, or Firm*—Oblon, Spivak, McClelland, Maier & Neustadt

### [56] References Cited

#### U.S. PATENT DOCUMENTS

D. 236,632	9/1975	Shalom .....	D30/101
2,491,853	12/1949	Feldman .....	D30/101
2,715,794	8/1955	Atkinson .....	47/69
2,792,811	5/1957	Chiaro .....	119/269
3,721,366	3/1973	Bahershall et al. ....	119/269
4,191,129	3/1980	Renny .....	119/269
4,889,973	12/1989	Farinacci et al. ....	119/245
5,009,190	4/1991	Gordon .....	119/265
5,299,424	4/1994	Woodson et al. ....	119/245

#### FOREIGN PATENT DOCUMENTS

59-18460	5/1984	Japan .
59-18461	5/1984	Japan .
60-31014	7/1985	Japan .
60-31016	7/1985	Japan .
60-34401	8/1985	Japan .
60-34403	8/1985	Japan .

### [57] CLAIM

The ornamental design for an aquarium tank, as shown and described.

### DESCRIPTION

FIG. 1 is a top and right front perspective view of an aquarium tank, showing my new design;  
 FIG. 2 is a front elevational view thereof;  
 FIG. 3 is a rear elevational view thereof;  
 FIG. 4 is a left side elevational view thereof;  
 FIG. 5 is a right side elevational view thereof;  
 FIG. 6 is a top plan view thereof;  
 FIG. 7 is a bottom plan view thereof;  
 FIG. 8 is a cross-sectional view taken along line 8—8 in FIG. 2; and,  
 FIG. 9 is a cross-sectional view taken along line 9—9 in FIG. 2.

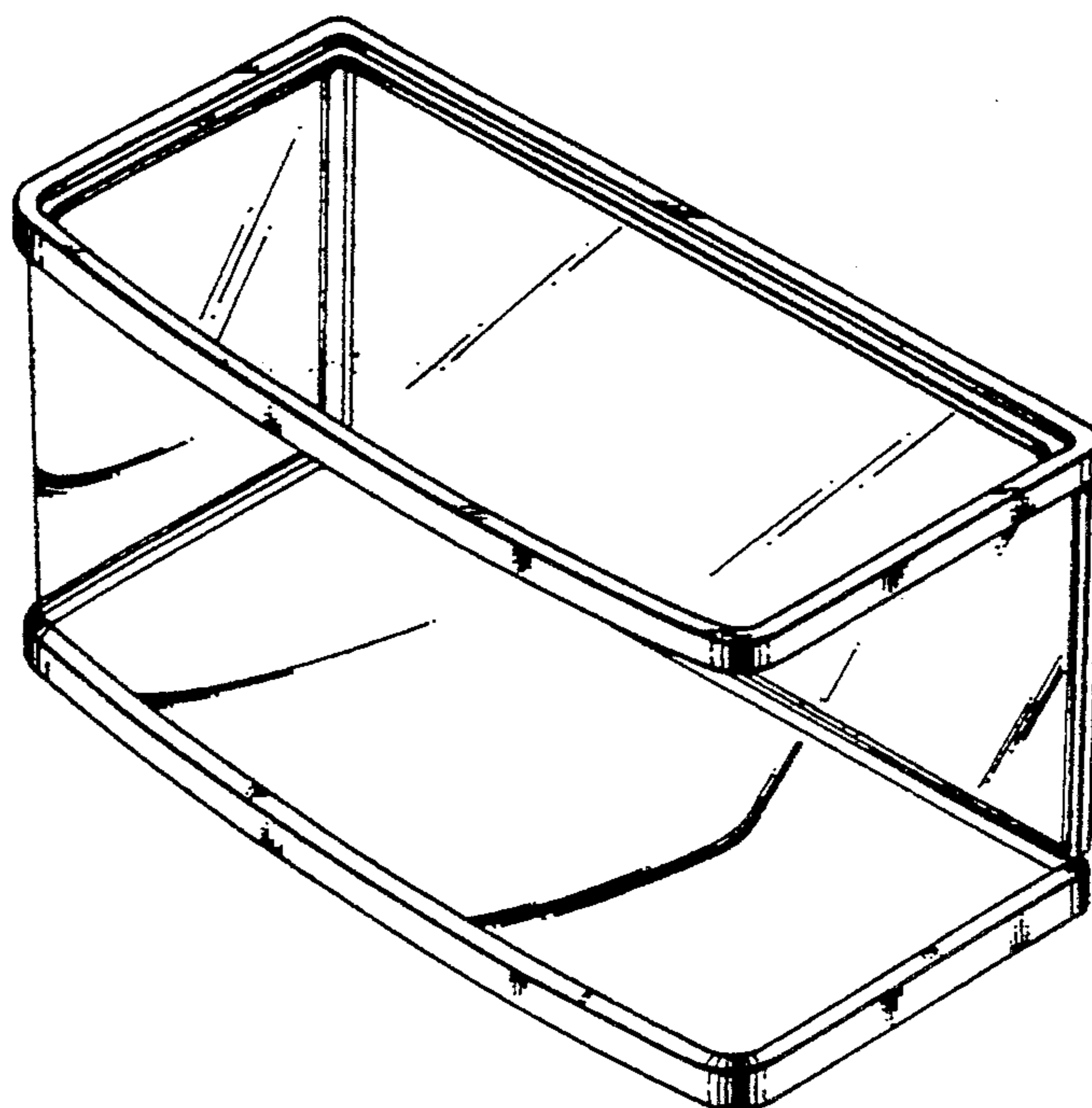


FIG. 1

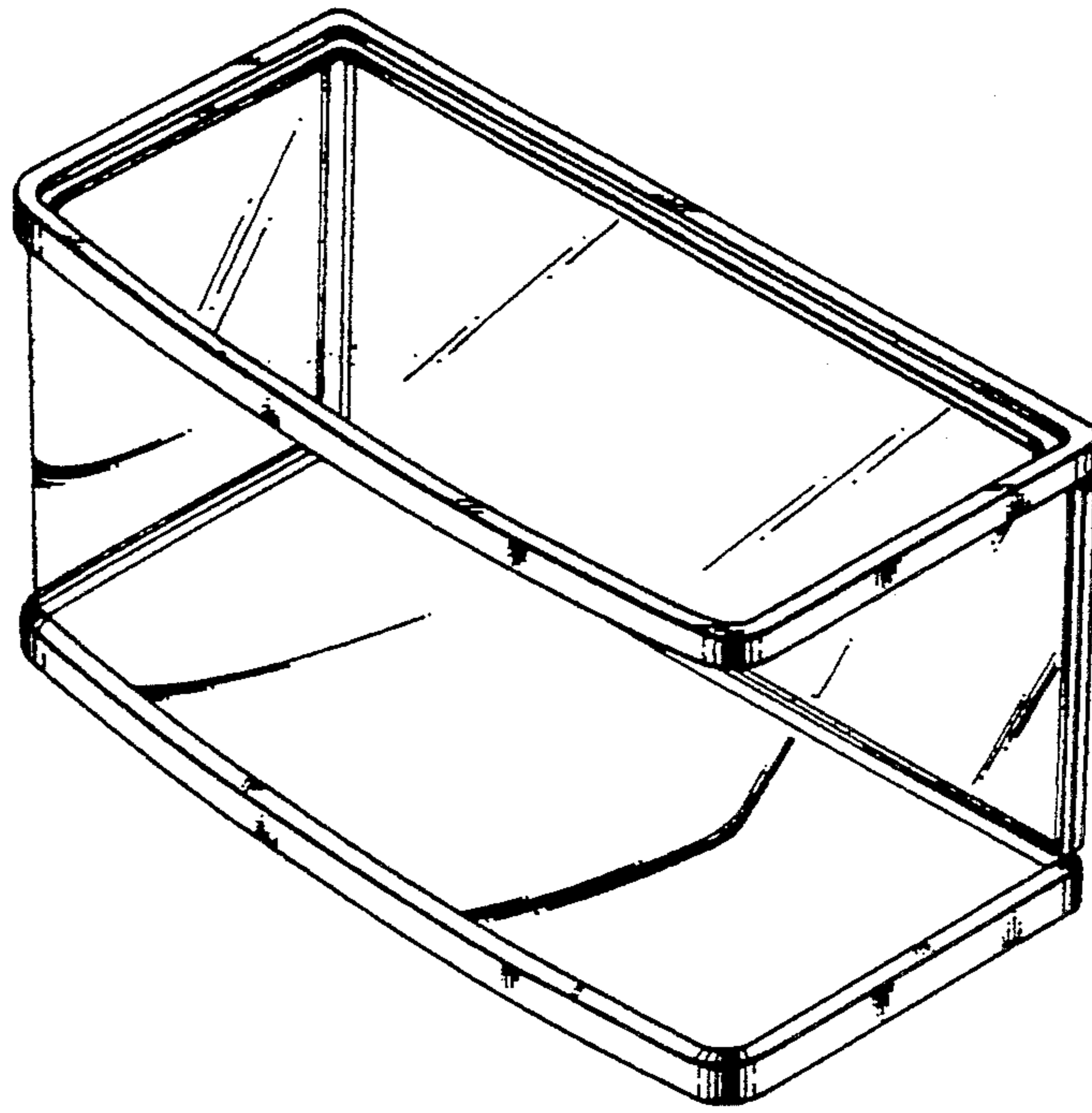


FIG. 2

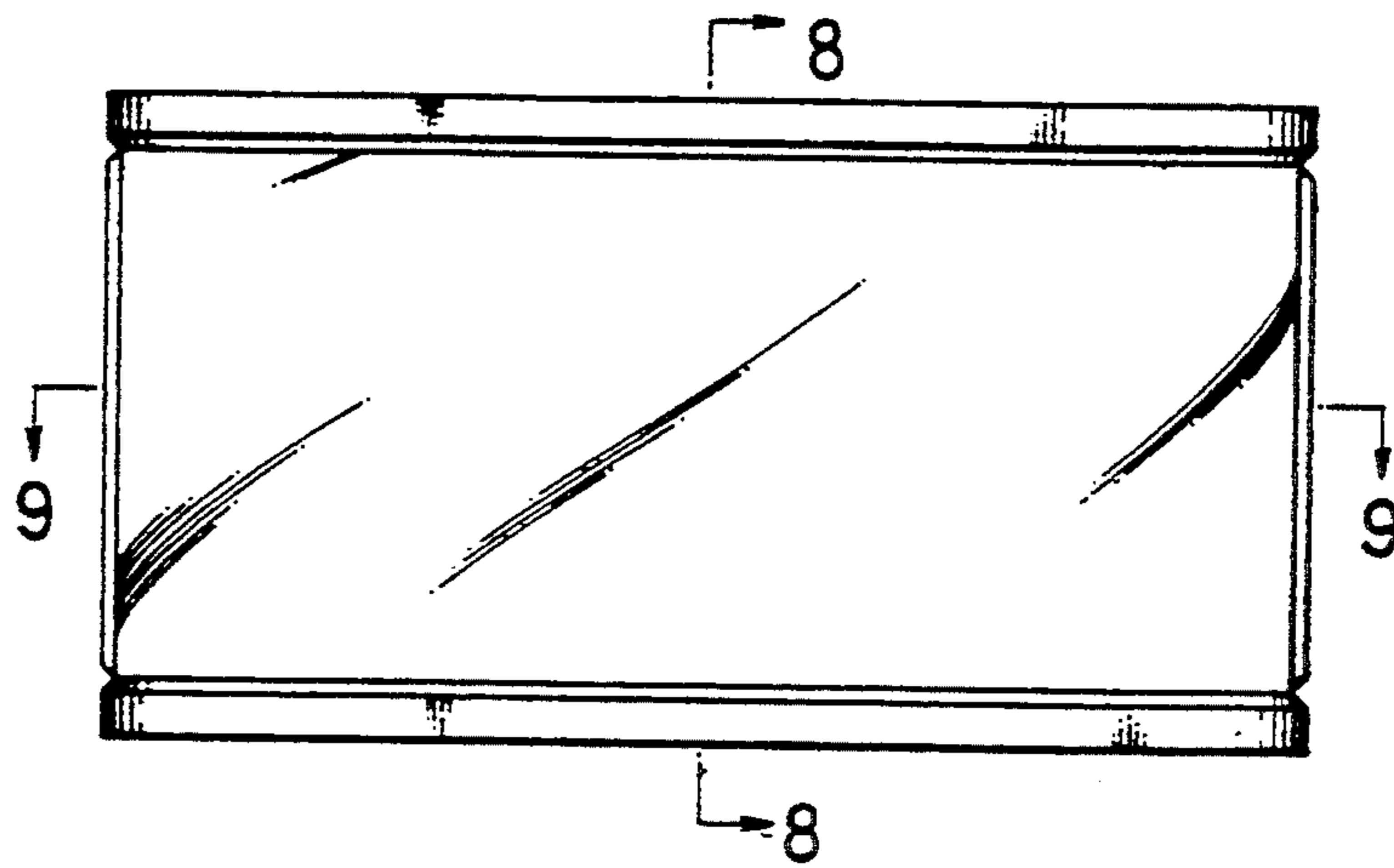


FIG. 3

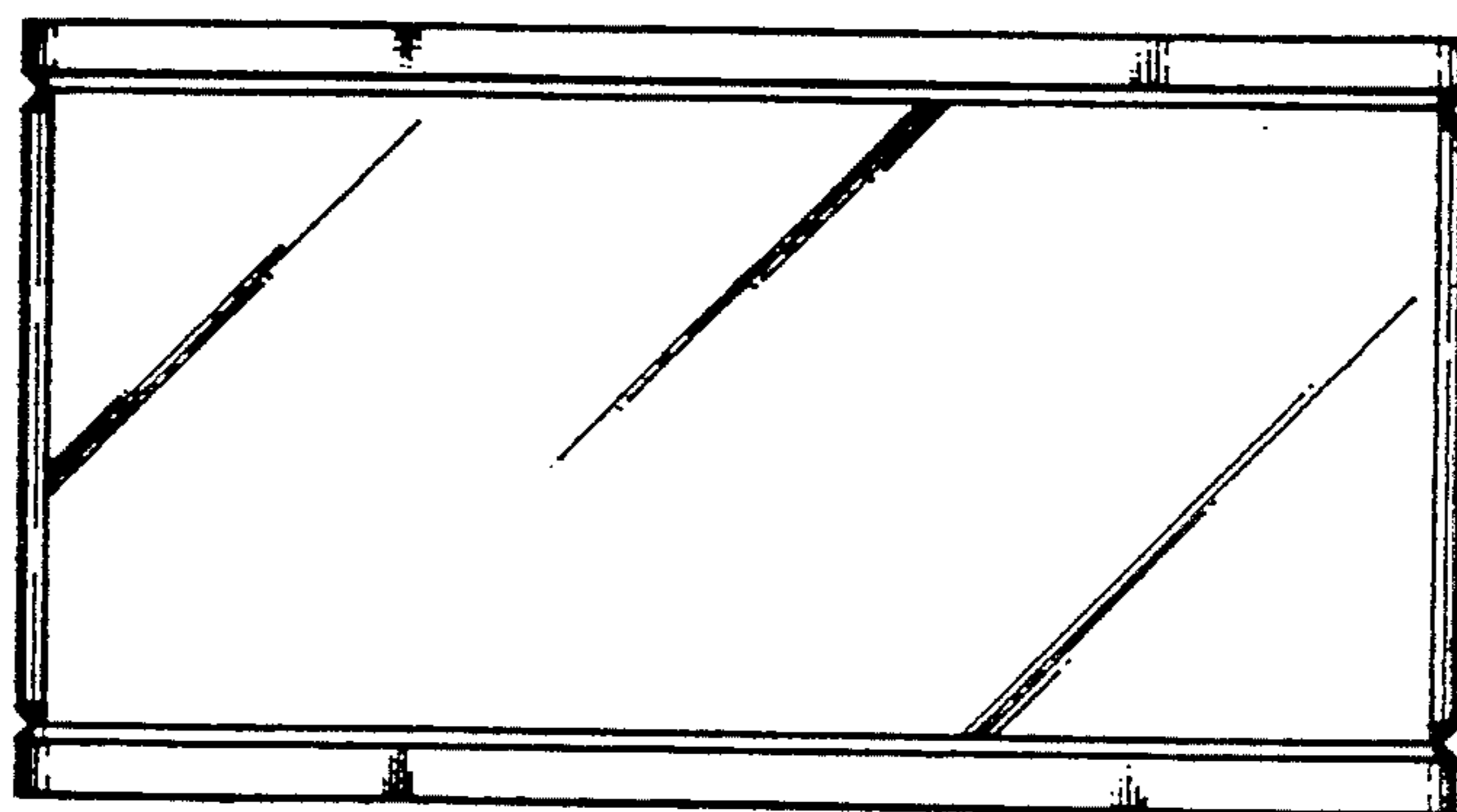


FIG. 4

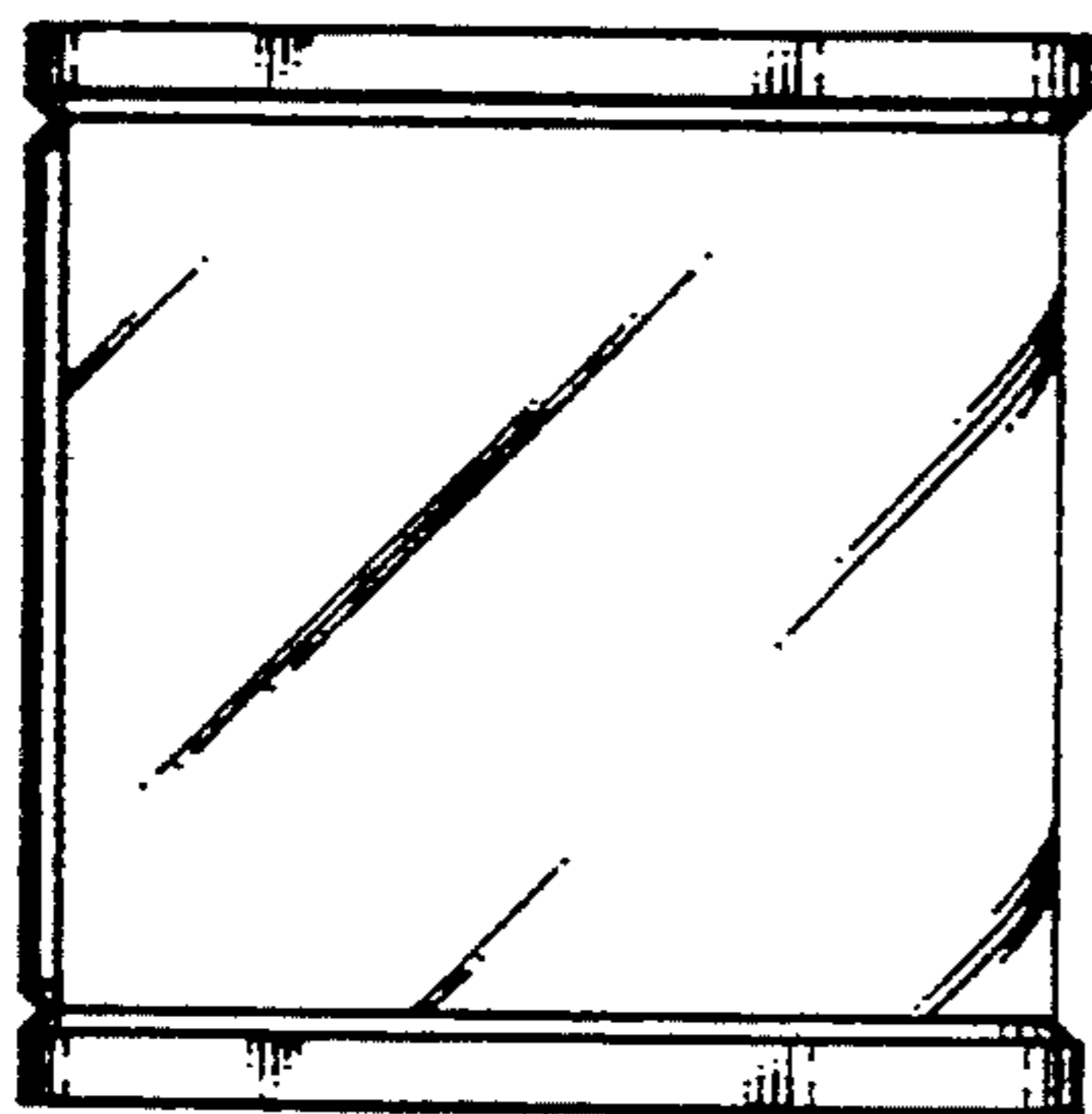


FIG. 5

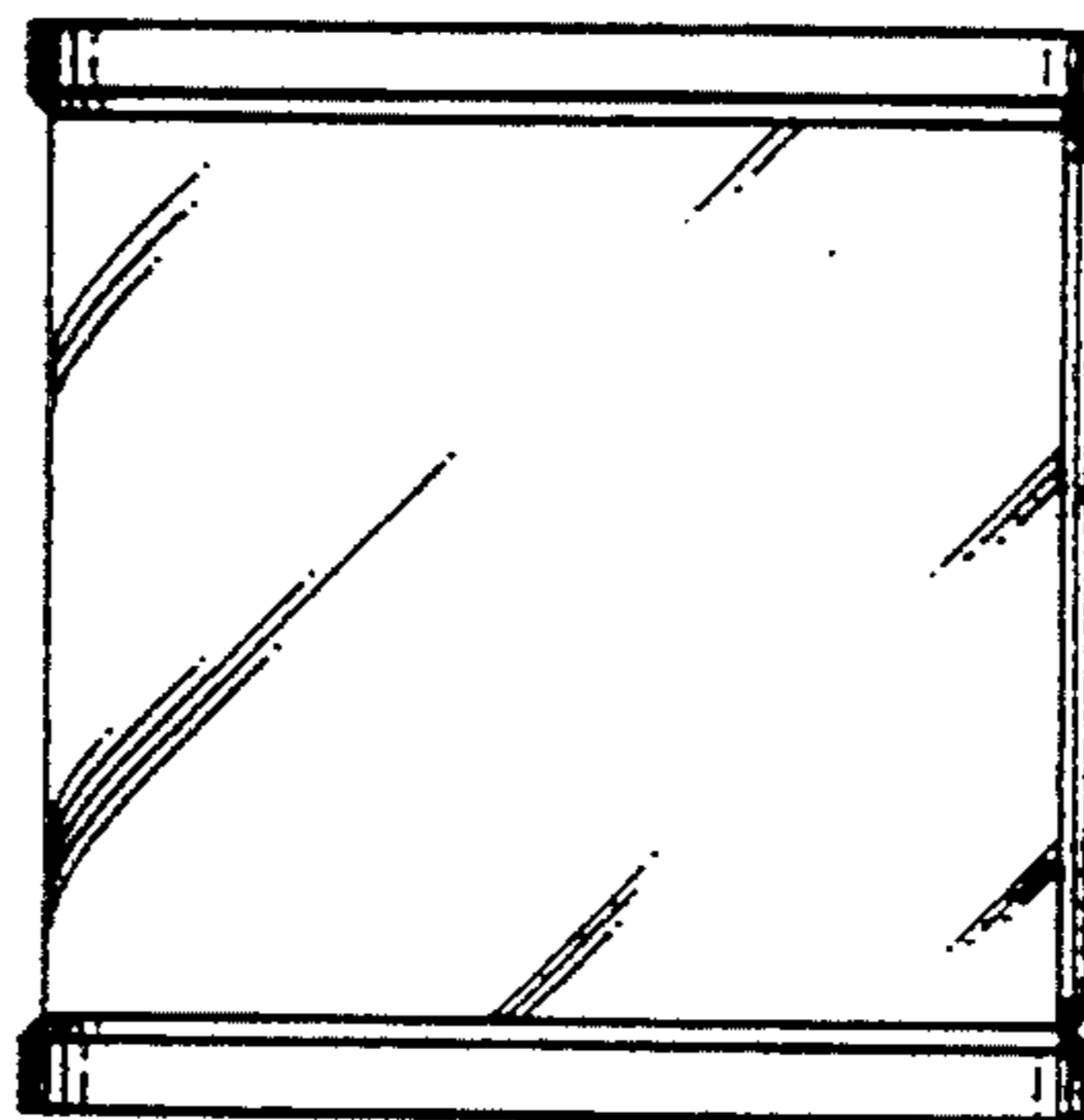


FIG. 6

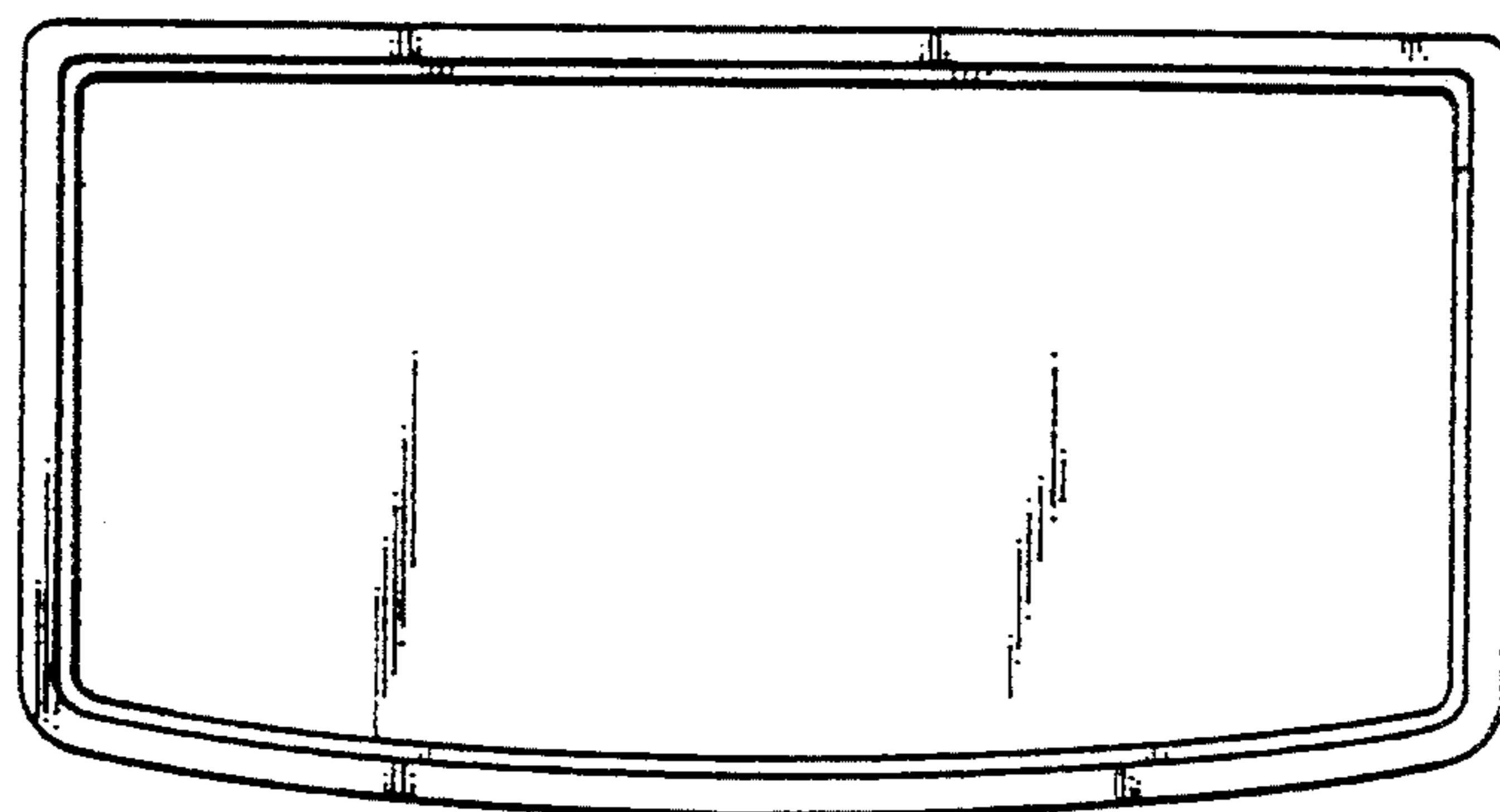


FIG. 7

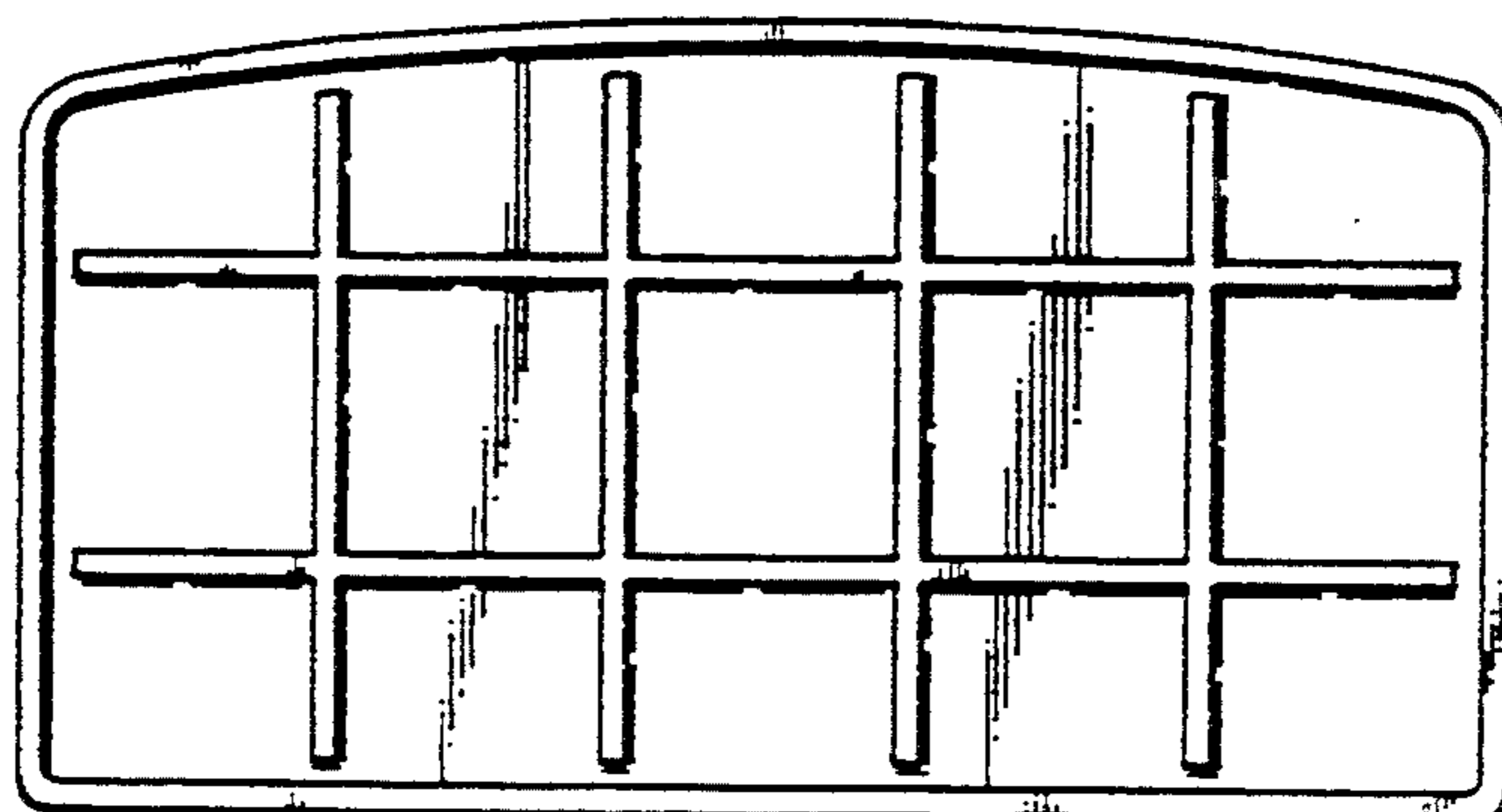


FIG. 8

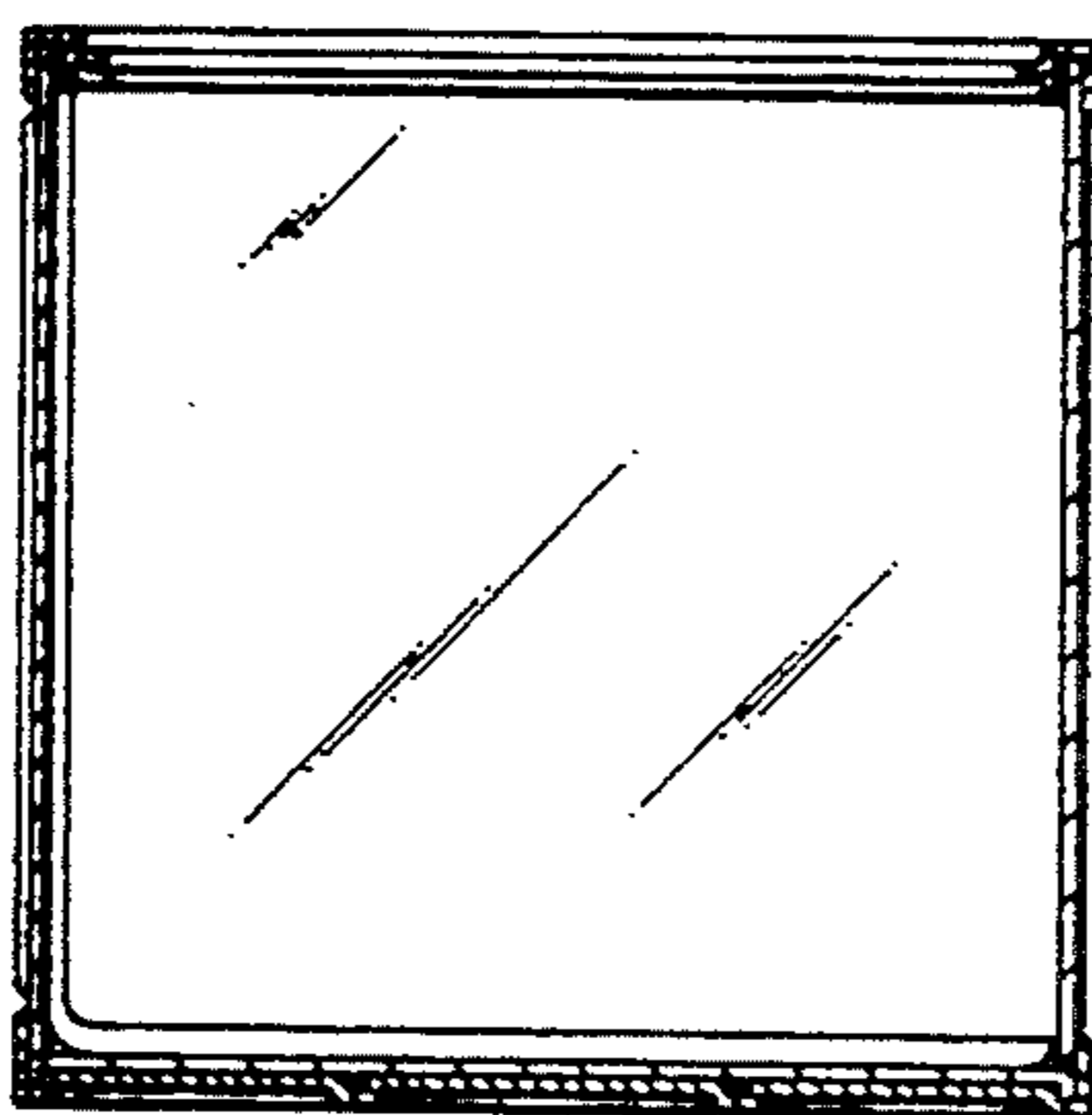


FIG. 9

