



US00D361166S

# United States Patent [19] Tsuchiya

[11] Patent Number: Des. 361,166

[45] Date of Patent: \*\* Aug. 8, 1995

[54] AQUARIUM TANK

[75] Inventor: Toshihiro Tsuchiya, Kashiwa, Japan

[73] Assignee: Nisso Industry Co., Ltd., Tokyo, Japan

[\*\*] Term: 14 Years

[21] Appl. No.: 16,205

[22] Filed: Dec. 10, 1993

[52] U.S. Cl. .... D30/101

[58] Field of Search ..... 119/269, 245, 248, 267, 119/265, 266, 246; D30/101, 104, 106-107; D11/145; 47/69 T

60-34402 8/1985 Japan .  
 60-34403 8/1985 Japan .  
 60-34404 8/1985 Japan .  
 60-34405 8/1985 Japan .  
 61-8076 3/1986 Japan .  
 61-8077 3/1986 Japan .  
 63-31001 8/1988 Japan .  
 1-33847 9/1989 Japan .  
 2-39818 11/1990 Japan .  
 2-39819 11/1990 Japan .  
 6007865 1/1977 Netherlands ..... 119/245  
 1419411 12/1975 United Kingdom ..... 119/269

### OTHER PUBLICATIONS

Rain Forest Aquarium Brochure.

Primary Examiner—Cathy Anne MacCormac  
Attorney, Agent, or Firm—Oblon, Spivak, McClelland, Maier & Neustadt

### [56] References Cited U.S. PATENT DOCUMENTS

D. 236,632 9/1975 Shalom ..... D30/101  
 2,491,853 12/1949 Feldman ..... D30/101  
 2,715,794 8/1955 Atkinson ..... 47/69  
 2,792,811 5/1957 Chiaro ..... 119/269  
 3,721,366 3/1973 Battershall et al. .... 119/269  
 4,191,129 3/1980 Rinny ..... 119/269  
 4,889,973 12/1989 Farinacci et al. .... 119/245  
 5,009,190 4/1991 Gordon ..... 119/265  
 5,299,424 4/1994 Woodson et al. .... 119/245

### FOREIGN PATENT DOCUMENTS

59-18460 5/1984 Japan .  
 59-18461 5/1984 Japan .  
 60-31014 7/1985 Japan .  
 60-31016 7/1985 Japan .  
 60-34401 8/1985 Japan .

### [57] CLAIM

The ornamental design for an aquarium tank, as shown and described.

### DESCRIPTION

FIG. 1 is a top and right front perspective view of an aquarium tank, showing my new design;  
 FIG. 2 is a front elevational view thereof;  
 FIG. 3 is a rear elevational view thereof;  
 FIG. 4 is a top plan view thereof;  
 FIG. 5 is a bottom plan view thereof;  
 FIG. 6 is a right side elevational view thereof, the opposite side being a mirror image of the side shown; and,  
 FIG. 7 is a cross-sectional view taken along line —7 in FIG. 2.

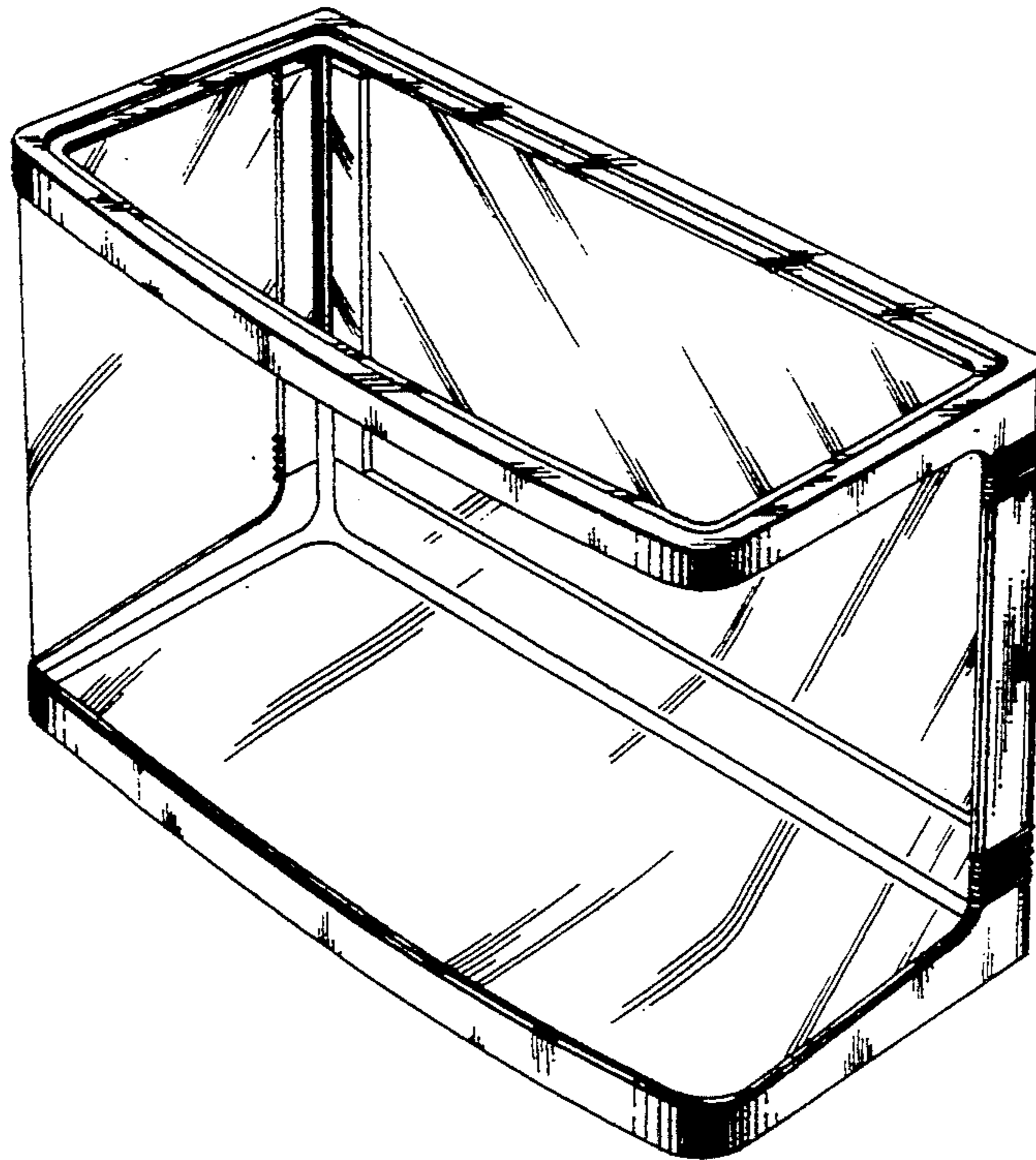


FIG. 1

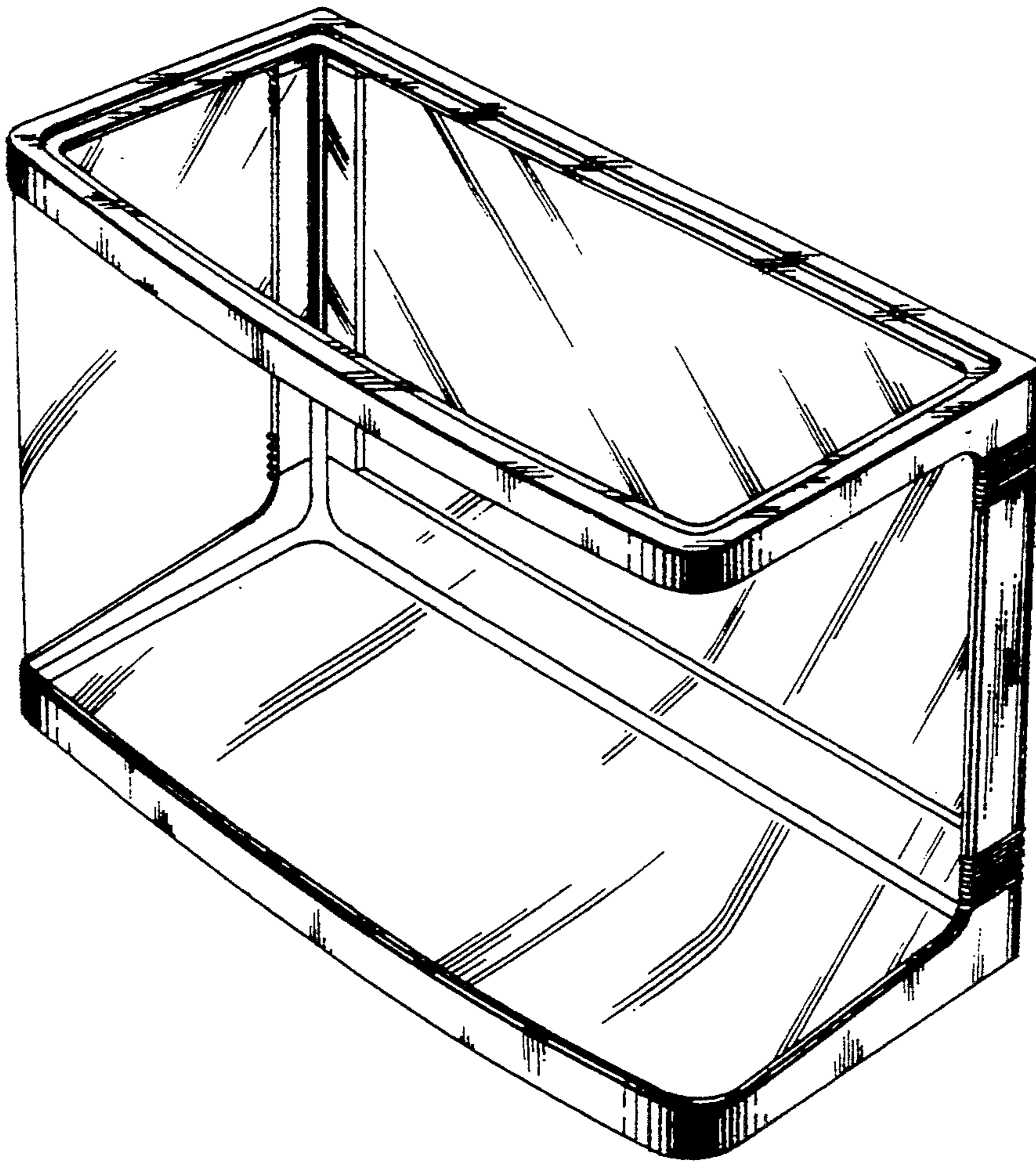


FIG. 2

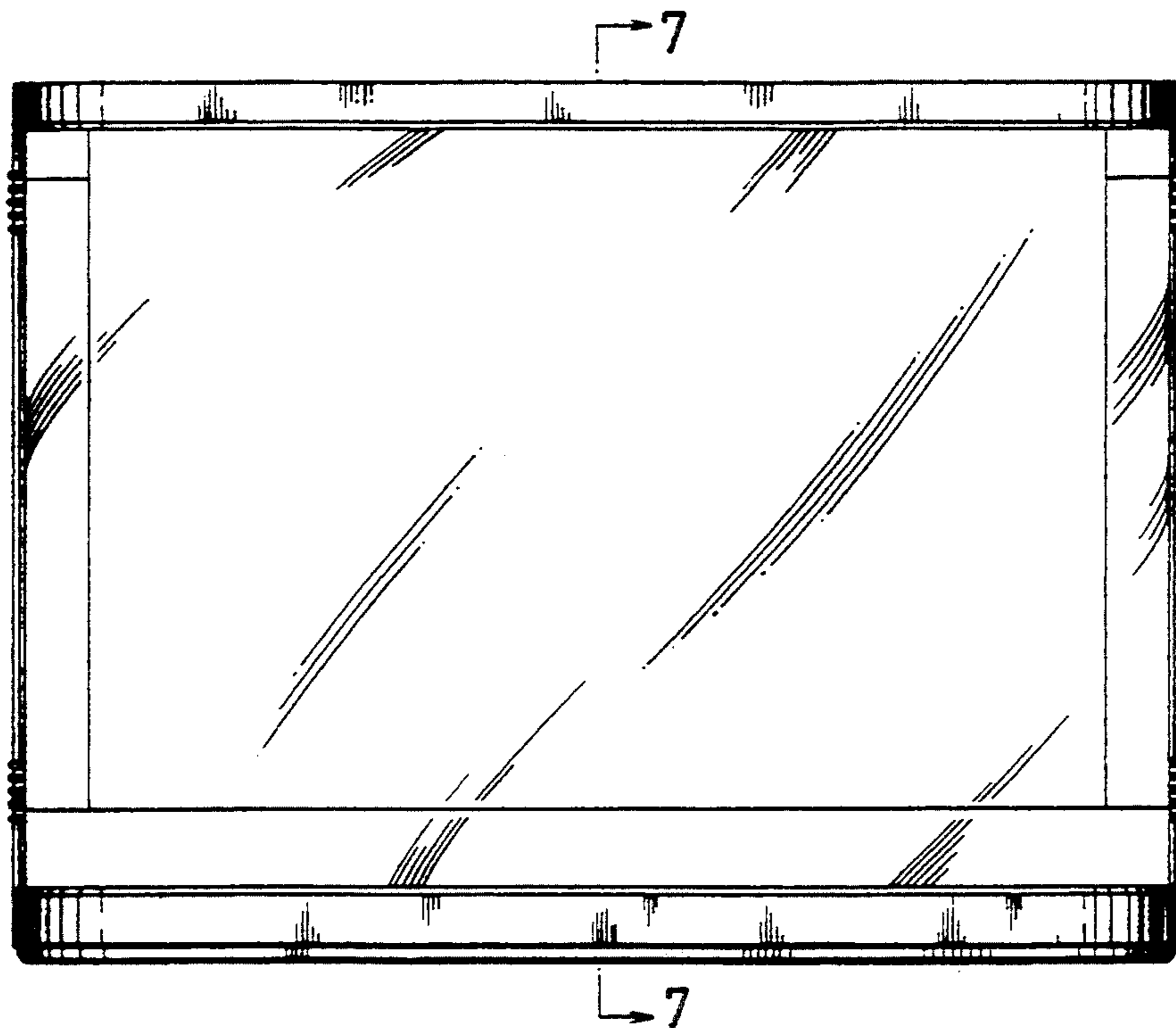


FIG. 3

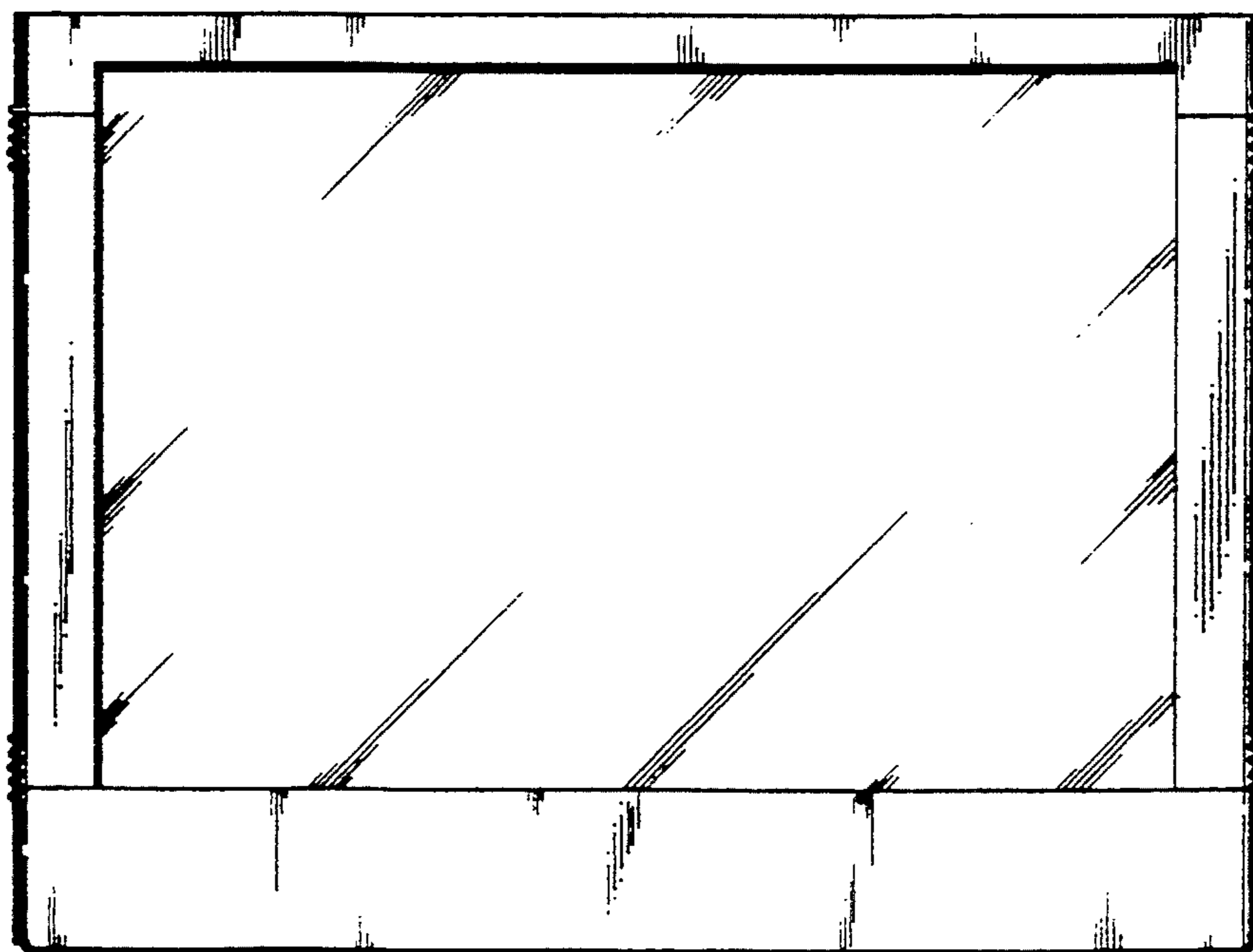


FIG. 4

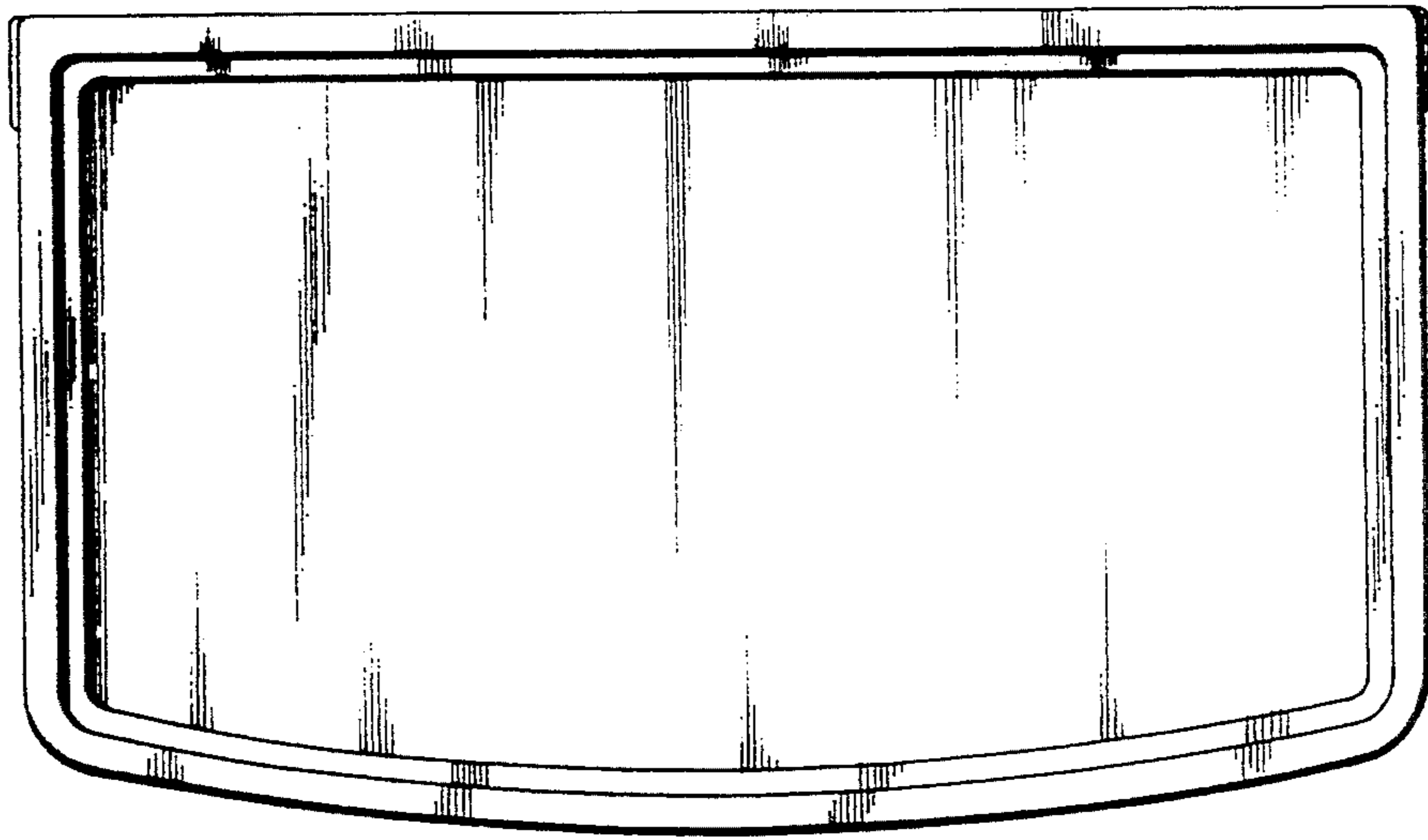


FIG. 5

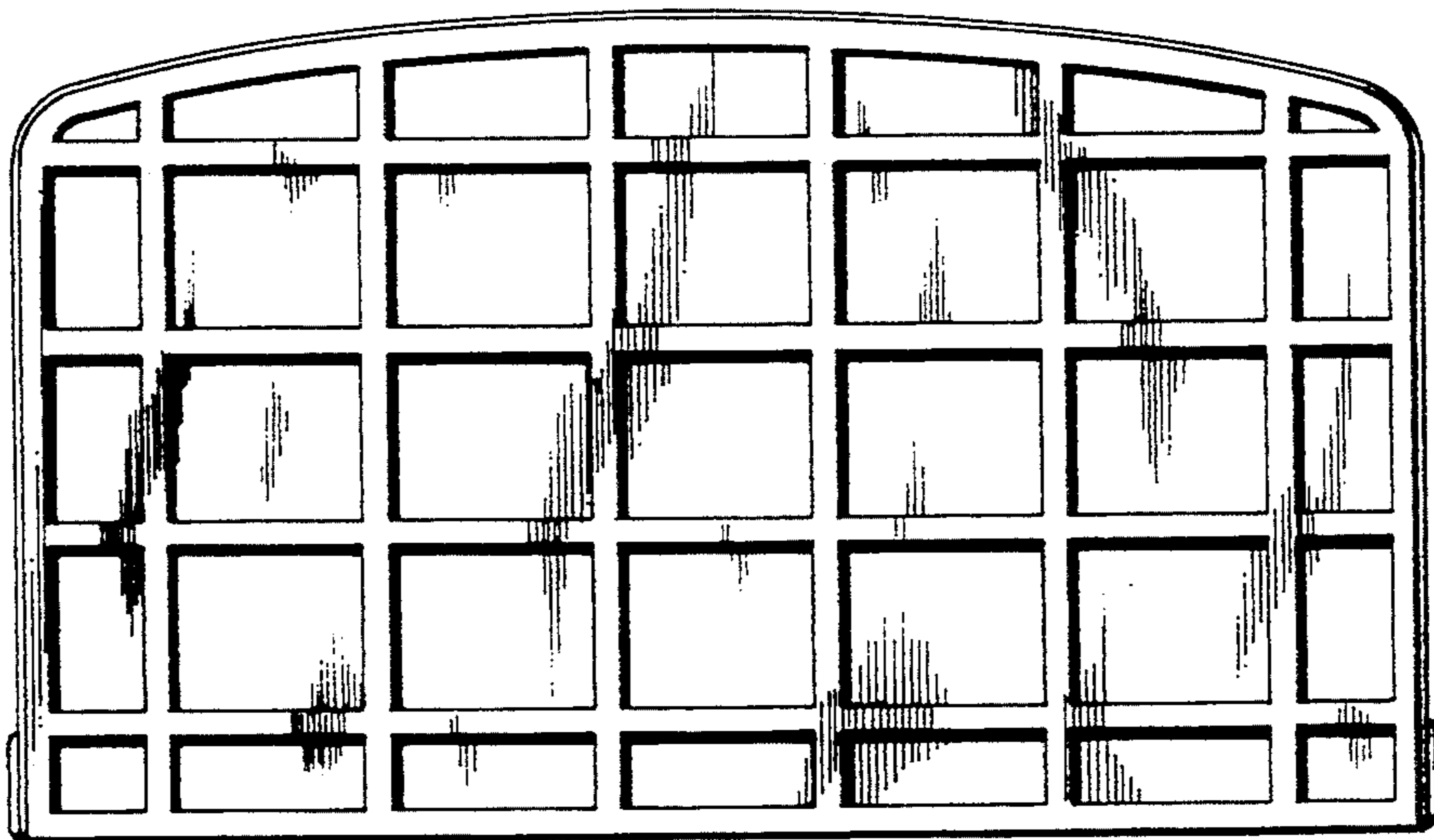


FIG. 6

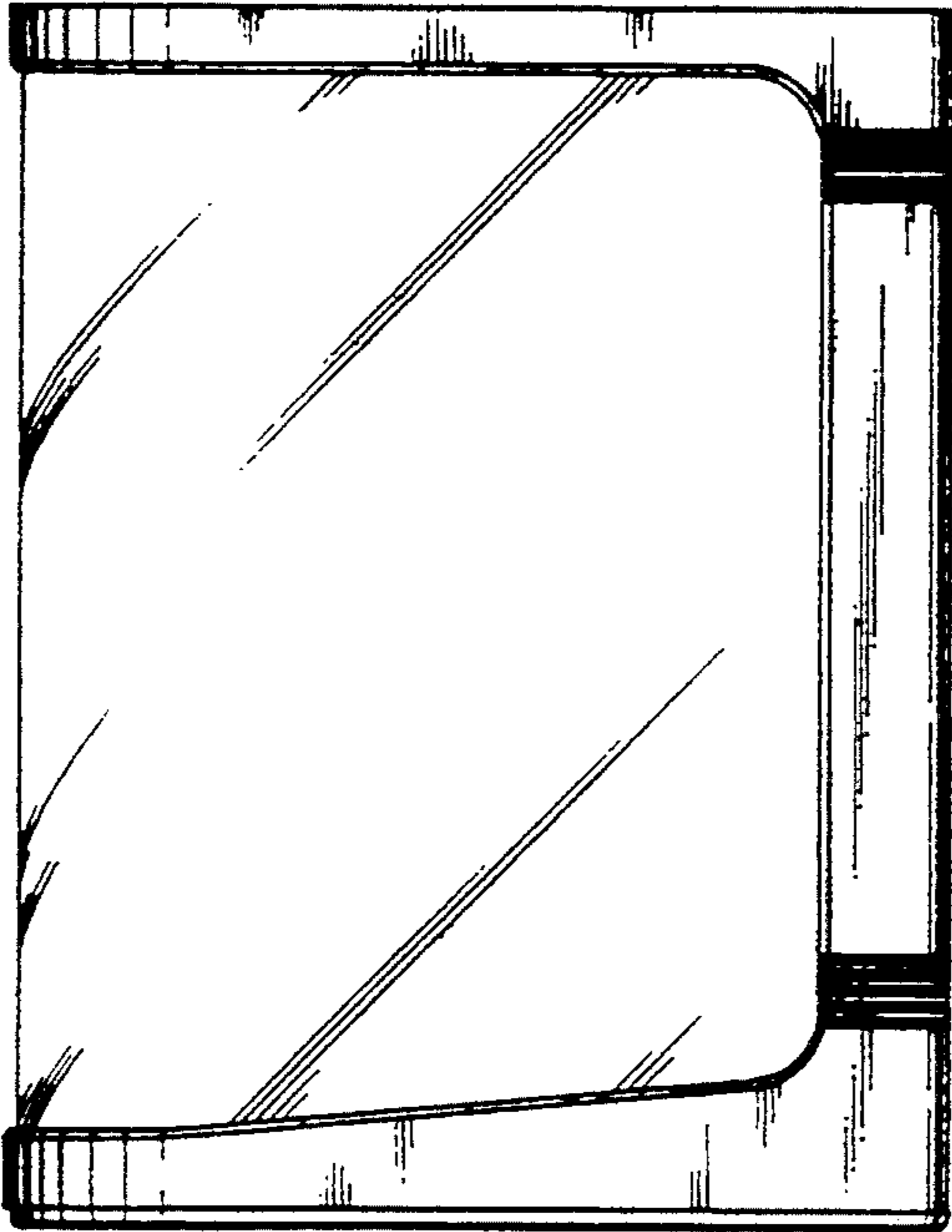


FIG. 7

