



US00D361161S

United States Patent [19]

[11] Patent Number: **Des. 361,161**

Dama

[45] Date of Patent: **** Aug. 8, 1995**

[54] **KNEE PROTECTOR**

5,168,577 12/1992 Detty 2/24
5,170,503 12/1992 Hightower, Jr. et al. D29/10

[76] Inventor: **Jane Dama**, 3602 N. Meridian Rd.,
Tallahassee, Fla. 32312-1206

OTHER PUBLICATIONS

The Perfectly Safe Catalog, Perfectly Safe Inc. Copy-
right 1991, p. 16, SofKnees.

[**] Term: **14 Years**

Primary Examiner—Ruth McInroy
Attorney, Agent, or Firm—Franklin J. Cona

[21] Appl. No.: **409**

[22] Filed: **Oct. 14, 1992**

[52] U.S. Cl. **D29/121; D29/120**

[58] Field of Search D29/10, 20;
D24/189-190, 192; 2/16, 22, 24

[57] **CLAIM**

The ornamental design for a knee protector, as shown
and described.

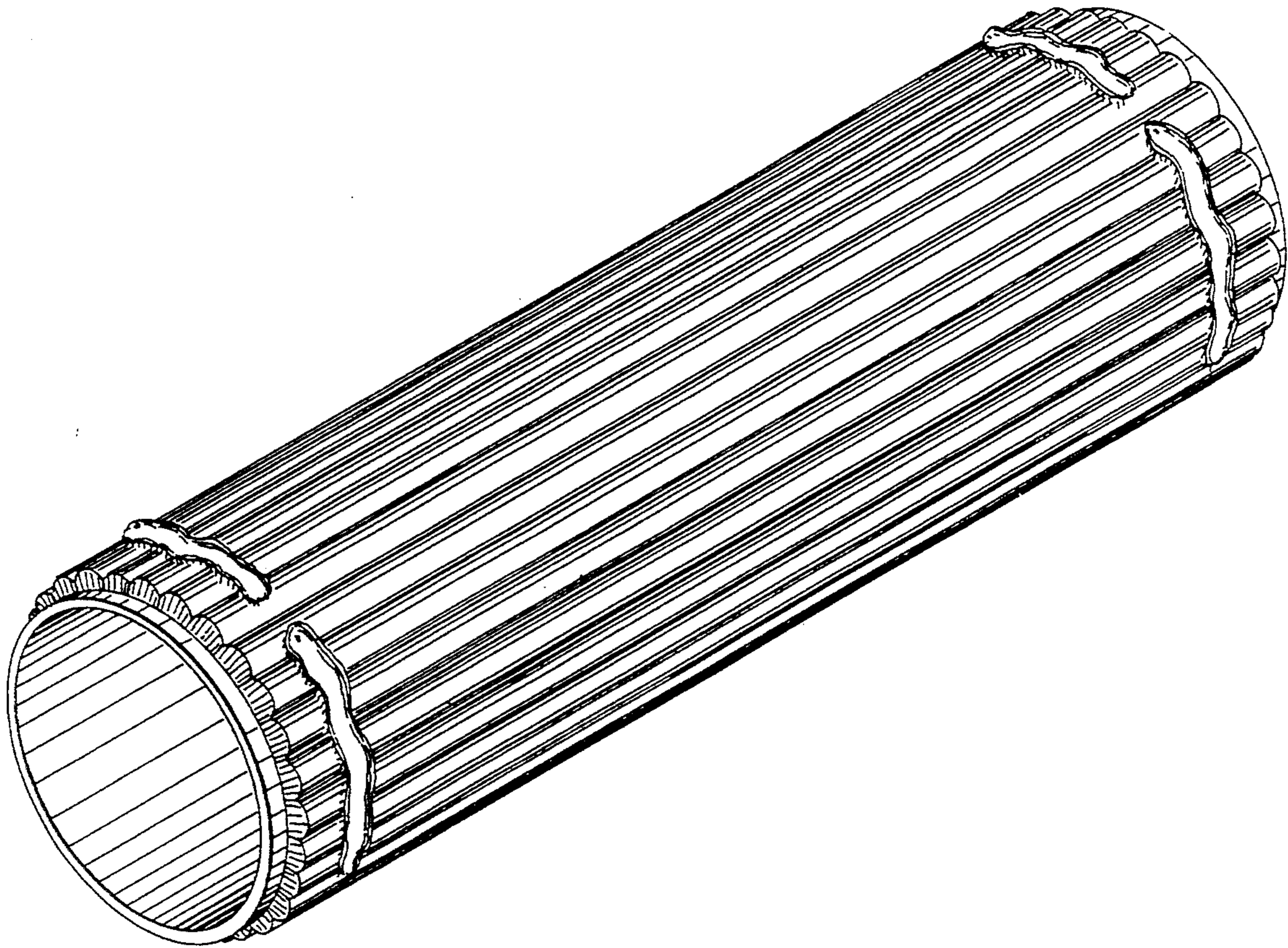
[56] **References Cited**

DESCRIPTION

U.S. PATENT DOCUMENTS

D. 249,596	9/1978	Rule	D29/10
D. 256,176	8/1980	Rule	D29/10
D. 272,105	1/1984	Dryzal	D29/20
D. 331,801	12/1992	Shiono	D29/10
D. 331,802	12/1992	Shiono	D29/10
D. 331,803	12/1992	Shiono	D29/10
D. 331,804	12/1992	Shiono	D29/10
D. 331,805	12/1992	Shiono	D29/10
D. 341,229	11/1993	Tsujino	D29/10

FIG. 1 is a perspective view of a knee protector showing my new design;
FIG. 2 is a reduced top plan view thereof;
FIG. 3 is a reduced bottom plan view thereof;
FIG. 4 is a reduced front elevational view thereof;
FIG. 5 is a reduced side elevational view thereof; and,
FIG. 6 is a reduced rear elevational view thereof.
The callouts shown in FIGS. 2-6 indicate areas which are yellow, brown, blue and red.



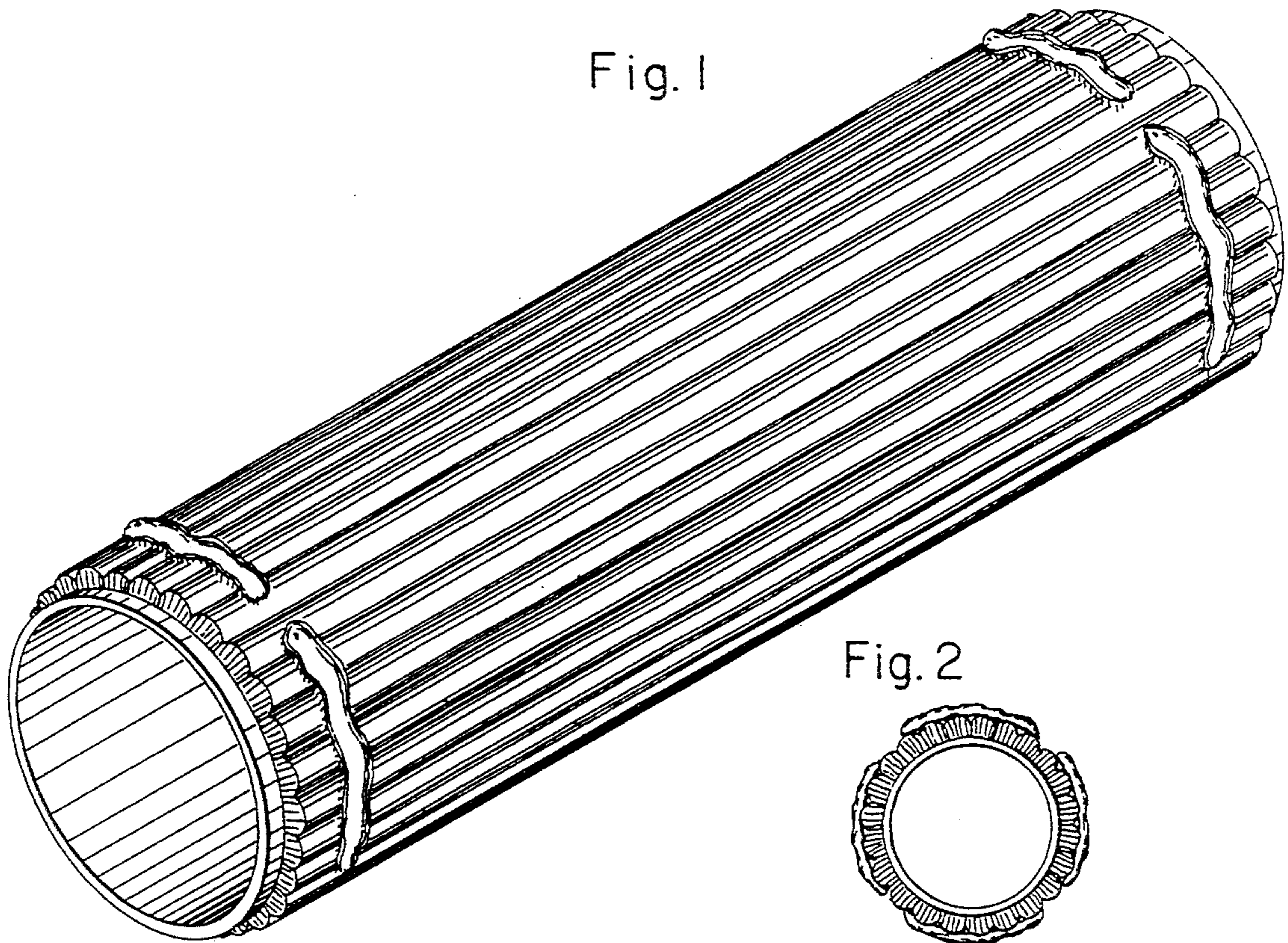


Fig. 2

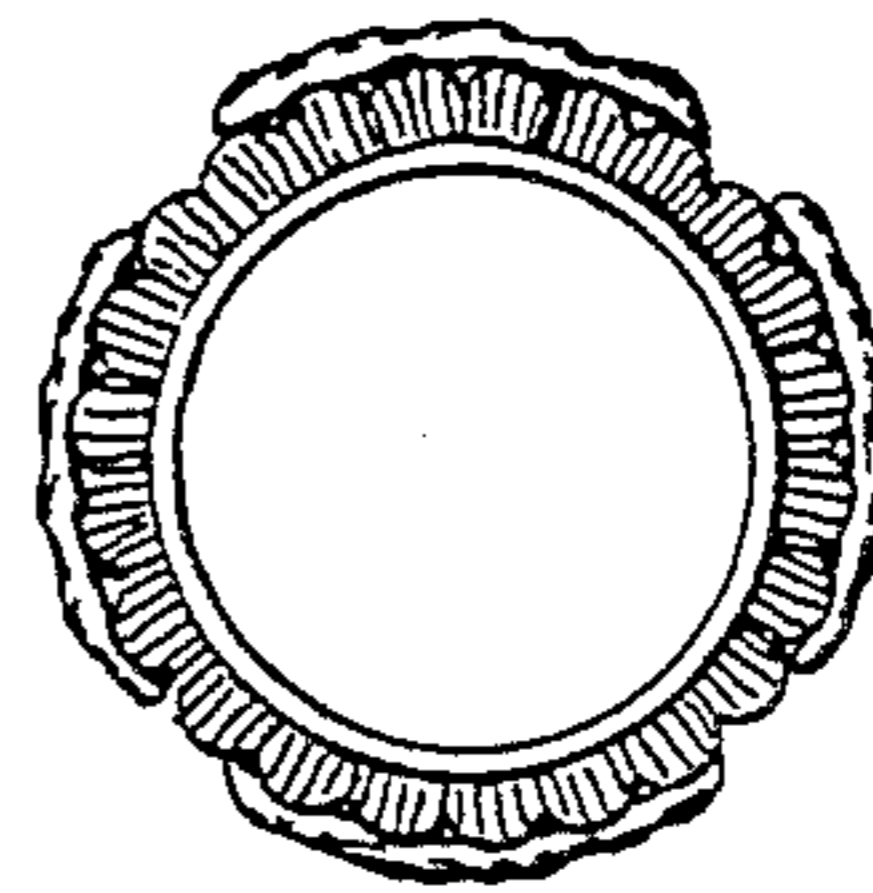


Fig. 3

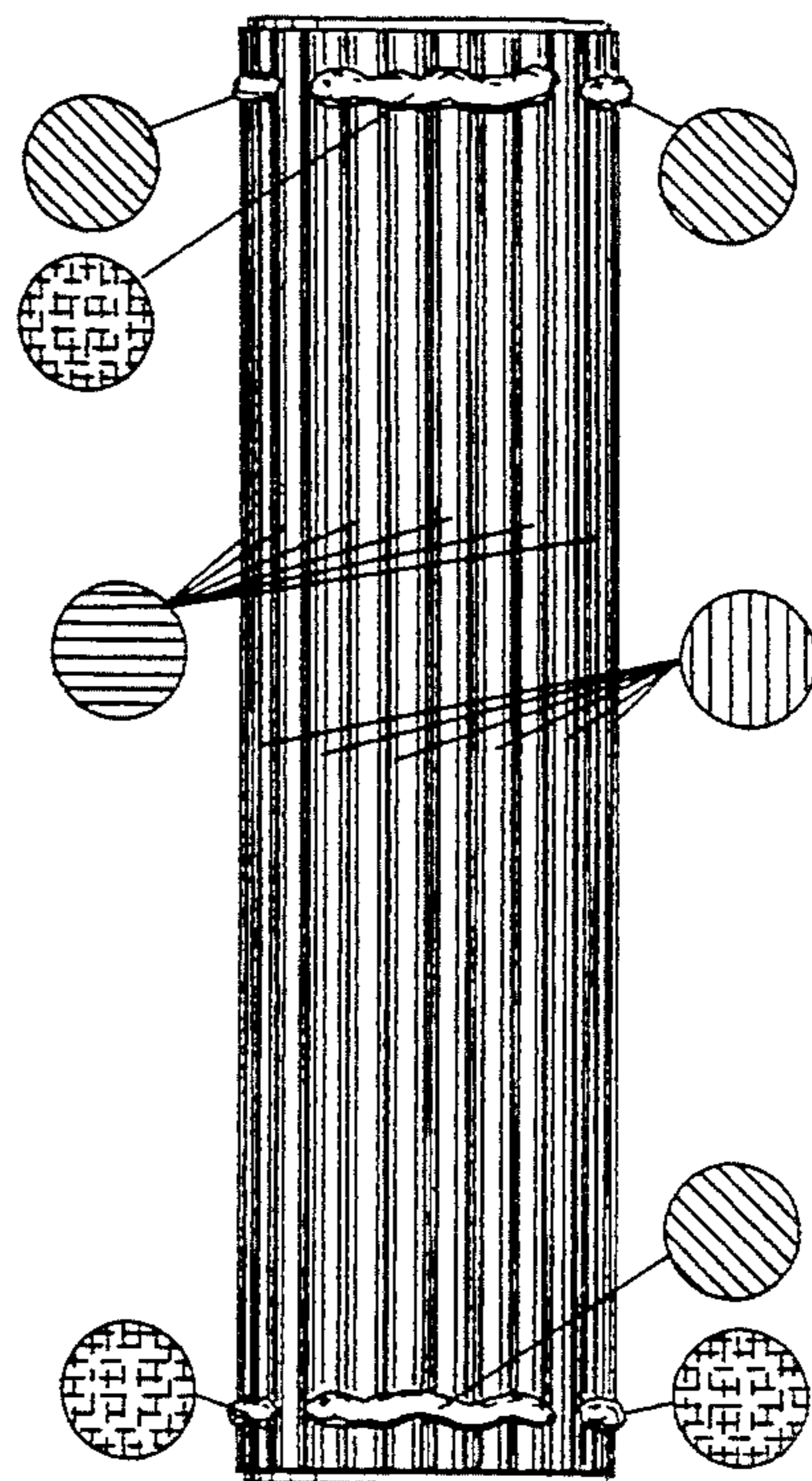


Fig. 6

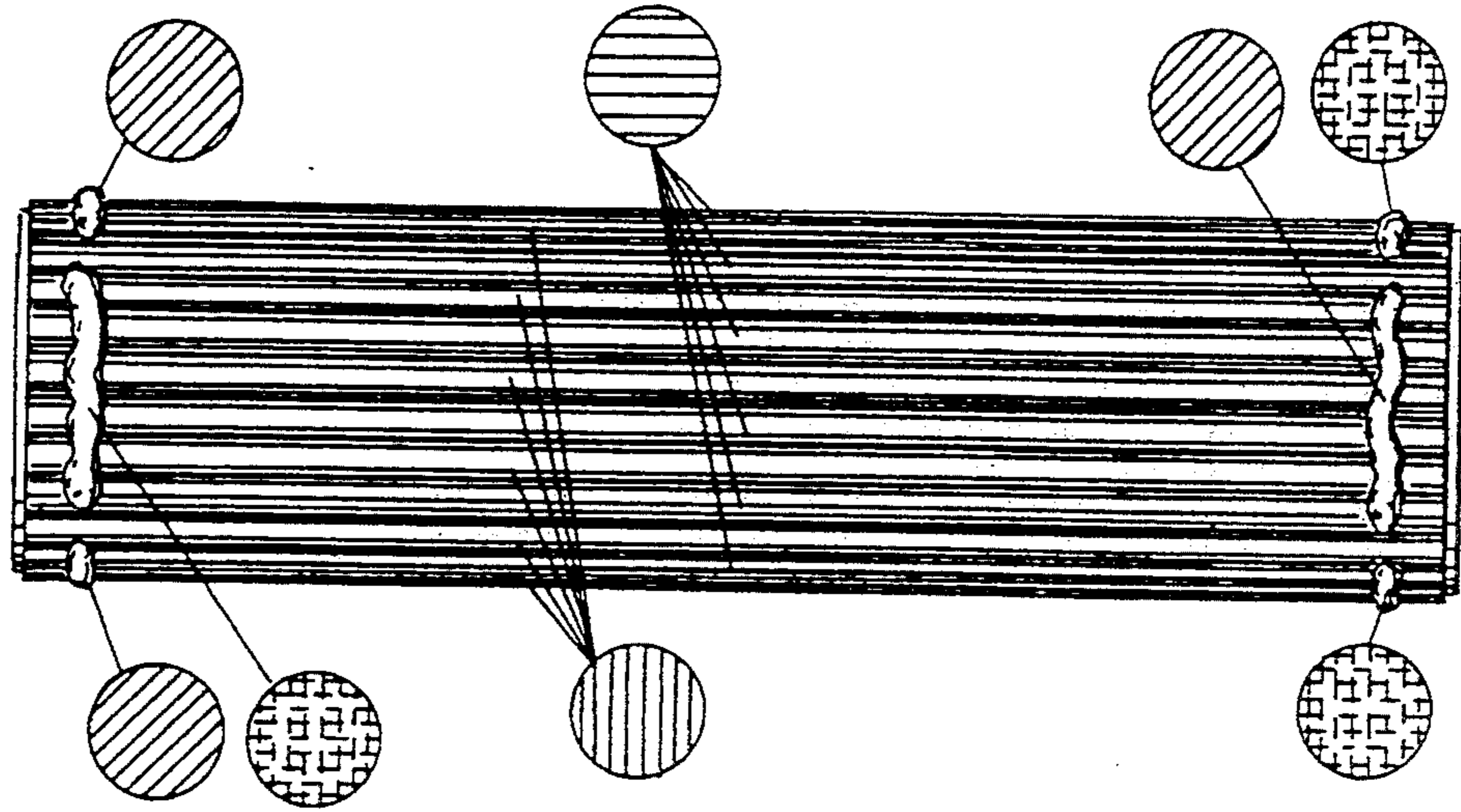


Fig. 5

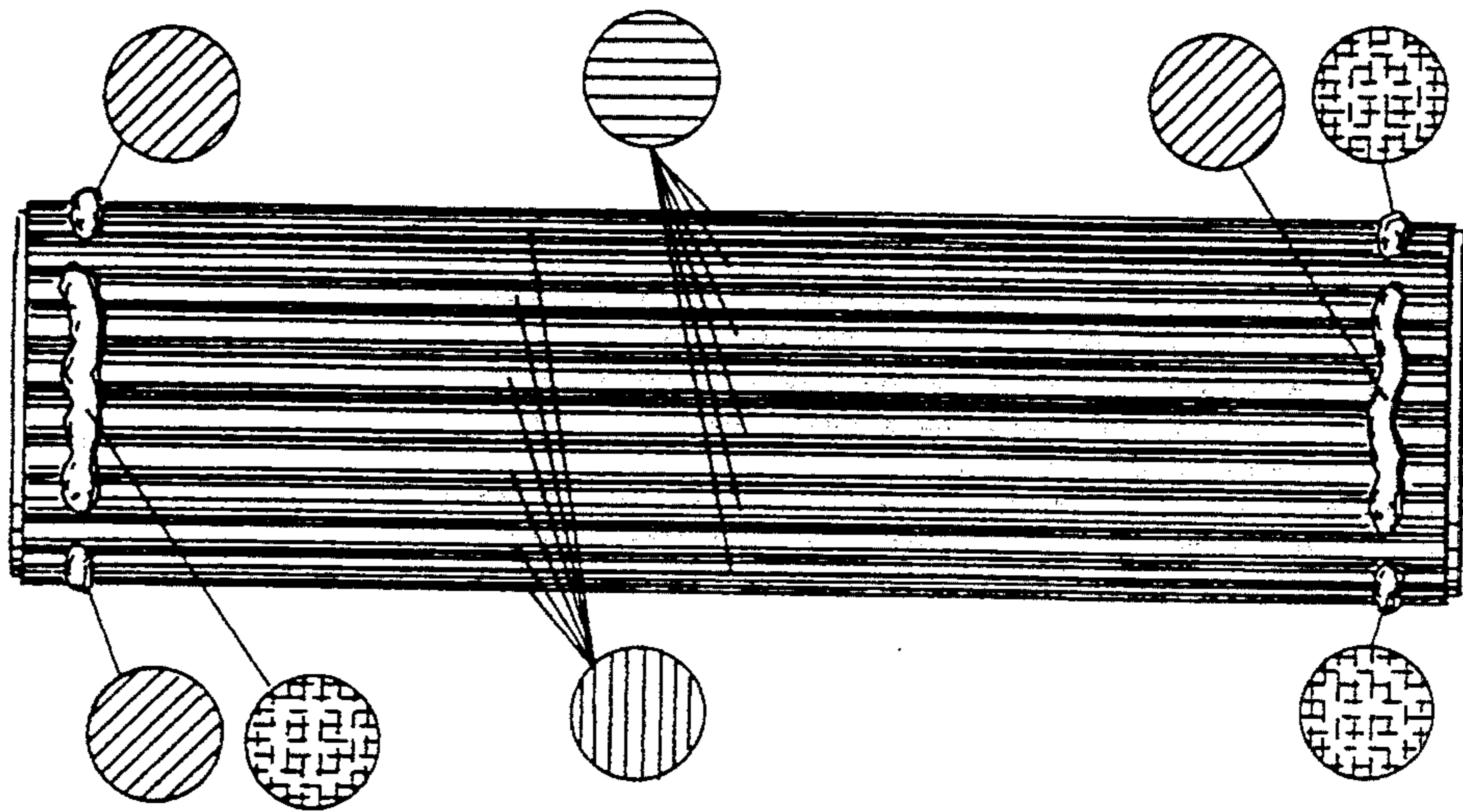


Fig. 4

