



US00D361160S

# United States Patent [19]

[11] Patent Number: **Des. 361,160**

Russell

[45] Date of Patent: **\*\* Aug. 8, 1995**

[54] **FACE PROTECTOR WITH PIVOTING FACE SHIELD AND STOP**

[56] **References Cited**

### U.S. PATENT DOCUMENTS

[75] Inventor: **John P. Russell**, Center Point, Ala.

D. 349,177	7/1994	Russell	.....	D29/110
D. 349,178	7/1994	Russell	.....	D29/110
5,337,419	8/1994	Russell	.....	2/206

[73] Assignee: **Infection Control Products, Inc.**, Gardendale, Ala.

*Primary Examiner*—Ruth McInroy  
*Attorney, Agent, or Firm*—George A. Bode

[\*\*] Term: **14 Years**

### [57] CLAIM

[21] Appl. No.: **12,577**

The ornamental design for a face protector with pivoting face shield and stop, as shown and described.

[22] Filed: **Sep. 7, 1993**

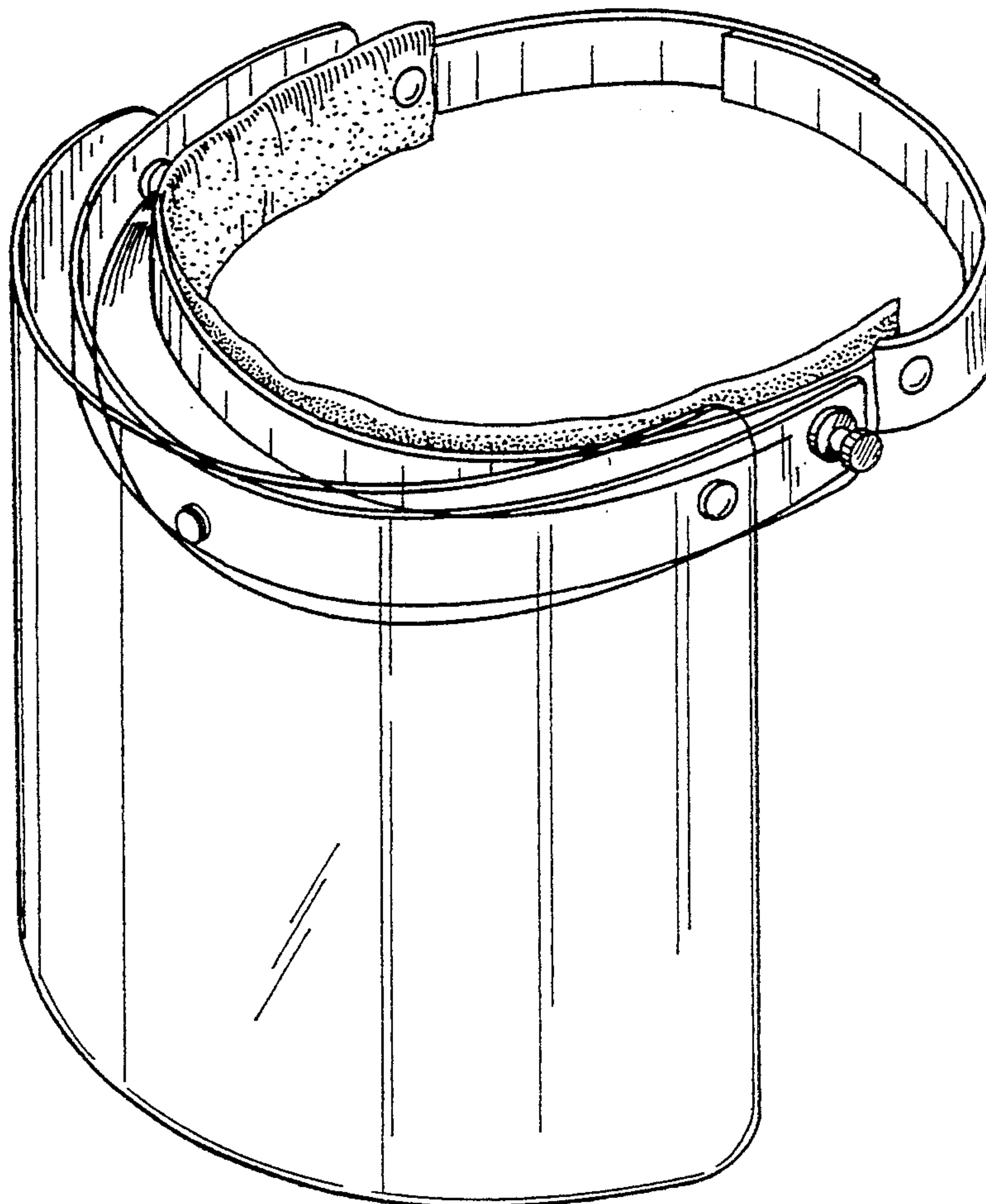
### DESCRIPTION

#### Related U.S. Application Data

[63] Continuation-in-part of Ser. No. 933,510, Aug. 24, 1992, and a continuation-in-part of Ser. No. 933,522, Aug. 24, 1992.

FIG. 1 is a top plan view of a face protector with pivoting face shield and stop showing my new design;  
 FIG. 2 is a right side elevational view thereof, the head shown in broken lines is for illustrative purposes only and forms no part of the claimed design;  
 FIG. 3 is a front elevational view thereof;  
 FIG. 4 is a bottom plan view thereof;  
 FIG. 5 is a rear elevational view thereof;  
 FIG. 6 is a top frontal perspective view thereof; and,  
 FIG. 7 is an exploded top frontal perspective view thereof.

[52] U.S. Cl. .... **D29/110**  
 [58] Field of Search ..... D29/108-111,  
 D29/122; 2/2, 424  $\alpha$  425, 427, 9-10, 206, 422,  
 418



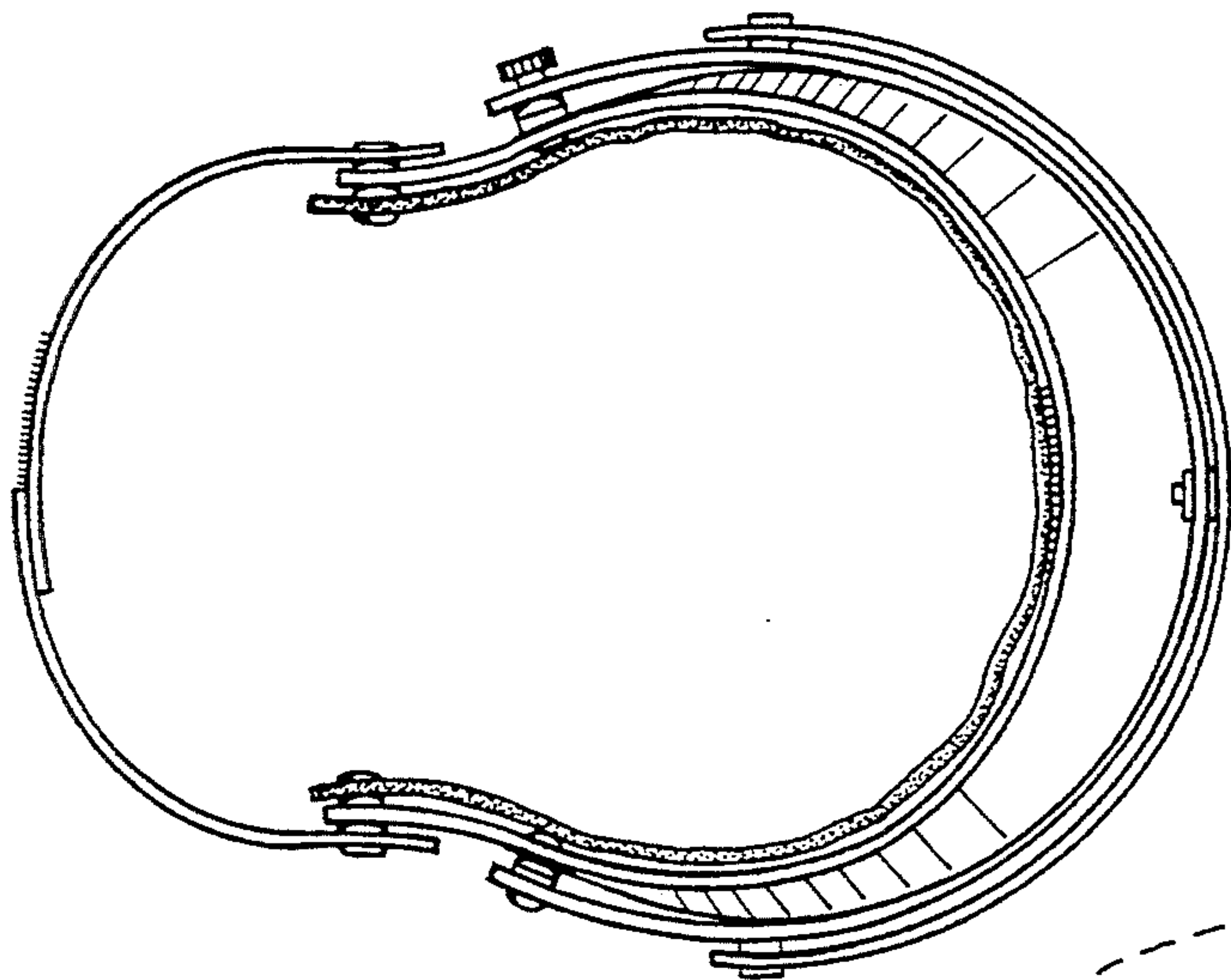


FIG. 1

FIG. 2

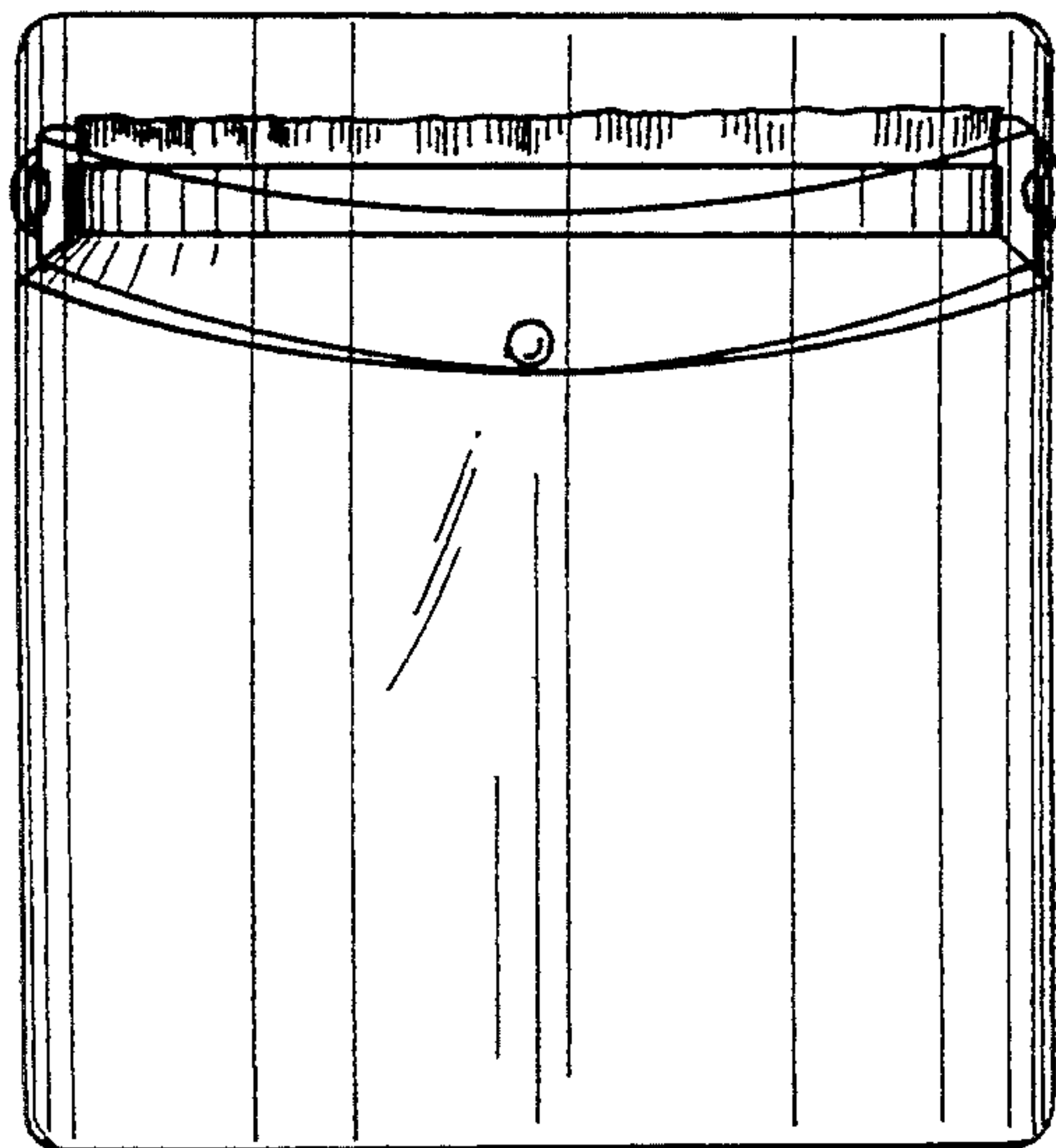
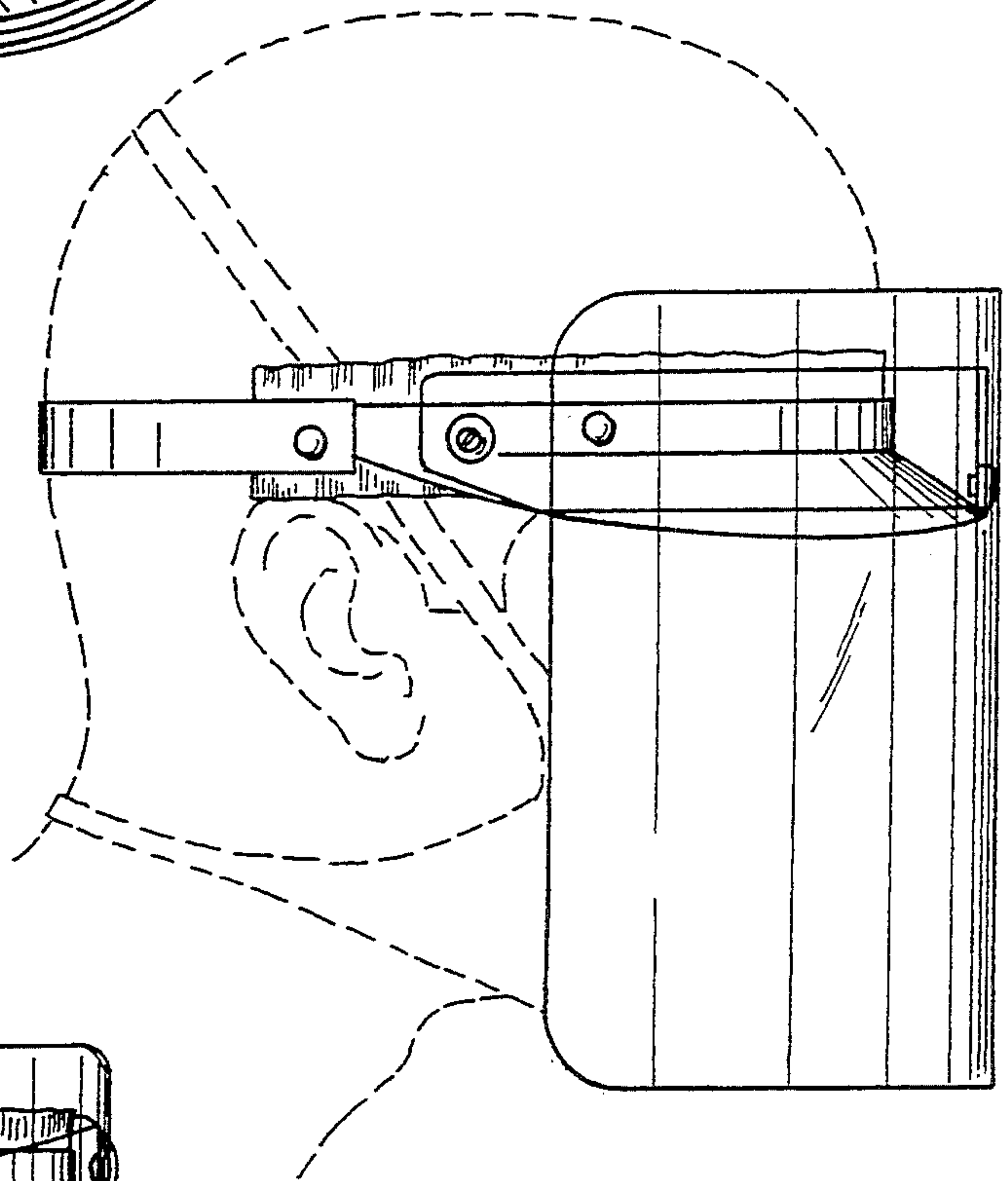


FIG. 3

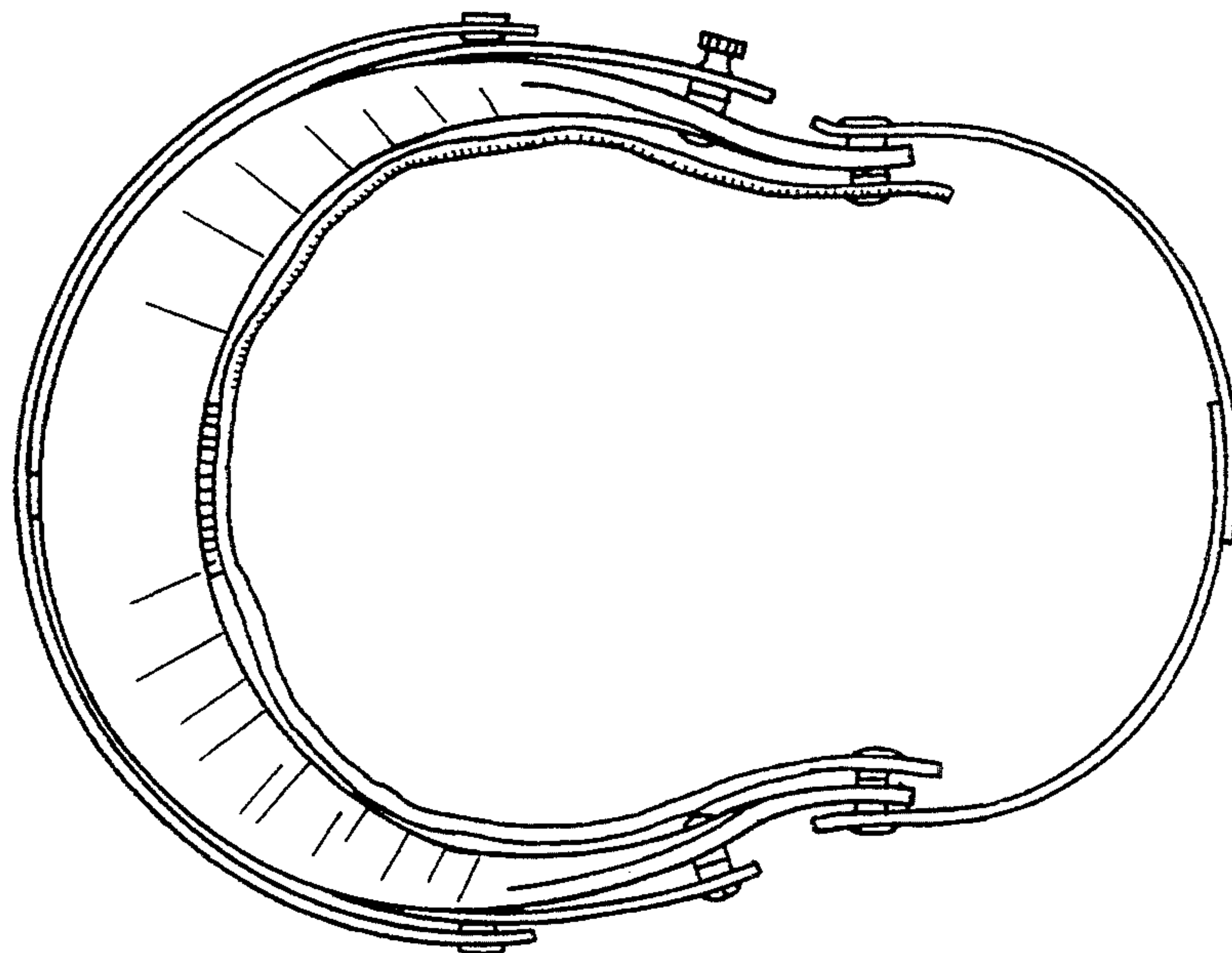


FIG. 4

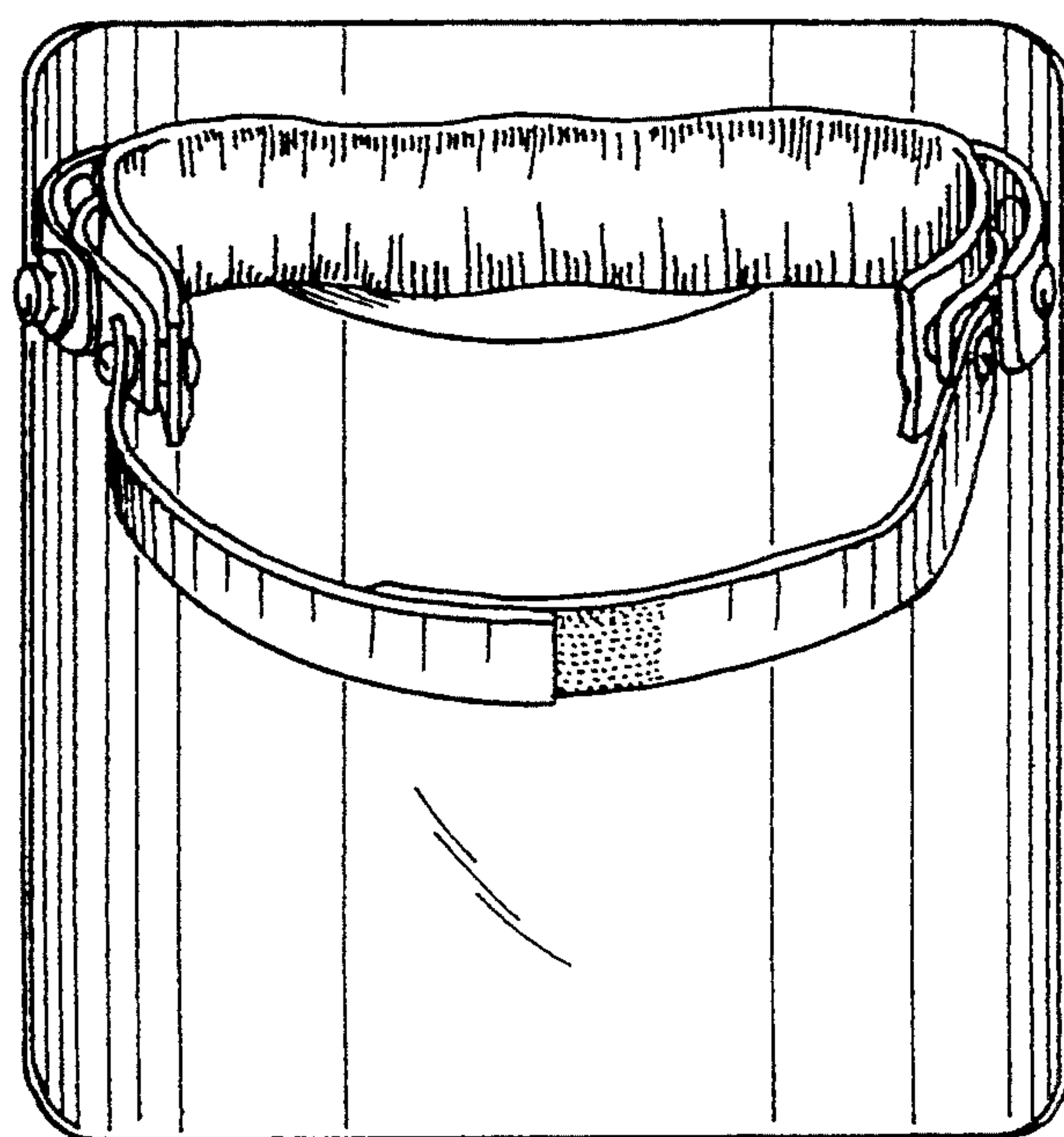


FIG. 5



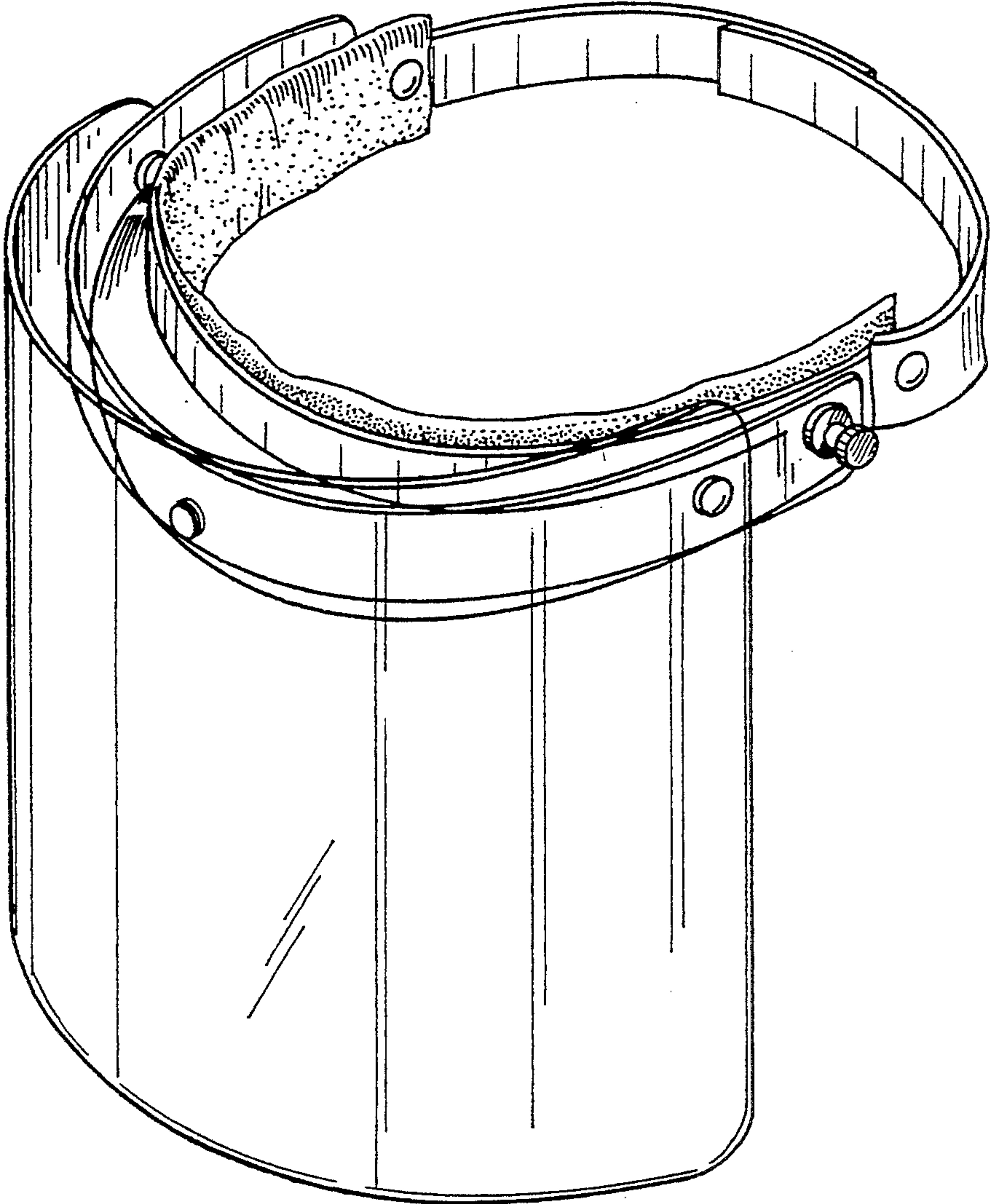


FIG. 6

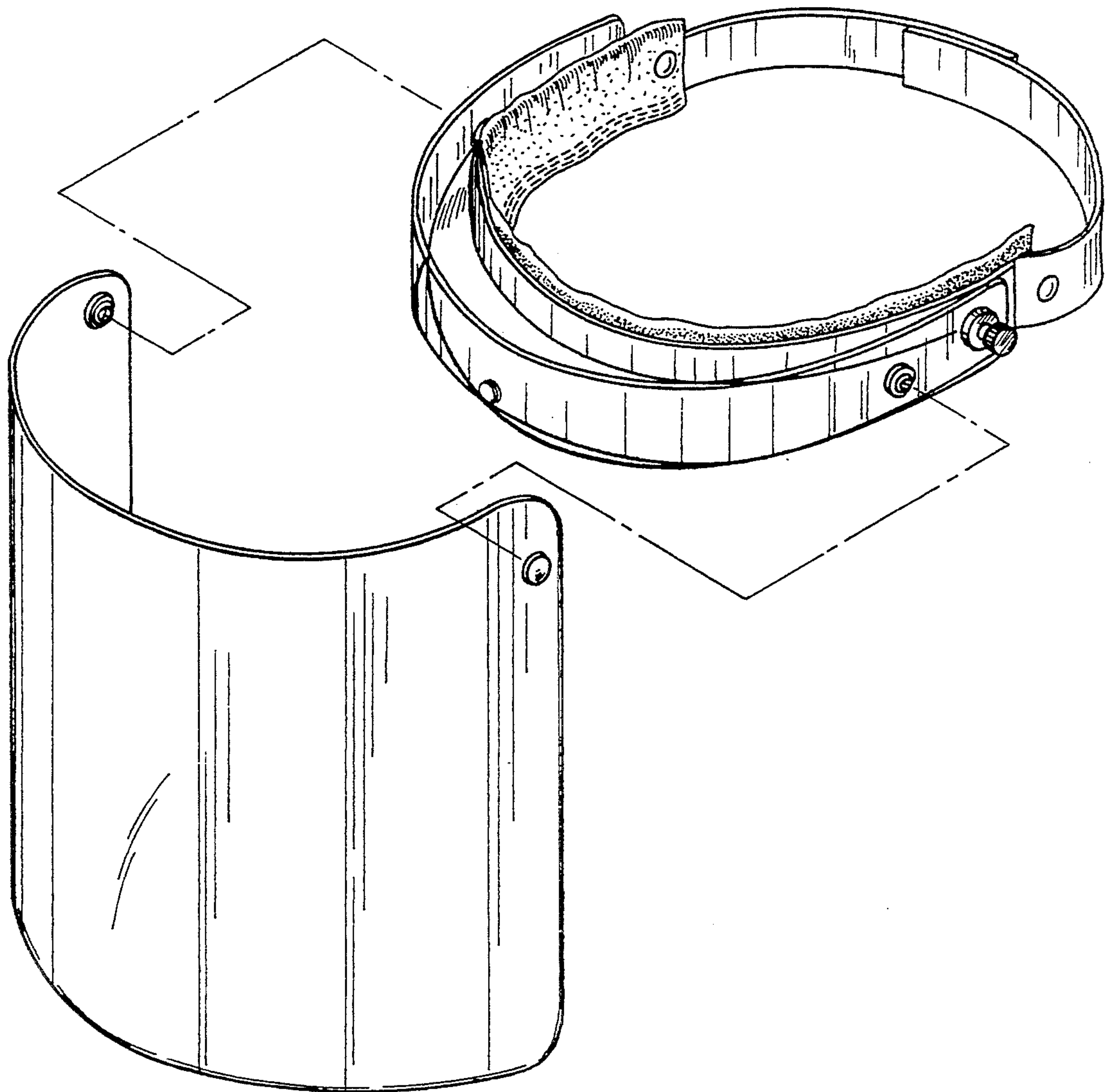


FIG. 7