



US00D361158S

# United States Patent [19]

[11] Patent Number: **Des. 361,158**

Tipp

[45] Date of Patent: **\*\* Aug. 8, 1995**

[54] **COMBINED DENTAL PICK AND SHEATH**

[57] **CLAIM**

[76] Inventor: **Raymond P. Tipp**, P.O. Box 3778,  
Missoula, Mont. 59806

The ornamental design of a combined dental pick and sheath, as shown and described.

[\*\*] Term: **14 Years**

### DESCRIPTION

[21] Appl. No.: **20,184**

FIG. 1 is a perspective view of my new design for a combined dental pick and its sheath;

[22] Filed: **May 17, 1994**

FIG. 2 is a right side elevational view of the sheath portion, which is shown separately for clarity of illustration;

[52] U.S. Cl. .... **D28/64**

FIG. 3 is a left side elevational view of the dental pick, which is shown separately for clarity of illustration, the right side is a mirror image;

[58] Field of Search ..... **D28/64; 132/321-329**

FIG. 4 is a top plan view of the dental pick, the bottom view is identical;

[56] **References Cited**

#### U.S. PATENT DOCUMENTS

D. 345,629	3/1994	Tipp	.....	D28/64
D. 350,415	9/1994	Wagner	.....	D28/64
2,510,194	6/1950	Thomas	.....	132/328
4,326,548	4/1982	Wagner	.....	132/328

FIG. 5 is a top plan view of the sheath, the bottom view is identical;

FIG. 6 is a bottom end elevational view of the sheath; FIG. 7 is a bottom end elevational view of the dental pick;

*Primary Examiner*—Kay H. Chin

FIG. 8 is a top end elevational view of the dental pick; FIG. 9 is a top end elevational view of the sheath; and, FIG. 10 is an exploded perspective view of the combined dental pick and sheath.

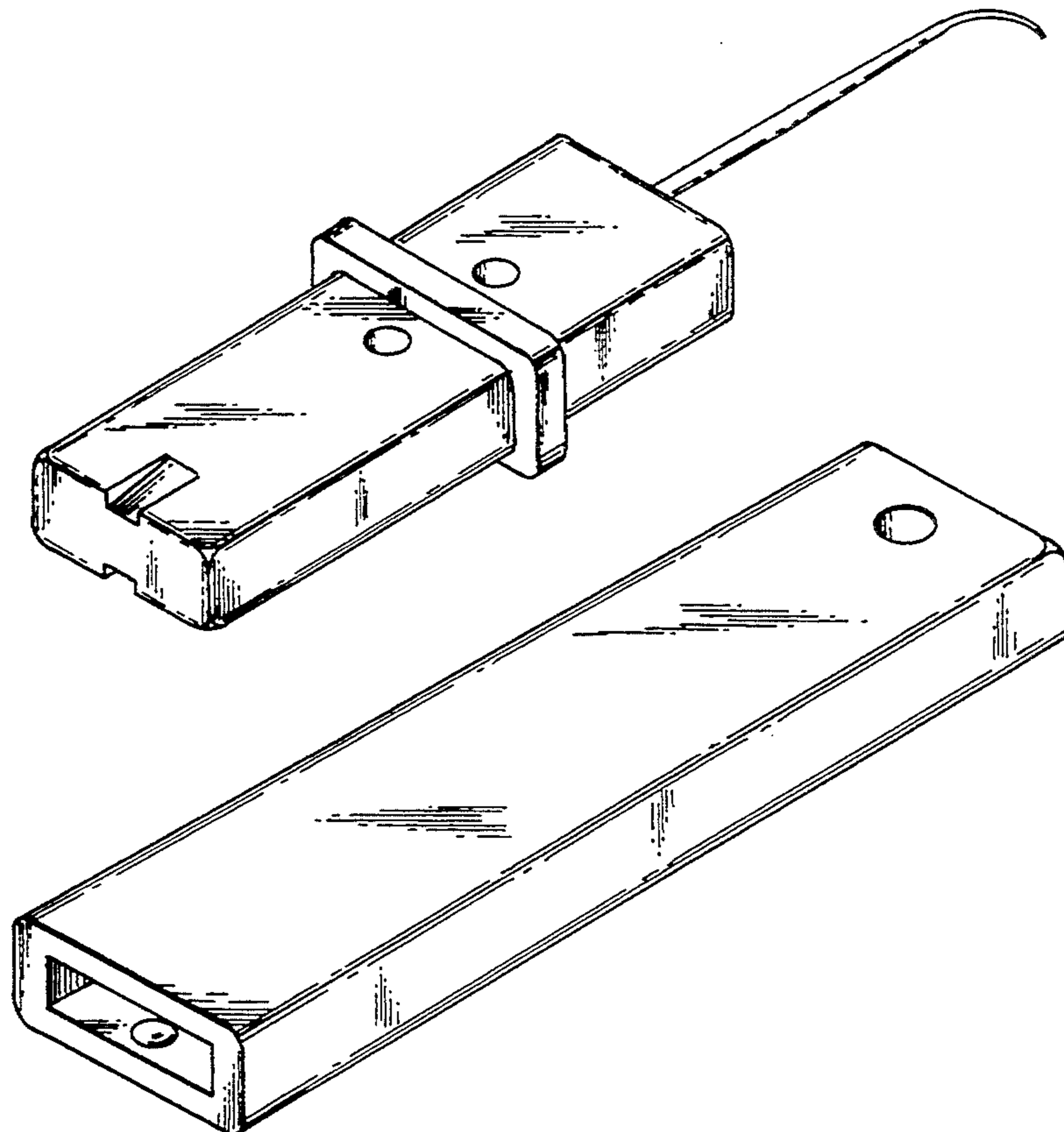


FIG. 1

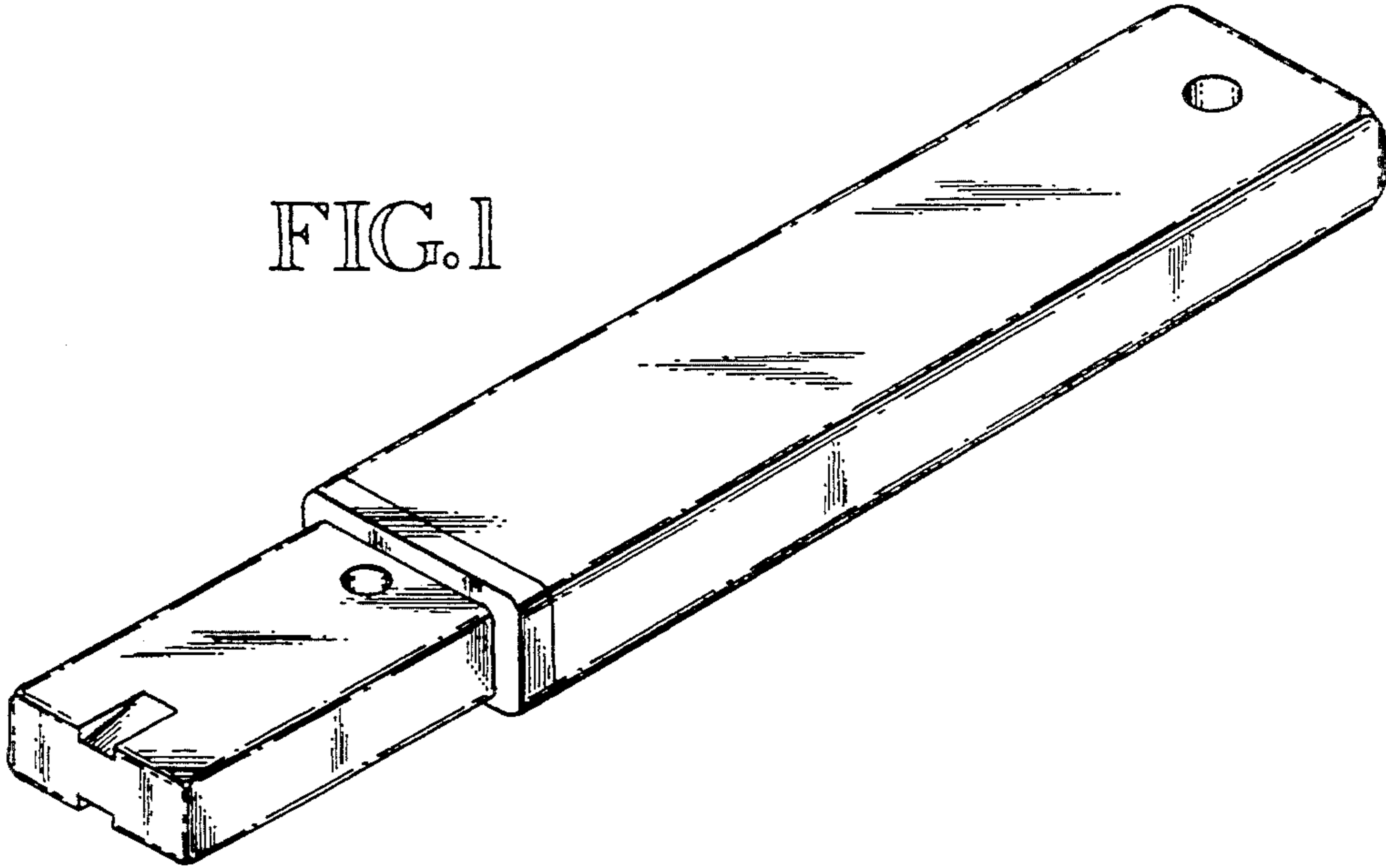


FIG. 2

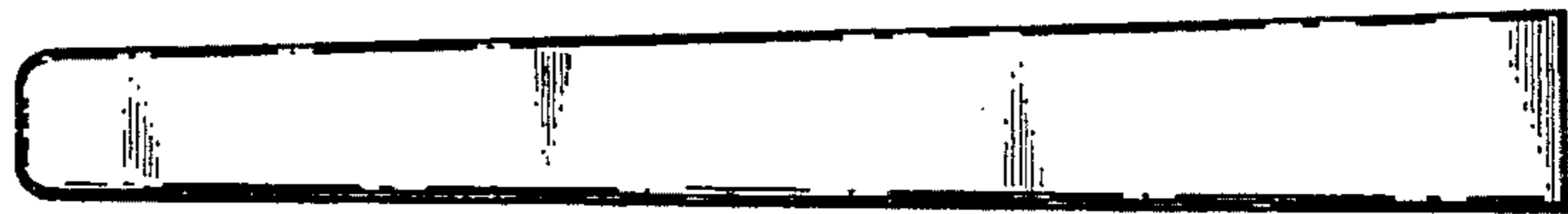


FIG. 3



FIG. 4

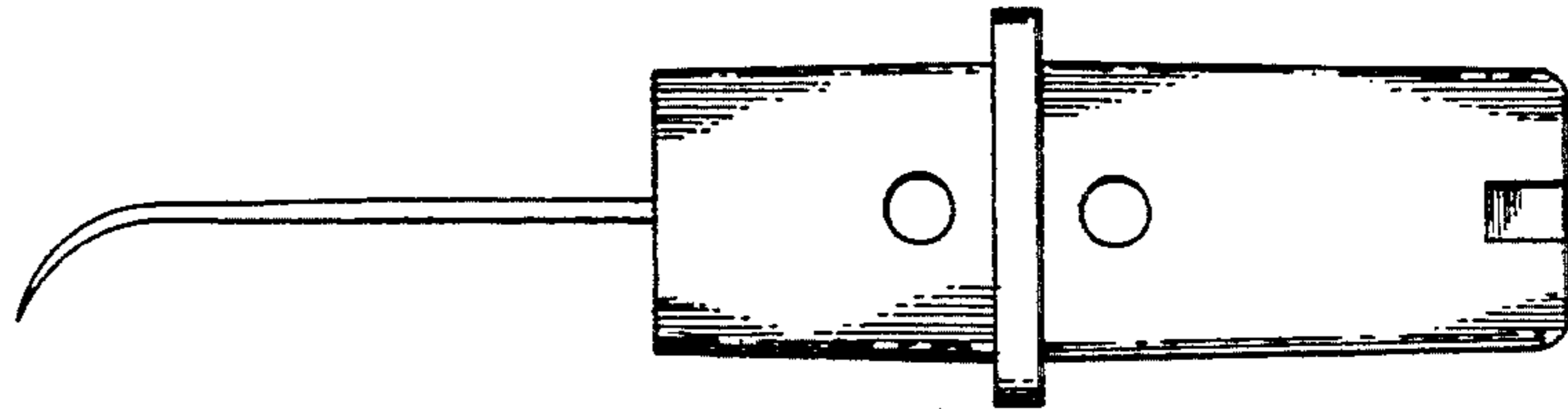


FIG. 5

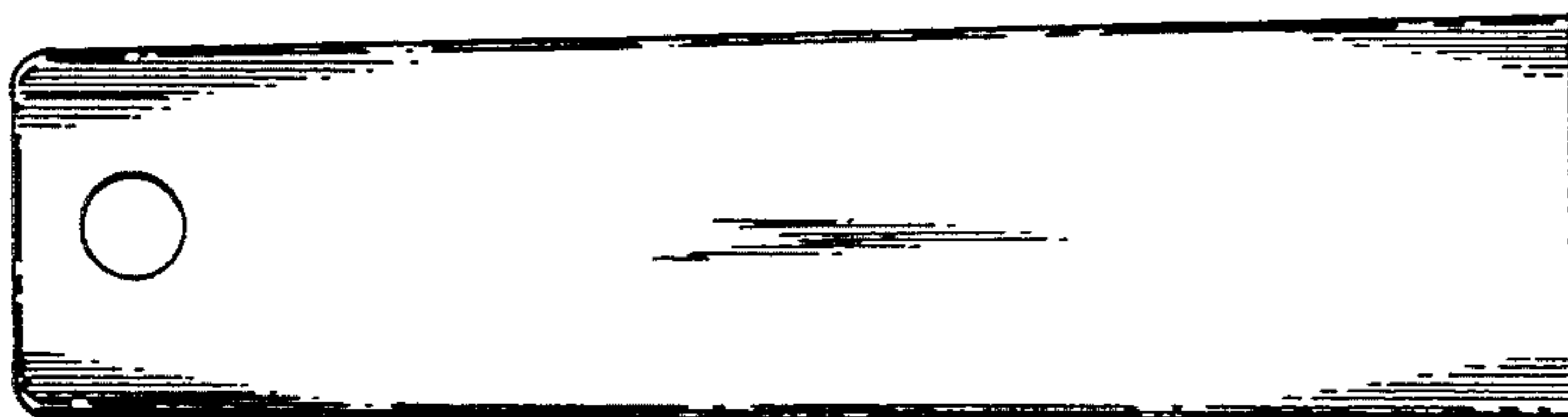


FIG. 6

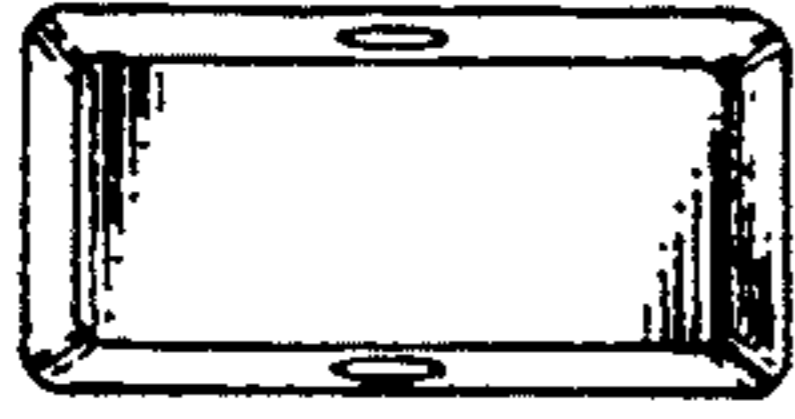


FIG. 7

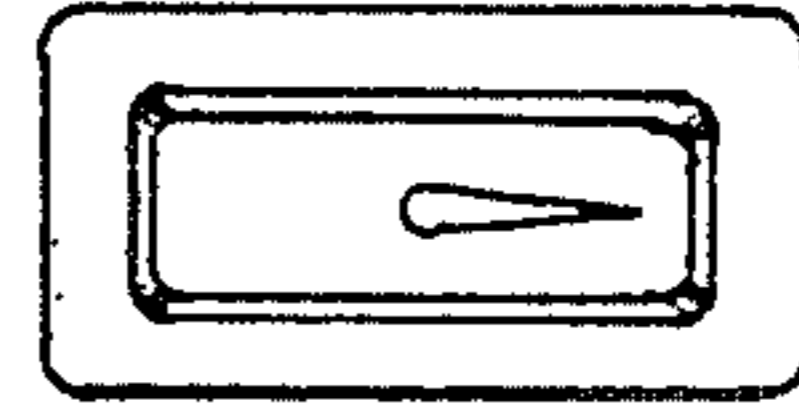


FIG. 8



FIG. 9



FIG. 10

