



US00D361154S

# United States Patent [19]

[11] Patent Number: **Des. 361,154**

**Makinen**

[45] Date of Patent: **\*\* Aug. 8, 1995**

[54] **ODORLESS ASHTRAY**

[76] Inventor: **Mikko W. Makinen**, 1304 W. Indies Way Apt. 8E, Palm Beach, Fla. 33462

[\*\*] Term: **14 Years**

[21] Appl. No.: **18,264**

[22] Filed: **Feb. 2, 1994**

*Primary Examiner*—Ruth McInroy  
*Assistant Examiner*—Monica A. Hannon  
*Attorney, Agent, or Firm*—Malin, Haley, DiMaggio & Crosby

[57] **CLAIM**

The ornamental design for an odorless ashtray, as shown and described.

**DESCRIPTION**

FIG. 1 is a view in perspective of the odorless ashtray, showing my new design;  
FIG. 2 is a top plan view thereof;  
FIG. 3 is a bottom plan view thereof;  
FIG. 4 is a side elevational view thereof;  
FIG. 5 is a view in perspective of the base of the odorless ashtray shown in FIG. 1;  
FIG. 6 is a top plan view of the base;  
FIG. 7 is a bottom plan view of the base;  
FIG. 8 is a side elevational view of the base;  
FIG. 9 is a view in perspective of the cover of the odorless ashtray shown in FIG. 1;  
FIG. 10 is a top plan view of the cover;  
FIG. 11 is a bottom plan view of the cover; and,  
FIG. 12 is a side elevational view of the cover.

**Related U.S. Application Data**

[63] Continuation-in-part of Ser. No. 930,752, Aug. 14, 1992, abandoned.

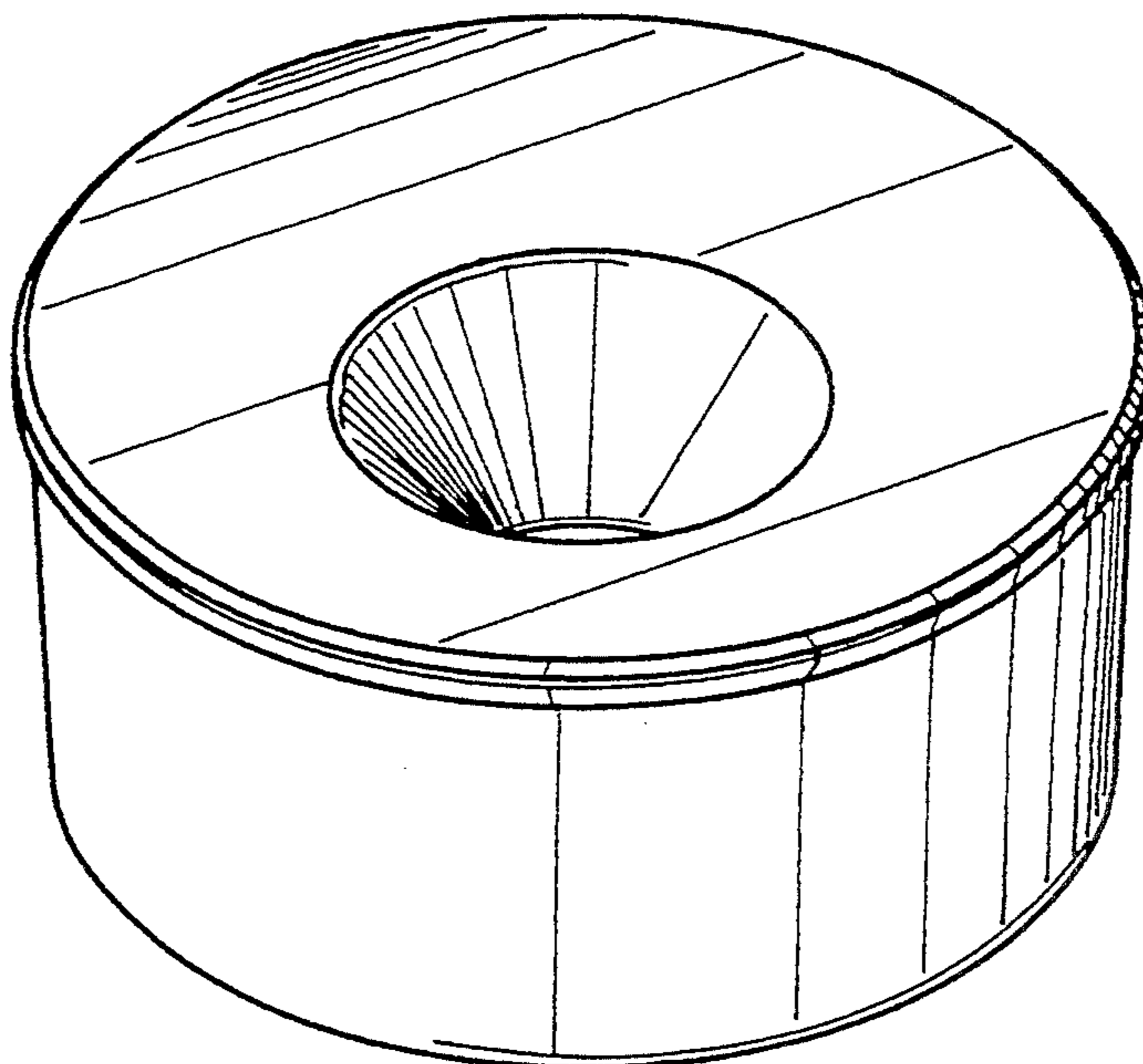
[52] U.S. Cl. .... **D27/135; D27/102**

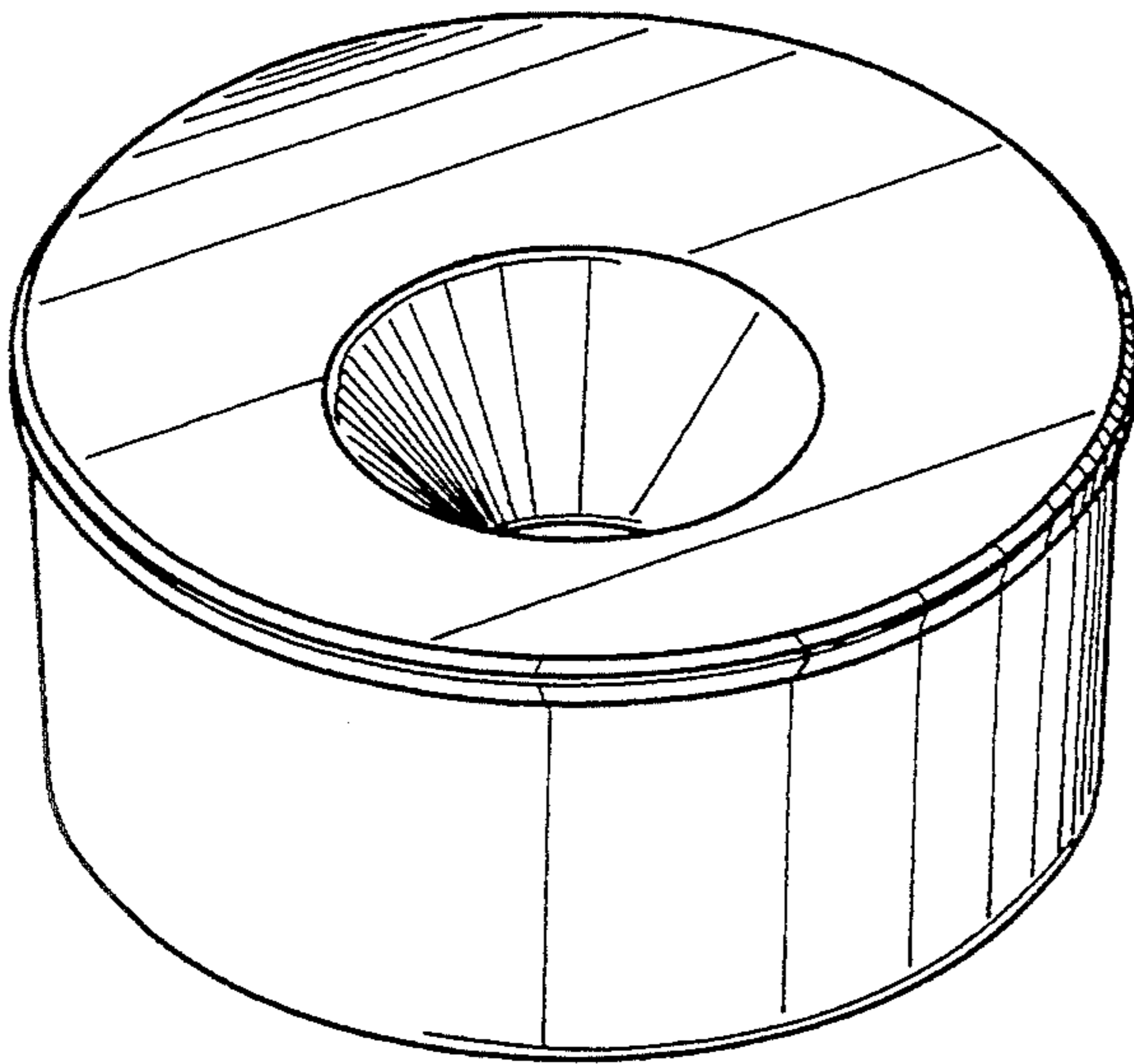
[58] Field of Search ..... **D27/102, 106, 112, 113, D27/117, 133, 134, 135, 138, 147; 131/175, 231, 235.1, 241, 242, 237**

**References Cited**

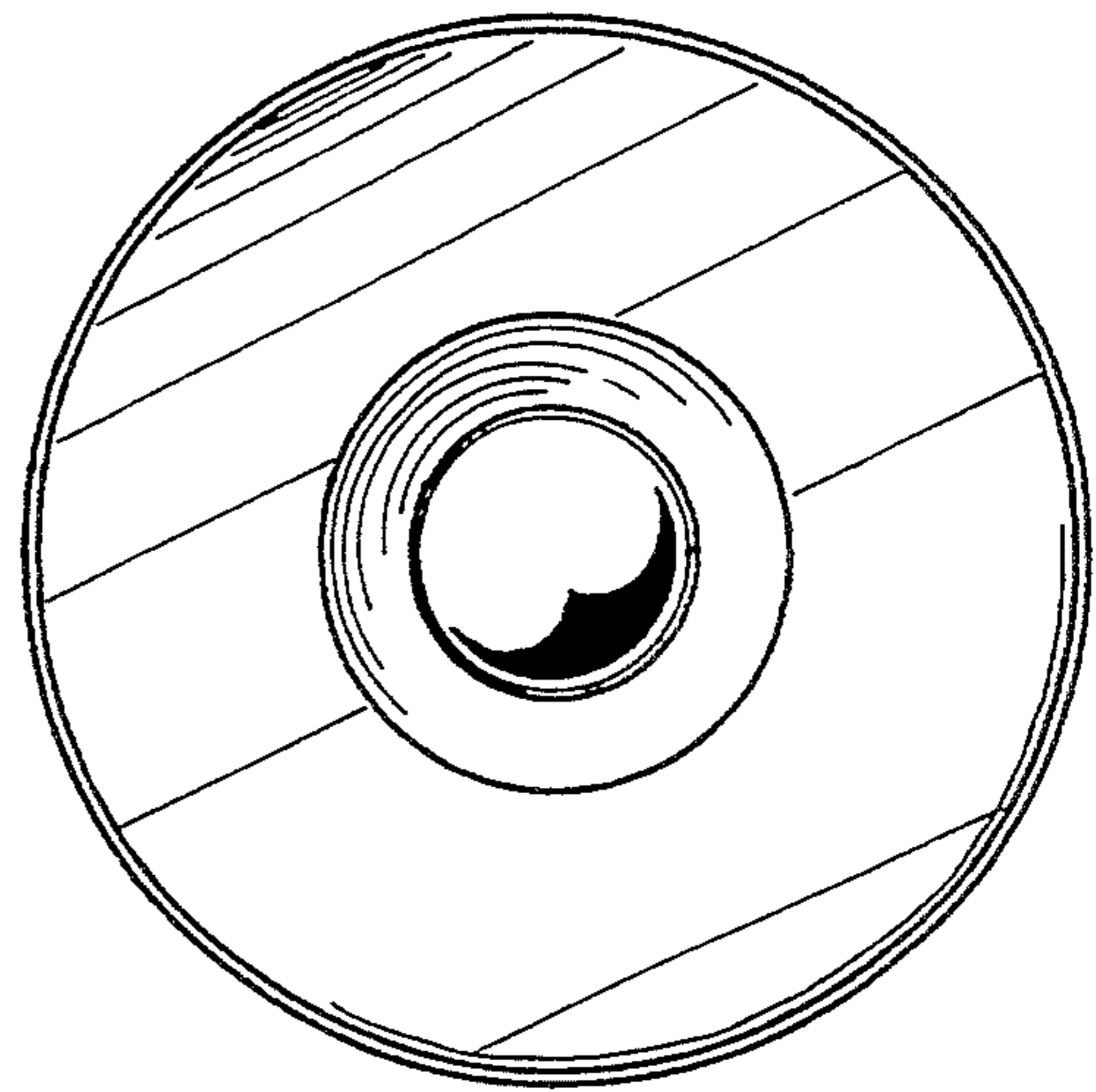
**U.S. PATENT DOCUMENTS**

D. 302,596	8/1989	Wolfenden	.....	D27/133
1,767,476	6/1930	Putterman	.....	131/242
2,595,103	4/1952	Schmaling, Sr.	.....	131/235.1 X
5,345,952	9/1994	Nielander	.....	131/235.1 X

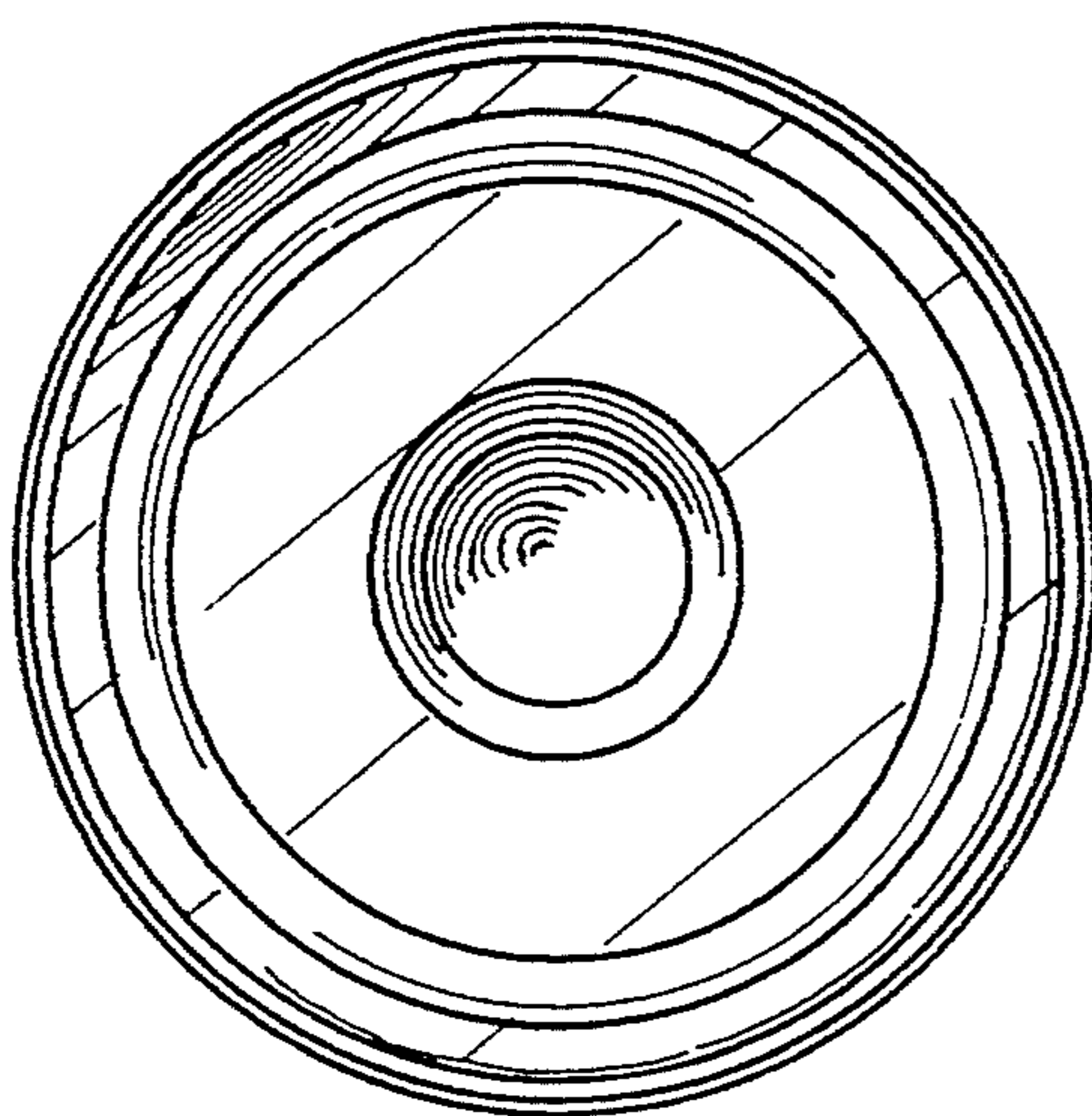




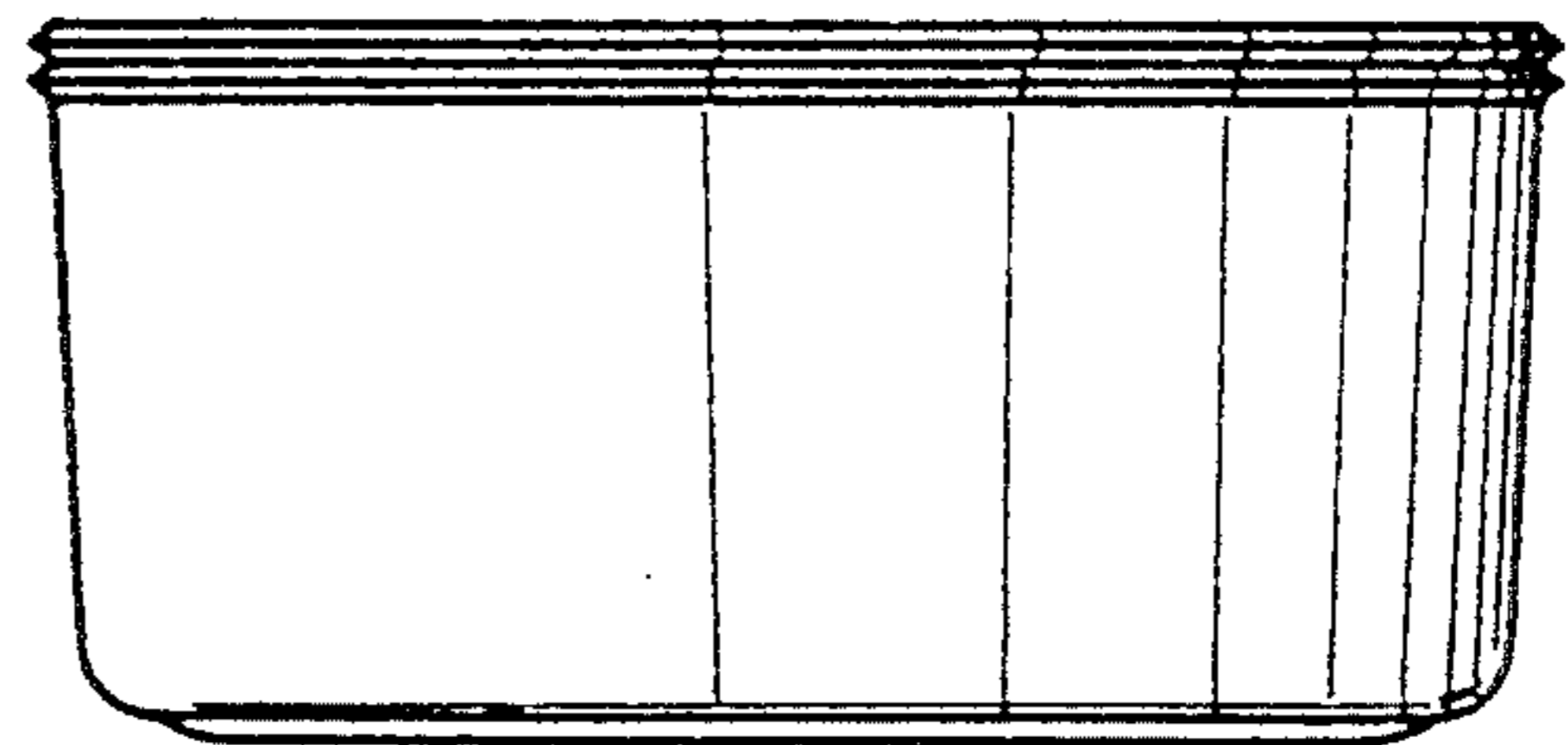
*Fig. 1*



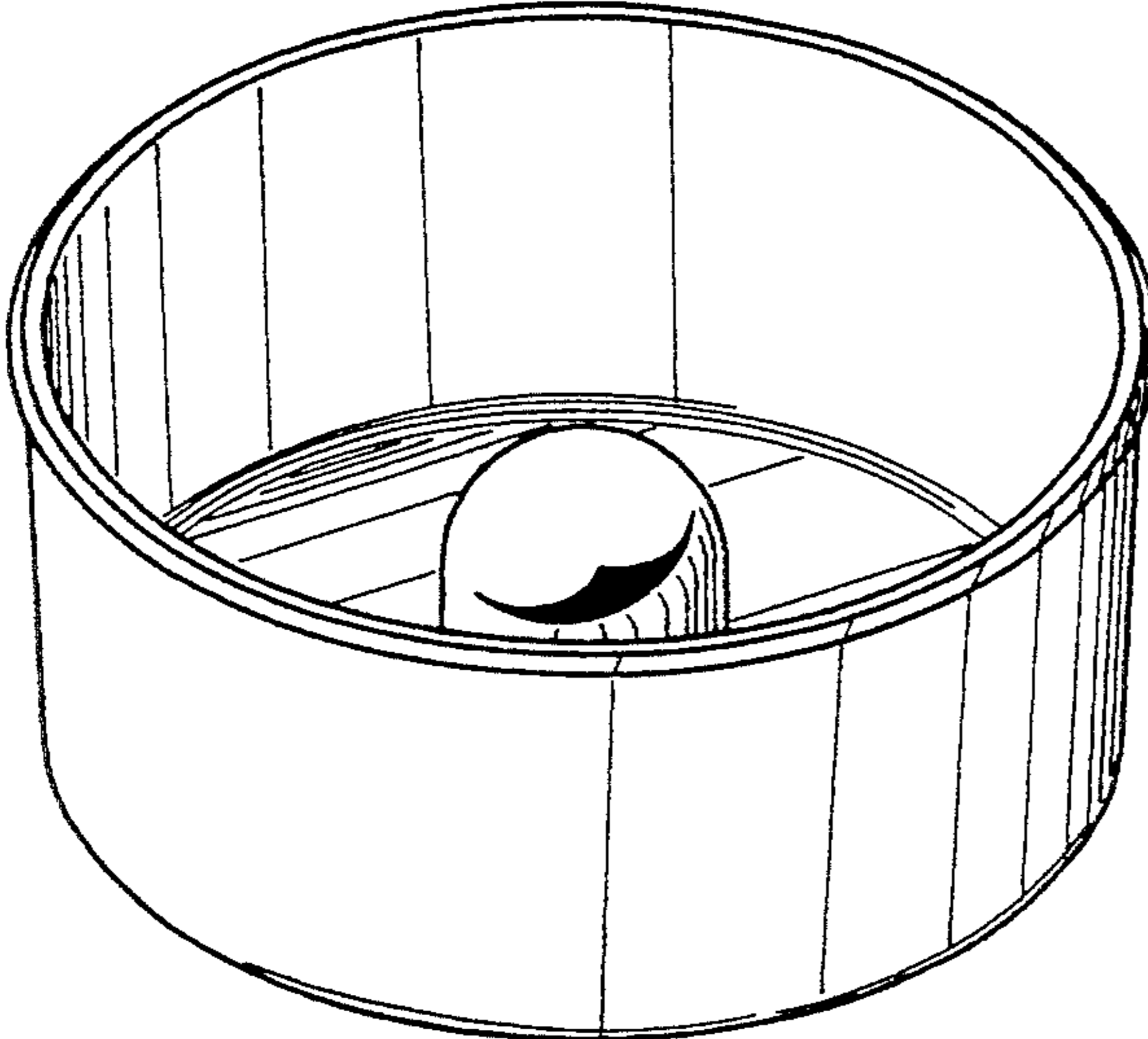
*Fig. 2*



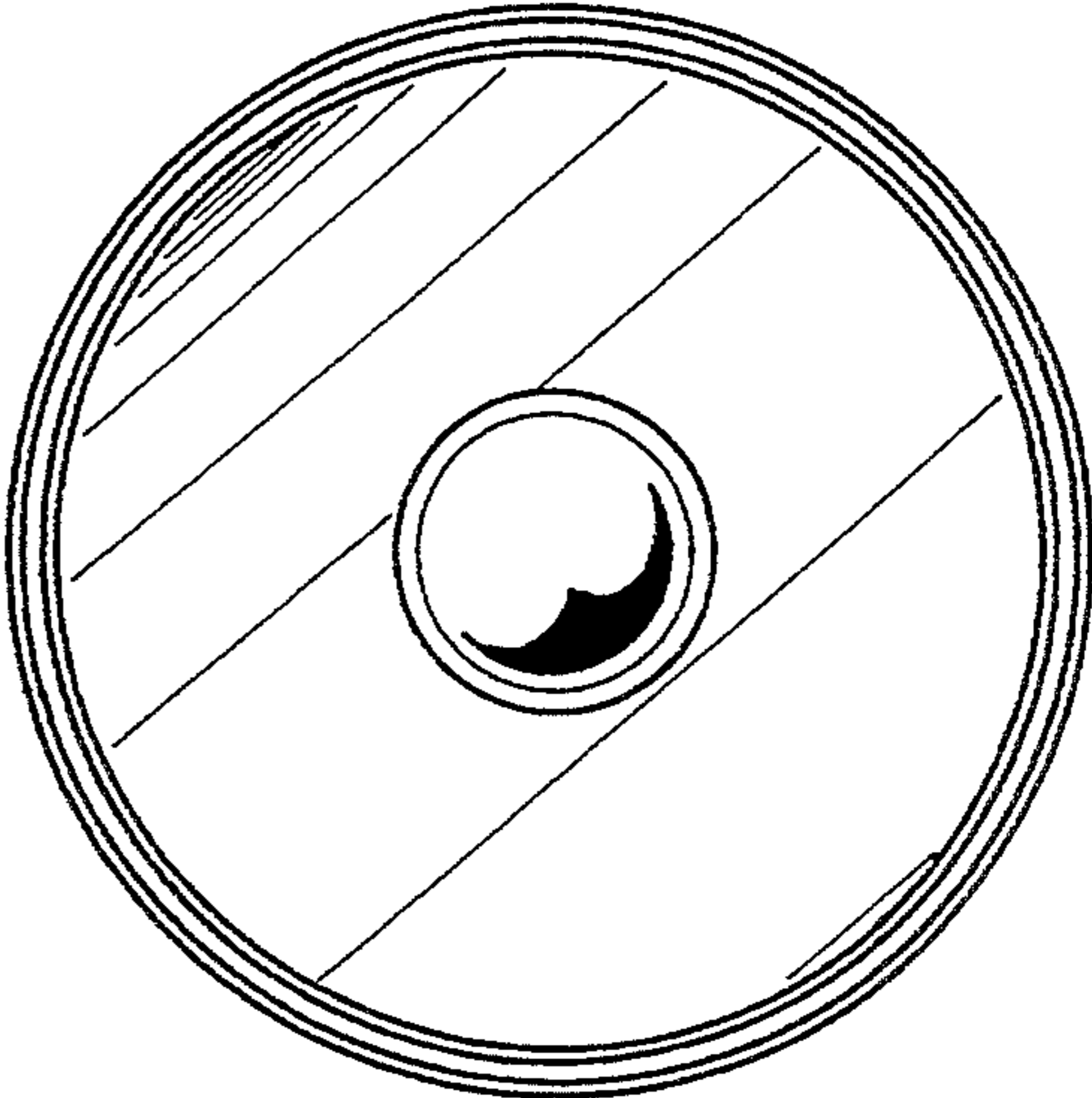
*Fig. 3*



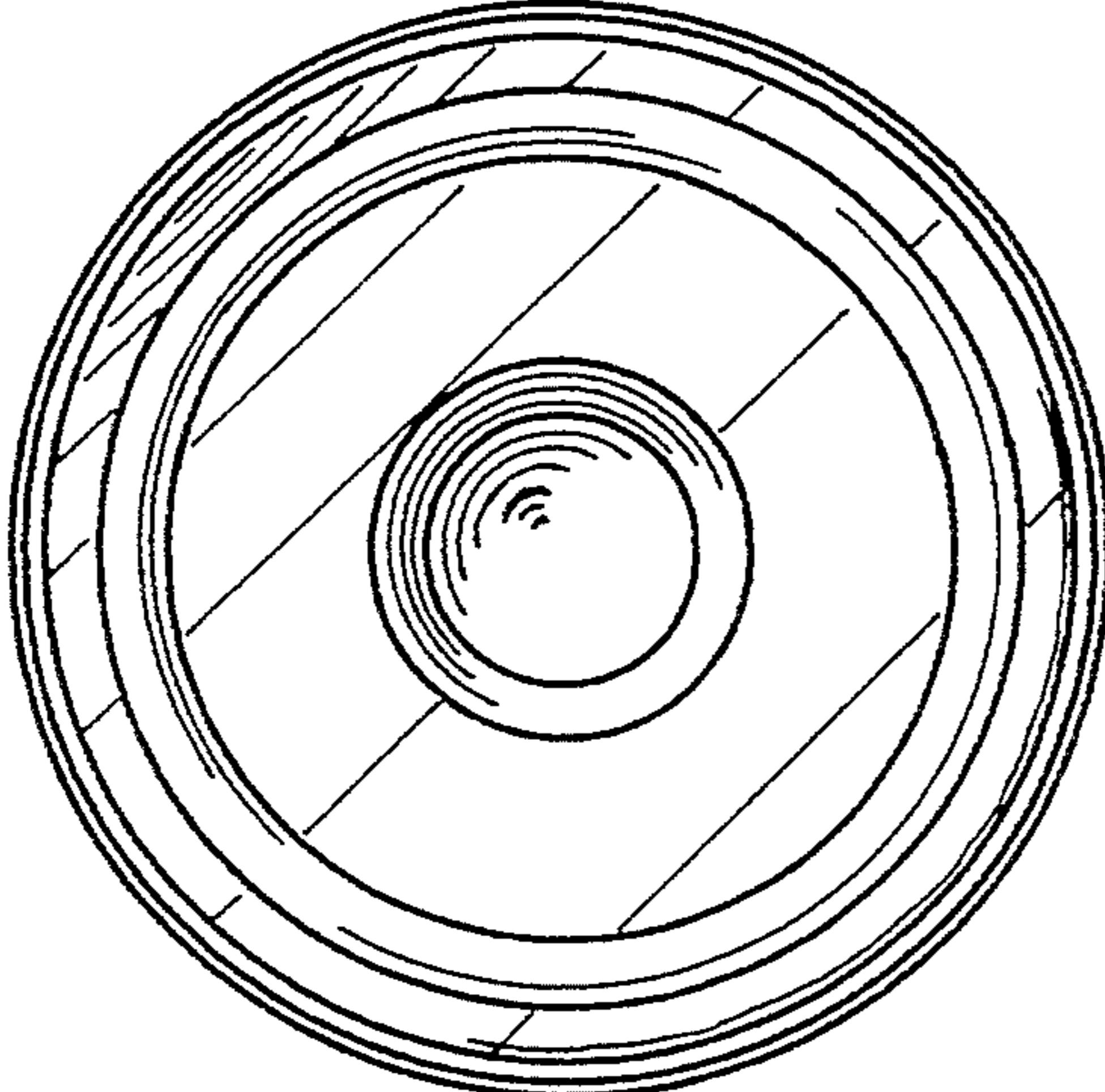
*Fig. 4*



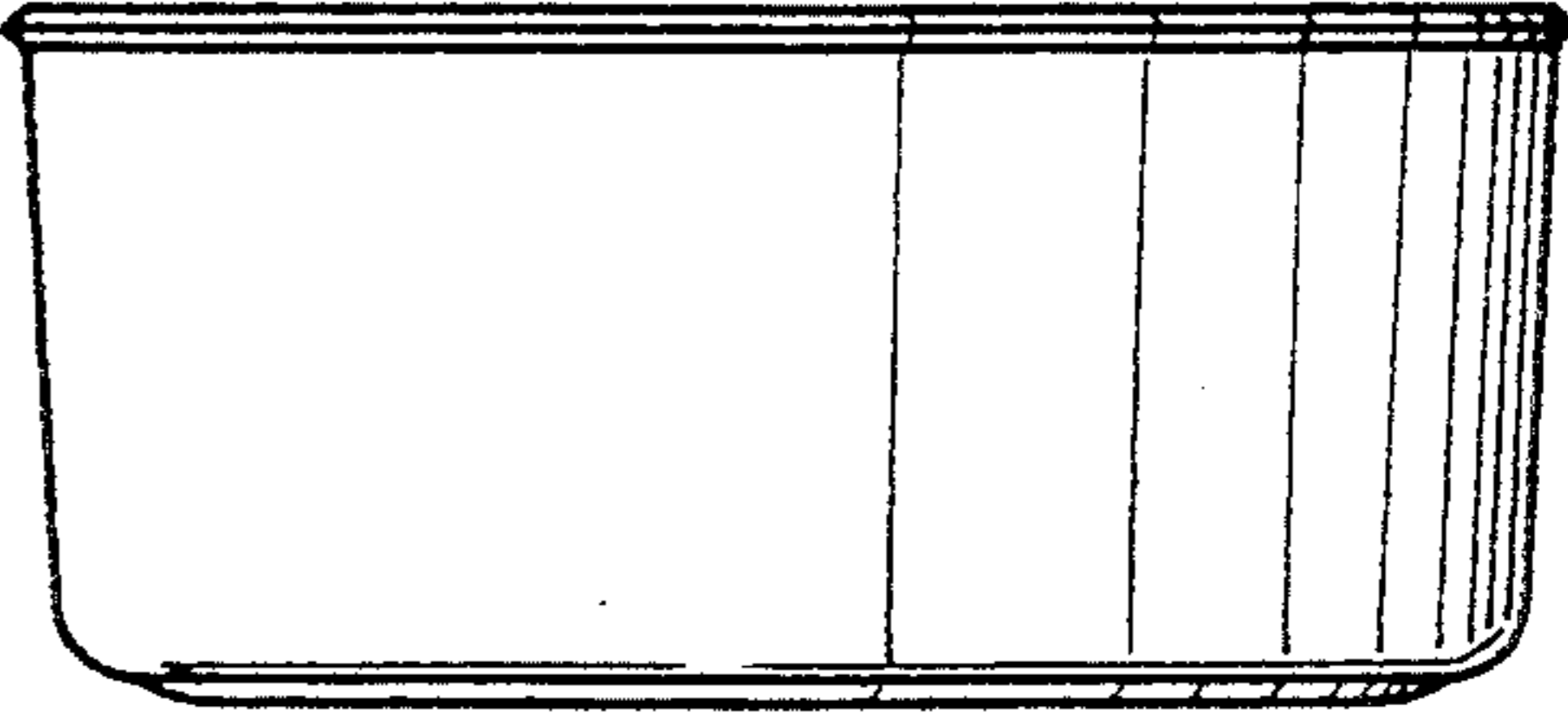
*Fig. 5*



*Fig. 6*

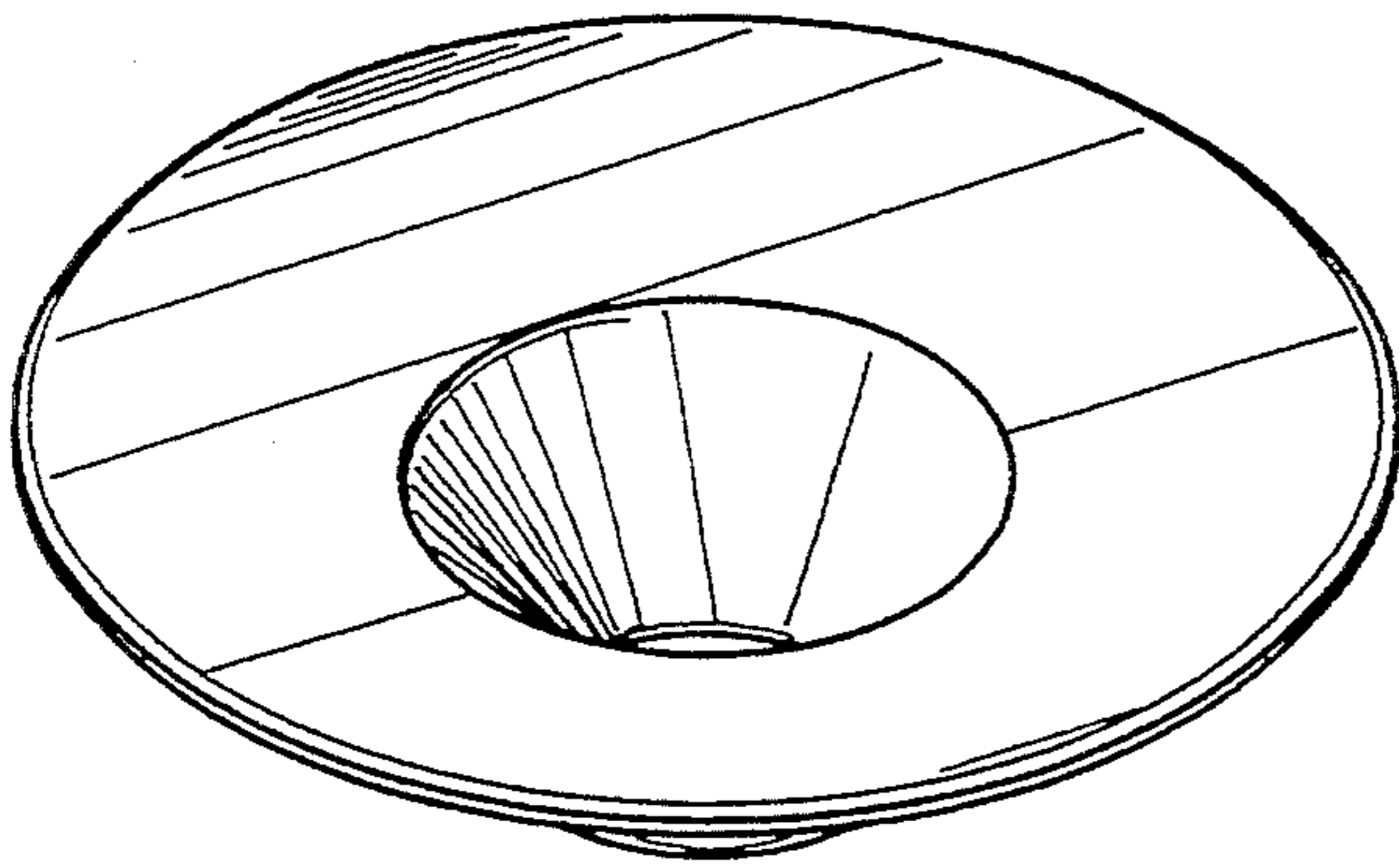


*Fig. 7*

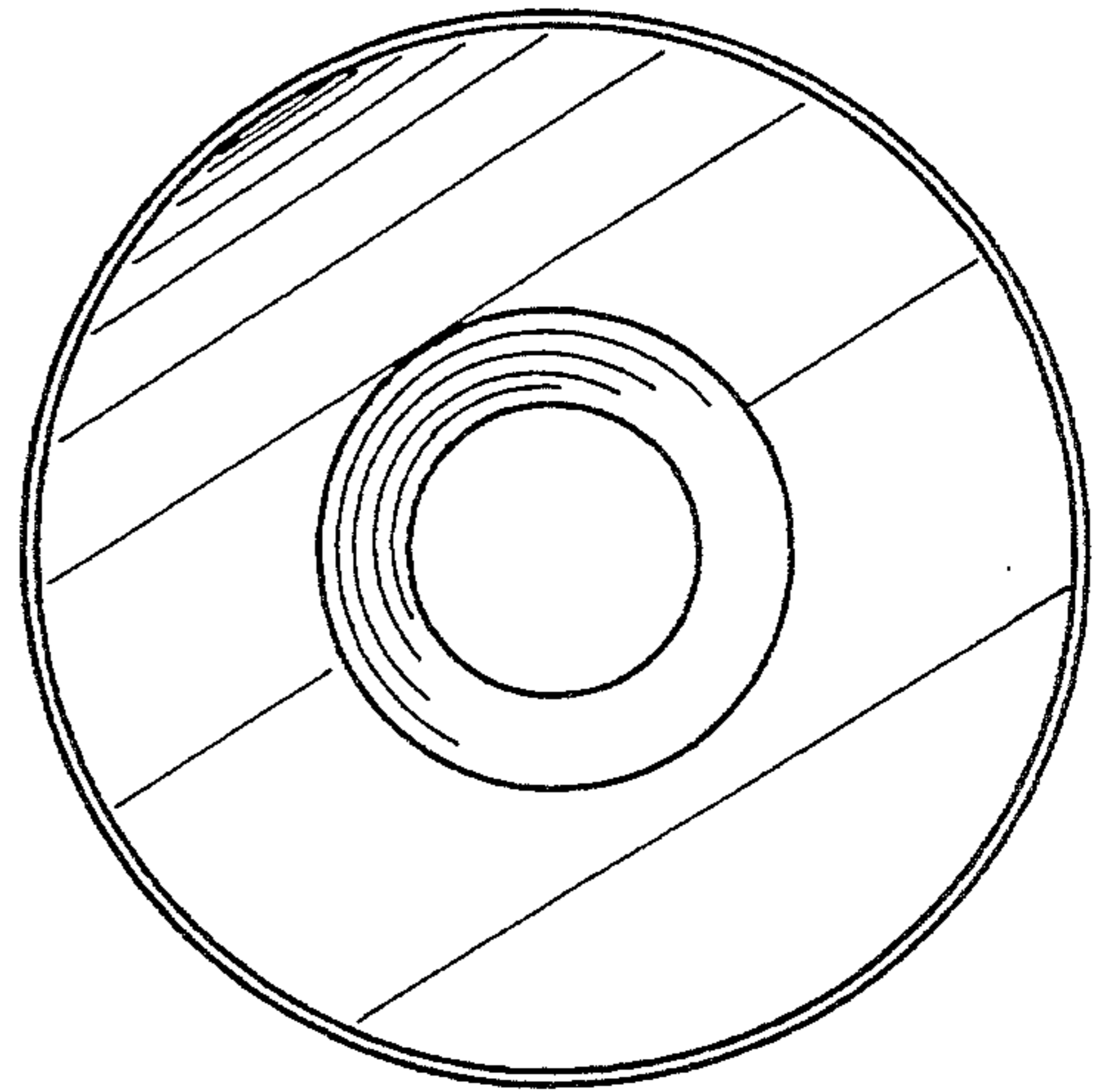


*Fig. 8*

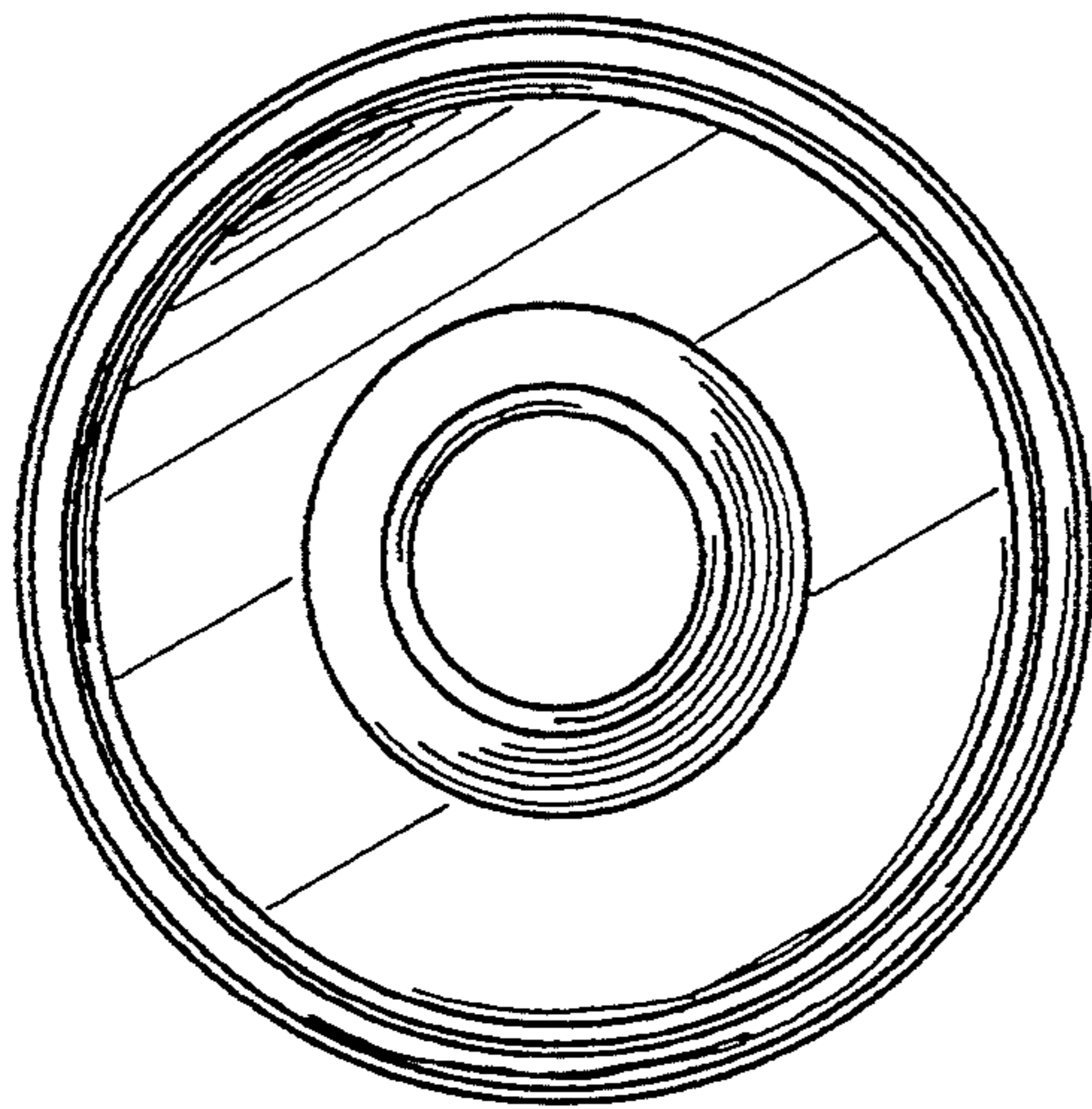




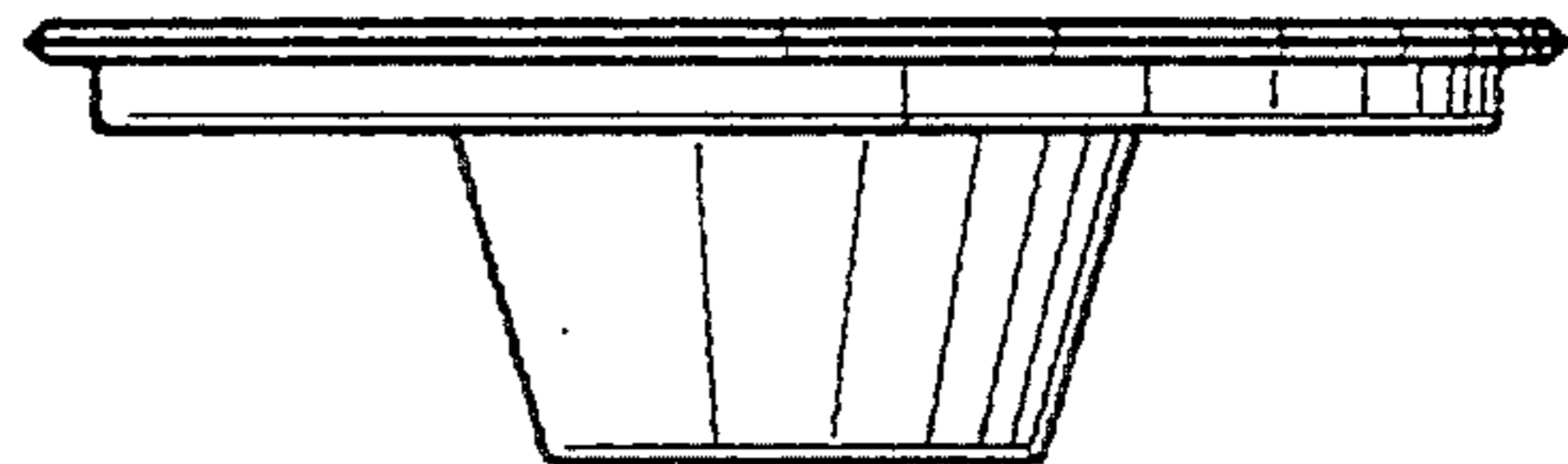
*Fig. 9*



*Fig. 10*



*Fig. 11*



*Fig. 12*