



US00D361153S

# United States Patent [19]

[11] Patent Number: **Des. 361,153**

Fernandes

[45] Date of Patent: **\*\* Aug. 8, 1995**

[54] **SUPPORT BAR FOR FLOODLIGHTS**

4,748,548 5/1988 Barton .  
5,012,398 4/1991 Jones et al. .... 362/250  
5,031,083 7/1991 Claesson .

[76] Inventor: **Mark Fernandes**, P.O. Box 197164,  
Louisville, Ky. 40259

**FOREIGN PATENT DOCUMENTS**

[\*\*] Term: **14 Years**

0215753 3/1987 European Pat. Off. .... 439/112

[21] Appl. No.: **6,366**

*Primary Examiner*—Susan J. Lucas  
*Attorney, Agent, or Firm*—Middleton & Reutlinger;  
David W. Carrithers

[22] Filed: **Mar. 25, 1993**

[52] U.S. Cl. .... **D26/138; D13/155;**  
D26/63

[58] **Field of Search** ..... D26/61, 63, 65, 118,  
D26/138, 140; 362/147, 269, 271, 275, 418, 419,  
427, 238, 240, 249, 250; D13/155; 52/28, 220.1,  
731.1, 732.1

[57] **CLAIM**

The ornamental design for a support bar for floodlights,  
as shown and described.

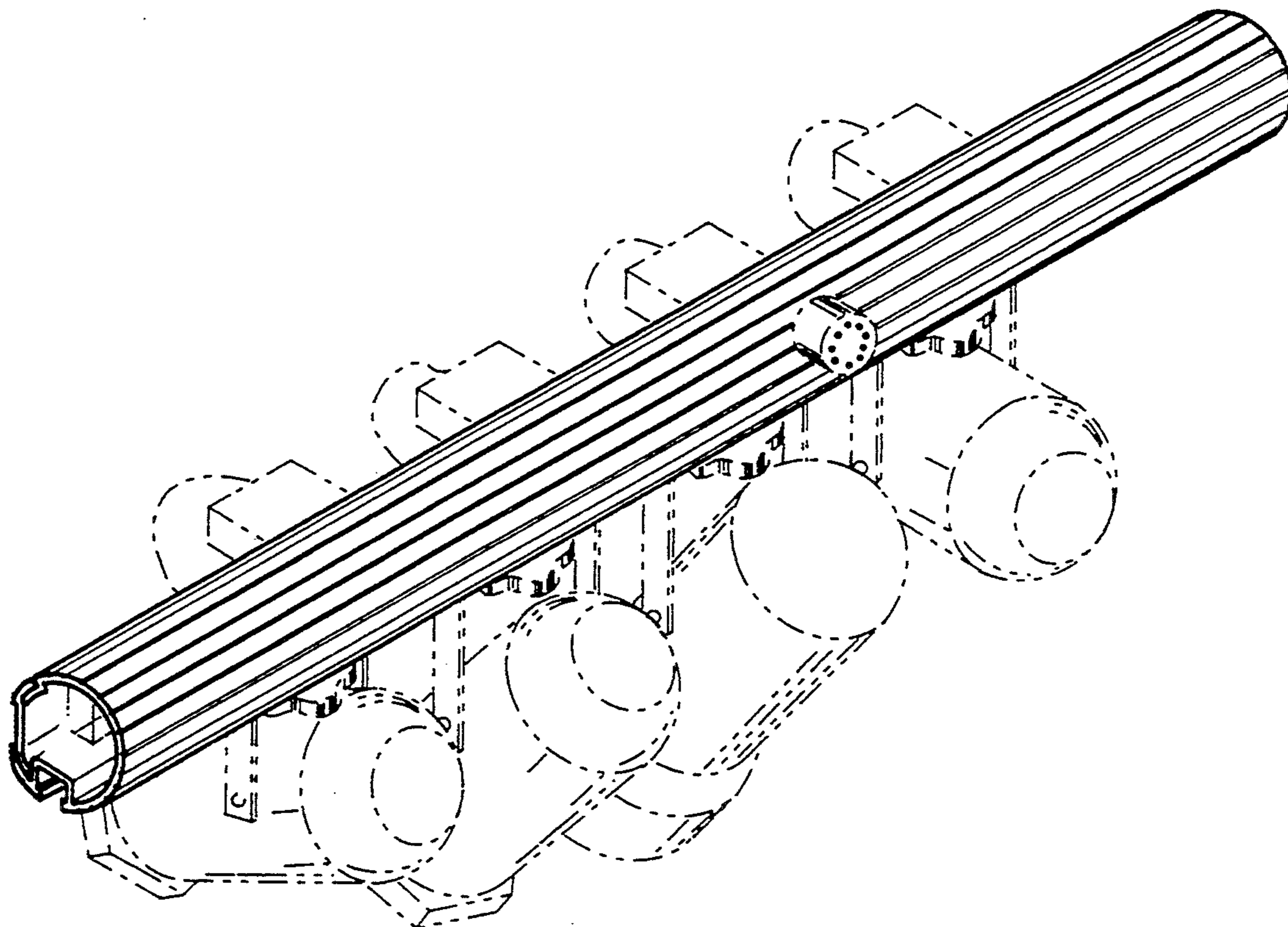
**DESCRIPTION**

[56] **References Cited**

**U.S. PATENT DOCUMENTS**

1,962,554 6/1934 Mask .  
3,061,810 7/1960 Boyd .  
3,308,416 3/1967 Boyd .  
3,391,377 7/1968 Corl et al. .  
3,801,951 4/1974 Kemmerer et al. .  
4,655,520 4/1987 Cummings .

FIG. 1 is a perspective view of a support bar for floodlights showing my new design;  
FIG. 2 is an end elevational view thereof of an enlarged scale;  
FIG. 3 is a side elevational view thereof;  
FIG. 4 is a cross-sectional view thereof on a greatly enlarged scale; and,  
FIG. 5 is a bottom plan view thereof.



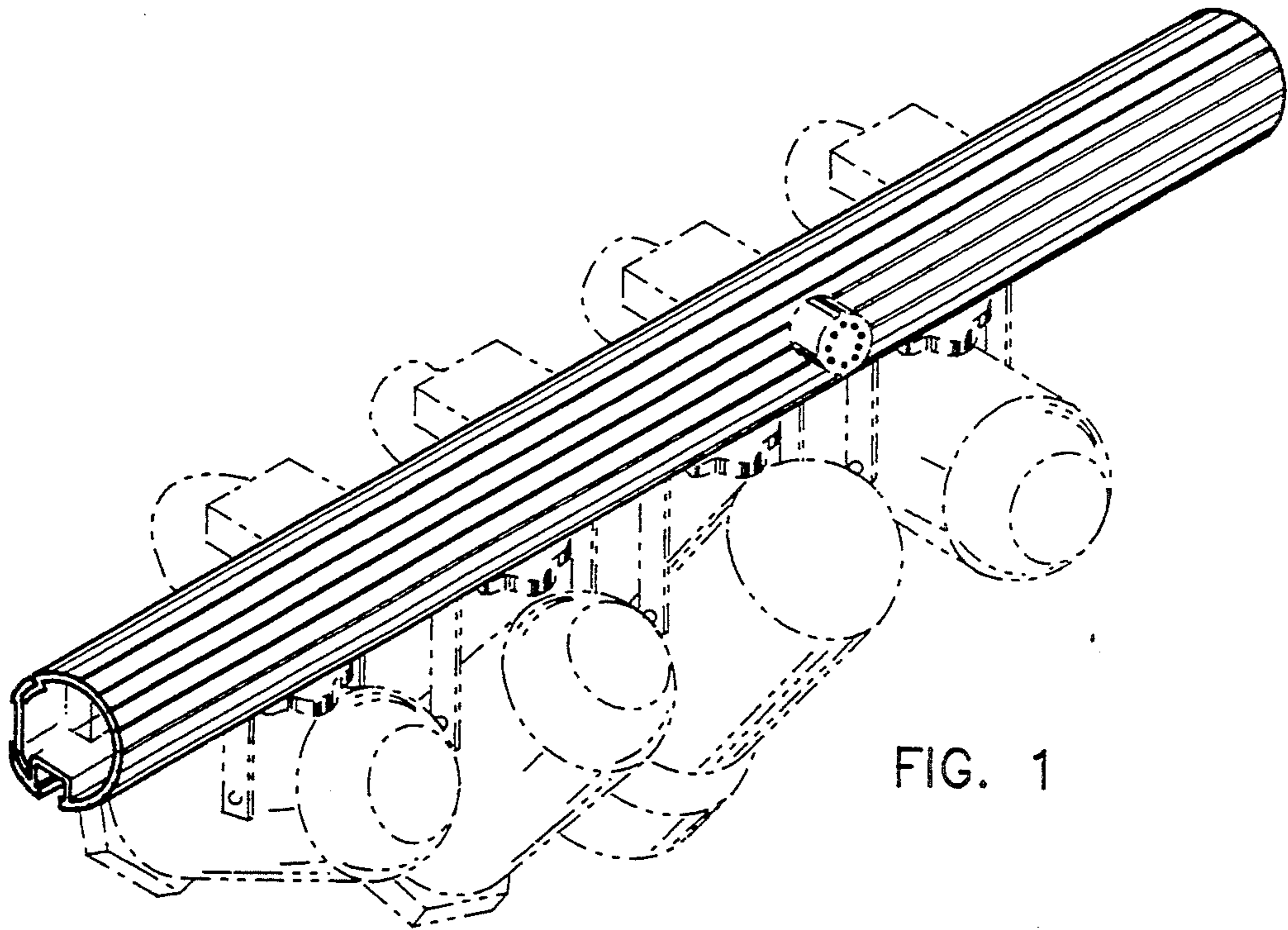


FIG. 1

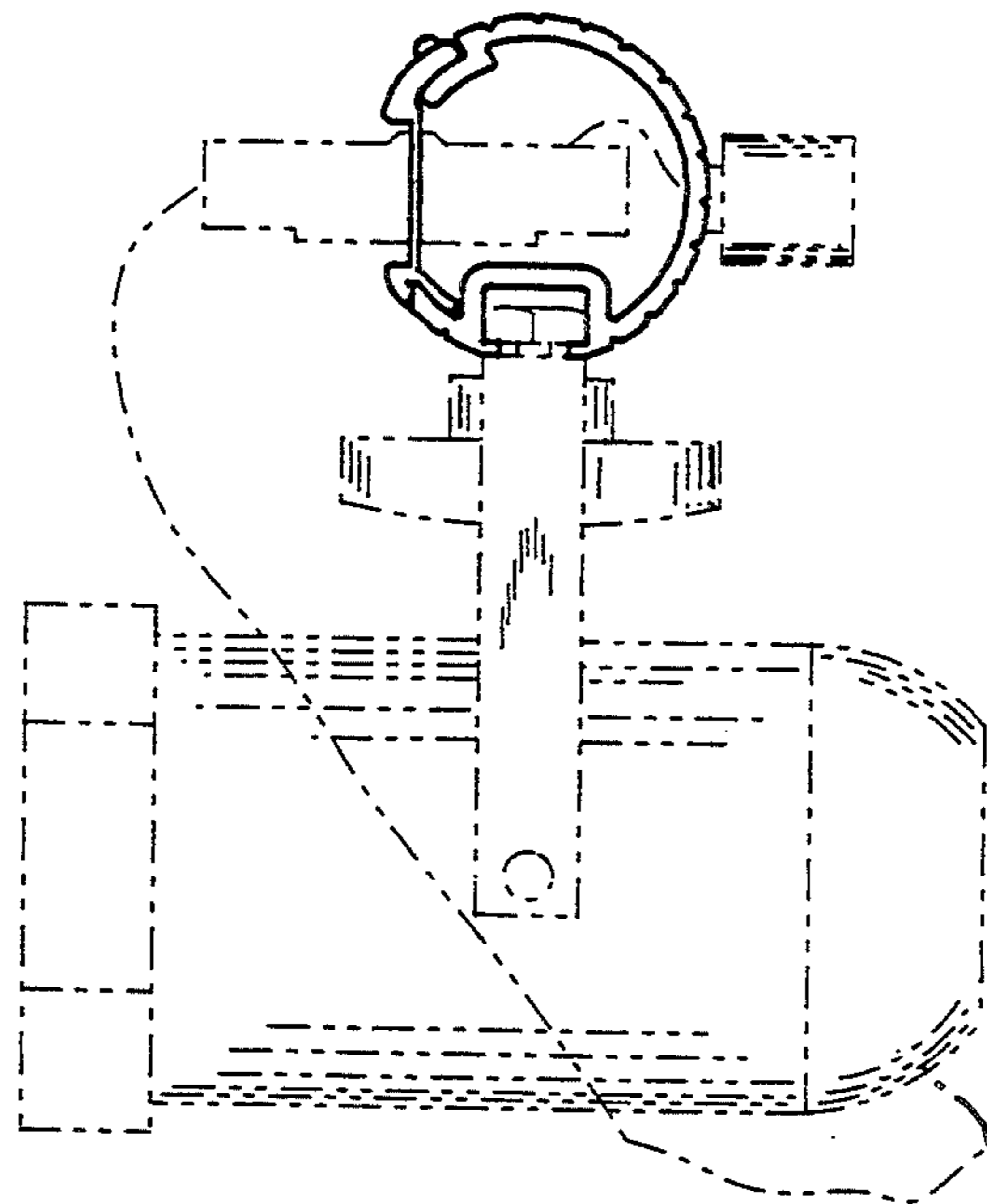


FIG. 2

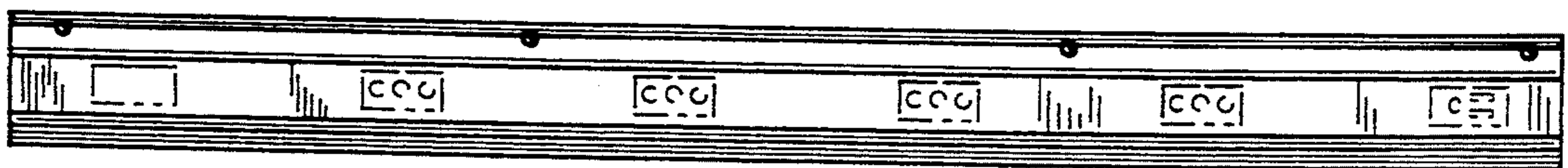


FIG. 3

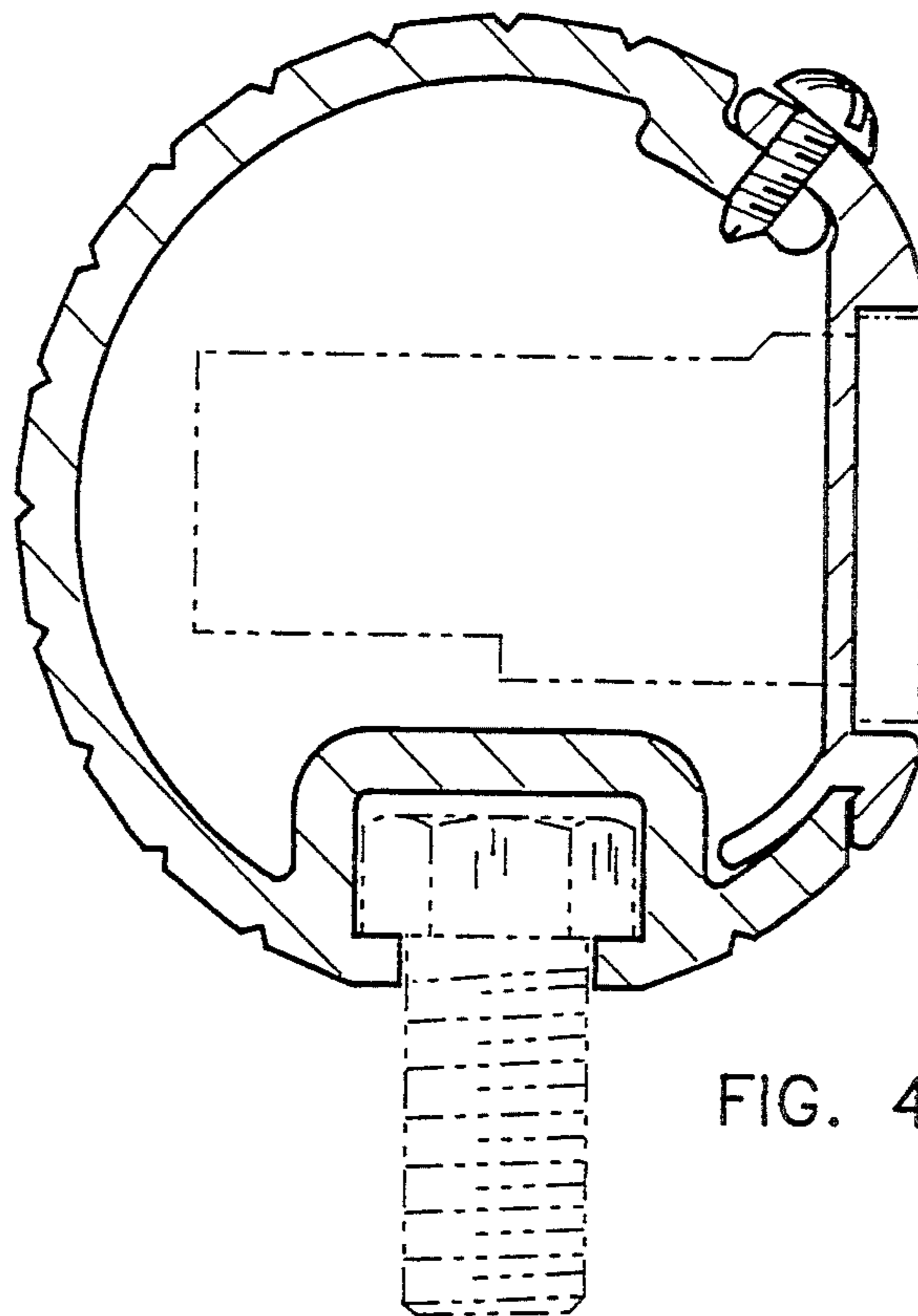


FIG. 4

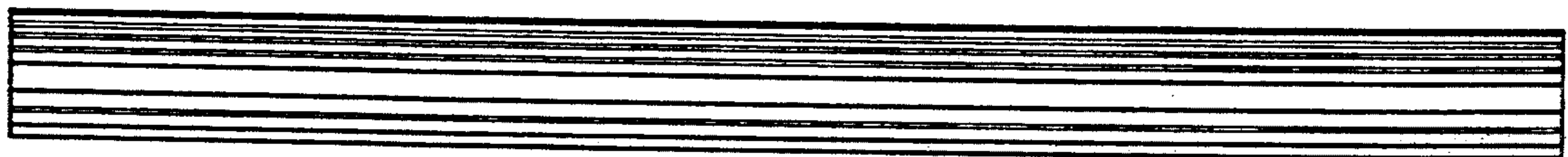


FIG. 5