



US00D361150S

United States Patent [19]

[11] Patent Number: **Des. 361,150**

Messina, Jr.

[45] Date of Patent: **** Aug. 8, 1995**

[54] **DECORATIVE EXTERIOR LAMP**

[76] Inventor: **Thomas J. Messina, Jr.**, 20 Villa Rosa Ter., Woodmont, Conn. 06460

[**] Term: **14 Years**

[21] Appl. No.: **24,108**

[22] Filed: **Jun. 8, 1994**

[52] U.S. Cl. **D26/67; D26/72**

[58] Field of Search **D26/72, 80-92, D26/67-71; 362/147, 404-408, 432, 431, 367**

[56] **References Cited**

U.S. PATENT DOCUMENTS

- D. 179,182 11/1956 Bibbs D26/67
- D. 227,925 7/1973 Husby et al. D26/67

OTHER PUBLICATIONS

Architectural Area Lighting Co. Flyer, May 19, 1976, Exterior Luminaire, #A75A-1310.

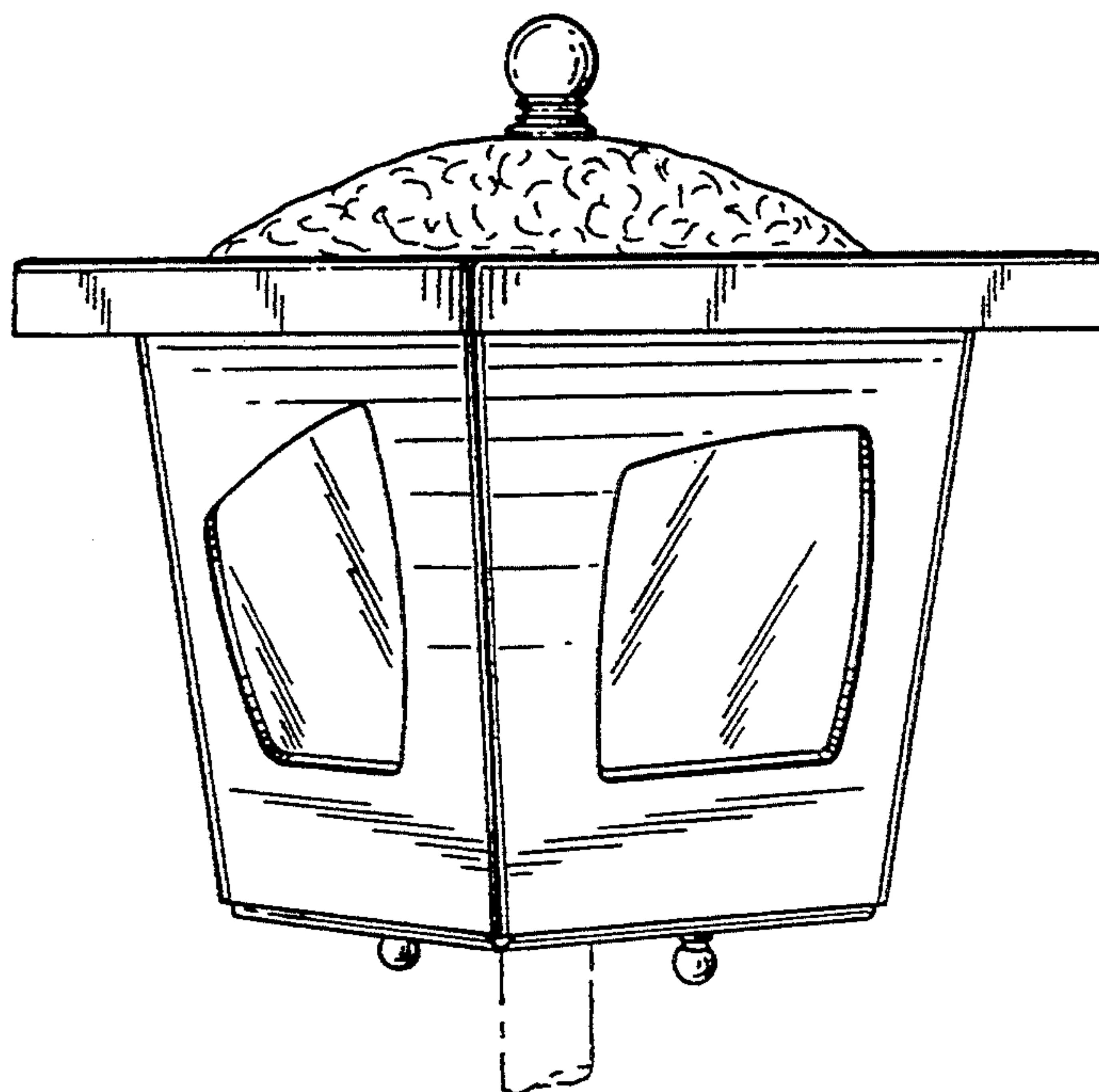
Primary Examiner—Susan J. Lucas
Attorney, Agent, or Firm—Ware, Fressola, Van Der Sluys & Adolphson

[57] **CLAIM**

The ornamental design for a decorative exterior lamp, as shown and described.

DESCRIPTION

FIG. 1 is perspective view of a decorative exterior lamp showing my new design;
 FIG. 2 is a front elevation view thereof, the rear elevation view being identical thereto;
 FIG. 3 is a top plan view thereof;
 FIG. 4 is a left side elevation view thereof, the right side elevation view being identical thereto; and,
 FIG. 5 is a bottom plan view thereof.
 The standard is shown in broken lines in FIG. 1 for illustrative purposes only and forms no part of the claimed design.



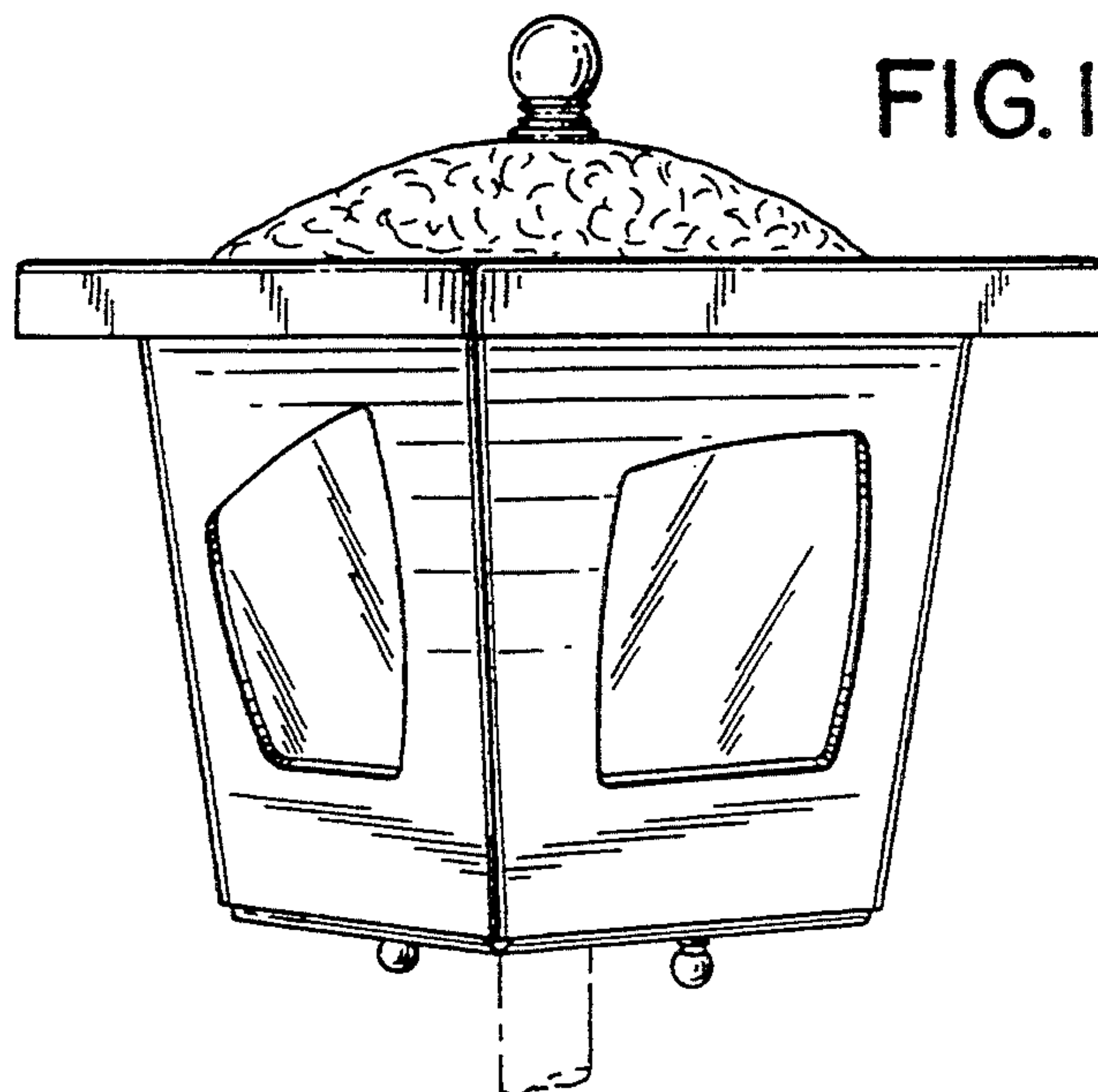


FIG. 1

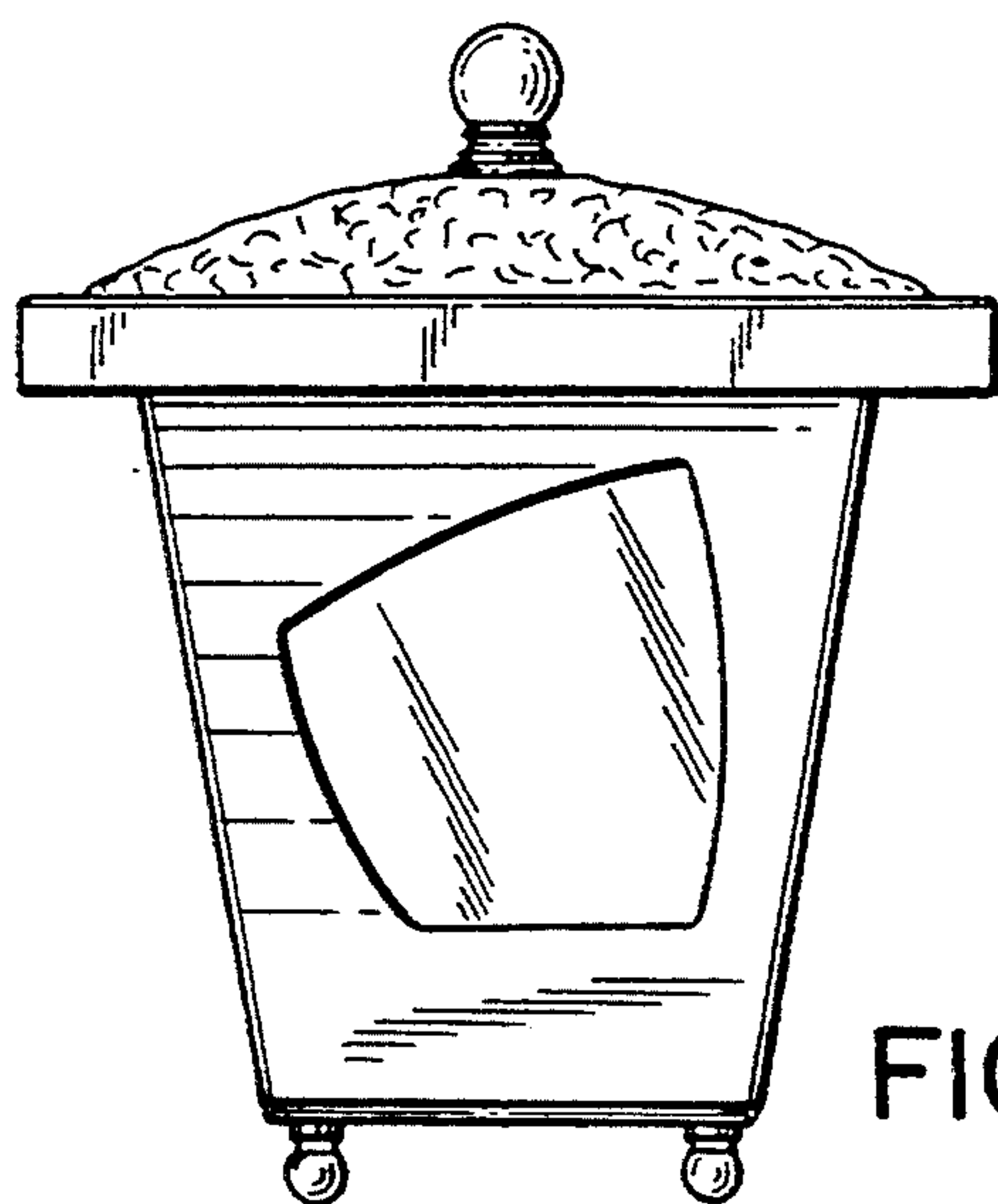


FIG. 2

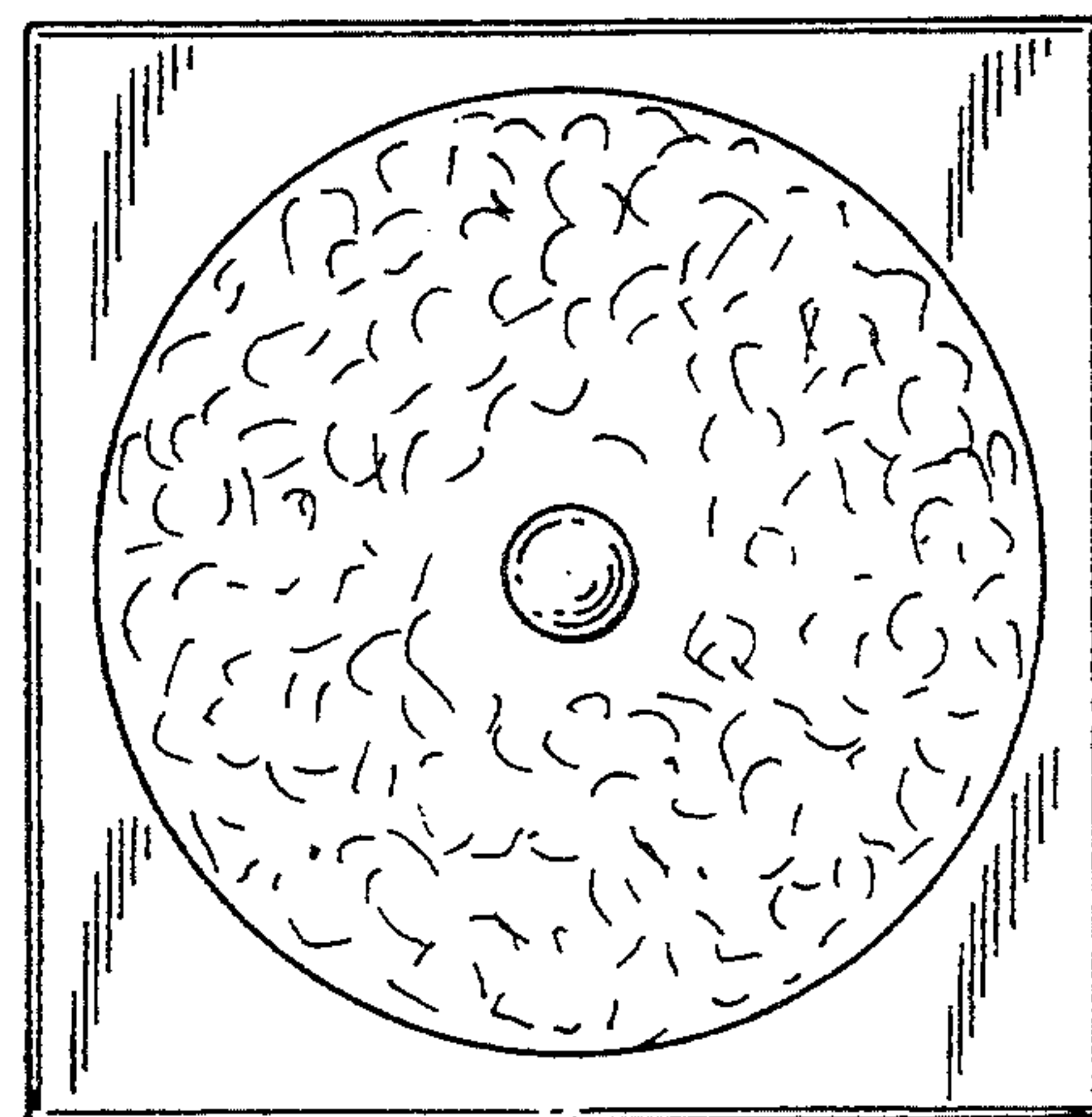


FIG. 3

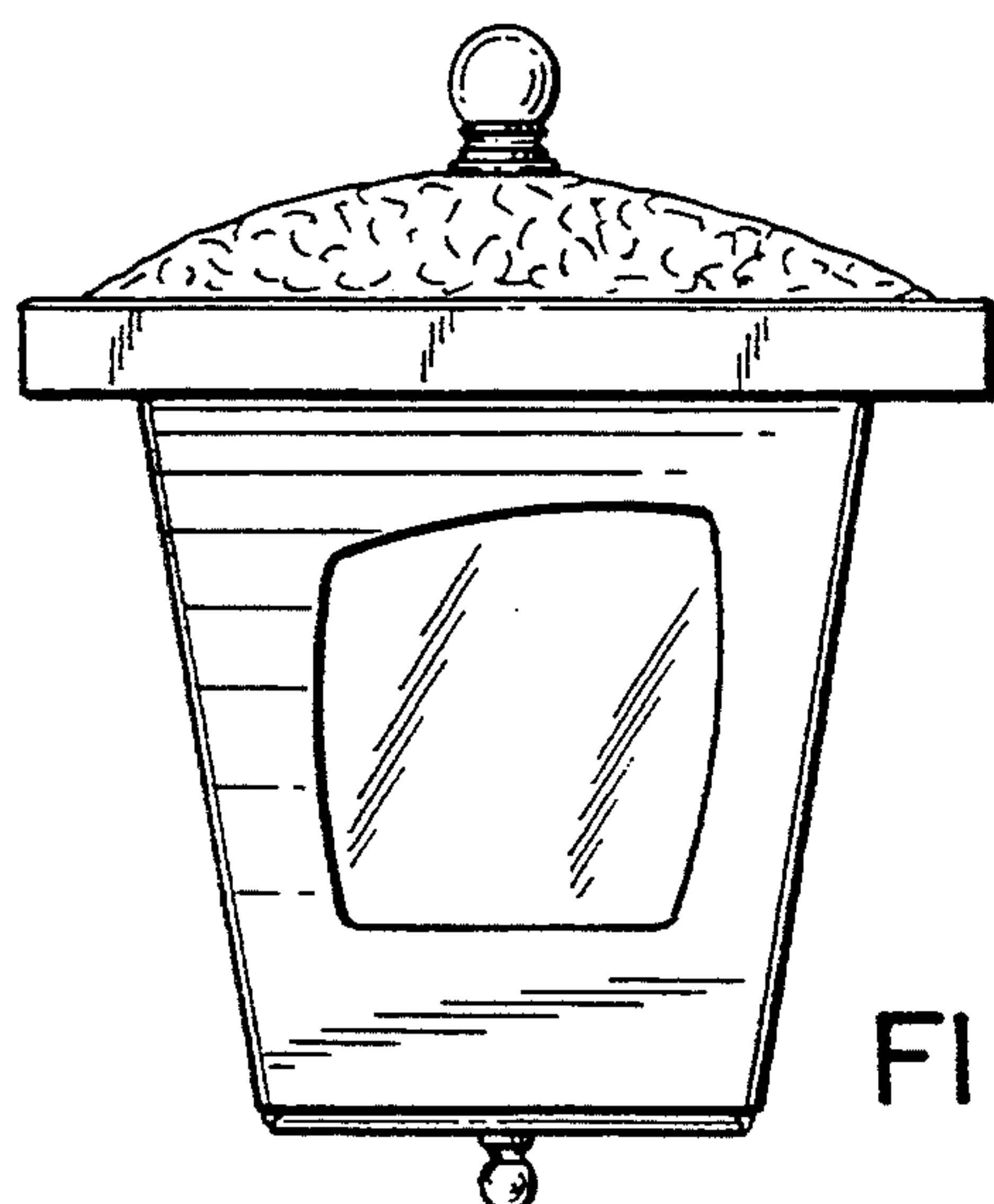


FIG. 4

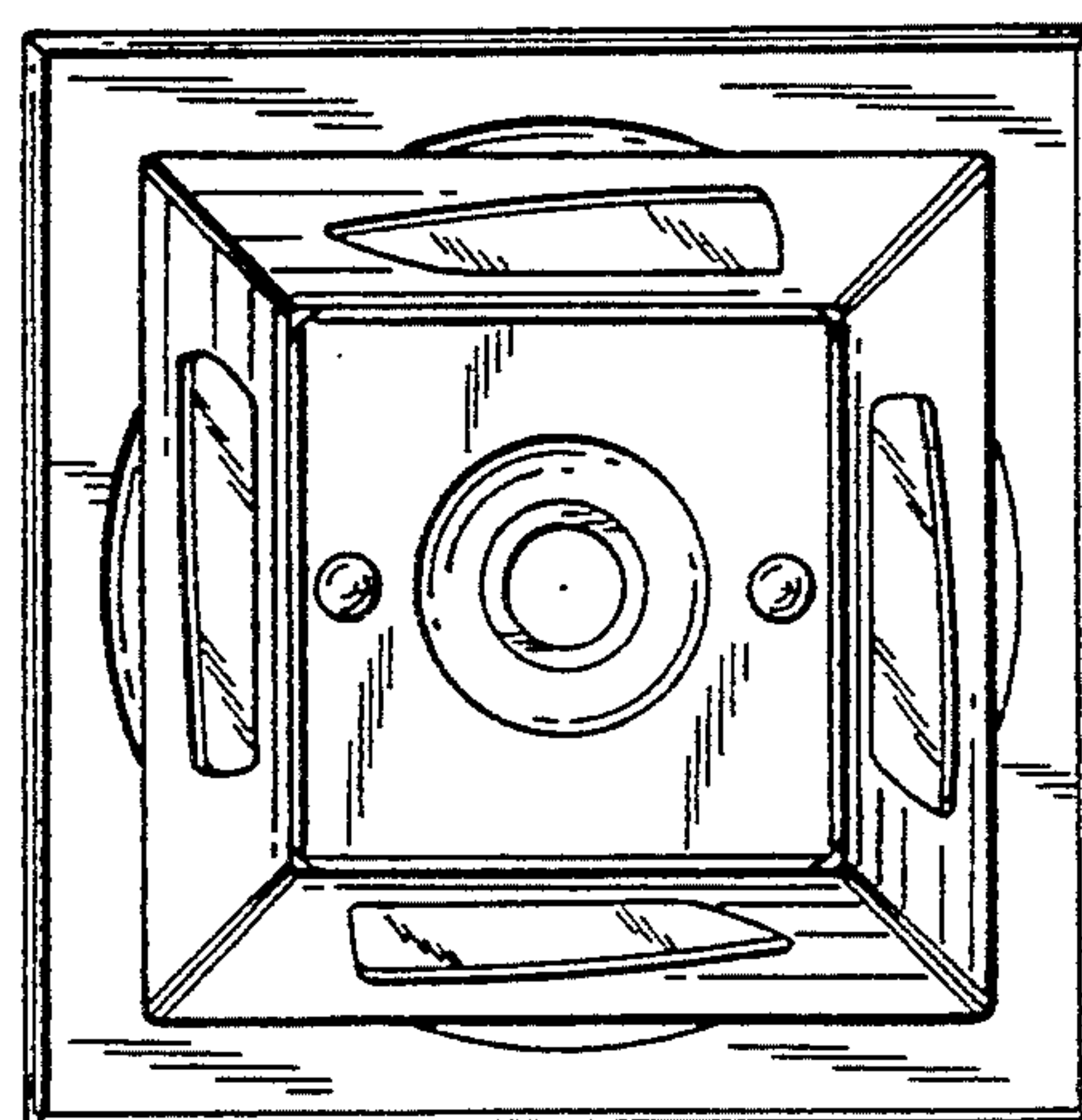


FIG. 5